

5 Port Solenoid Valve

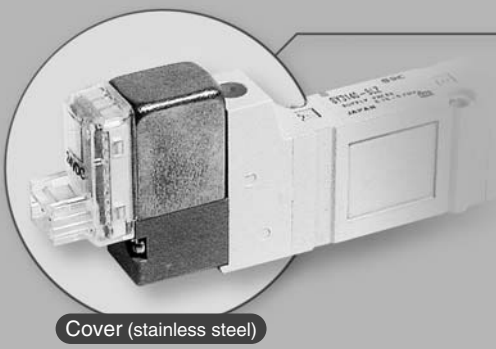
Series SY3000/5000/7000/9000

Rubber Seal

Power Consumption
0.1 W
With Power Saving Circuit



- SJ
- SY**
- SV
- SYJ
- SZ
- VP4
- S0700
- VQ
- VQ4
- VQ5
- VQC
- VQZ
- SQ
- VFS
- VFR
- VQ7



- **Improved pilot valve**
Pilot valve cover is stronger using stainless steel.
Mounting thread is also reinforced from size M1.7 to M2.

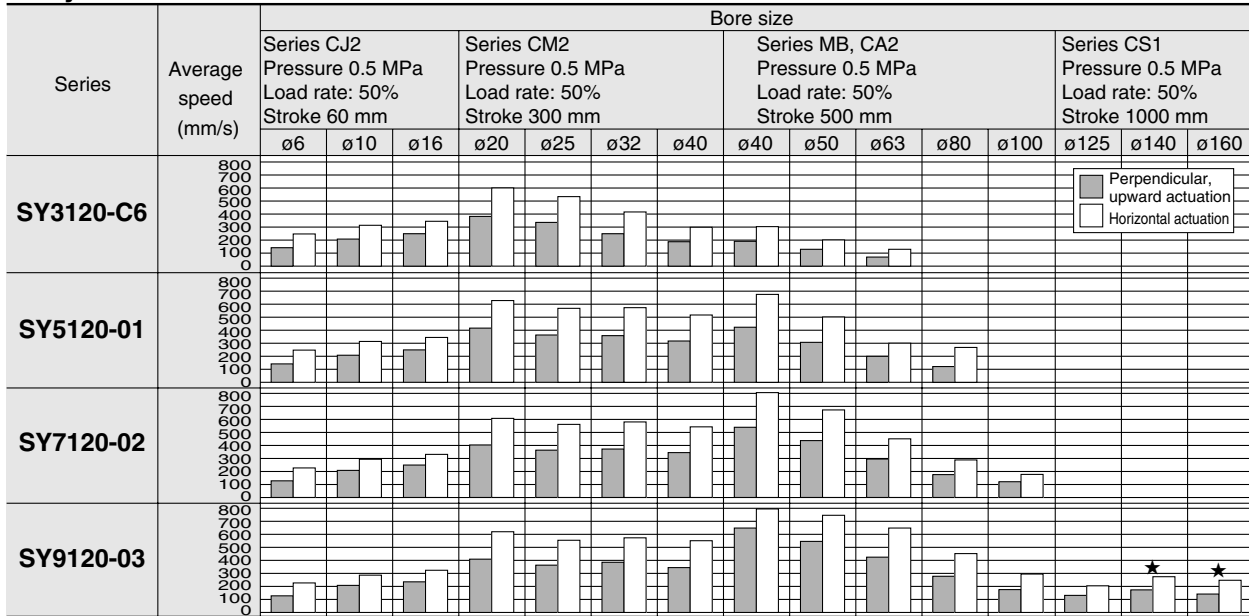
• **Flow Characteristics**

Series	Flow characteristics		
	C [dm ³ /(s·bar)]	b	Cv
SY3000	1.1	0.28	0.29
SY5000	2.8	0.37	0.90
SY7000	4.5	0.28	1.4
SY9000	10	0.29	2.5

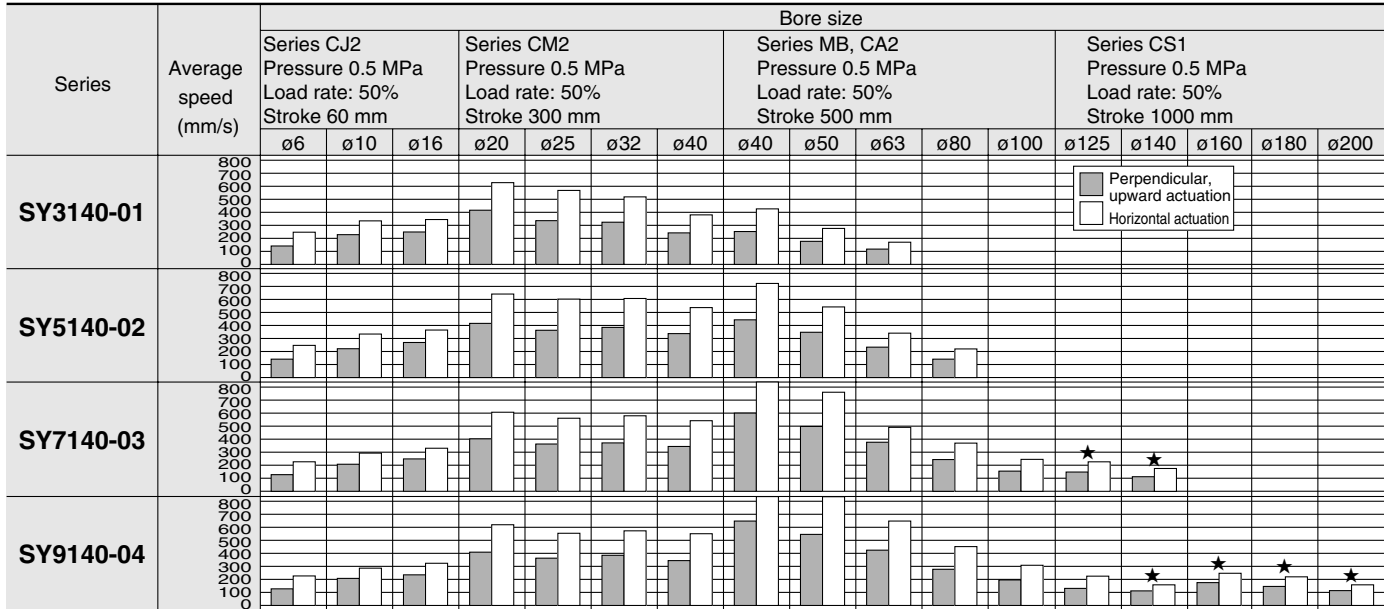
Cylinder Speed Chart

Use as a guide for selection.
Please confirm the actual conditions with SMC Sizing Program.

Body Ported



Base Mounted



- * Cylinder is in extending. Speed controller is meter-out, which is directly connected with cylinder and its needle is fully opened.
- * Average speed of cylinder is obtained by dividing the full stroke time by the stroke.
- * Load factor: $(\text{Load weight} \times 9.8) / \text{Theoretical force} \times 100\%$
- * The histograms with ★ marked are the case when piping is done by using steel.

Conditions

	Body ported	Series CJ2	Series CM2	Series MB, CA2	Series CS1
SY3120-C6	Tubing bore x Length	T0604 x 1 m		-	
	Speed controller	AS2051F-06		-	
	Silencer	AN120-M5		-	
SY5120-01	Tubing bore x Length	T0604 x 1 m	T0806 x 1 m		-
	Speed controller	AS3001F-06	AS3001F-08		-
	Silencer	AN101-01		-	
SY7120-02	Tubing bore x Length	T0604 x 1 m	T1075 x 1 m		-
	Speed controller	AS3001F-06	AS4001F-10		-
	Silencer	AN110-01		-	
SY9120-03	Tubing bore x Length	T0604 x 1 m	T1075 x 1 m	T1209 x 1 m	
	Speed controller	AS3001F-06	AS4001F-10	AS4001F-12	
	Silencer	AN200-02		AN202-02	

Conditions [When using SGP (steel pipe)]

	Body ported	Series CS1
SY9120-03	Tubing bore x Length	SGP10A x 1 m
	Speed controller	AS420-03
	Silencer	AN200-02

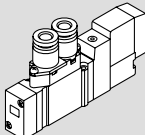
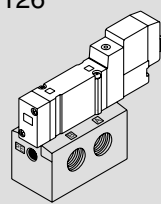
Conditions

	Base mounted	Series CJ2	Series CM2	Series MB, CA2	Series CS1
SY3140-01	Tubing bore x Length	T0604 x 1 m		-	
	Speed controller	AS3001F-06		-	
	Silencer	AN110-01		-	
SY5140-02	Tubing bore x Length	T0604 x 1 m	T0806 x 1 m		-
	Speed controller	AS3001F-06	AS3001F-08		-
	Silencer	AN101-01		-	
SY7140-03	Tubing bore x Length	T0604 x 1 m	T1075 x 1 m	T1209 x 1 m	
	Speed controller	AS3001F-06	AS4001F-10		-
	Silencer	AN200-02		-	
SY9140-04	Tubing bore x Length	T0604 x 1 m	T1075 x 1 m	T1209 x 1 m	
	Speed controller	AS3001F-06	AS4001F-10	AS4001F-12	
	Silencer	AN200-02		-	

Conditions [When using SGP (steel pipe)]

	Base mounted	Series CS1
SY7140-03	Tubing bore x Length	SGP10A x 1 m
	Speed controller	AS420-03
	Silencer	AN300-03
SY9140-04	Tubing bore x Length	SGP15A x 1 m
	Speed controller	AS420-04
	Silencer	AN400-04

Valve Variations

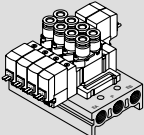
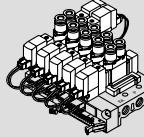
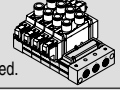
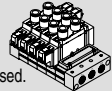
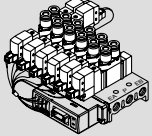
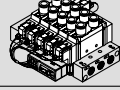
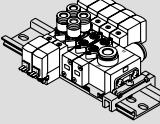
	Series	Sonic conductance C [dm ³ /(s·bar)] { 4/2→5/3 } { (A/B→EA/EB) }	Actuation					Voltage		Electrical entry					Light/surge voltage suppressor
			2 position		3 position			DC 24 V 12 V 6 V 5 V 3 V	AC 100 V 50/60 Hz 110 V 50/60 Hz 200 V 50/60 Hz 220 V 50/60 Hz	Grommet	L plug connector	M plug connector	DIN terminal	M8 connector	
			Single	Double	Closed center	Exhaust center	Pressure center								
Body ported	P.108 	SY3 □ 20	0.65	●	●	●	●	●	●	●	●	●	●	●	
		SY5 □ 20	2.4	●	●	●	●	●	●	●	●	●	●	●	
		SY7 □ 20	3.3	●	●	●	●	●	●	●	●	●	●	●	
		SY9 □ 20	8.6	●	●	●	●	●	●	●	●	●	●	●	
Base mounted	P.126 	SY3 □ 40	1.1	●	●	●	●	●	●	●	●	●	●	●	
		SY5 □ 40	2.8	●	●	●	●	●	●	●	●	●	●	●	
		SY7 □ 40	4.5	●	●	●	●	●	●	●	●	●	●	●	
		SY9 □ 40	10	●	●	●	●	●	●	●	●	●	●	●	

- SJ
- SY**
- SV
- SYJ
- SZ
- VP4
- S0700
- VQ
- VQ4
- VQ5
- VQC
- VQZ
- SQ
- VFS
- VFR
- VQ7

Series	Manual override			Bracket	P, EA, EB port size					A, B port size								Valve option									
	Non-locking push type	Push-turn locking slotted type	Push-turn locking lever type		M5	1/8	1/4	3/8	1/2	M5	1/8	1/4	3/8	1/2	One-touch fitting				Exhaust throttle	Oil resistant, Other than designated turbine oil	Vacuum specifications	Low pressure specifications	Dual pressure	Enclosure IP65	Interface regulator		
															C4	C6	C8	C10								C12	N3
Body ported	SY3 □ 20	●	●	●	●	—	—	—	—	●	—	—	—	—	●	●	—	—	—	—	●	▲	▲	▲	▲	●	—
	SY5 □ 20	●	●	●	●	—	●	—	—	—	●	—	—	—	●	●	—	—	●	●	●	—	—	—	—	—	—
	SY7 □ 20	●	●	●	●	—	●	●	—	—	—	●	—	—	●	●	—	—	—	—	●	●	—	—	—	—	—
	SY9 □ 20	●	●	●	—	—	—	●	—	—	—	●	●	—	—	●	●	—	—	—	—	●	●	—	—	—	—
Base mounted	SY3 □ 40	●	●	●	—	—	●	—	—	—	●	—	—	—	—	—	—	—	—	—	●	▲	●	●	●	●	—
	SY5 □ 40	●	●	●	—	—	—	●	—	—	—	—	—	—	—	—	—	—	—	—	●	▲	●	●	●	●	—
	SY7 □ 40	●	●	●	—	—	—	●	●	—	—	●	●	—	—	—	—	—	—	—	●	▲	●	●	●	●	—
	SY9 □ 40	●	●	●	—	—	—	●	●	—	—	●	●	—	—	—	—	—	—	—	●	▲	●	●	●	●	—

● Standard ● Option ▲ Made to order (Refer to page "Made to Order".)
 Note 1) All AC voltage models have built-in surge voltage suppressor.
 Note 2) Body ported external pilot style (made to order) is not available for DIN terminal.
 Note 3) Only available for DIN terminal and M8 connector.
 Note 4) SY3000 does not have a DIN terminal which can be connected to a manifold.

Manifold Variations

Manifold Variations		Valve Series	Wiring										
			Connection							Common specifications			
			Individual wiring	Flat ribbon cable (26 pins)	Flat ribbon cable (20 pins) connector box	Plug-in type D-sub connector (25 pins)	Plug-in type flat ribbon cable (26, 20, 10 pins)	Plug-in type terminal block (9, 18 pins)	PC wiring	Serial transmission unit	Positive common	Negative common	
Body ported	Bar stock type Individual wiring ■ Direct piping to the main unit of a valve. Combination of different fittings is possible. 	Type 20 P. 144	SY3□20	●	—	—	—	—	—	—	—	—	—
			SY5□20	—	—	—	—	—	—	—	—	—	—
			SY7□20	—	—	—	—	—	—	—	—	—	—
	Bar stock type Flat ribbon cable ■ A 26 pins MIL connector permits One-touch wiring of external cables in a bundle. 	Type 20P P. 154	SY3□20	—	●	—	—	—	—	—	—	●	In common
			SY5□20	—	—	—	—	—	—	—	—	—	
			SY7□20	—	—	—	—	—	—	—	—	—	
	Stacking type Individual wiring ■ Manifold stations can be increased or decreased. 	Type 23 P. 150	SY9□20	●	—	—	—	—	—	—	—	—	—
		Stacking type Flat ribbon cable ■ Manifold stations can be increased or decreased. 	Type 23P P. 160	SY9□20	—	●	—	—	—	—	—	—	●
	Bar stock type EX510 gateway system ■ Can be used with a serial transmission system. 	Type 20SA P. 164	SY3□20	—	—	—	—	—	—	—	●	—	—
			SY5□20	—	—	—	—	—	—	—	—	—	—
			SY7□20	—	—	—	—	—	—	—	—	—	—
Stacking type EX510 gateway system ■ Can be used with a serial transmission system. 	Type 23SA P. 170	SY9□20	—	—	—	—	—	—	—	●	—	—	
Cassette type Individual wiring ■ Size and weight reduced by eliminating the manifold base 	Type 60 P. 178	SY3□60	●	—	—	—	—	—	—	—	—	—	
		SY5□60	●	—	—	—	—	—	—	—	—	—	
		SY7□60	●	—	—	—	—	—	—	—	—	—	

● Standard ● Option ▲ Made to order (Refer to page "Made to Order".)

Manifold Variations

Manifold option								A, B port size								Valve option																					
Blanking plate	Individual SUP spacer	Individual EXH spacer	SUP block disk	EXH block disk	Label for block disk	Silencer for One-touch fitting	Built-in silencer	Connector	M5	1/8	1/4	3/8	One-touch fitting								Mixed mounting SY3000 SY5000	Oil resistant (Other than designated turbine oil)	Vacuum specifications	Low pressure specifications	Different pressure	Dual pressure	Exhaust throttle	Bundle wiring	Mixed fitting sizes	IP65 enclosure	Interface regulator						
													C4	C6	C8	C10	C12	N3	N7	N9												N11					
●	●	●	—	—	—	—	—	●	—	—	—	—	●	●	—	—	—	—	—	●	●	—	—	—	—	—	—	—	—	—	—	—	●	Note)			
—	—	—	—	—	—	—	—	—	●	—	—	—	—	●	●	—	—	—	—	—	●	●	—	—	—	—	—	—	—	—	—	—	—	●	Note)		
—	—	—	—	—	—	—	—	—	—	●	—	—	—	—	—	—	—	—	—	—	—	—	—	—	—	—	—	—	—	—	—	—	—	—	●	Note)	
●	●	●	—	—	—	—	—	●	—	—	—	—	—	●	●	—	—	—	—	—	—	—	—	—	—	—	—	—	—	—	—	—	—	—	—	—	—
●	●	●	●	●	●	—	—	—	—	—	—	—	—	—	—	—	—	—	—	—	—	—	—	—	—	—	—	—	—	—	—	—	—	—	—	—	—
●	●	●	●	●	●	—	—	—	—	—	—	—	—	—	—	—	—	—	—	—	—	—	—	—	—	—	—	—	—	—	—	—	—	—	—	—	—
●	●	●	—	—	—	—	—	—	—	—	—	—	—	—	—	—	—	—	—	—	—	—	—	—	—	—	—	—	—	—	—	—	—	—	—	—	—
●	—	—	—	—	—	—	—	—	—	—	—	—	—	—	—	—	—	—	—	—	—	—	—	—	—	—	—	—	—	—	—	—	—	—	—	—	—
●	—	—	—	—	—	—	—	—	—	—	—	—	—	—	—	—	—	—	—	—	—	—	—	—	—	—	—	—	—	—	—	—	—	—	—	—	—
●	—	—	—	—	—	—	—	—	—	—	—	—	—	—	—	—	—	—	—	—	—	—	—	—	—	—	—	—	—	—	—	—	—	—	—	—	—
●	—	—	—	—	—	—	—	—	—	—	—	—	—	—	—	—	—	—	—	—	—	—	—	—	—	—	—	—	—	—	—	—	—	—	—	—	—
●	—	—	—	—	—	—	—	—	—	—	—	—	—	—	—	—	—	—	—	—	—	—	—	—	—	—	—	—	—	—	—	—	—	—	—	—	—

Note) When using DIN terminal or M8 connector. SY3000 does not have a DIN terminal which can be connected to a manifold.

SJ

SY

SV

SYJ

SZ

VP4

S0700

VQ

VQ4

VQ5

VQC

VQZ

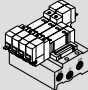
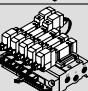
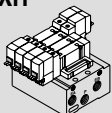
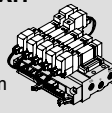
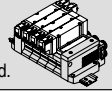
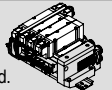
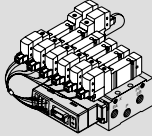
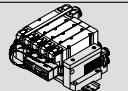
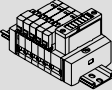
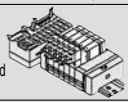
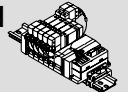
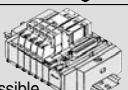
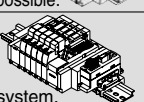
SQ

VFS

VFR

VQ7

Manifold Variations

Manifold Variations				Valve Series	Wiring										
					Connection							Common specifications			
					Individual wiring	Flat ribbon cable (26 pins)	Flat ribbon cable (20 pins) connector box	Plug-in type D-sub connector (25 pins)	Plug-in type flat ribbon cable (26, 20, 10 pins)	Plug-in type terminal block (9, 18 pins)	PC wiring	Serial transmission unit	Positive common	Negative common	
Base mounted	Compact bar stock type Individual wiring ■ The base mounting facilitates maintenance after valves are changed.		Type 41 P. 198	SY3□40	●	—	—	—	—	—	—	—	—	—	
				SY5□40	—	●	—	—	—	—	—	—	●	—	
	Compact bar stock type Flat ribbon cable ■ A 26 pins MIL connector permits one-touch wiring of external cables in a bundle.		Type 41P P. 214	SY3□40	—	●	—	—	—	—	—	—	—	●	—
				SY5□40	—	—	—	—	—	—	—	—	—	—	●
	Bar stock type/Common external EXH Individual wiring ■ The base mounting facilitates maintenance after valves are changed. ■ Vacuum/low pressure combination system is possible.		Type 42 P. 198	SY3□40	●	—	—	—	—	—	—	—	—	—	—
				SY5□40	—	—	—	—	—	—	—	—	—	—	—
				SY7□40	—	—	—	—	—	—	—	—	—	—	—
	Bar stock type/Common external EXH Flat ribbon cable ■ A 26 pins MIL connector permits one-touch wiring of external cables in a bundle. ■ Vacuum/low pressure combination system is possible.		Type 42P P. 214	SY3□40	—	●	—	—	—	—	—	—	—	●	—
				SY5□40	—	—	—	—	—	—	—	—	—	—	●
				SY7□40	—	—	—	—	—	—	—	—	—	—	●
	Stacking type Individual wiring ■ Manifold stations can be increased or decreased.		Type 43 P. 208	SY9□40	●	—	—	—	—	—	—	—	—	—	—
	Stacking type Flat ribbon cable ■ Manifold stations can be increased or decreased.		Type 43P P. 222	SY9□40	—	●	—	—	—	—	—	—	—	●	—
	Bar stock type EX510 gateway system ■ Can be used with a serial transmission system.		Type 42SA P. 228	SY3□40	—	—	—	—	—	—	—	●	—	—	—
				SY5□40	—	—	—	—	—	—	—	—	—	—	—
				SY7□40	—	—	—	—	—	—	—	—	—	—	—
	Stacking type EX510 gateway system ■ Can be used with a serial transmission system.		Type 43SA P. 233	SY9□40	—	—	—	—	—	—	—	●	—	—	—
Stacking type/DIN rail mounted Individual wiring ■ Stations can be increased on the DIN rail. Integral mounting of other electric parts is possible, too.		Type 45 P. 244	SY3□40	●	—	—	—	—	—	—	—	—	—	—	
			SY5□40	—	—	—	—	—	—	—	—	—	—	—	
Stacking type/DIN rail mounted Connector box ■ Stations can be increased or decreased on the DIN rail. The provided connector box permits one-touch connection of electric cables.		Type 45^A_{NA} P. 256	SY3□40	—	—	●	—	—	—	●	—	●	●	—	
			SY5□40	—	—	—	—	—	—	—	—	—	—	—	
Stacking type/DIN rail mounted EX510 gateway system ■ Can be used with a serial transmission system.		Type 45S6A P. 264	SY3□40	—	—	—	—	—	—	—	●	—	—	—	
			SY5□40	—	—	—	—	—	—	—	—	—	—	—	
Stacking type/DIN rail mounted Plug-in ■ Stations can be increased or decreased on the DIN rail. ■ A variety of centralized wiring methods are possible.		Type 45 P. 272	SY3□40	—	—	—	●	●	●	●	●	●	●	●	
			SY5□40	—	—	—	—	—	—	—	—	—	—	—	
Stacking type/DIN rail mounted EX510 gateway system ■ Can be used with a serial transmission system.		Type 45S6B P. 312	SY3□40	—	—	—	—	—	—	—	●	—	—	—	
			SY5□40	—	—	—	—	—	—	—	—	—	—	—	

● Standard ● Option ▲ Made to order (Refer to page "Made to Order".)

Manifold Variations

Manifold option								A, B port size							Valve option																											
Blanking plate	Individual SUP spacer	Individual EXH spacer	SUP block disk	EXH block disk	Label for block disk	Silencer for One-touch fitting	Built-in silencer	Connector	M5	1/8	1/4	3/8	One-touch fitting								Mixed mounting SY3000 SY5000	Oil resistant (Other than designated turbine oil)	Vacuum specifications	Low pressure specifications	Different pressure	Dual pressure	Exhaust throttle	Bundle wiring	Mixed fitting sizes	IP65 enclosure	Interface regulator											
													C4	C6	C8	C10	C12	N3	N7	N9												N11										
●	●	●							●				●	●				●	●				▲			●							●	●	●	●						
●	●	●							●				●	●				●	●				▲			●							●	●	●	●						
●	●	●								●			●	●				●	●				▲	●	●	●	●					●	●	●	●			●	●	●	●	
●	●	●								●			●	●				●	●				▲	●	●	●	●					●	●	●	●			●	●	●	●	
●	●	●	●	●	●	●	●				●	●			●	●			●	●				▲	●	●	●	●	●	●	●	●	●	●	●	●	●	●	●	●	●	●
●	●	●	●	●	●	●	●				●	●			●	●			●	●				▲	●	●	●	●	●	●	●	●	●	●	●	●	●	●	●	●	●	●
●	●	●						●		●			●	●				●	●				▲	●	●	●	●	●				●	●	●	●	●	●	●	●	●	●	
●	●	●	●	●	●	●	▲						●	●				●	●				▲	▲	▲	▲	●					●	●	●	●	●	●	●	●	●	●	
●	●	●	●	●	●	●	▲						●	●				●	●				▲	▲	▲	▲	●					●	●	●	●	●	●	●	●	●	●	
●							●	●					●	●				●	●				▲	●	●	●	●					●	●	●	●	●	●	●	●	●		
●	●	●	●	●	●	●	▲						●	●				●	●				▲	▲	▲	▲	●					●	●	●	●	●	●	●	●	●		
							●						●	●				●	●				▲	●	●	●	●					●	●	●	●	●	●	●	●	●		



Note) When using DIN terminal or M8 connector. SY3000 does not have a DIN terminal which can be connected to a manifold.

- SJ
- SY**
- SV
- SYJ
- SZ
- VP4
- S0700
- VQ
- VQ4
- VQ5
- VQC
- VQZ
- SQ
- VFS
- VFR
- VQ7

5 Port Solenoid Valve Body Ported/Single Unit

Series SY3000/5000/7000/9000



How to Order

SY 5 1 20 [] - 5 L [] [] - 01 [] - [] - [] - []

Series

3	SY3000
5	SY5000
7	SY7000
9	SY9000

Type of actuation

1	2 position single
2	2 position double
3	3 position closed center
4	3 position exhaust center
5	3 position pressure center

Coil specifications

Nil	Standard
T	With power saving circuit (24, 12 VDC only)

* Power saving circuit is not available in the case of D, DO or W□ type.

For DC

5	24 VDC
6	12 VDC
V	6 VDC
S	5 VDC
R	3 VDC

For AC (50/60 Hz)

1	100 VAC
2	200 VAC
3	110 VAC [115 VAC]
4	220 VAC [230 VAC]

* DC specifications of type D, Y, DO and YO is only available with 12 and 24 VDC.
* For type W□, DC voltage is only available.

Rated voltage

24, 12, 6, 5, 3 VDC/100, 110, 200, 220 VAC				24, 12 VDC/ 100, 110, 200, 220 VAC
Grommet	L plug connector	M plug connector	DIN terminal	
G: Lead wire length 300 mm	L: With lead wire (Length 300 mm)	M: With lead wire (Length 300 mm)	MN: Without lead wire	D, Y: With connector
H: Lead wire length 600 mm	LN: Without lead wire	LO: Without connector	MO: Without connector	DO, YO: Without connector

24, 12, 6, 5, 3 VDC

M8 connector

WO: Without connector cable

W□: With connector cable (Note)

* LN, MN type: with 2 sockets.
* For DIN terminal of SY3000 series, refer to page 337.
* "Y" type is a DIN terminal conforming to EN-175301-803C (former DIN43650C). For details, refer to page 336.
* For connector cable of M8 connector, refer to page 339.
* M8 connector conforming to IEC60947-5-2 standard is also available. Refer to page 331 for details.
* Refer to page 336 for the lead wire length of L and M plug connectors.
* Refer to page 337 for the connector assembly with cover for L and M plug connectors.

Note) Enter the cable length symbols in □. Please be sure to fill in the blank referring to page 340.

A, B port size
Thread piping

Symbol	Port size	Applicable series
M5	M5 x 0.8	SY3000
01	1/8	SY5000
02	1/4	SY7000
03	3/8	SY9000

One-touch fitting (Metric size)

Symbol	Port size	Applicable series
C4	One-touch fitting for ø4	SY3000
C6	One-touch fitting for ø6	SY5000
C8	One-touch fitting for ø8	SY7000
C10	One-touch fitting for ø10	SY9000
C12	One-touch fitting for ø12	SY9000

One-touch fitting (Inch size)

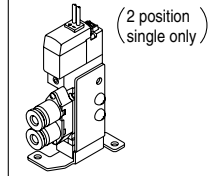
Symbol	Port size	Applicable series
N3	One-touch fitting for ø 5/32"	SY3000
N7	One-touch fitting for ø 1/4"	SY5000
N9	One-touch fitting for ø 3/32"	SY7000
N11	One-touch fitting for ø 3/8"	SY9000

Manual override

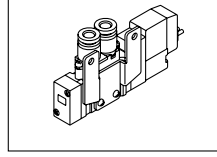
Nil: Non-locking push type 	D: Push-turn locking slotted type 	E: Push-turn locking lever type
---------------------------------------	--	--

Bracket

Nil: Without bracket
F1: With foot bracket (2 position single only)



F2: With side bracket



* SY9000 has no bracket.

Thread type

Nil	Rc
F	G
N	NPT
T	NPTF

* Except for M5

Made to Order

Nil	—
X20	Body ported external pilot (Refer to page 332.)
X90	Main valve fluoro rubber (Refer to page 332.)

CE-compliant

Nil	—
Q	CE-compliant

* For DC only except DIN terminal.

Light/surge voltage suppressor

Electrical entry for G, H, L, M, W

Nil	Without light/surge voltage suppressor
S	With surge voltage suppressor
Z	With light/surge voltage suppressor
R	With surge voltage suppressor (Non-polar type)
U	With light/surge voltage suppressor (Non-polar type)

* For AC voltage valves there is no "S" option. It is already built-in to the rectifier circuit.
* For "R" and "U", DC voltage is only available.
* Power saving circuit is only available in the "Z" type.

Electrical entry for D, Y

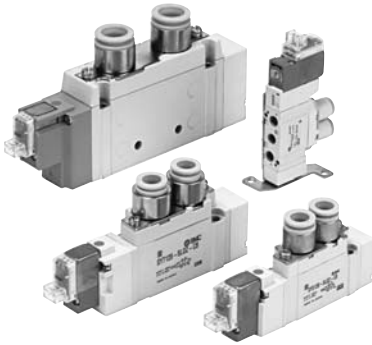
Nil	Without light/surge voltage suppressor
S	With surge voltage suppressor
Z	With light/surge voltage suppressor

* DOZ and YOZ are not available.
* For AC voltage valves there is no "S" option. It is already built-in to the rectifier circuit.

Note) When placing an order for body ported solenoid valve as a single unit, mounting screw for manifold and gasket are not attached. Order them separately, if necessary. (For details, refer to page 173.)

Body Ported *Series SY3000/5000/7000/9000*

Specifications



Series		SY3000	SY5000	SY7000	SY9000
Fluid		Air			
Internal pilot	2 position single	0.15 to 0.7			
Operating pressure range (MPa)	2 position double	0.1 to 0.7			
	3 position	0.2 to 0.7			
Ambient and fluid temperature (°C)		-10 to 50 (No freezing.)			
Max. operating frequency (Hz)	2 position single, double	10	5	5	5
	3 position	3	3	3	3
Manual override (Manual operation)		Non-locking push type, Push-turn locking slotted type, Push-turn locking lever type			
Pilot exhaust method		Common exhaust type for main and pilot valve			
Lubrication		Not required			
Mounting orientation		Unrestricted			
Impact/Vibration resistance (m/s ²) ^{Note}		150/30			
Enclosure		Dust proof (* DIN terminal and M8 connector: IP65)			



* Based on IEC60529

Note) Impact resistance: No malfunction occurred when it is tested in the axial direction and at the right angles to the main valve and armature in both energized and de-energized states every once for each condition. (Values at the initial period)

Vibration resistance: No malfunction occurred in a one-sweep test between 45 and 2000 Hz. Test was performed at both energized and de-energized states in the axial direction and at the right angles to the main valve and armature. (Values at the initial period)



Made to Order

(For details, refer to pages 324 to 332.)

Solenoid Specifications

Electrical entry		Grommet (G), (H) L plug connector (L) M plug connector (M)		DIN terminal (D), (Y) M8 connector (W)	
		G, H, L, M, W		D, Y	
Coil rated voltage (V)	DC	24, 12, 6, 5, 3			
	AC 50/60 Hz	100, 110, 200, 220			
Allowable voltage fluctuation		±10% of rated voltage *			
Power consumption (W)	DC	Standard	0.35 (With indicator light: 0.4 DIN terminal with indicator light: 0.45)		
		With power saving circuit	0.1 (With indicator light only)		
Apparent power (VA) *	AC	100 V	0.78 (With indicator light: 0.81)	0.78 (With indicator light: 0.87)	
		110 V [115 V]	0.86 (With indicator light: 0.89) [0.94 (With indicator light: 0.97)]	0.86 (With indicator light: 0.97) [0.94 (With indicator light: 1.07)]	
		200 V	1.18 (With indicator light: 1.22)	1.15 (With indicator light: 1.30)	
		220 V [230 V]	1.30 (With indicator light: 1.34) [1.42 (With indicator light: 1.46)]	1.27 (With indicator light: 1.46) [1.39 (With indicator light: 1.60)]	
		Surge voltage suppressor	Diode (Varistor is for DIN terminal and Non-polar type.)		
Indicator light		LED (AC of DIN connector is neon light.)			



* In common between 110 VAC and 115 VAC, and between 220 VAC and 230 VAC.

* For 115 VAC and 230 VAC, the allowable voltage is -15% to +5% of rated voltage.

* S, Z and T type (with power saving circuit) should be used within the following allowable voltage fluctuation range due to a voltage drop caused by the internal circuit.

S and Z type: 24 VDC: -7% to +10%

12 VDC: -4% to +10%

T type: 24 VDC: -8% to +10%

12 VDC: -6% to +10%

Response Time



Note) Based on dynamic performance test, JIS B 8375-1981. (Coil temperature: 20°C, at rated voltage)

SY3000

Type of actuation	Response time (ms) (at the pressure of 0.5 MPa)		
	Without light/surge voltage suppressor	With light/surge voltage suppressor	
		Type S, Z	Type R, U
2 position single	12 or less	15 or less	12 or less
2 position double	10 or less	13 or less	10 or less
3 position	15 or less	20 or less	16 or less

SY5000

Type of actuation	Response time (ms) (at the pressure of 0.5 MPa)		
	Without light/surge voltage suppressor	With light/surge voltage suppressor	
		Type S, Z	Type R, U
2 position single	19 or less	26 or less	19 or less
2 position double	18 or less	22 or less	18 or less
3 position	32 or less	38 or less	32 or less

SY7000

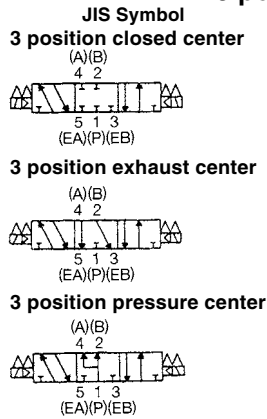
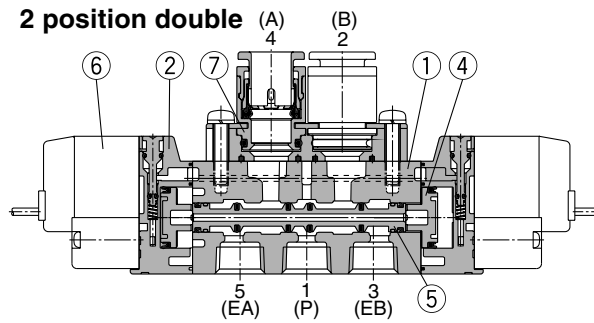
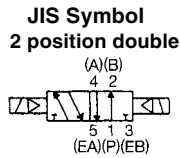
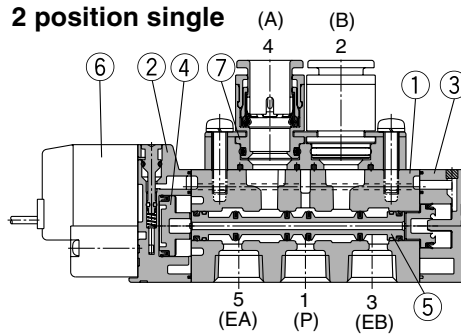
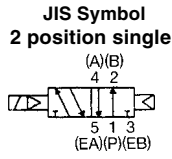
Type of actuation	Response time (ms) (at the pressure of 0.5 MPa)		
	Without light/surge voltage suppressor	With light/surge voltage suppressor	
		Type S, Z	Type R, U
2 position single	31 or less	38 or less	33 or less
2 position double	27 or less	30 or less	28 or less
3 position	50 or less	56 or less	50 or less

SY9000

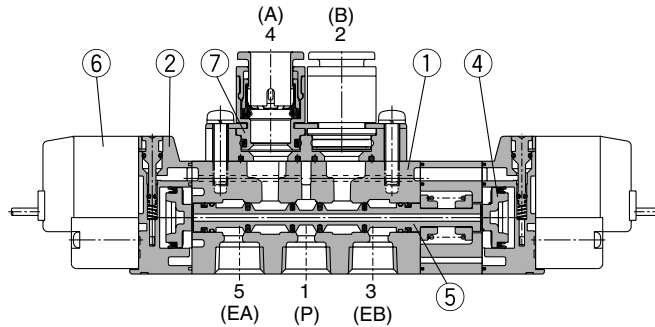
Type of actuation	Response time (ms) (at the pressure of 0.5 MPa)		
	Without light/surge voltage suppressor	With light/surge voltage suppressor	
		Type S, Z	Type R, U
2 position single	35 or less	41 or less	35 or less
2 position double	35 or less	41 or less	35 or less
3 position	62 or less	64 or less	62 or less

Construction

Series SY



3 position closed center / exhaust center / pressure center



(This figure shows a closed center type.)

Component Parts

No.	Description	Material	Note
1	Body	Aluminum die-casted (SY3000: Zinc die-casted)	White
2	Adapter plate	Resin	White (SY9000: Gray)
3	End plate	Resin	White
4	Piston	Resin	-
5	Spool valve assembly	Aluminum, H-NBR	-

Replacement Parts

No.	Description	Part no.
6	Pilot valve assembly	Refer to "How to Order Pilot Valve Assembly" on page 112.
7	M5 port block assembly	Refer to "How to Order Port Block Assembly" on page 113.

Bracket Assembly No.

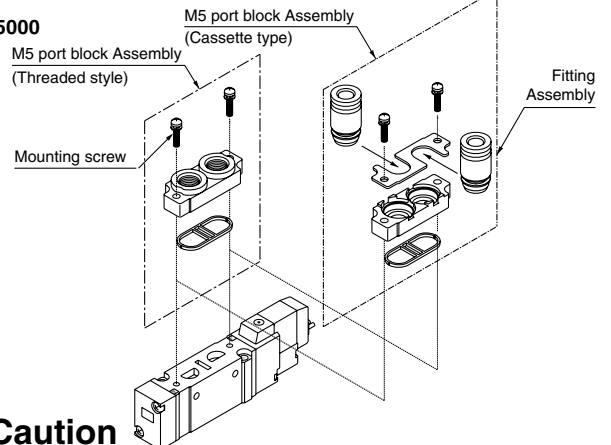
Description	Part no.
Bracket (For F1)	SX ³ 000-16-2A (with mounting screw)
Bracket (For F2)	SX ³ 000-16-1A (with mounting screw)

* SY9000 has no bracket.

How to Change Port Block Assembly

If using body port type, both A and B port sizes can be changed by replacing the port block assembly mounted on the body. When changing this block assembly, the correct screw torque must be achieved to avoid possible air leakage.

For SY5000



Caution

Mounting screw tightening torques

SY3000 (M2): 0.12 N·m
SY⁵000 (M3): 0.6 N·m
SY9000 (M4): 1.4 N·m

* Refer to "How to Order Port Block Assembly" on page 113 for part no.

Series SY3000/5000/7000/9000

How to Order Pilot Valve Assembly

V111 - 5 G

Coil specifications

Nil	Standard
T	With power saving circuit (24 VDC, 12 VDC only)

* Power saving circuit is not available in the case of D, DO or W type.

Rated voltage

5	24 VDC
6	12 VDC
V	6 VDC
S	5 VDC
R	3 VDC
1	100 VAC ^{50/60} Hz
2	200 VAC ^{50/60} Hz
3	110 VAC ^{50/60} Hz [115 VAC ^{50/60} Hz]
4	220 VAC ^{50/60} Hz [230 VAC ^{50/60} Hz]

* For type W , DC voltage is only available.
* CE-compliant: For DC only.

Light/surge voltage suppressor

Nil	Without light/surge voltage suppressor
S	With surge voltage suppressor
Z	With light/surge voltage suppressor
R	With surge voltage suppressor (Non-polar type)
U	With light/surge voltage suppressor (Non-polar type)

* For AC voltage valves there is no "S" option. It is already built-in to the rectifier circuit.
* For "R" and "U", DC voltage is only available.
* Power saving circuit is only available in the "Z" type.

Electrical entry

G	Grommet, 300 mm lead wire	
H	Grommet, 600 mm lead wire	
L	L plug connector	With lead wire
LN		Without lead wire
LO	M plug connector	Without connector
M		With lead wire
MN	M8 connector	Without lead wire
MO		Without connector
WO	connector	Without connector cable
W <input type="checkbox"/>		With connector cable ^{Note 1)}

* For connector cable of M8 connector, refer to page 339.
Note 1) Enter the cable length symbols in . Please be sure to fill in the blank referring to page 340.

■ DIN terminal type

V115 - 5 D

Rated voltage

5	24 VDC
6	12 VDC
1	100 VAC ^{50/60} Hz
2	200 VAC ^{50/60} Hz
3	110 VAC ^{50/60} Hz [115 VAC ^{50/60} Hz]
4	220 VAC ^{50/60} Hz [230 VAC ^{50/60} Hz]

* DC specifications of type D and DO is only available with 12 and 24 VDC.

Light/surge voltage suppressor

Nil	Without light/surge voltage suppressor
S	With surge voltage suppressor (Non-polar type)
Z	With light/surge voltage suppressor (Non-polar type)

* DOZ and YOZ are not available.
* For AC voltage valves there is no "S" option. It is already built-in to the rectifier circuit.

Electrical entry

D	DIN terminal	With connector
DO	terminal (Type D)	Without connector
Y	DIN terminal	With connector
YO	terminal (Type Y)	Without connector

Note) Do not replace V111 (G, H, L, M) to V115 (DIN terminal) and vice versa when replacing pilot valve assembly only.

Note) Since V111 and V115 are CE-compliant as standard, the suffix "-Q" is not necessary.

How to Order Port Block Assembly

SY **000 - 6A -**

Series

3	SY3000
5	SY5000
7	SY7000
9	SY9000

Thread type

Nil	Rc
F	G
N	NPT
T	NPTF

* Except for M5

**A, B port size
Thread piping**

Symbol	Port size	Applicable series
M5	M5 x 0.8	SY3000
01	1/8	SY5000
02	1/4	SY7000
02	1/4	SY9000
03	3/8	

One-touch fitting (Metric size)

Symbol	Port size	Applicable series
C4	One-touch fitting for ø4	SY3000
C6	One-touch fitting for ø6	
C4	One-touch fitting for ø4	SY5000
C6	One-touch fitting for ø6	
C8	One-touch fitting for ø8	SY7000
C10	One-touch fitting for ø10	
C8	One-touch fitting for ø8	SY9000
C10	One-touch fitting for ø10	
C12	One-touch fitting for ø12	

One-touch fitting (Inch size)

Symbol	Port size	Applicable series
N3	One-touch fitting for ø 5/32"	SY3000
N7	One-touch fitting for ø 1/4"	
N3	One-touch fitting for ø 5/32"	SY5000
N7	One-touch fitting for ø 1/4"	
N9	One-touch fitting for ø 5/16"	SY7000
N11	One-touch fitting for ø 3/8"	
N9	One-touch fitting for ø 5/16"	SY9000
N11	One-touch fitting for ø 3/8"	

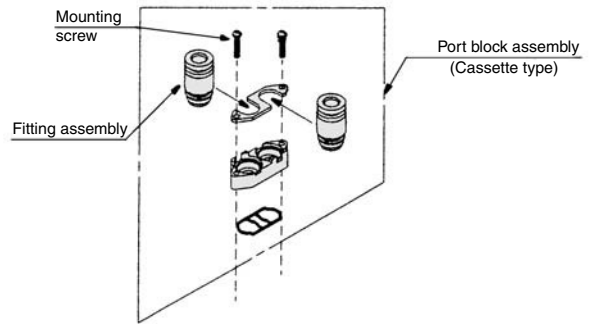
* Only replacement of the fittings assembly is possible.

Metric size

SY3000	One-touch fitting for ø4	VVQ1000-50A-C4
	One-touch fitting for ø6	VVQ1000-50A-C6
SY5000	One-touch fitting for ø4	VVQ1000-51A-C4
	One-touch fitting for ø6	VVQ1000-51A-C6
SY7000	One-touch fitting for ø8	VVQ2000-51A-C8
	One-touch fitting for ø10	VVQ2000-51A-C10
SY9000	One-touch fitting for ø8	VVQ4000-50B-C8
	One-touch fitting for ø12	VVQ4000-50B-C12

Inch size

SY3000	One-touch fitting for ø 5/32"	VVQ1000-50A-N3
	One-touch fitting for ø 1/4"	VVQ1000-50A-N7
SY5000	One-touch fitting for ø 5/32"	VVQ1000-51A-N3
	One-touch fitting for ø 1/4"	VVQ1000-51A-N7
SY7000	One-touch fitting for ø 5/16"	VVQ2000-51A-N9
	One-touch fitting for ø 3/8"	VVQ2000-51A-N11
SY9000	One-touch fitting for ø 5/16"	VVQ4000-50B-N9
	One-touch fitting for ø 3/8"	VVQ4000-50B-N11



SJ

SY

SV

SYJ

SZ

VP4

S0700

VQ

VQ4

VQ5

VQC

VQZ

SQ

VFS

VFR

VQ7

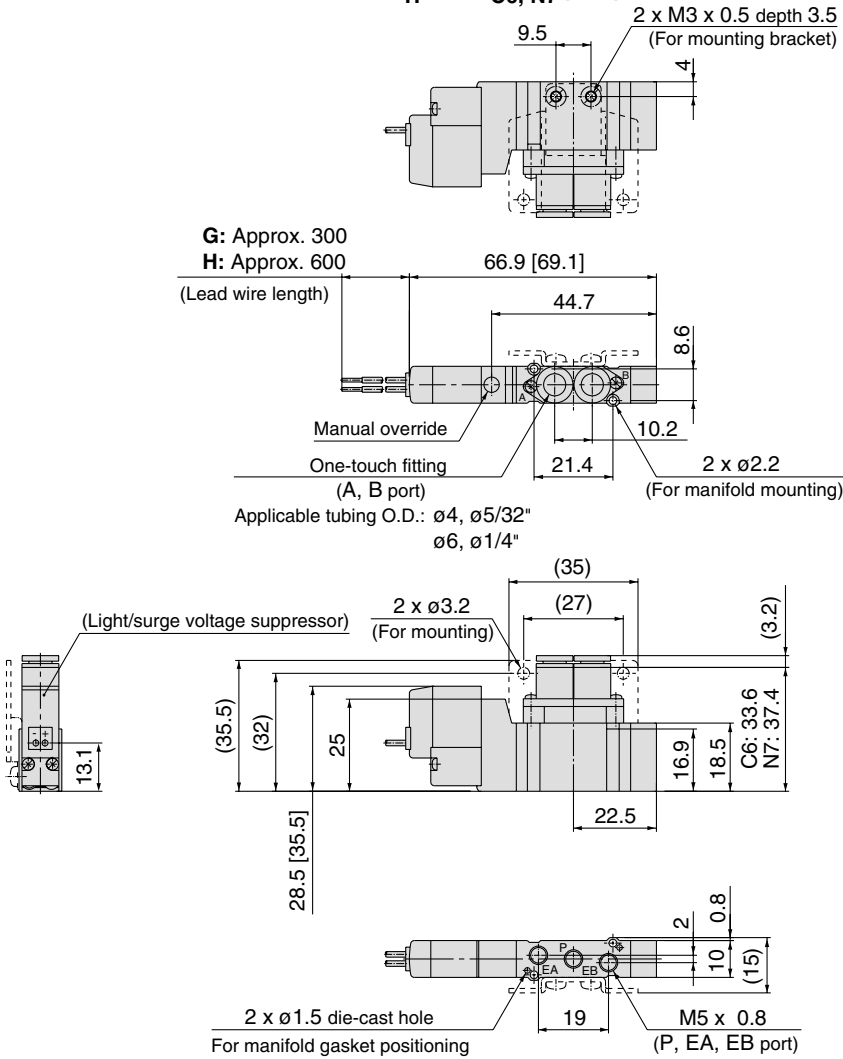
Series SY3000/5000/7000/9000

Dimensions: Series SY3000



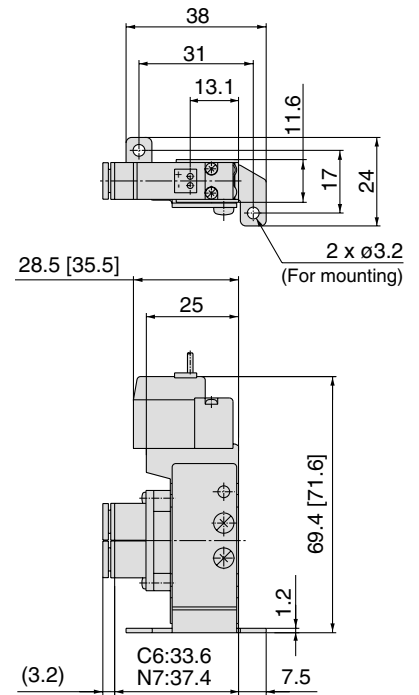
2 position single

Grommet (G), (H): SY3120-□_G□□-C4, N3(-F2)
C6, N7

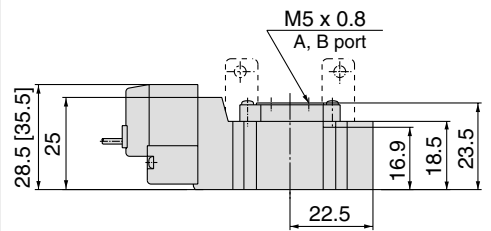


Foot bracket

SY3120-□_G□□-C4, N3(-F1)
C6, N7

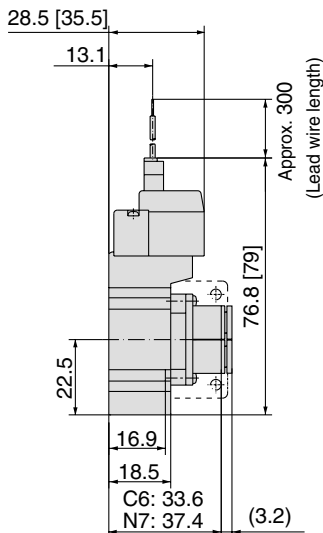


SY3120-□_G□□-M5(-F2)



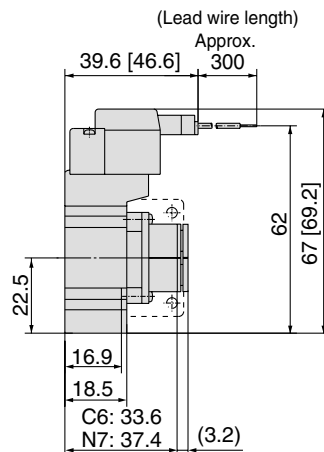
L plug connector (L):

SY3120-□L□□-C4, N3(-F1)
C6, N7



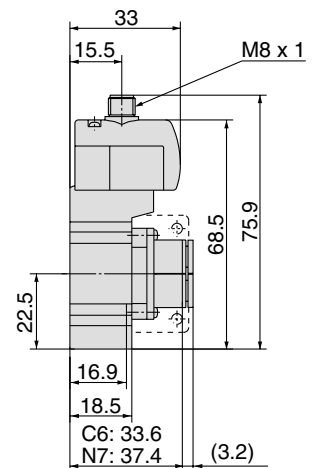
M plug connector (M):

SY3120-□M□□-C4, N3(-F1)
C6, N7



M8 connector (WO):

SY3120-□WO□□-C4, N3(-F1)
C6, N7



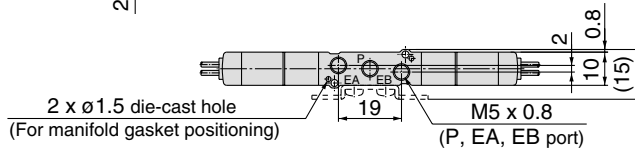
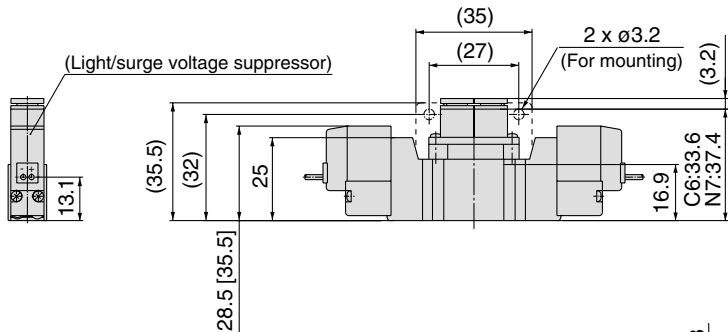
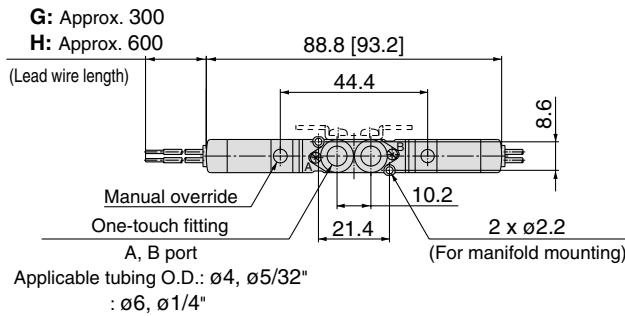
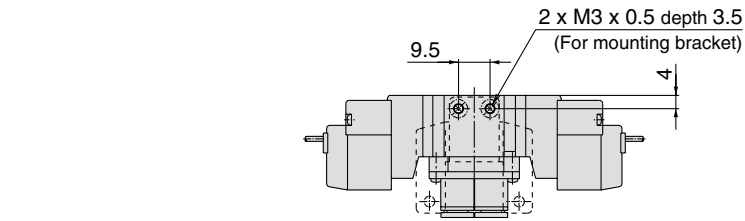
Note) Refer to page 340 for dimensions of connector types.

Dimensions: Series SY3000

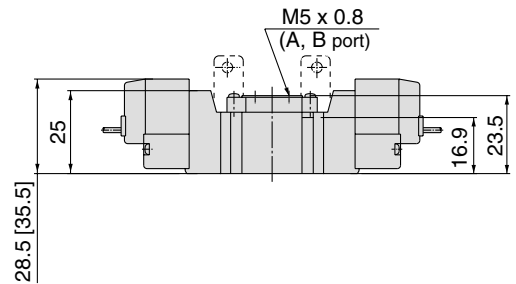


2 position double

Grommet (G), (H): SY3220-□^G□□-C₄, N₃
C₆, N₇ (-F₂)



SY3220-□^G□□-M5(-F₂)



SJ

SY

SV

SYJ

SZ

VP4

S0700

VQ

VQ4

VQ5

VQC

VQZ

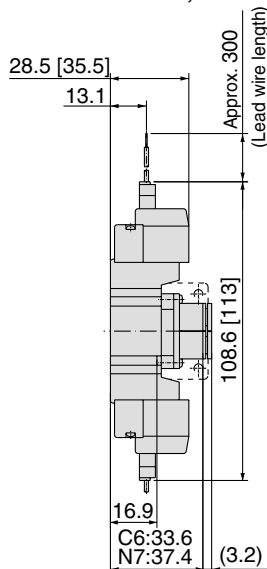
SQ

VFS

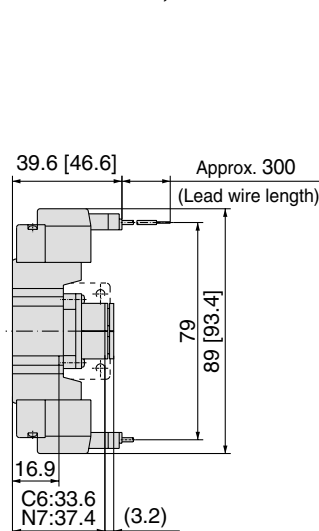
VFR

VQ7

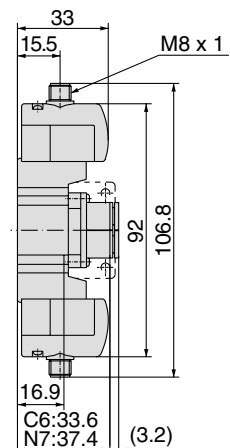
L plug connector (L):
SY3220-□L□□-C₄, N₃
C₆, N₇ (-F₂)



M plug connector (M):
SY3220-□M□□-C₄, N₃
C₆, N₇ (-F₂)



M8 connector (WO):
SY3220-WO□□-C₄, N₃
C₆, N₇ (-F₂)



Note) Refer to page 340 for dimensions of connector types.

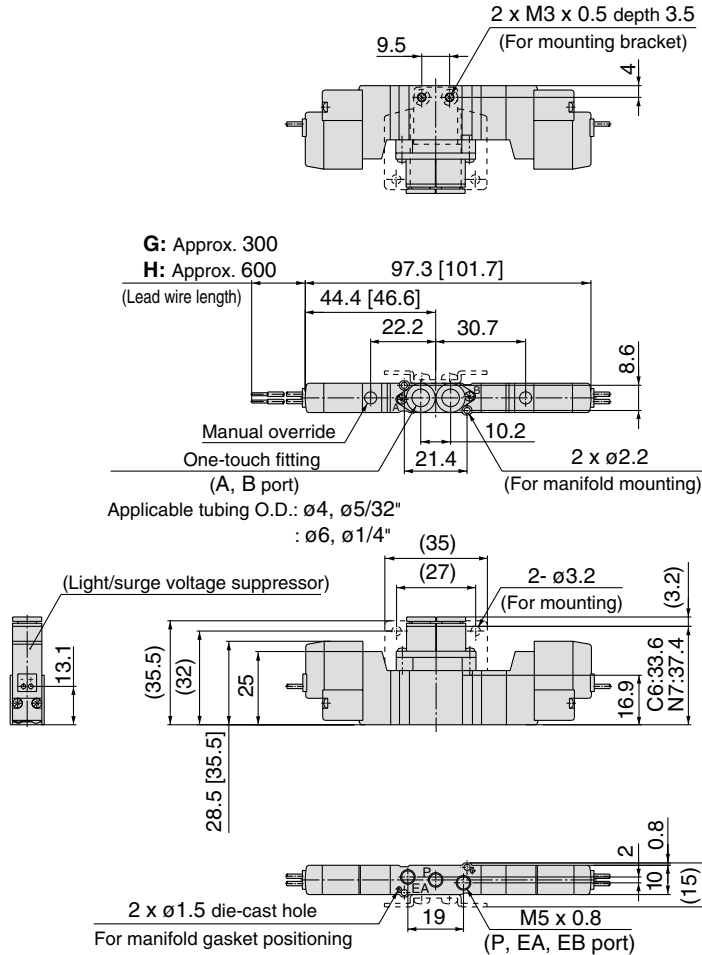
Series SY3000/5000/7000/9000

Dimensions: Series SY3000

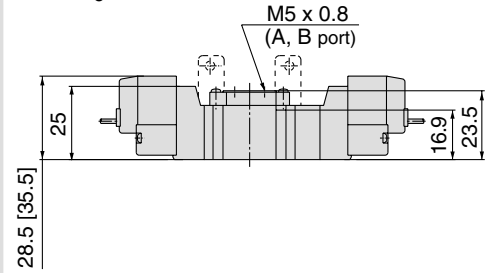


3 position closed center / exhaust center / pressure center

Grommet (G), (H): SY3³/₄20-□^G□□-C₄, N₃(-F2)
C₆, N₇

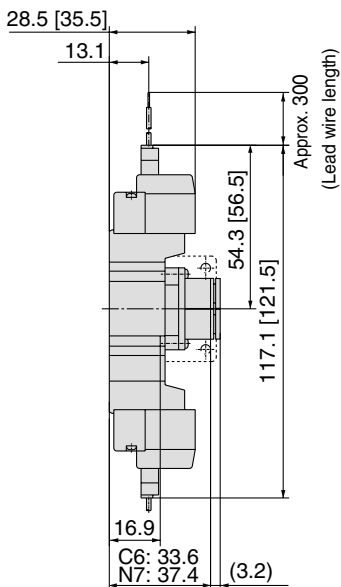


SY3³/₄20-□^G□□-M5(-F2)



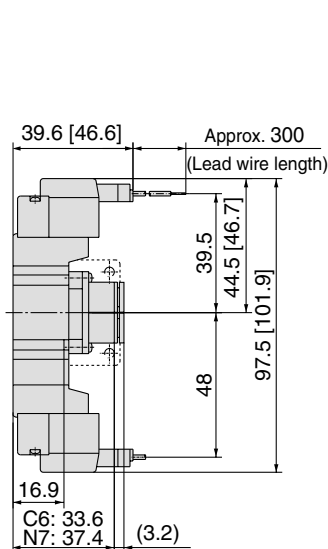
L plug connector (L):

SY3³/₄20-□L□□-C₄, N₃(-F2)
C₆, N₇



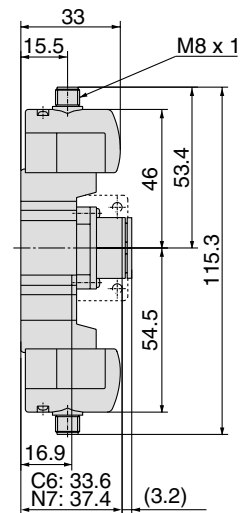
M plug connector (M):

SY3³/₄20-□M□□-C₄, N₃(-F2)
C₆, N₇



M8 connector (WO):

SY3³/₄20-□WO□□-C₄, N₃(-F2)
C₆, N₇



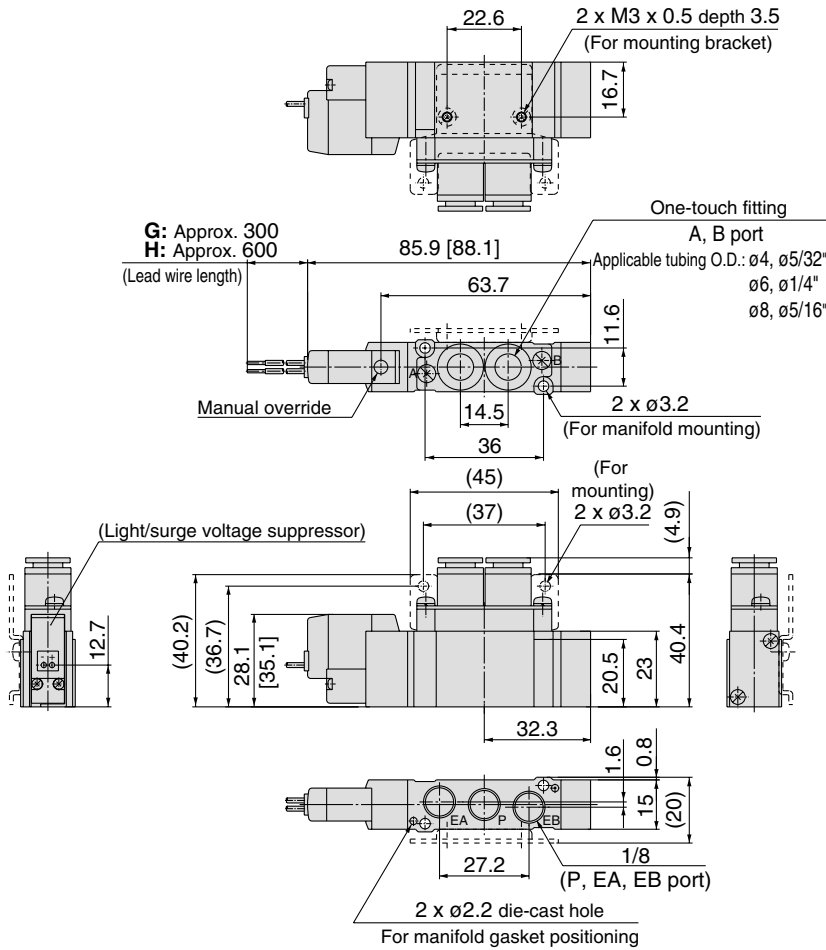
Note) Refer to page 340 for dimensions of connector types.

Dimensions: Series SY5000



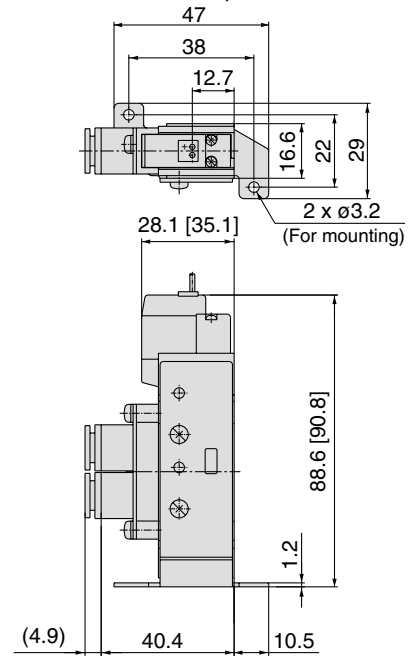
2 position single

Grommet (G), (H): SY5120-□^G□^H□^{C4, N3}□^{C6, N7}□^{C8, N9}(-F₂)

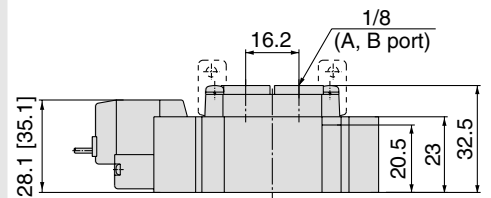


Foot bracket

SY5120-□^G□^H□^{C4, N3}□^{C6, N7}□^{C8, N9}(-F₁)

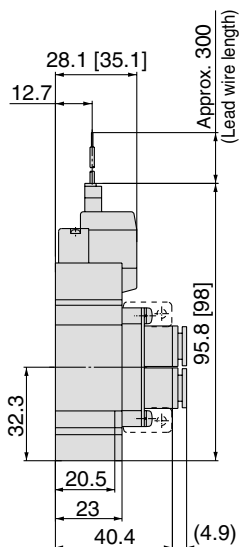


SY5120-□^G□^H□^{C4, N3}□^{C6, N7}□^{C8, N9}(-F₁)-01□(-F₁)



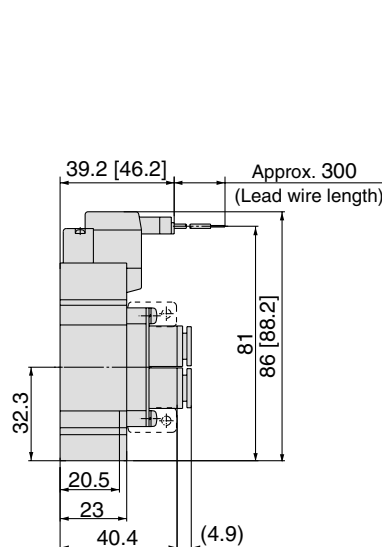
L plug connector (L):

SY5120-□L□^{C4, N3}□^{C6, N7}□^{C8, N9}(-F₂)



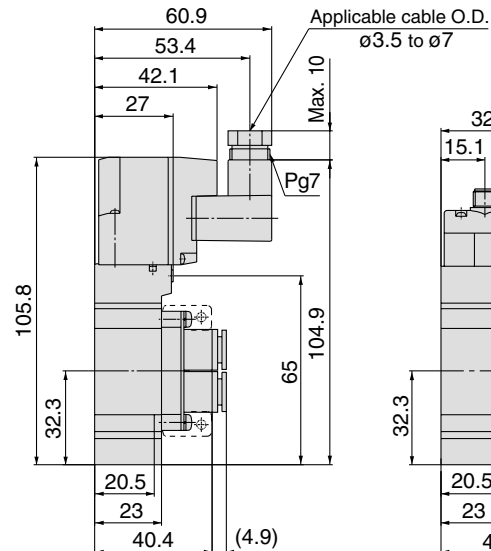
M plug connector (M):

SY5120-□M□^{C4, N3}□^{C6, N7}□^{C8, N9}(-F₂)



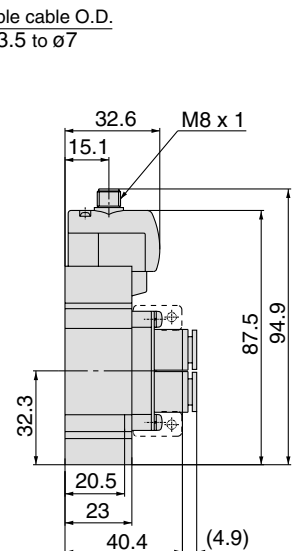
DIN terminal (D, Y):

SY5120-□^D□^Y□^{C4, N3}□^{C6, N7}□^{C8, N9}(-F₂)



M8 connector (WO):

SY5120-□WO□^{C4, N3}□^{C6, N7}□^{C8, N9}(-F₂)



Note) Refer to page 340 for dimensions of connector types.

- SJ
- SY**
- SV
- SYJ
- SZ
- VP4
- S0700
- VQ
- VQ4
- VQ5
- VQC
- VQZ
- SQ
- VFS
- VFR
- VQ7

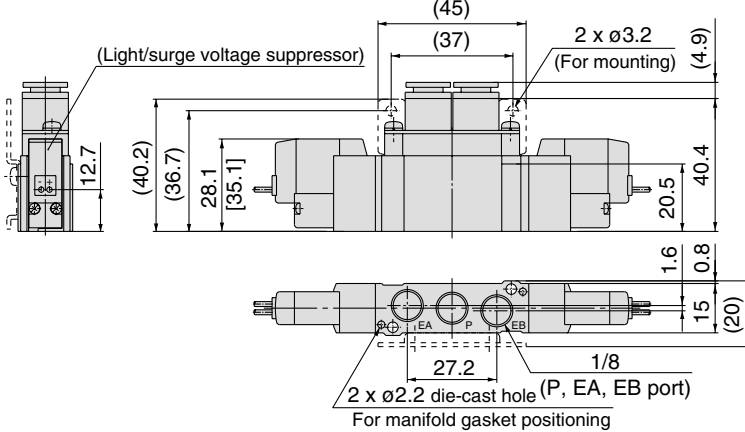
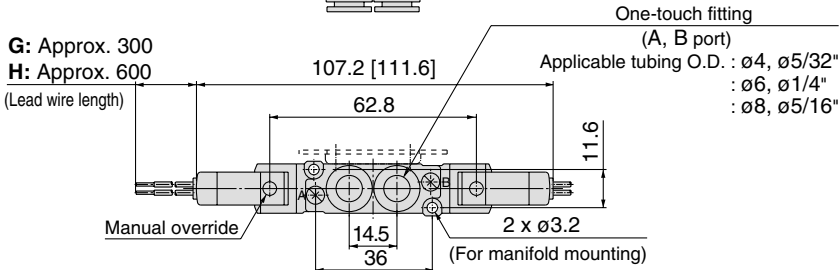
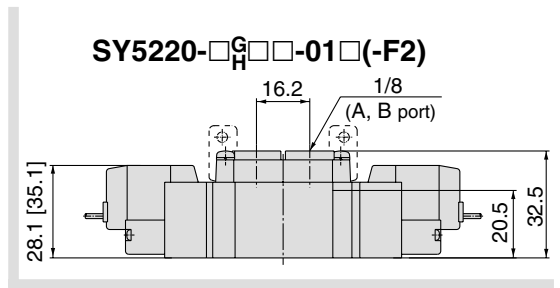
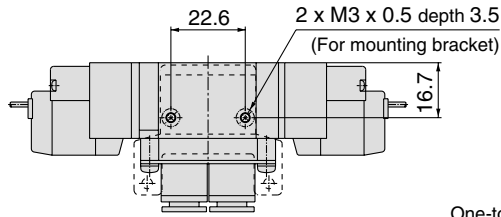
Series SY3000/5000/7000/9000

Dimensions: Series SY5000



2 position double

Grommet (G), (H): SY5220-□^{C4, N3}_G□□-□^{C6, N7}_H□□(-F2)
 C8, N9



L plug connector (L):

SY5220-□^{C4, N3}_L□□-□^{C6, N7}□□(-F2)
 C8, N9

M plug connector (M):

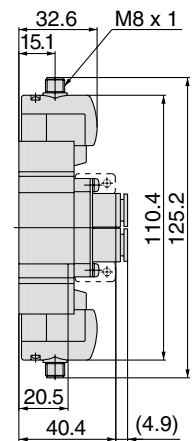
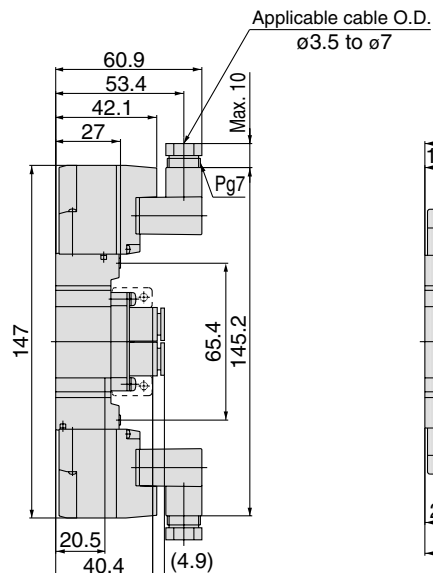
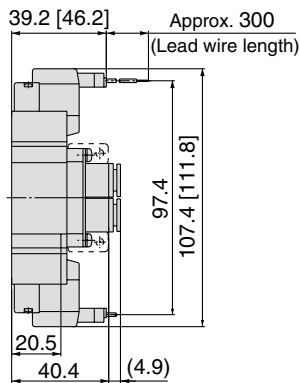
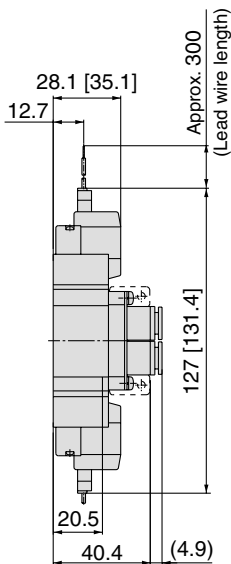
SY5220-□^{C4, N3}_M□□-□^{C6, N7}□□(-F2)
 C8, N9

DIN terminal (D, Y):

SY5220-□^{C4, N3}_D□□-□^{C6, N7}□□(-F2)
 C8, N9

M8 connector (WO):

SY5220-□^{C4, N3}_{WO}□□-□^{C6, N7}□□(-F2)
 C8, N9



Note) Refer to page 340 for dimensions of connector types.

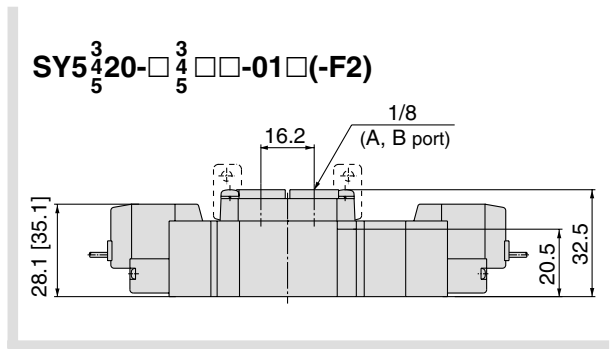
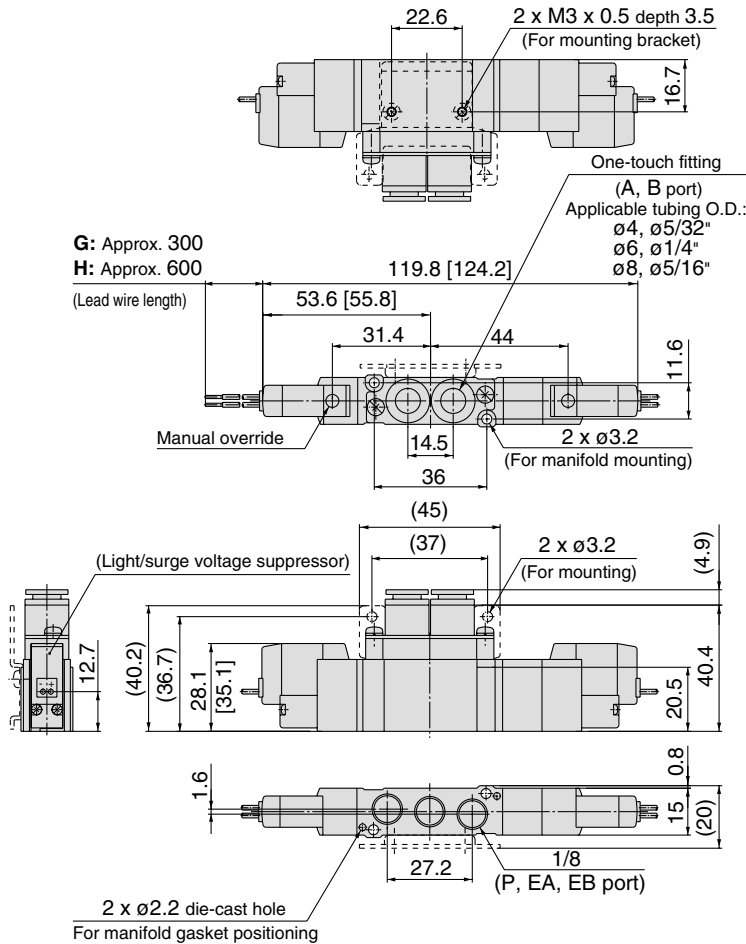
Dimensions: Series SY5000



3 position closed center / exhaust center / pressure center

Grommet (G), (H): SY5³₅420-□³₄□³₅-C₄, N₃-C₆, N₇□(-F2)
C₈, N₉

SY5³₅420-□³₄□³₅-01□(-F2)



- SJ
- SY**
- SV
- SYJ
- SZ
- VP4
- S0700
- VQ
- VQ4
- VQ5
- VQC
- VQZ
- SQ
- VFS
- VFR
- VQ7

L plug connector (L):

SY5³₅420-□³₄□³₅-L□³₄-C₄, N₃-C₆, N₇□(-F2)
C₈, N₉

M plug connector (M):

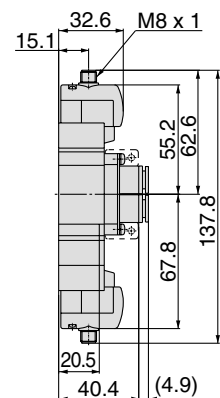
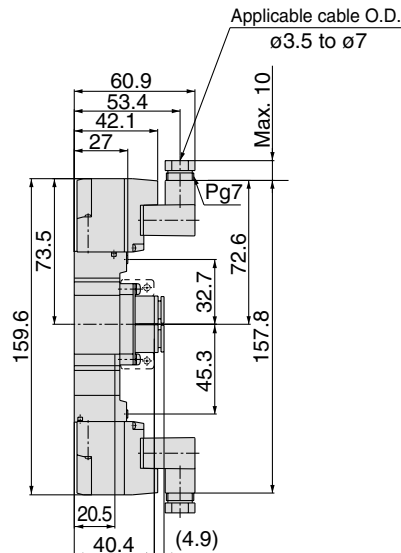
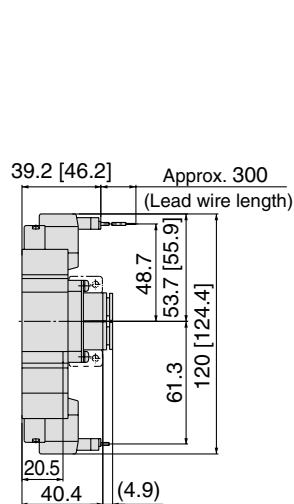
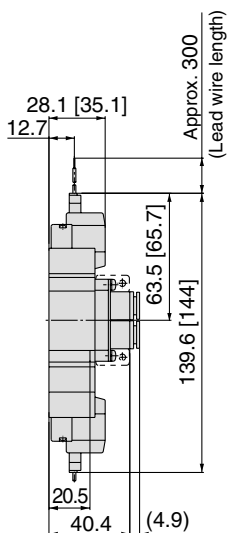
SY5³₅420-□³₄□³₅-M□³₄-C₄, N₃-C₆, N₇□(-F2)
C₈, N₉

DIN terminal (D, Y):

SY5³₅420-□³₄□³₅-D□³₄-C₄, N₃-C₆, N₇□(-F2)
C₈, N₉

M8 connector (WO):

SY5³₅420-□³₄□³₅-WO□³₄-C₄, N₃-C₆, N₇□(-F2)
C₈, N₉



Note) Refer to page 340 for dimensions of connector types.

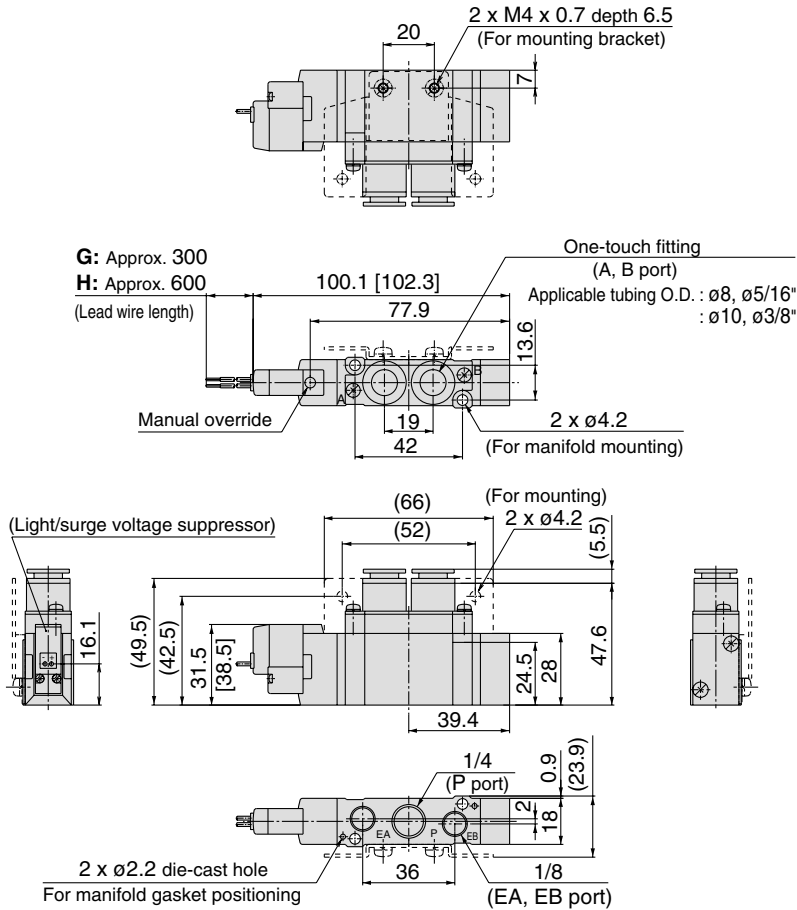
Series SY3000/5000/7000/9000

Dimensions: Series SY7000

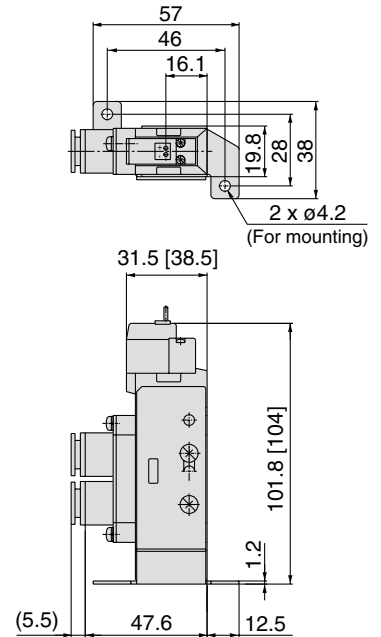


2 position single

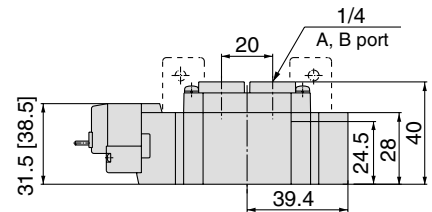
Grommet (G), (H): SY7120-□_G□_H□-C_{8, N₉}
C_{10, N₁₁}□(-F₂)



SY7120-□_G□_H□-C_{8, N₉}
C_{10, N₁₁}□-F₁

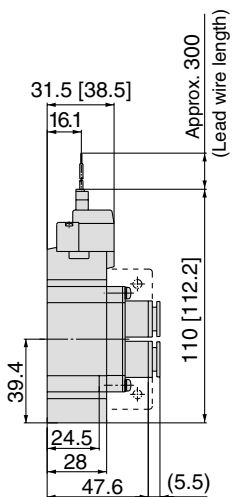


SY7120-□_G□_H□-02□(-F₂)



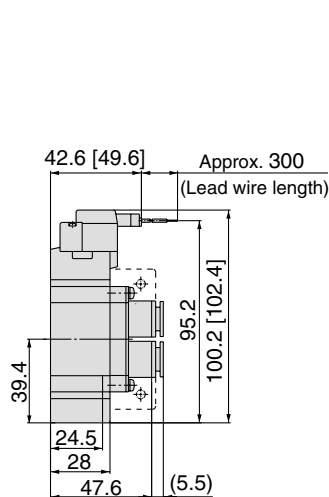
L plug connector (L):

SY7120-□_L□_L□-C_{8, N₉}
C_{10, N₁₁}□(-F₂¹)



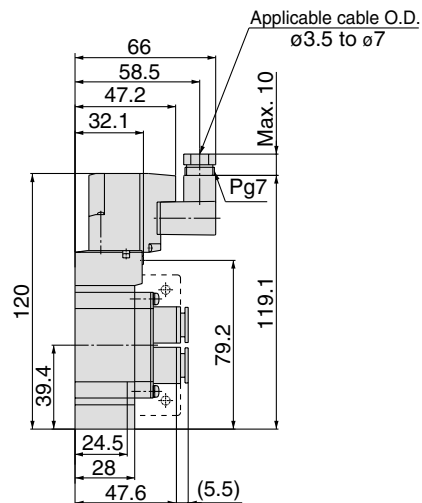
M plug connector (M):

SY7120-□_M□_M□-C_{8, N₉}
C_{10, N₁₁}□(-F₂¹)



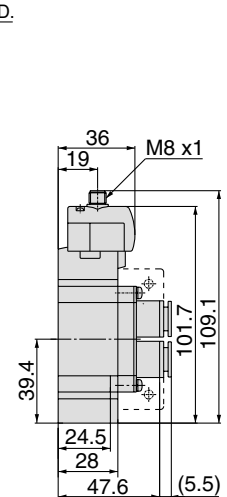
DIN terminal (D, Y):

SY7120-□_D□_Y□-C_{8, N₉}
C_{10, N₁₁}□(-F₂¹)



M8 connector (WO):

SY7120-□_{WO}□_{WO}□-C_{8, N₉}
C_{10, N₁₁}□(-F₂¹)



Note) Refer to page 340 for dimensions of connector types.

Body Ported Series SY3000/5000/7000/9000

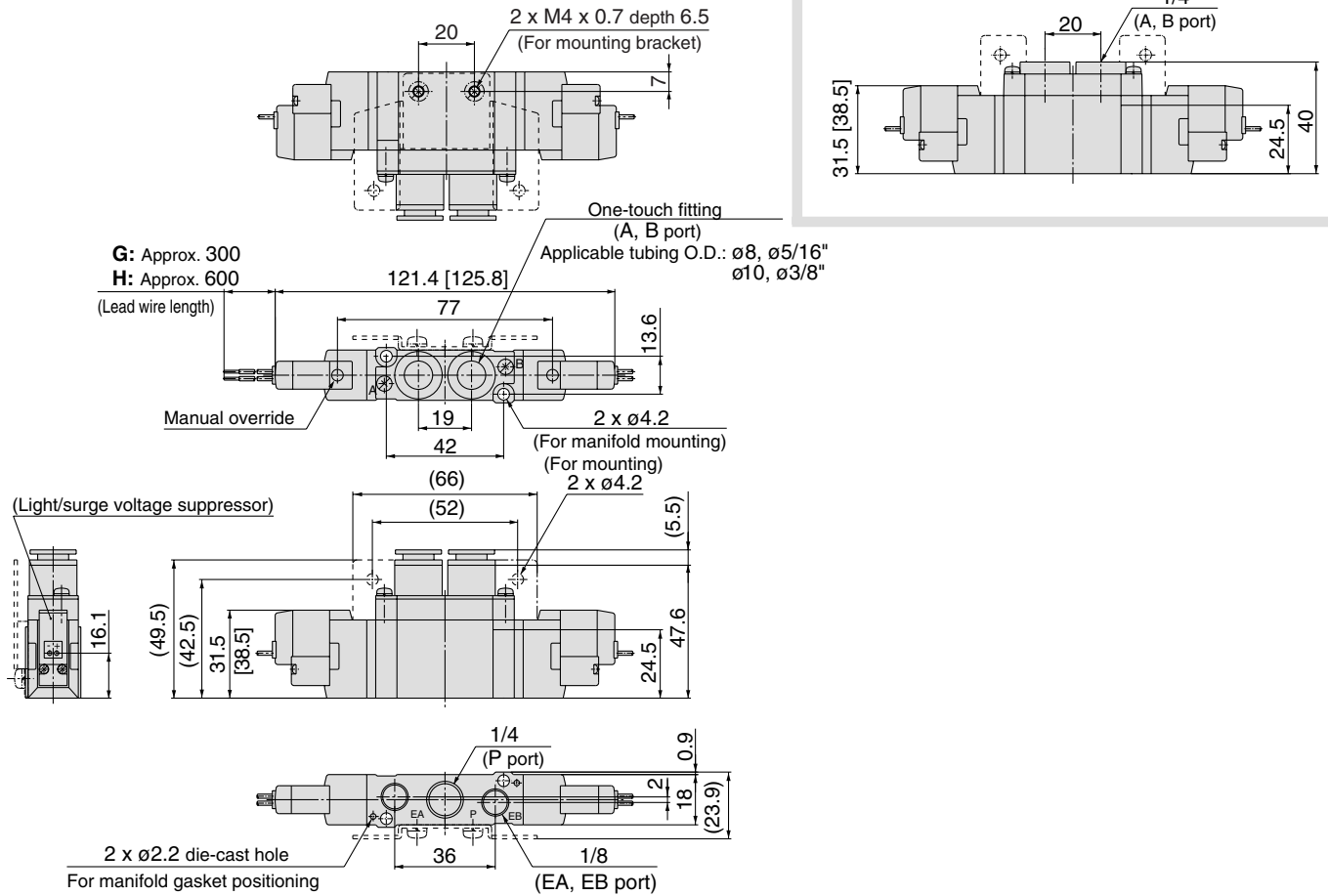
Dimensions: Series SY7000



2 position double

Grommet (G), (H): SY7220-□_G□□-C8, N9 C10, N11 □(-F2)

SY7220-□_G□□-02□(-F2)



- SJ
- SY**
- SV
- SYJ
- SZ
- VP4
- S0700
- VQ
- VQ4
- VQ5
- VQC
- VQZ
- SQ
- VFS
- VFR
- VQ7

L plug connector (L):

SY7220-□_L□□-C8, N9 C10, N11 □(-F2)

M plug connector (M):

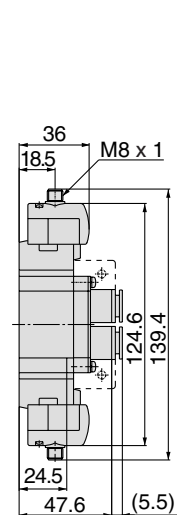
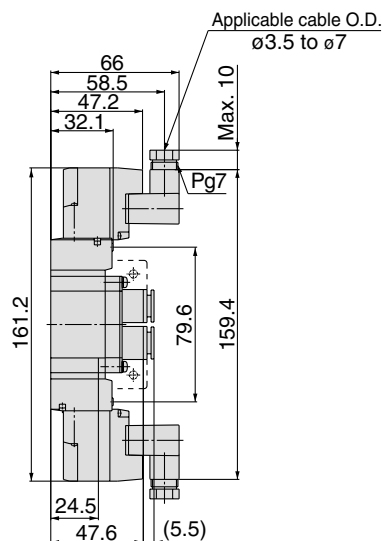
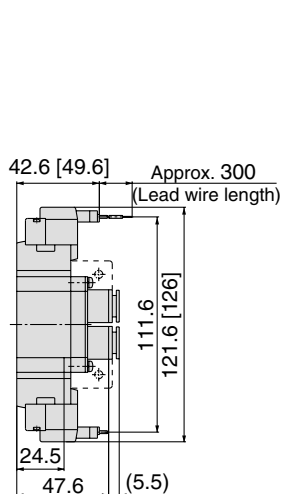
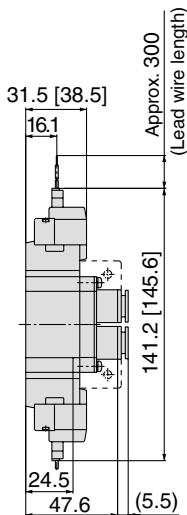
SY7220-□_M□□-C8, N9 C10, N11 □(-F2)

DIN terminal (D, Y):

SY7220-□_D□□-C8, N9 C10, N11 □(-F2)

M8 connector (WO):

SY7220-□_{WO}□□-C8, N9 C10, N11 □(-F2)



Note) Refer to page 340 for dimensions of connector types.

Series SY3000/5000/7000/9000

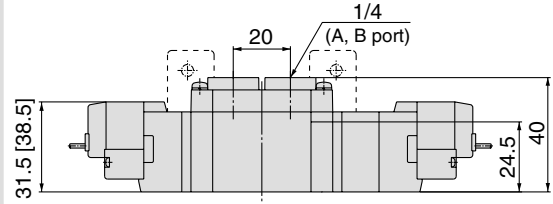
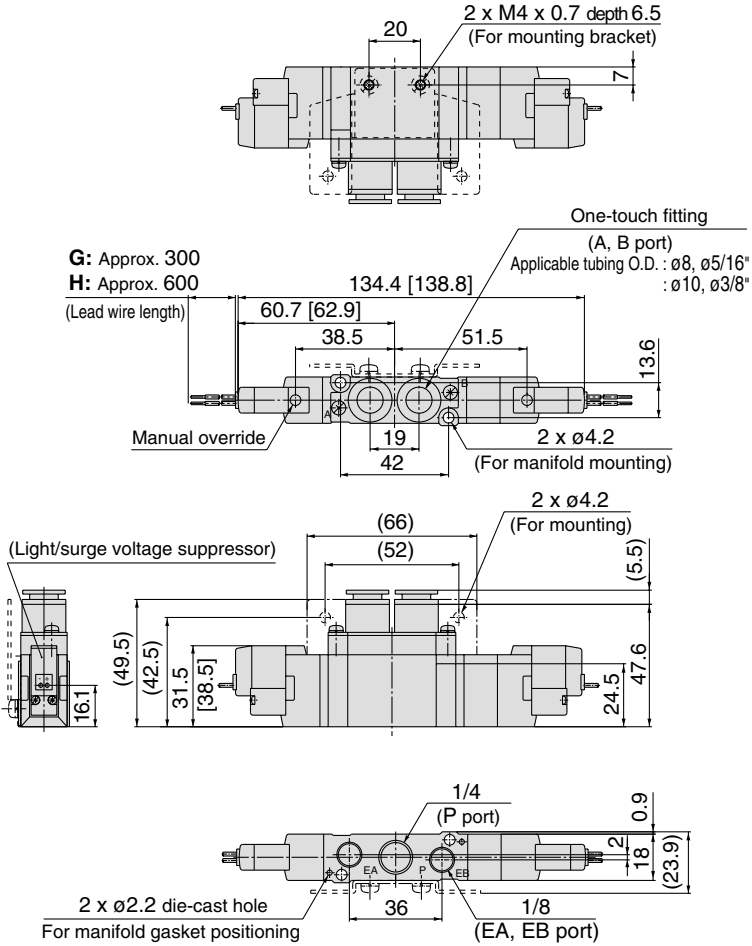


Dimensions: Series SY7000

3 position closed center / exhaust center / pressure center

Grommet (G), (H): SY7³/₅20-□^G□□-C8, N9
C10, N11 □(-F2)

SY7³/₅20-□^G□□-02□(-F2)



L plug connector (L):

SY7³/₅20-□L□□-C8, N9
C10, N11 □(-F2)

M plug connector (M):

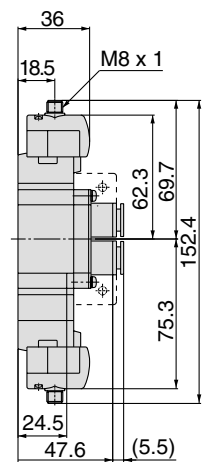
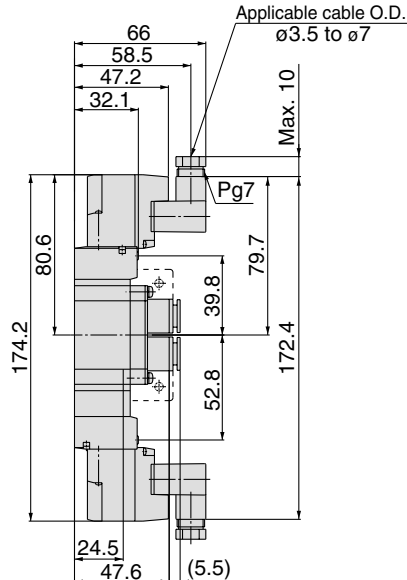
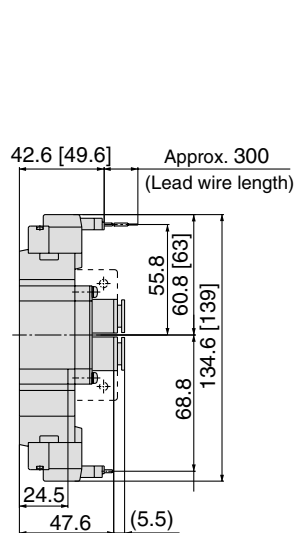
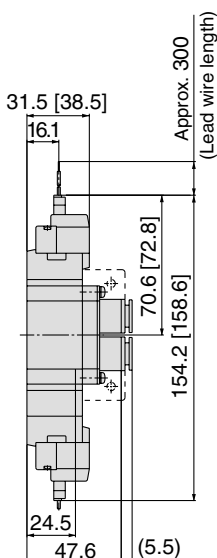
SY7³/₅20-□M□□-C8, N9
C10, N11 □(-F2)

DIN terminal (D, Y):

SY7³/₅20-□D□□-C8, N9
C10, N11 □(-F2)

M8 connector (WO):

SY7³/₅20-□WO□□-C8, N9
C10, N11 □(-F2)



Note) Refer to page 340 for dimensions of connector types.

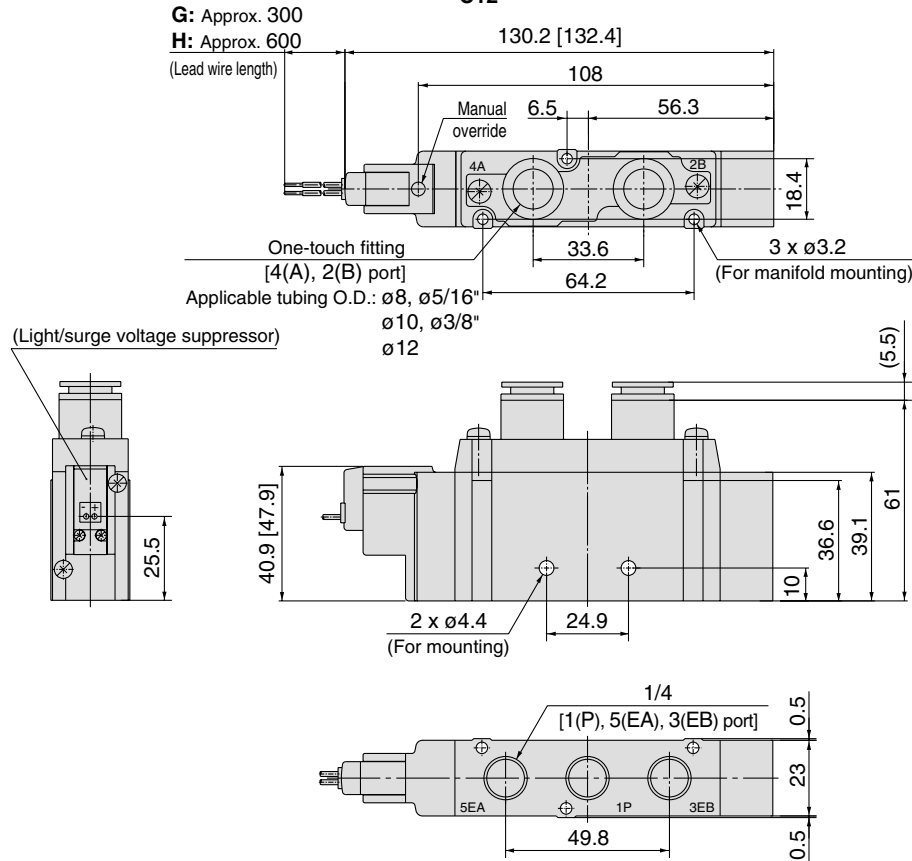
Body Ported Series SY3000/5000/7000/9000



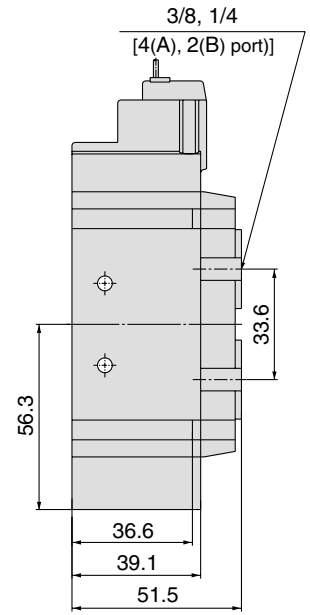
Dimensions: Series SY9000

2 position single

Grommet (G), (H): SY9120-□^G□□□-C8, N9
 □□□□-C10, N11□
 □□□□-C12



SY9120-□^G□□□-02□
 □□□□-03□

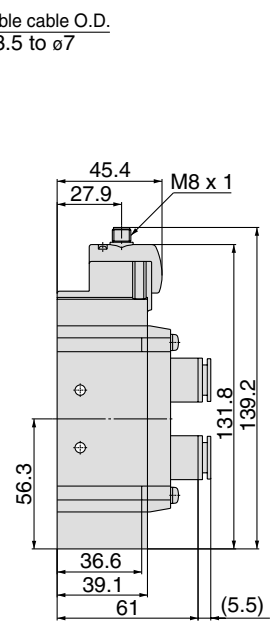
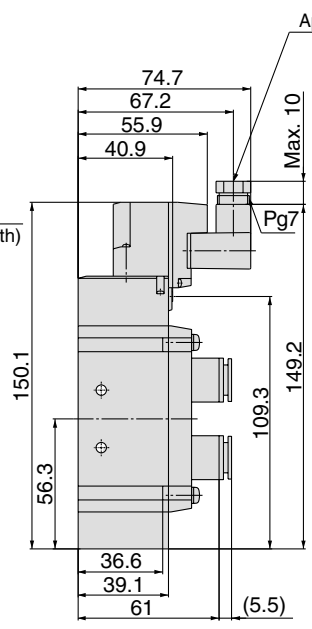
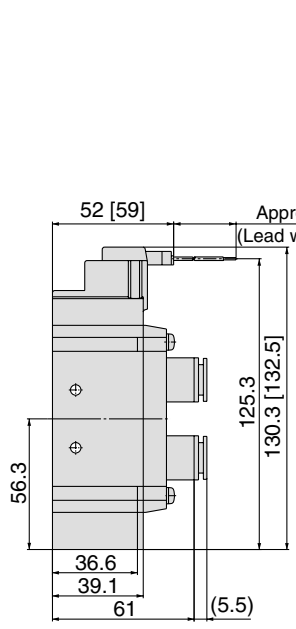
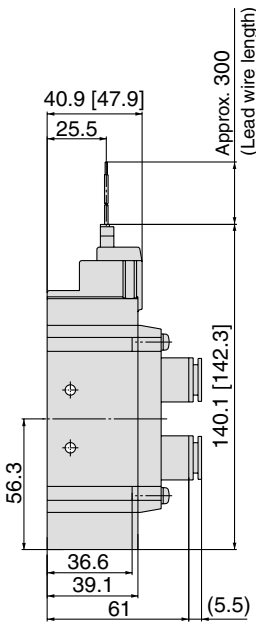


L plug connector (L):
 SY9120-□L□□□-C8, N9
 □□□□-C10, N11□
 □□□□-C12

M plug connector (M):
 SY9120-□M□□□-C8, N9
 □□□□-C10, N11□
 □□□□-C12

DIN terminal (D, Y):
 SY9120-□D□□□-C8, N9
 □□□□-C10, N11□
 □□□□-C12

M8 connector (WO):
 SY9120-□WO□□□-C8, N9
 □□□□-C10, N11□
 □□□□-C12



- SJ
- SY**
- SV
- SYJ
- SZ
- VP4
- S0700
- VQ
- VQ4
- VQ5
- VQC
- VQZ
- SQ
- VFS
- VFR
- VQ7

Note) Refer to page 340 for dimensions of connector types.

Series SY3000/5000/7000/9000



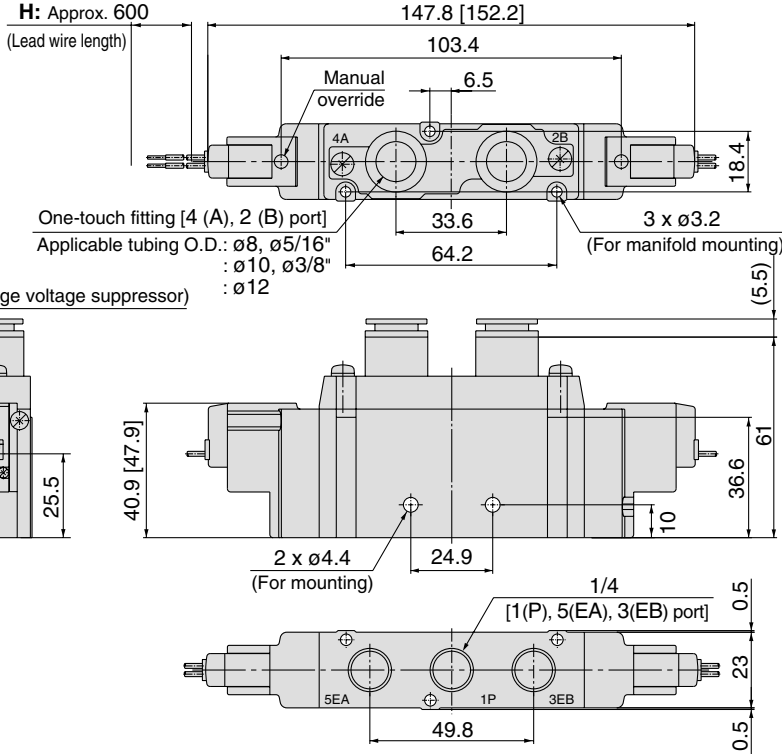
Dimensions: Series SY9000

2 position double

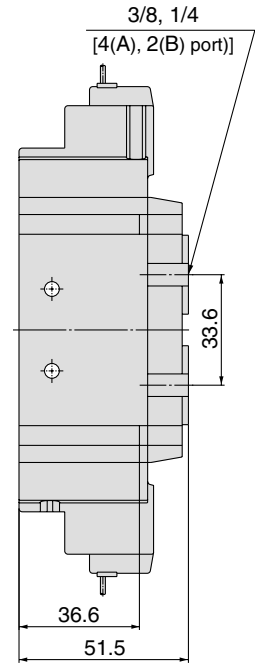
Grommet (G), (H): SY9220-□^G□^H□^{C8, N9}□^{C10, N11}□^{C12}

G: Approx. 300

H: Approx. 600

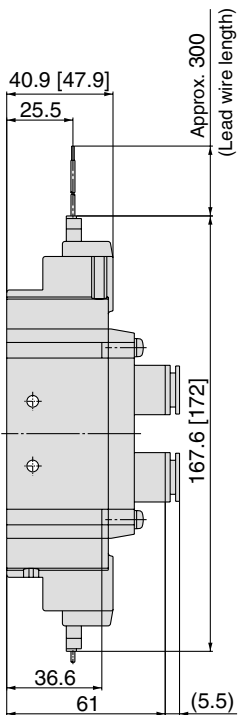


SY9220-□^G□^H□^{C8, N9}□^{C10, N11}□^{C12}-02□⁰³□



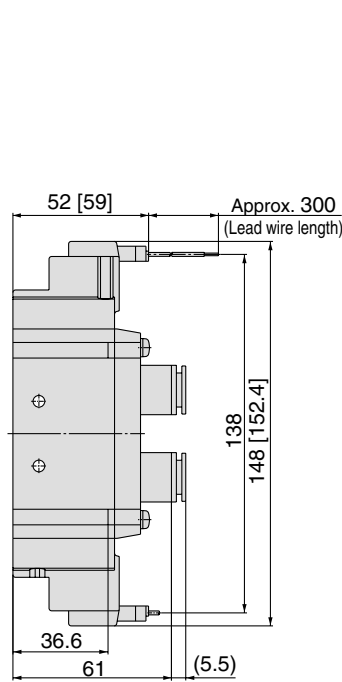
L plug connector (L):

SY9220-□L□□^{C8, N9}□^{C10, N11}□^{C12}



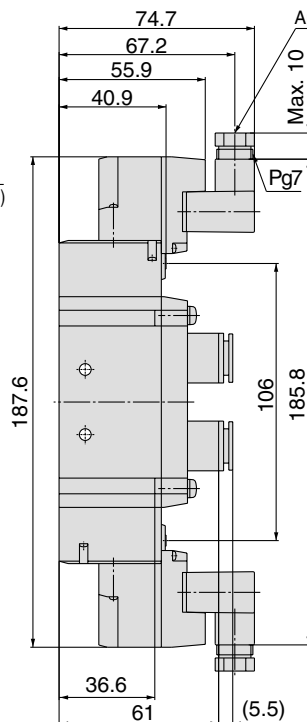
M plug connector (M):

SY9220-□M□□^{C8, N9}□^{C10, N11}□^{C12}



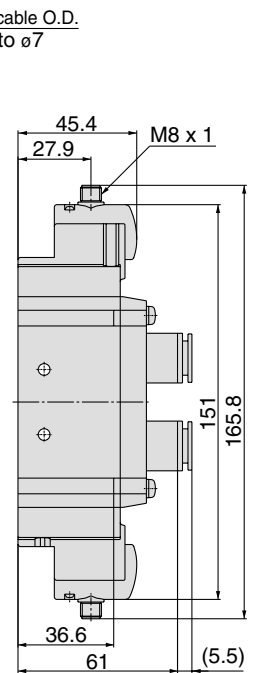
DIN terminal (D, Y):

SY9220-□D□□^{C8, N9}□^{C10, N11}□^{C12}



M8 connector (WO):

SY9220-□WO□□^{C8, N9}□^{C10, N11}□^{C12}



Note) Refer to page 340 for dimensions of connector types.

Body Ported Series SY3000/5000/7000/9000

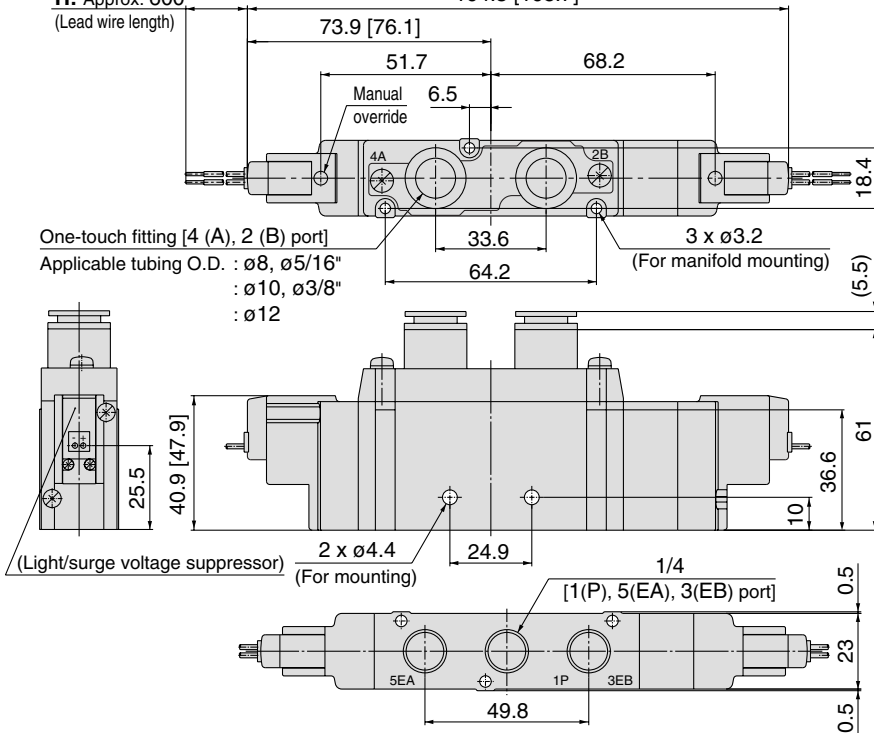


Dimensions: Series SY9000

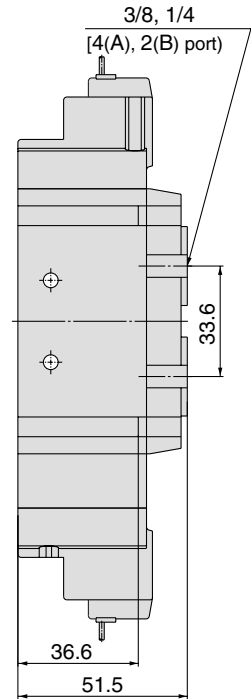
3 position closed center / exhaust center / pressure center

Grommet (G), (H): SY9³/₅420-□^G□□-C^{8, N9}□□-C^{10, N11}□□
C¹²

G: Approx. 300
H: Approx. 600
(Lead wire length)



SY9³/₅420-□^G□□-⁰²□□

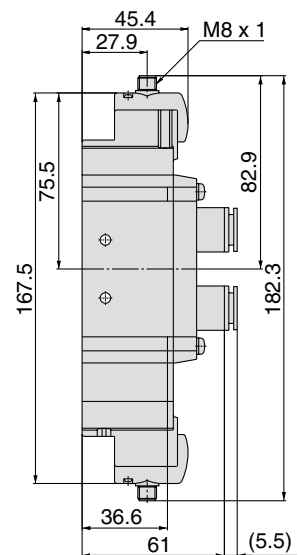
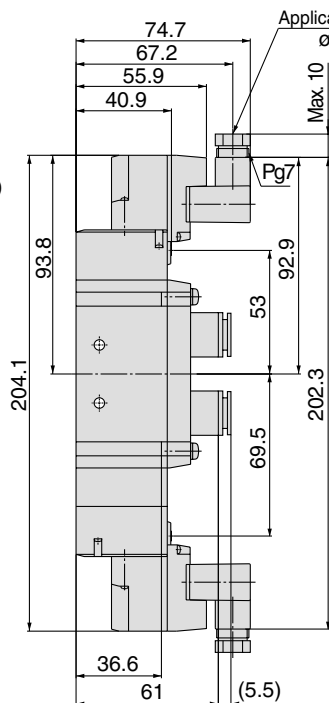
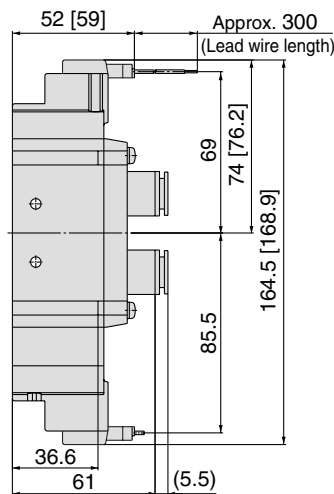
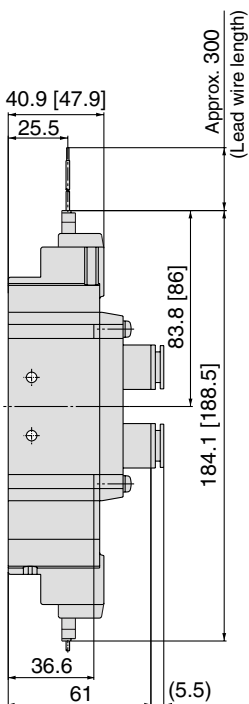


L plug connector (L):
SY9³/₅420-□^L□□-C^{8, N9}□□-C^{10, N11}□□
C¹²

M plug connector (M):
SY9³/₅420-□^M□□-C^{8, N9}□□-C^{10, N11}□□
C¹²

DIN terminal (D, Y):
SY9³/₅420-□^D□□-C^{8, N9}□□-C^{10, N11}□□
C¹²

M8 connector (WO):
SY9³/₅420-□^{WO}□□-C^{8, N9}□□-C^{10, N11}□□
C¹²



- SJ
- SY**
- SV
- SYJ
- SZ
- VP4
- S0700
- VQ
- VQ4
- VQ5
- VQC
- VQZ
- SQ
- VFS
- VFR
- VQ7

Note) Refer to page 340 for dimensions of connector types.

5 Port Solenoid Valve Base Mounted/Single Unit



Series SY3000/5000/7000/9000

How to Order

SY 5 2 40 **5 L**

Series

3	SY3000
5	SY5000
7	SY7000
9	SY9000

Type of actuation

1	2 position single (A)(B) 4 2 5 1 3 (EA)(P)(EB)
2	2 position double (A)(B) 4 2 5 1 3 (EA)(P)(EB)
3	3 position closed center (A)(B) 4 2 5 1 3 (EA)(P)(EB)
4	3 position exhaust center (A)(B) 4 2 5 1 3 (EA)(P)(EB)
5	3 position pressure center (A)(B) 4 2 5 1 3 (EA)(P)(EB)

Pilot type

Nil	Internal pilot
R	External pilot

Coil specifications

Nil	Standard
T	With power saving circuit (24, 12 VDC only)

* Power saving circuit is not available in the case of D, Y, DO, YO or W□ type.

Rated voltage

For DC

5	24 VDC
6	12 VDC
V	6 VDC
S	5 VDC
R	3 VDC

For AC (50/60 Hz)

1	100 VAC
2	200 VAC
3	110 VAC [115 VAC]
4	220 VAC [230 VAC]

* DC specifications of type D, Y, DO and YO is only available with 12 and 24 VDC.
* For type W□, DC voltage is only available.

Port size

Symbol	Port size	Applicable series
Nil	Without sub-plate	
01	1/8 With sub-plate	SY3000
02	1/4 With sub-plate	SY5000 SY7000
03	3/8 With sub-plate	SY7000 SY9000
04	1/2 With sub-plate	SY9000

Thread type

Nil	Rc
F	G
N	NPT
T	NPTF

Made to Order

Nil	—
X90	Main valve fluoro rubber (Refer to page 332.)

CE-compliant

Nil	—
Q	CE-compliant

* For DC only except DIN terminal.

Manual override

Nil: Non-locking push type	D: Push-turn locking slotted type	E: Push-turn locking lever type
-----------------------------------	--	--

Light/surge voltage suppressor

Electrical entry for G, H, L, M, W

Nil	Without light/surge voltage suppressor
S	With surge voltage suppressor
Z	With light/surge voltage suppressor
R	With surge voltage suppressor (Non-polar type)
U	With light/surge voltage suppressor (Non-polar type)

* For AC voltage valves there is no "S" option. It is already built-in to the rectifier circuit.
* For "R" and "U", DC voltage is only available.
* Power saving circuit is only available in the "Z" type.

Electrical entry for D, Y

Nil	Without light/surge voltage suppressor
S	With surge voltage suppressor (Non-polar type)
Z	With light/surge voltage suppressor (Non-polar type)

* DOZ and YOZ are not available.
* For AC voltage valves there is no "S" option. It is already built-in to the rectifier circuit.

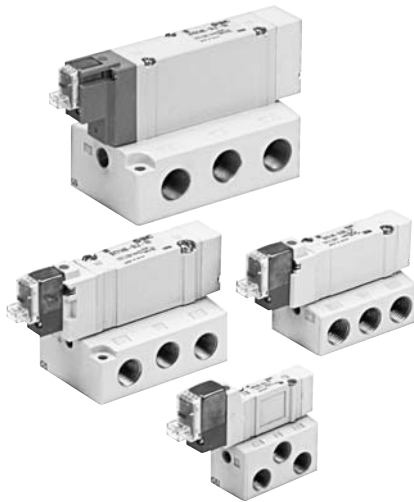
Electrical entry

24, 12, 6, 5, 3 VDC / 100, 110, 200, 220 VAC				24, 12 VDC/ 100, 110, 200, 220 VAC	24, 12, 6, 5, 3 VDC
Grommet	L plug connector	M plug connector	DIN terminal	DIN terminal	M8 connector
G: Lead wire length 300 mm	L: With lead wire (Length 300 mm)	M: With lead wire (Length 300 mm)	MN: Without lead wire	(Except SY3000) D, Y: With connector	WO: Without connector cable
H: Lead wire length 600 mm	LN: Without lead wire	LO: Without connector	MO: Without connector	DO, YO: Without connector	W□: With connector cable (Note)

* LN, MN type: with 2 sockets.
* For DIN terminal of SY3000 series, refer to page 337.
* "Y" type is a DIN terminal conforming to EN-175301-803C (former DIN43650C). For details, refer to page 336.
* For connector cable of M8 connector, refer to page 339.
* M8 connector conforming to IEC60947-5-2 standard is also available. Refer to page 331 for details.
* Refer to page 336 for the lead wire length of L and M plug connectors.
* Refer to page 337 for the connector assembly with cover for L and M plug connectors.
Note) Enter the cable length symbols in □. Please be sure to fill in the blank referring to page 340.

Base Mounted *Series SY3000/5000/7000/9000*

Specifications



Made to Order
(For details, refer to pages 324 to 332.)

Series		SY3000	SY5000	SY7000	SY9000
Fluid		Air			
Internal pilot Operating pressure range (MPa)	2 position single	0.15 to 0.7			
	2 position double	0.1 to 0.7			
	3 position	0.2 to 0.7			
External pilot Operating pressure range (MPa)	Operating pressure range		-100 kPa to 0.7		
	Pilot pressure range	2 position single	0.25 to 0.7		
		2 position double	0.25 to 0.7		
	3 position	0.25 to 0.7			
Ambient and fluid temperature (°C)		-10 to 50 (No freezing.)			
Max. operating frequency (Hz)	2 position single, double	10	5	5	5
	3 position	3	3	3	3
Manual override (Manual operation)		Non-locking push type, Push-turn locking slotted type, Push-turn locking lever type			
Pilot exhaust method	Internal pilot	Common exhaust type for main and pilot valve			
	External pilot	Pilot valve individual exhaust			
Lubrication		Not required			
Mounting orientation		Unrestricted			
Impact/Vibration resistance (m/s ²) ^{Note)}		150/30			
Enclosure		Dust proof (* DIN terminal and M8 connector: IP65)			



* Based on IEC60529

Note) Impact resistance: No malfunction occurred when it is tested in the axial direction and at the right angles to the main valve and armature in both energized and de-energized states every once for each condition. (Values at the initial period)

Vibration resistance: No malfunction occurred in a one-sweep test between 45 and 2000 Hz. Test was performed at both energized and de-energized states in the axial direction and at the right angles to the main valve and armature. (Values at the initial period)

Response Time



Note) Based on dynamic performance test, JIS B 8375-1981. (Coil temperature: 20°C, at rated voltage)

SY3000

Type of actuation	Response time (ms) (at the pressure of 0.5 MPa)		
	Without light/surge voltage suppressor	With light/surge voltage suppressor	
		Type S, Z	Type R, U
2 position single	12 or less	15 or less	12 or less
2 position double	10 or less	13 or less	10 or less
3 position	15 or less	20 or less	16 or less

SY5000

Type of actuation	Response time (ms) (at the pressure of 0.5 MPa)		
	Without light/surge voltage suppressor	With light/surge voltage suppressor	
		Type S, Z	Type R, U
2 position single	19 or less	26 or less	19 or less
2 position double	18 or less	22 or less	18 or less
3 position	32 or less	38 or less	32 or less

SY7000

Type of actuation	Response time (ms) (at the pressure of 0.5 MPa)		
	Without light/surge voltage suppressor	With light/surge voltage suppressor	
		Type S, Z	Type R, U
2 position single	31 or less	38 or less	33 or less
2 position double	27 or less	30 or less	28 or less
3 position	50 or less	56 or less	50 or less

SY9000

Type of actuation	Response time (ms) (at the pressure of 0.5 MPa)		
	Without light/surge voltage suppressor	With light/surge voltage suppressor	
		Type S, Z	Type R, U
2 position single	35 or less	41 or less	35 or less
2 position double	35 or less	41 or less	35 or less
3 position	62 or less	64 or less	62 or less

Solenoid Specifications

Electrical entry	Grommet (G), (H) L plug connector (L) M plug connector (M)		DIN terminal (D), (Y) M8 connector (W)	
	G, H, L, M, W		D, Y	
Coil rated voltage (V)	DC	24, 12, 6, 5, 3		24, 12
	AC 50/60 Hz	100, 110, 200, 220		
Allowable voltage fluctuation	±10% of rated voltage*			
Power consumption (W)	DC	Standard	0.35 (With indicator light: 0.4 DIN terminal with indicator light: 0.45)	
		With power saving circuit	0.1 (With indicator light only)	
Apparent power (VA)*	AC	100 V	0.78 (With indicator light: 0.81)	0.78 (With indicator light: 0.87)
		110 V	0.86 (With indicator light: 0.89)	0.86 (With indicator light: 0.97)
		[115 V]	[0.94 (With indicator light: 0.97)]	[0.94 (With indicator light: 1.07)]
		200 V	1.18 (With indicator light: 1.22)	1.15 (With indicator light: 1.30)
		[230 V]	[1.30 (With indicator light: 1.34)]	[1.27 (With indicator light: 1.46)]
		[1.42 (With indicator light: 1.46)]	[1.39 (With indicator light: 1.60)]	
Surge voltage suppressor	Diode (Varistor is for DIN terminal and Non-polar type.)			
Indicator light	LED (AC of DIN connector is neon light.)			



* In common between 110 VAC and 115 VAC, and between 220 VAC and 230 VAC.

* For 115 VAC and 230 VAC, the allowable voltage is -15% to +5% of rated voltage.

* S, Z and T type (with power saving circuit) should be used within the following allowable voltage fluctuation range due to a voltage drop caused by the internal circuit.

S and Z type: 24 VDC: -7% to +10%

12 VDC: -4% to +10%

T type: 24 VDC: -8% to +10%

12 VDC: -6% to +10%

Series SY3000/5000/7000/9000

Flow Characteristics/Mass

Series SY3000

Valve model	Type of actuation		Port size	Flow characteristics ^{Note 1)}						Mass (g) ^{Note 2)}		
				1 → 4/2 (P → A/B)			4/2 → 5/3 (A/B → EA/EB)			Grommet	L plug connector, M plug connector	W M8 connector
				C (dm ³ /s·bar)	b	Cv	C (dm ³ /s·bar)	b	Cv			
SY3□40-□-01	2 position	Single	1/8	1.0	0.30	0.24	1.1	0.30	0.26	84 (50)	85 (53)	89 (57)
		Double								102 (68)	107 (73)	115 (81)
	3 position	Closed center		0.77	0.28	0.18	0.85	0.30	0.19	104 (69)	109 (74)	117 (82)
		Exhaust center		0.73	0.31	0.18	1.1 [0.55]	0.26 [0.52]	0.24 [0.16]			
		Pressure center		1.2 [0.51]	0.24 [0.45]	0.29 [0.14]	0.89	0.47	0.24			

Note 1) [] : denotes the normal position. Note 2) () : denotes without sub-plate.

Series SY5000

Valve model	Type of actuation		Port size	Flow characteristics ^{Note 1)}						Mass (g) ^{Note 2)}			
				1 → 4/2 (P → A/B)			4/2 → 5/3 (A/B → EA/EB)			Grommet	L plug connector, M plug connector	DIN terminal	W M8 connector
				C (dm ³ /s·bar)	b	Cv	C (dm ³ /s·bar)	b	Cv				
SY5□40-□-02	2 position	Single	1/4	2.4	0.41	0.64	2.8	0.29	0.66	121 (58)	123 (61)	154 (92)	127 (65)
		Double								139 (76)	144 (81)	186 (123)	152 (89)
	3 position	Closed center		1.8	0.47	0.50	1.8	0.40	0.47	144 (82)	150 (87)	192 (129)	158 (95)
		Exhaust center		1.4	0.55	0.44	3.0 [1.2]	0.33 [0.48]	0.72 [0.37]				
		Pressure center		3.3 [0.84]	0.36 [0.60]	0.85 [0.28]	1.8	0.40	0.48				

Note 1) [] : denotes the normal position. Note 2) () : denotes without sub-plate.

Series SY7000

Valve model	Type of actuation		Port size	Flow characteristics ^{Note 1)}						Mass (g) ^{Note 2)}			
				1 → 4/2 (P → A/B)			4/2 → 5/3 (A/B → EA/EB)			Grommet	L plug connector, M plug connector	DIN terminal	W M8 connector
				C (dm ³ /s·bar)	b	Cv	C (dm ³ /s·bar)	b	Cv				
SY7□40-□-02	2 position	Single	1/4	4.1	0.41	1.1	4.1	0.29	1.0	218 (89)	221 (92)	242 (113)	225 (96)
		Double								237 (108)	242 (113)	284 (155)	250 (121)
	3 position	Closed center		3.0	0.43	0.80	2.6	0.41	0.72	239 (110)	245 (116)	287 (158)	253 (124)
		Exhaust center		2.6	0.42	0.71	4.7 [1.7]	0.35 [0.48]	1.1 [0.49]				
		Pressure center		5.3 [2.3]	0.39 [0.49]	1.3 [0.65]	2.2	0.49	0.63				
SY7□40-□-03	2 position	Single	3/8	4.9	0.29	1.2	4.5	0.27	1.1	218 (89)	221 (92)	242 (113)	225 (96)
		Double								237 (108)	242 (113)	284 (155)	250 (121)
	3 position	Closed center		3.0	0.40	0.80	2.6	0.45	0.73	239 (110)	245 (116)	287 (158)	253 (124)
		Exhaust center		2.6	0.42	0.71	4.8 [1.7]	0.35 [0.48]	1.1 [0.49]				
		Pressure center		5.3 [2.3]	0.31 [0.51]	1.3 [0.64]	2.3	0.45	0.66				

Note 1) [] : denotes the normal position. Note 2) () : denotes without sub-plate.

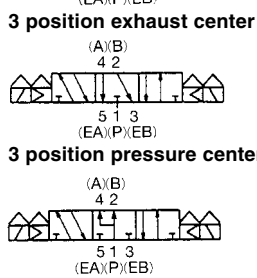
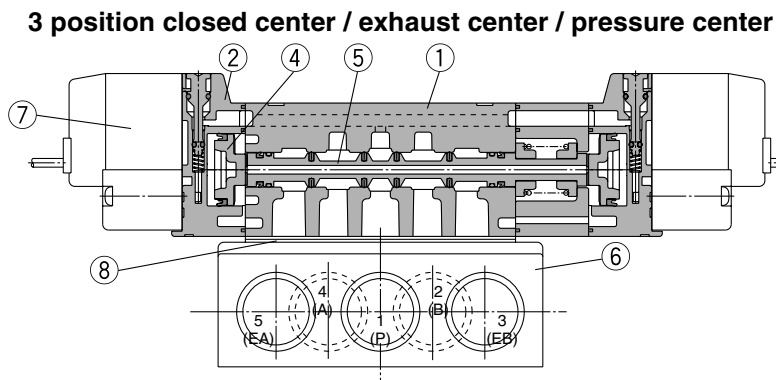
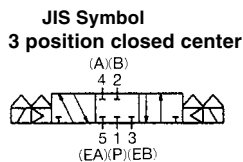
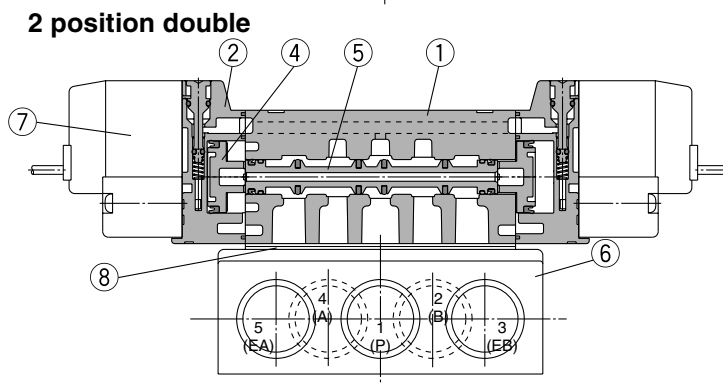
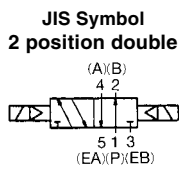
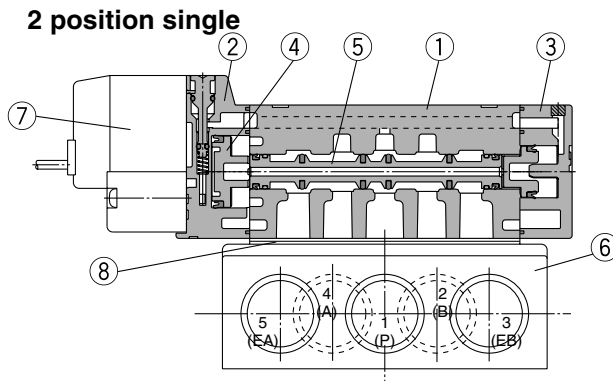
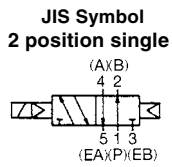
Series SY9000

Valve model	Type of actuation		Port size	Flow characteristics ^{Note 1)}						Mass (g) ^{Note 2)}			
				1 → 4/2 (P → A/B)			4/2 → 5/3 (A/B → EA/EB)			Grommet	L plug connector, M plug connector	DIN terminal	W M8 connector
				C (dm ³ /s·bar)	b	Cv	C (dm ³ /s·bar)	b	Cv				
SY9□40-□-03	2 position	Single	3/8	7.9	0.34	2.0	9.6	0.43	2.6	469(172)	472(175)	493(196)	476(179)
		Double								488(191)	494(197)	535(239)	502(205)
	3 position	Closed center		7.5	0.33	1.8	7.3	0.30	1.7	512(215)	518(221)	560(263)	526(229)
		Exhaust center		7.2	0.34	1.7	13 [4.0]	0.23 [0.41]	2.8 [0.95]				
		Pressure center		12 [3.3]	0.26 [0.41]	2.8 [0.84]	6.7	0.40	1.9				
SY9□40-□-04	2 position	Single	1/2	8.0	0.48	2.2	10	0.29	2.5	448 (172)	453 (175)	472	457(179)
		Double								467 (191)	473 (197)	515	481(205)
	3 position	Closed center		7.6	0.32	1.8	7.3	0.32	1.8	491 (215)	497 (221)	539	505(229)
		Exhaust center		7.3	0.42	2.0	13 [4.7]	0.32 [0.54]	3.6 [1.5]				
		Pressure center		12 [3.3]	0.33 [0.51]	3.3 [0.94]	7.4	0.33	1.9				

Note 1) [] : denotes the normal position. Note 2) () : denotes without sub-plate.

Construction

Series SY



(This figure shows a closed center type.)

Component Parts

No.	Description	Material	Note
1	Body	Aluminum die-casted (SY3000: Zinc die-casted)	White
2	Adapter plate	Resin	White (SY9000: Gray)
3	End plate	Resin	White
4	Piston	Resin	-
5	Spool valve assembly	Aluminum, H-NBR	-

Replacement Parts

No.	Description	Part No.				Note
		SY3□40	SY5□40	SY7□40	SY9□40	
6	Sub-plate ^{Note)}	SY3000-27-1[*](-Q)	SY5000-27-1[*](-Q)	1/4: SY7000-27-1[*](-Q) 3/8: SY7000-27-2[*](-Q)	3/8: SY9000-27-1[*](-Q) 1/2: SY9000-27-2[*](-Q)	Aluminum die-casted
7	Pilot valve assembly	Refer to "How to Order Pilot Valve Assembly" on page 130.				
8	Gasket	SY3000-11-25	SY5000-11-15	SY7000-11-11	SY9000-11-2	H-NBR
-	Round head combination screw	SY3000-23-4 (M2 x 21)	M3 x 26	M4 x 31	SY9000-18-2 (M3 x 42)	For valve mounting (Matt nickel plated)

* Thread type

Note) For CE-compliant, suffix "Q" at the end of part no.

⚠ Caution

Mounting screw tightening torques

M2: 0.16 N·m

M3: 0.8 N·m

M4: 1.4 N·m

SJ
SY
SV
SYJ
SZ
VP4
S0700
VQ
VQ4
VQ5
VQC
VQZ
SQ
VFS
VFR
VQ7

Series SY3000/5000/7000/9000

How to Order Pilot Valve Assembly

V111 - 5 G

Coil specifications

Nil	Standard
T	With power saving circuit (24 VDC, 12 VDC only)

* Power saving circuit is not available in the case of D, DO or W□ type.

Rated voltage

5	24 VDC
6	12 VDC
V	6 VDC
S	5 VDC
R	3 VDC
1	100 VAC ^{50/60} Hz
2	200 VAC ^{50/60} Hz
3	110 VAC ^{50/60} Hz [115 VAC ^{50/60} Hz]
4	220 VAC ^{50/60} Hz [230 VAC ^{50/60} Hz]

* For type W□, DC voltage is only available.
* CE-compliant: For DC only.

Light/surge voltage suppressor

Nil	Without light/surge voltage suppressor
S	With surge voltage suppressor
Z	With light/surge voltage suppressor
R	With surge voltage suppressor (Non-polar type)
U	With light/surge voltage suppressor (Non-polar type)

* For AC voltage valves there is no "S" option. It is already built-in to the rectifier circuit.
* For "R" and "U", DC voltage is only available.
* Power saving circuit is only available in the "Z" type.

Electrical entry

G	Grommet, 300 mm lead wire	
H	Grommet, 600 mm lead wire	
L		With lead wire
LN	L plug connector	Without lead wire
LO		Without connector
M		With lead wire
MN	M plug connector	Without lead wire
MO		Without connector
WO	M8	Without connector cable
W□	connector	With connector cable ^{Note 1)}

* For connector cable of M8 connector, refer to page 339.
Note 1) Enter the cable length symbols in □. Please be sure to fill in the blank referring to page 340.

DIN terminal type

V115 - 5 D

Rated voltage

5	24 VDC
6	12 VDC
1	100 VAC ^{50/60} Hz
2	200 VAC ^{50/60} Hz
3	110 VAC ^{50/60} Hz [115 VAC ^{50/60} Hz]
4	220 VAC ^{50/60} Hz [230 VAC ^{50/60} Hz]

* DC specifications of type D, Y, DO and YO is only available with 12 and 24 VDC.

Light/surge voltage suppressor

Nil	Without light/surge voltage suppressor
S	With surge voltage suppressor (Non-polar type)
Z	With light/surge voltage suppressor (Non-polar type)

* DOZ and YOZ are not available.
* For AC voltage valves there is no "S" option. It is already built-in to the rectifier circuit.

Electrical entry

D	DIN terminal	With connector
DO	(Type D)	Without connector
Y	DIN terminal	With connector
YO	(Type Y)	Without connector

Note) Do not replace V111 (G, H, L, M) to V115 (DIN terminal) and vice versa when replacing pilot valve assembly only.

Note) Since V111 and V115 are CE-compliant as standard, the suffix "-Q" is not necessary.

How to Order Interface Regulator

Series SY3000

ARBY3000-05-P-2

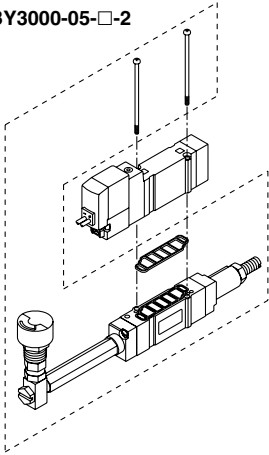
Pressure gauge connection port ●

05	Pressure gauge (G15-10-01)
M1	Plug (M-5P)

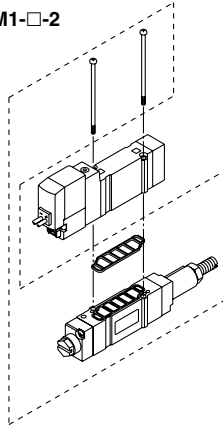
● Regulating port

P	P port
A1	A port (P controlled type, A port regulation)
B1	B port (P controlled type, B port regulation)

ARBY3000-05-□-2



ARBY3000-M1-□-2



Series SY5000

ARBY5000-00-P-2

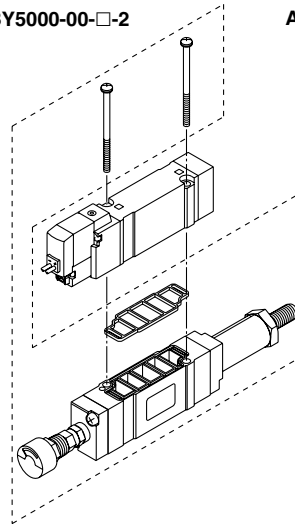
Pressure gauge connection port ●

00	Pressure gauge (G15-10-01)
M1	Plug (M-5P)

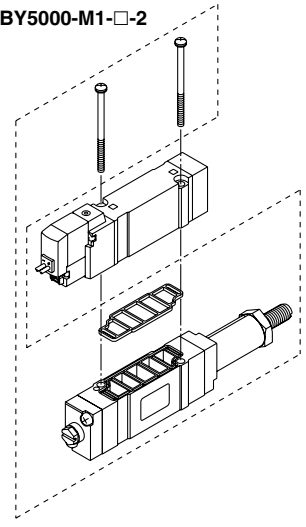
● Regulating port

P	P port
A1	A port (P controlled type, A port regulation)
B1	B port (P controlled type, B port regulation)

ARBY5000-00-□-2



ARBY5000-M1-□-2



Series SY7000

ARBY7000-00-P-2

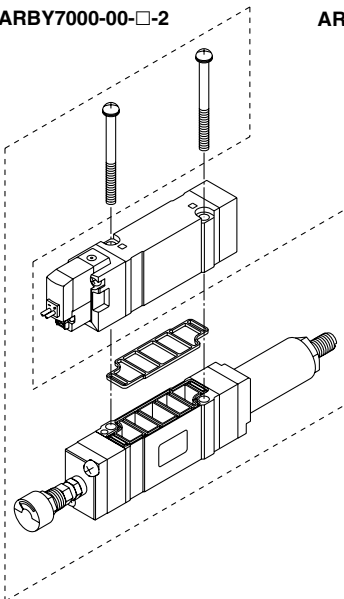
Pressure gauge connection port ●

00	Pressure gauge (G15-10-01)
M1	Plug (M-5P)

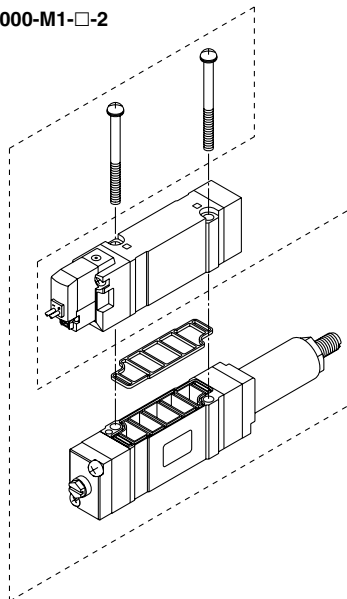
● Regulating port

P	P port
A1	A port (P controlled type, A port regulation)
B1	B port (P controlled type, B port regulation)

ARBY7000-00-□-2



ARBY7000-M1-□-2



- SJ
- SY**
- SV
- SYJ
- SZ
- VP4
- S0700
- VQ
- VQ4
- VQ5
- VQC
- VQZ
- SQ
- VFS
- VFR
- VQ7

Note) ARBY is not CE-compliant.

Accessory

Series	Round head combination screw	Gasket
ARBY3000	SY3000-23-10 (M2 x 36)	SX3000-57-4
ARBY5000	M3 x 48.5, Matt nickel plated	SX5000-57-6
ARBY7000	M4 x 57, Matt nickel plated	SX7000-57-4

Caution

Mounting screw
tightening torques

- M2: 0.16 N·m
- M3: 0.8 N·m
- M4: 1.4 N·m

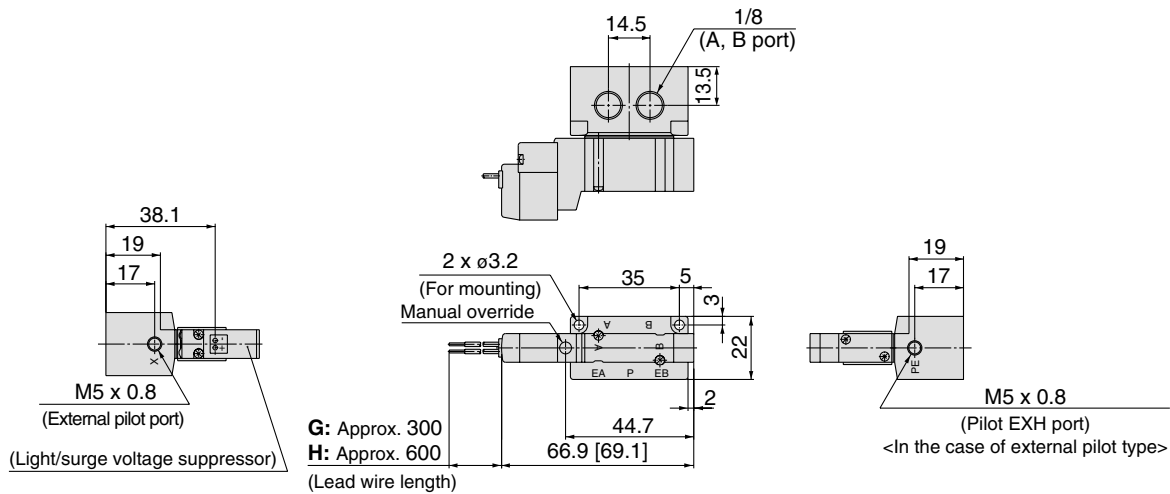
Series SY3000/5000/7000/9000



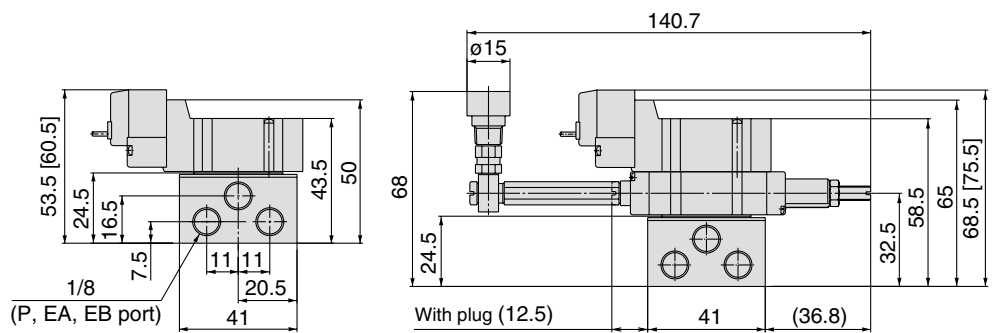
Dimensions: Series SY3000

2 position single

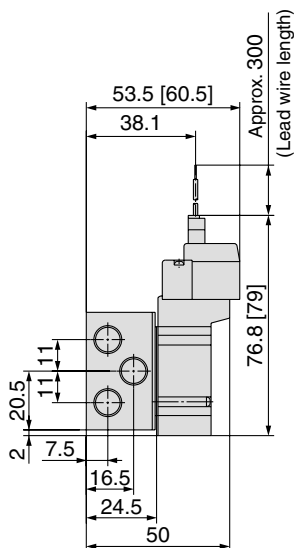
Grommet (G), (H): SY3140(R)-□^G□□-01□



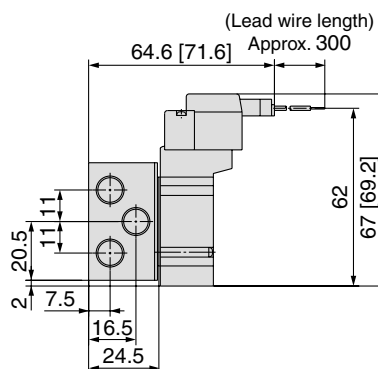
With interface regulator



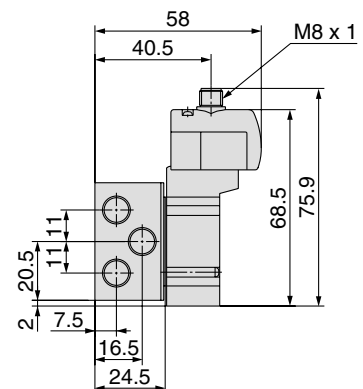
L plug connector (L):
 SY3140(R)-□L□□-01□



M plug connector (M):
 SY3140(R)-□M□□-01□



M8 connector (WO):
 SY3140(R)-□WO□□-01□



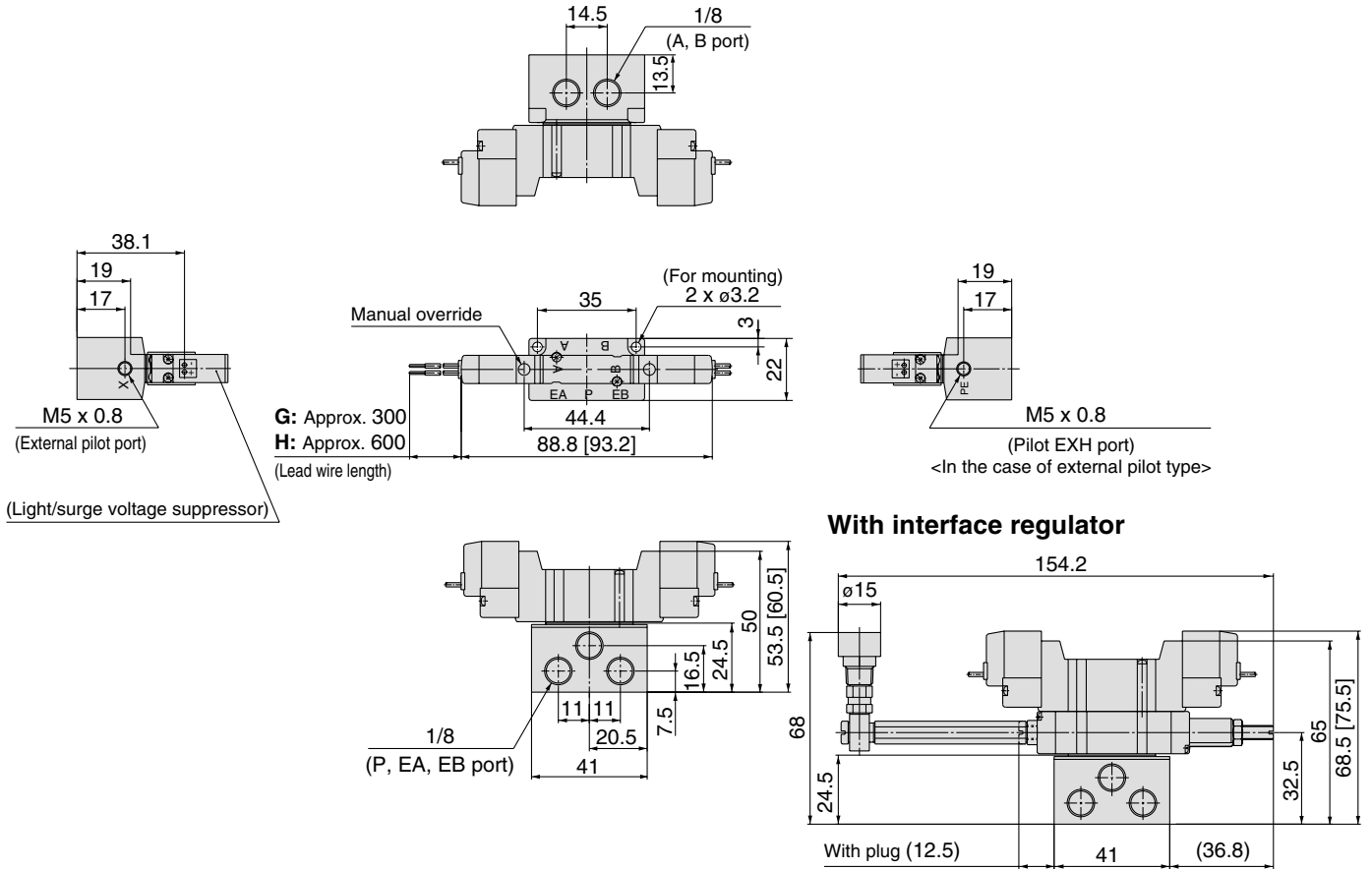
Note) Refer to page 340 for dimensions of connector types.

Dimensions: Series SY3000

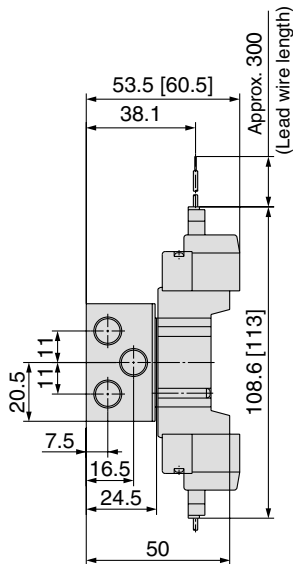


2 position double

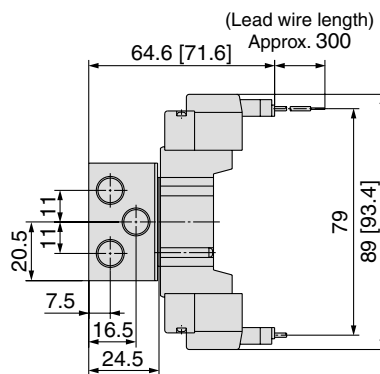
Grommet (G), (H): SY3240(R)-□^G□□-01□



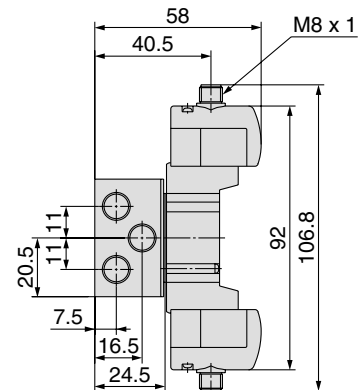
L plug connector (L):
SY3240(R)-□L□□-01□



M plug connector (M):
SY3240(R)-□M□□-01□



M8 connector (WO):
SY3240(R)-□WO□□-01□



Note) Refer to page 340 for dimensions of connector types.

SJ
SY
SV
SYJ
SZ
VP4
S0700
VQ
VQ4
VQ5
VQC
VQZ
SQ
VFS
VFR
VQ7

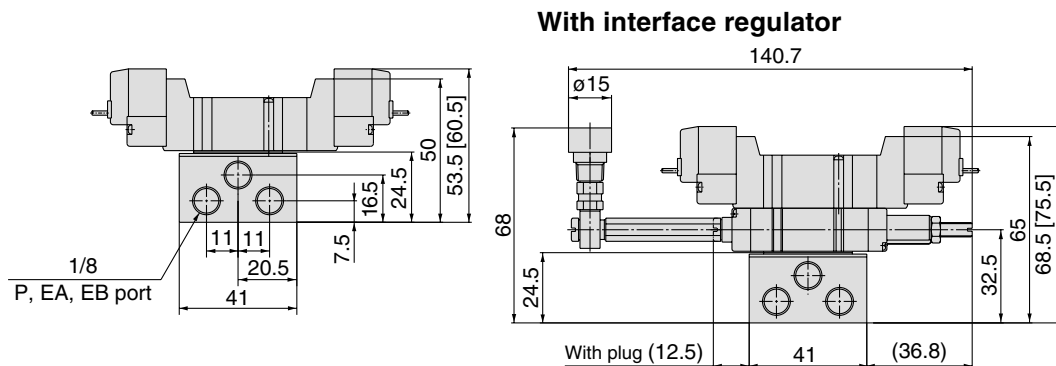
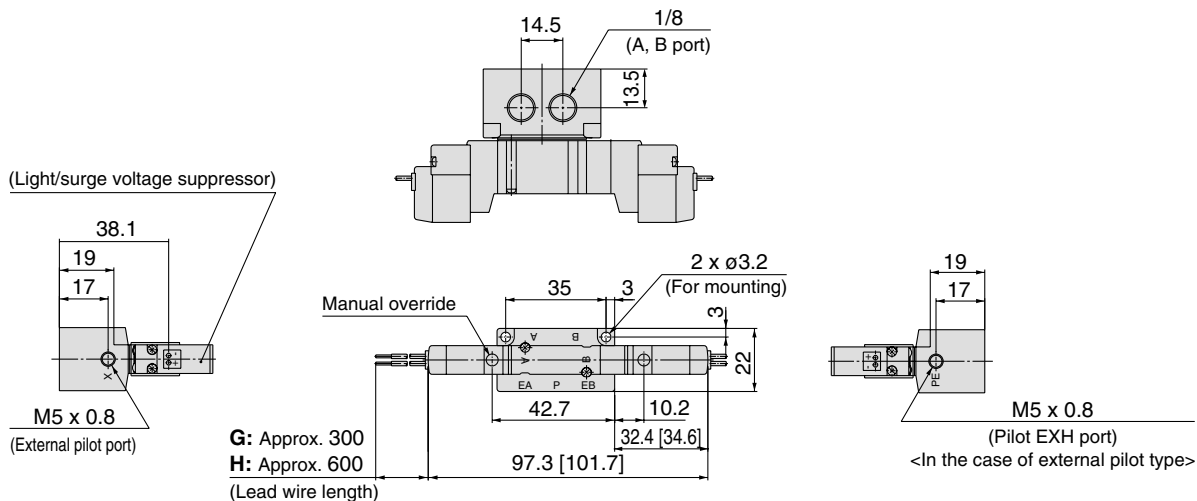
Series SY3000/5000/7000/9000



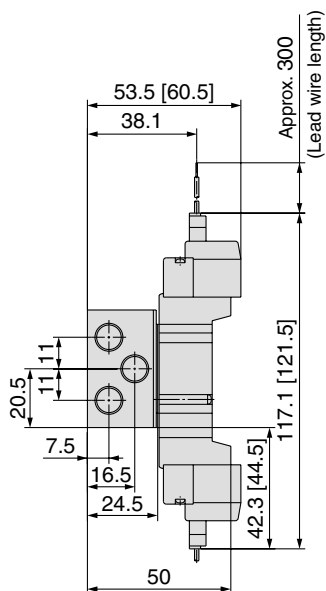
Dimensions: Series SY3000

3 position closed center / exhaust center / pressure center

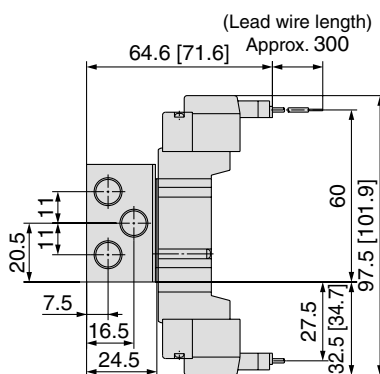
Grommet (G), (H): SY3³/₅40(R)-□^G□□-01□



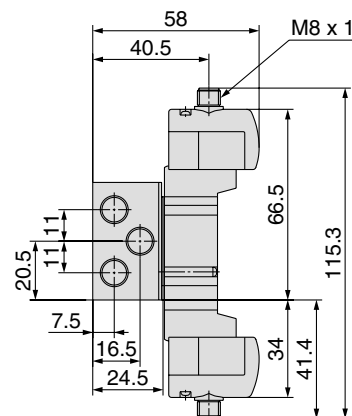
L plug connector (L):
SY3³/₅40(R)-□L□□-01□



M plug connector (M):
SY3³/₅40(R)-□M□□-01□



M8 connector (WO):
SY3³/₅40(R)-□WO□□-01□



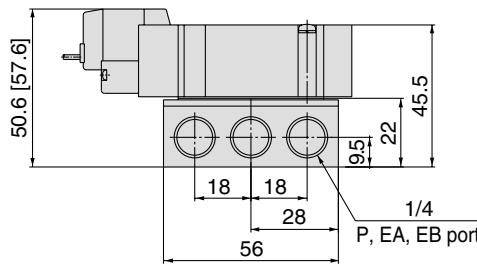
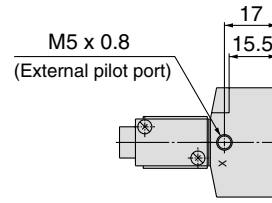
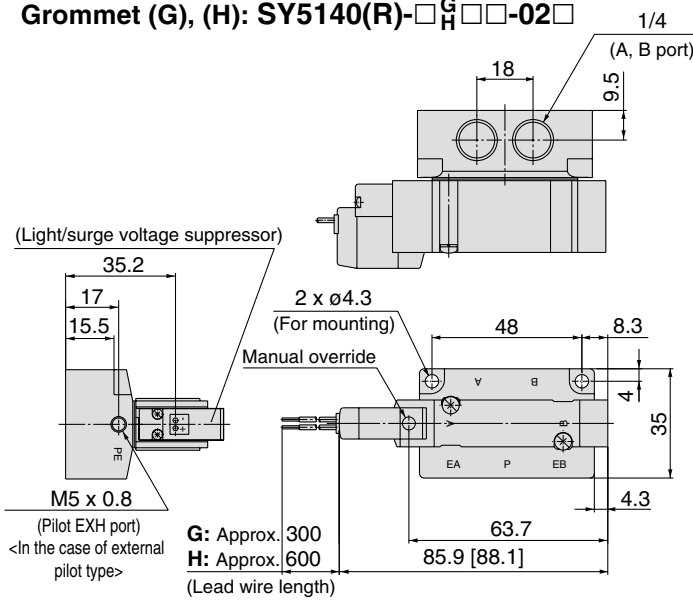
Note) Refer to page 340 for dimensions of connector types.



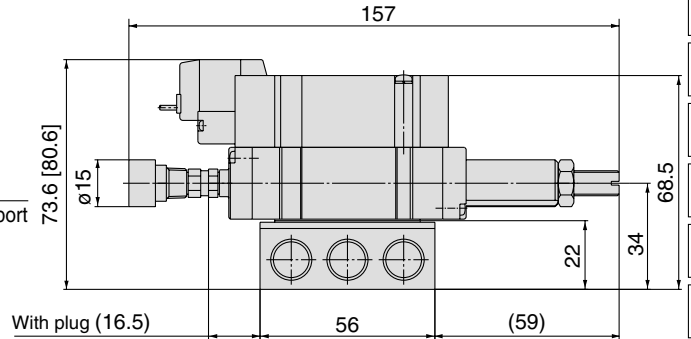
Dimensions: Series SY5000

2 position single

Grommet (G), (H): SY5140(R)-□^G□□□-02□



With interface regulator



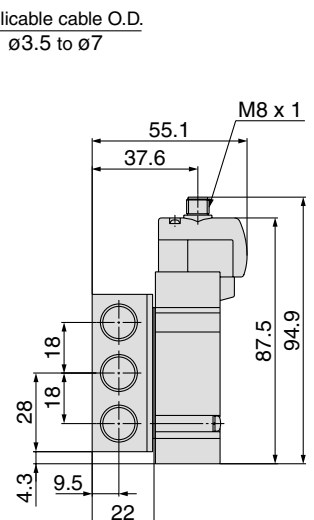
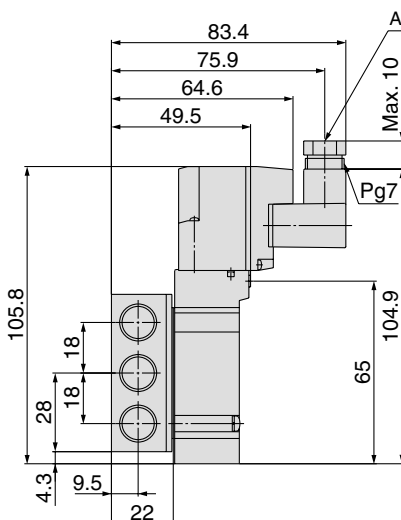
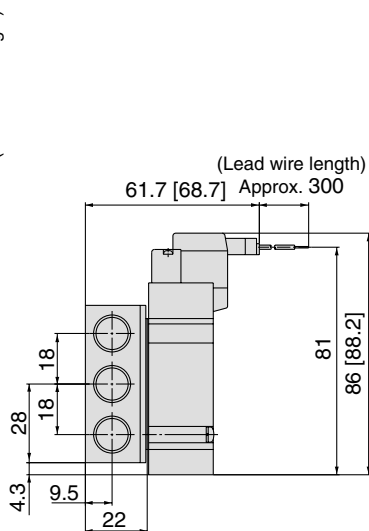
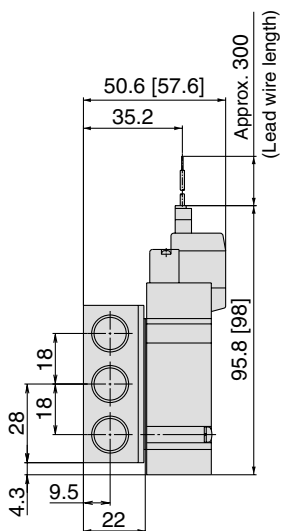
SJ
SY
SV
SYJ
SZ
VP4
S0700
VQ
VQ4
VQ5
VQC
VQZ
SQ
VFS
VFR
VQ7

L plug connector (L):
SY5140(R)-□L□□□-02□

M plug connector (M):
SY5140(R)-□M□□□-02□

DIN terminal (D, Y):
SY5140(R)-□^D□□□-02□

M8 connector (WO):
SY5140(R)-□WO□□□-02□



Note) Refer to page 340 for dimensions of connector types.

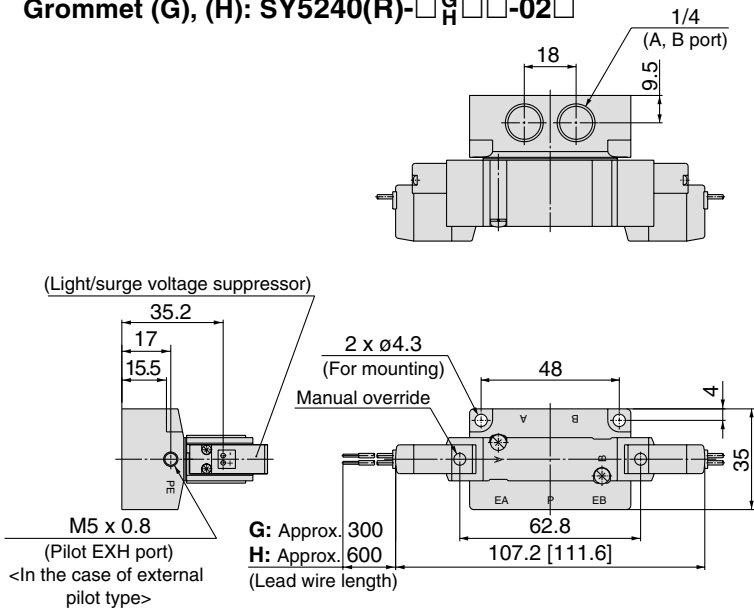
Series SY3000/5000/7000/9000

Dimensions: Series SY5000

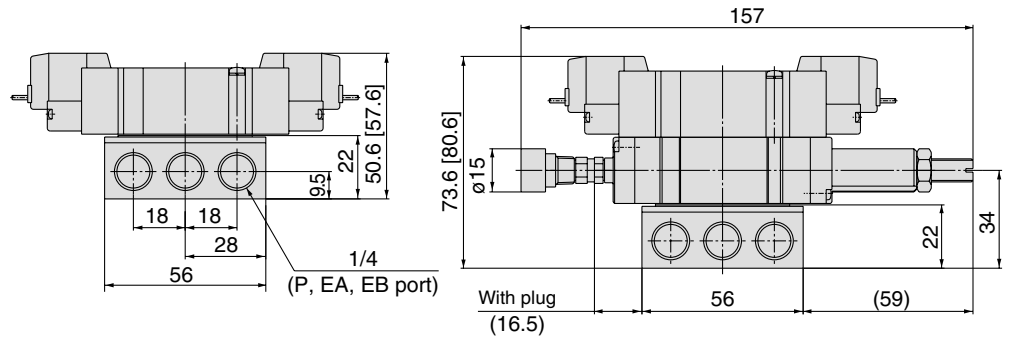


2 position double

Grommet (G), (H): SY5240(R)-□^G_H□□-02□



With interface regulator

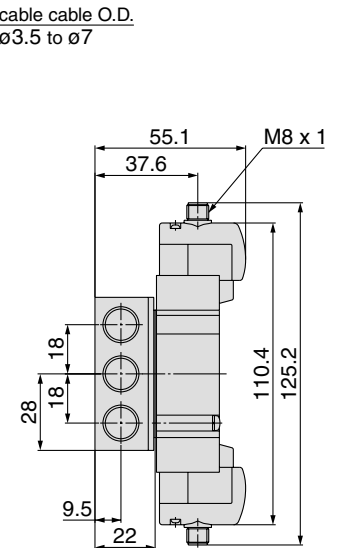
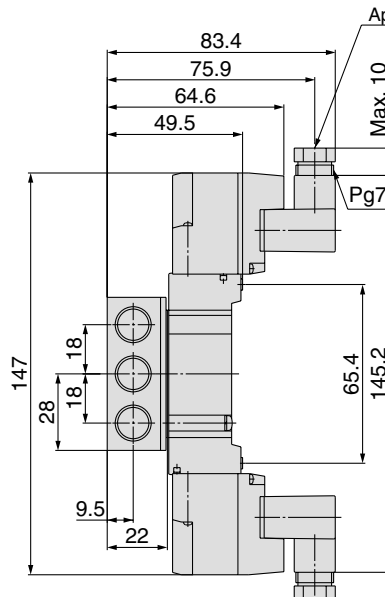
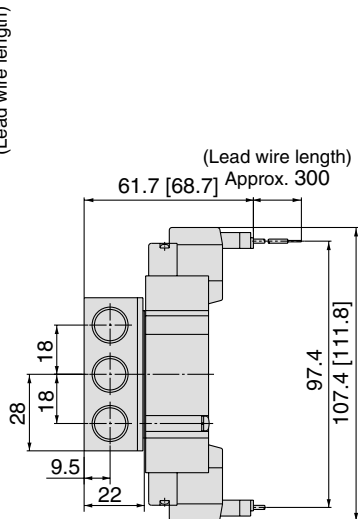
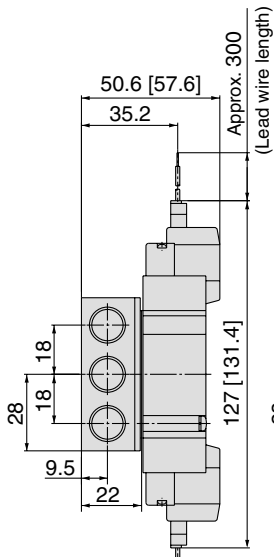


L plug connector (L): SY5240(R)-□L□□-02□

M plug connector (M): SY5240(R)-□M□□-02□

DIN terminal (D, Y): SY5240(R)-□^D_Y□□-02□

M8 connector (WO): SY5240(R)-□WO□□-02□



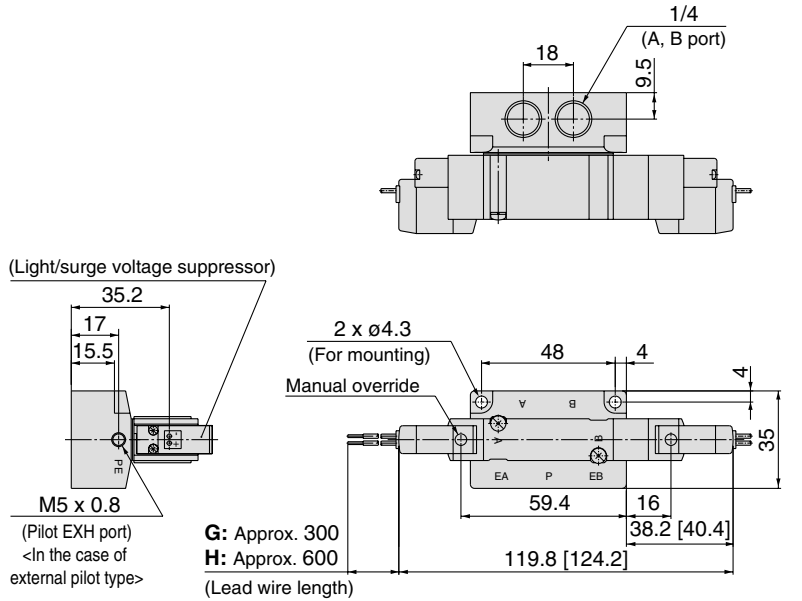
Note) Refer to page 340 for dimensions of connector types.

Dimensions: Series SY5000

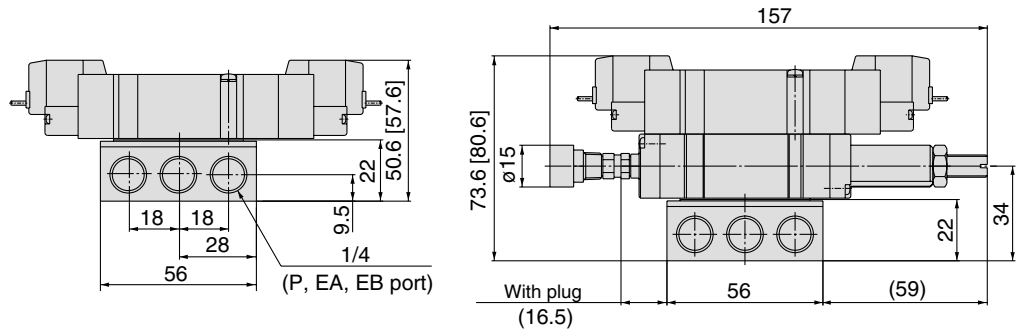


3 position closed center / exhaust center / pressure center

Grommet (G), (H): SY5³/₅40(R)-□^G□□-02□



With interface regulator

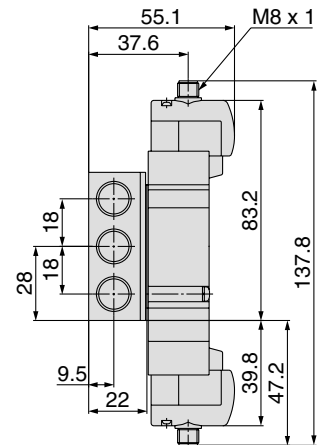
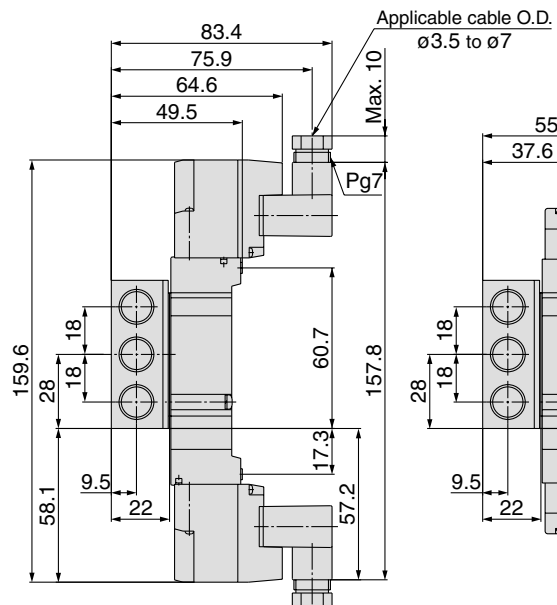
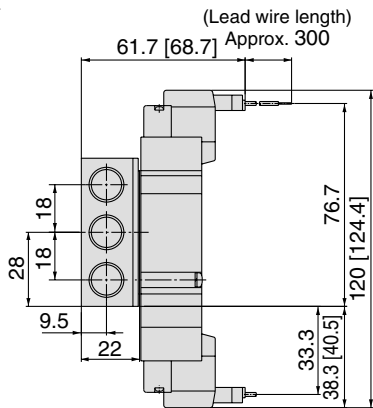
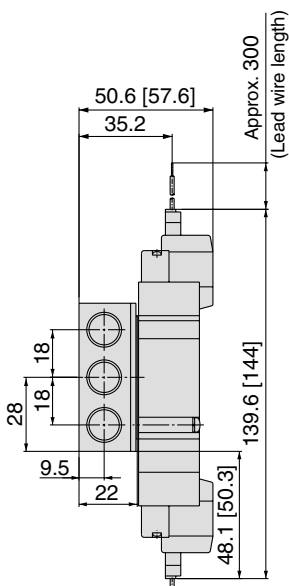


L plug connector (L):
SY5³/₅40(R)-□L□□-02□

M plug connector (M):
SY5³/₅40(R)-□M□□-02□

DIN terminal (D, Y):
SY5³/₅40(R)-□^D□□-02□

M8 connector (WO):
SY5³/₅40(R)-□WO□□-02□



Note) Refer to page 340 for dimensions of connector types.

SJ
SY
SV
SYJ
SZ
VP4
S0700
VQ
VQ4
VQ5
VQC
VQZ
SQ
VFS
VFR
VQ7

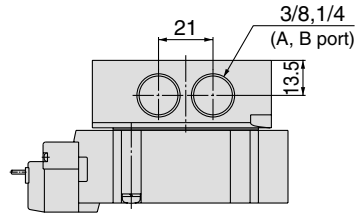
Series SY3000/5000/7000/9000



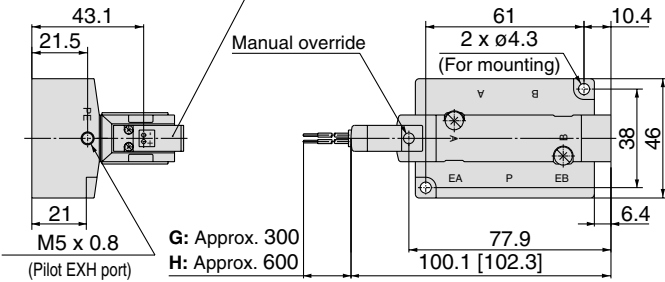
Dimensions: Series SY7000

2 position single

Grommet (G), (H): SY7140(R)-□_G□□-02□
 □_H□□-03□



(Light/surge voltage suppressor)

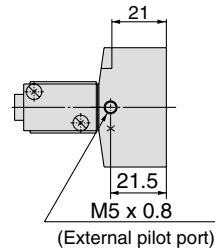


G: Approx. 300

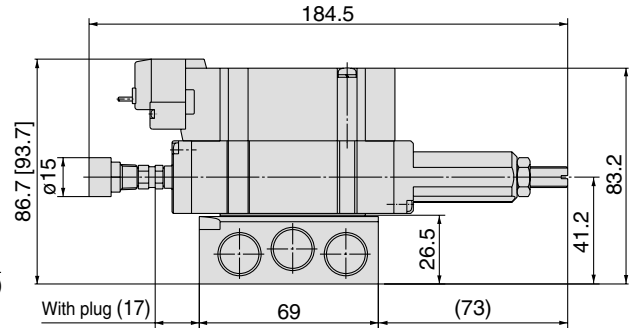
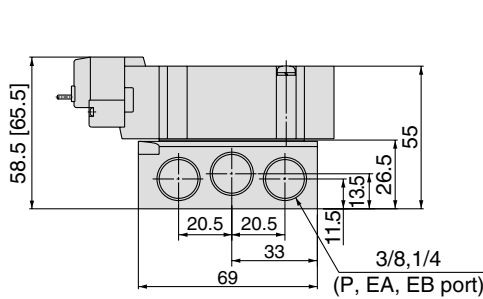
H: Approx. 600

(Lead wire length)

<In the case of external pilot type>



With interface regulator

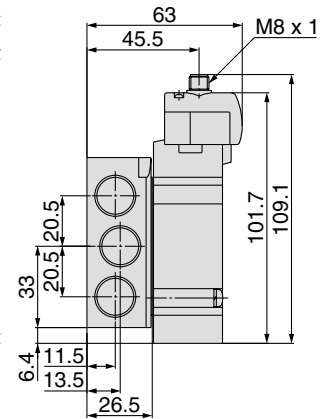
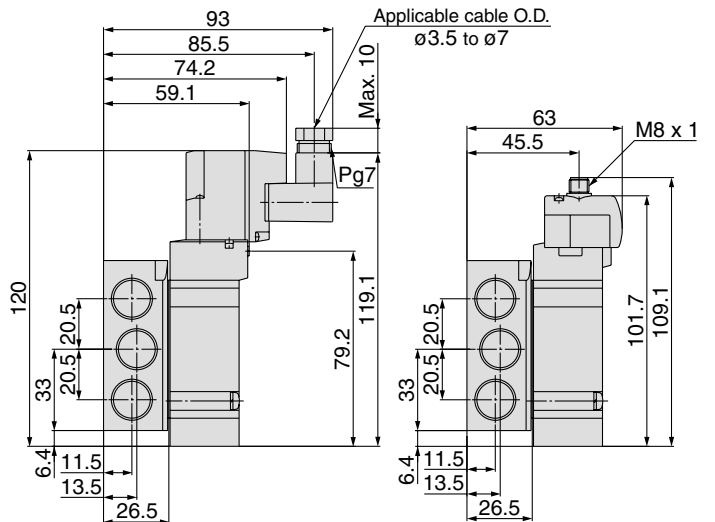
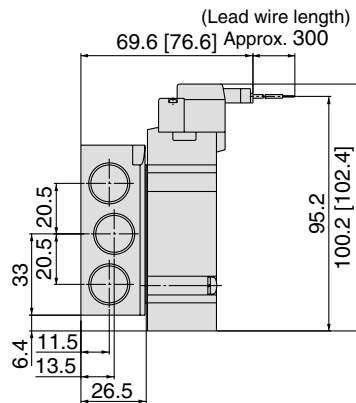
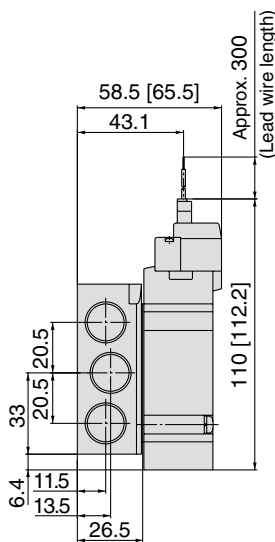


L plug connector (L):
 SY7140(R)-□L□□-02□
 □□□-03□

M plug connector (M):
 SY7140(R)-□M□□-02□
 □□□-03□

DIN terminal (D, Y):
 SY7140(R)-□_D□□-02□
 □□□-03□

M8 connector (WO):
 SY7140(R)-□WO□□-02□
 □□□-03□



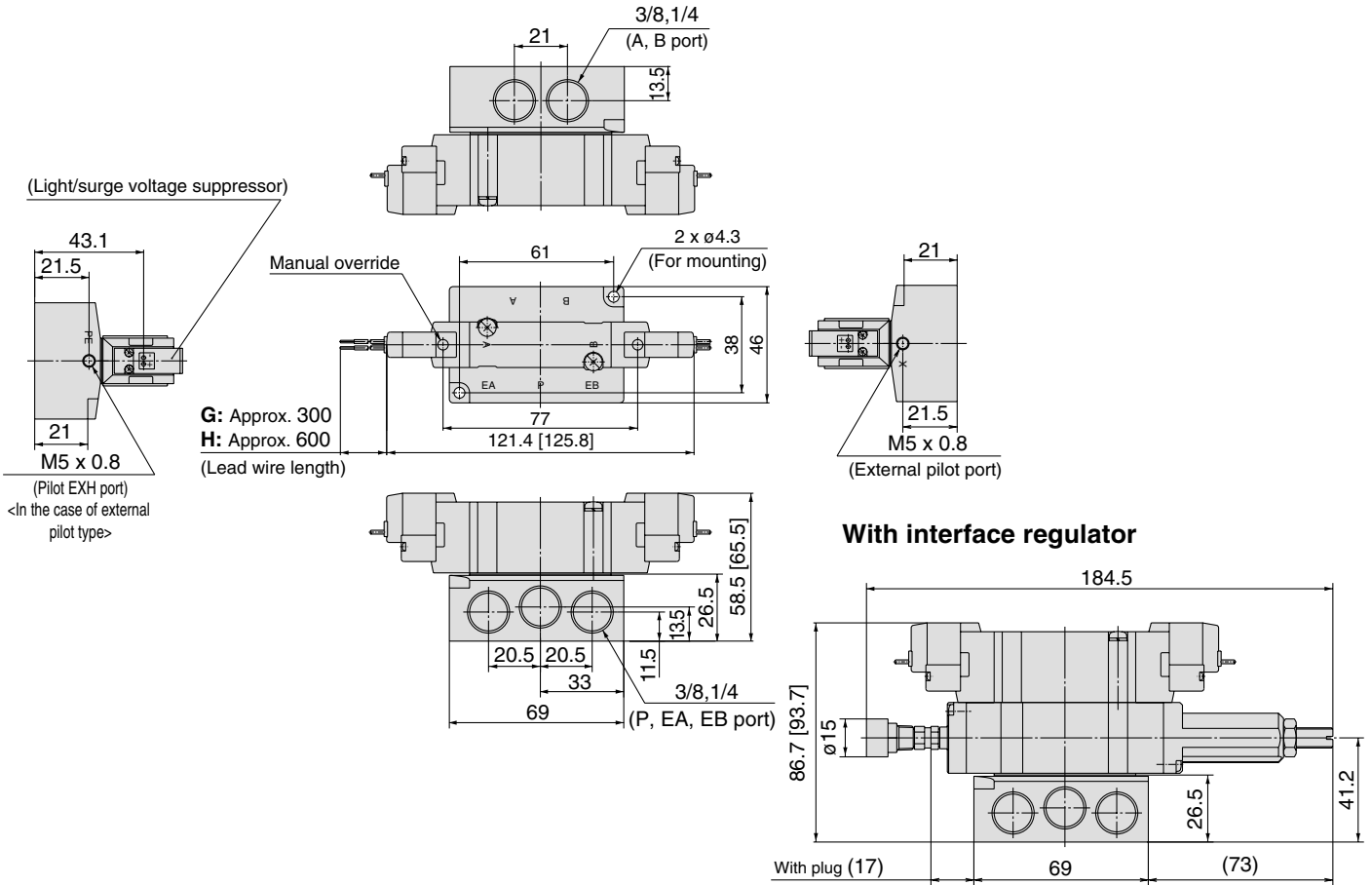
Note) Refer to page 340 for dimensions of connector types.

Dimensions: Series SY7000



2 position double

Grommet (G), (H): SY7240(R)-□^G□□-02□₀₃



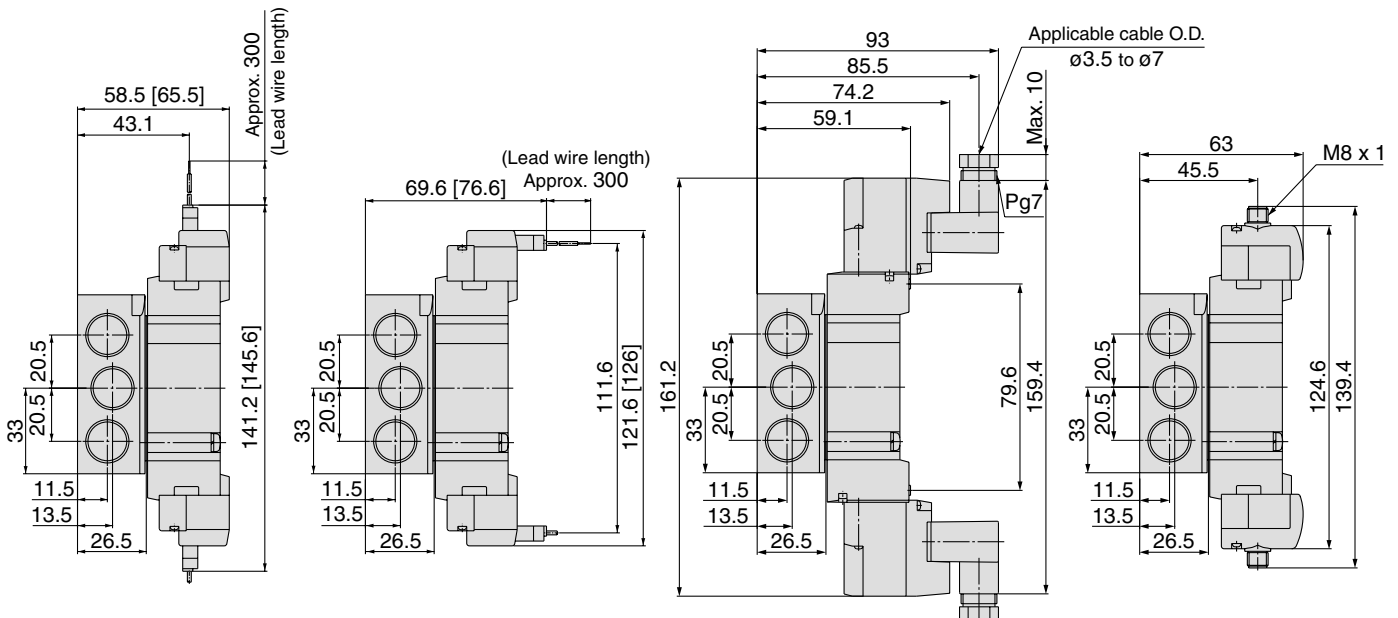
- SJ
- SY**
- SV
- SYJ
- SZ
- VP4
- S0700
- VQ
- VQ4
- VQ5
- VQC
- VQZ
- SQ
- VFS
- VFR
- VQ7

L plug connector (L): SY7240(R)-□L□□-02□₀₃

M plug connector (M): SY7240(R)-□M□□-02□₀₃

DIN terminal (D, Y): SY7240(R)-□D□□-02□₀₃

M8 connector (WO): SY7240(R)-□WO□□-02□₀₃



Note) Refer to page 340 for dimensions of connector types.

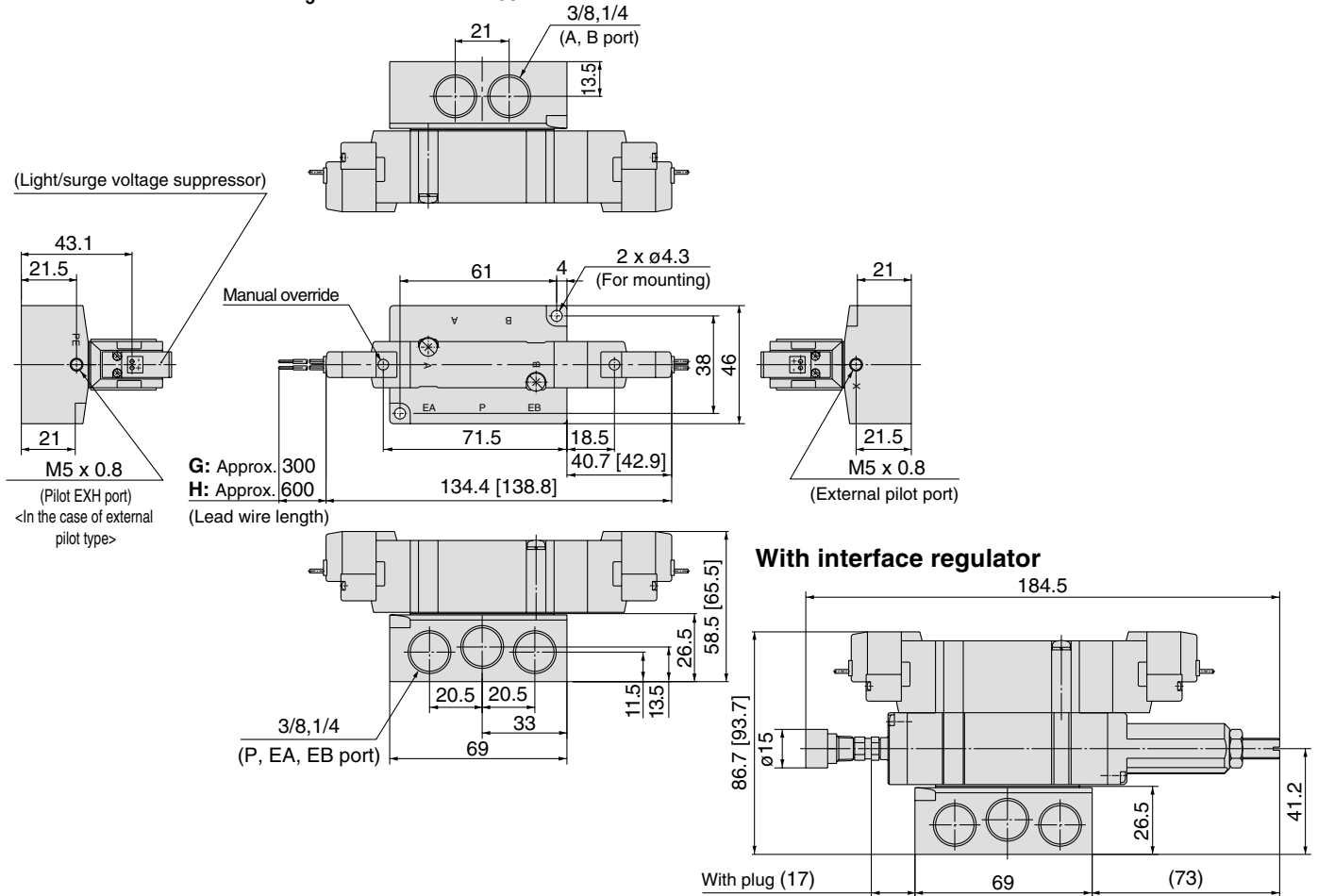
Series SY3000/5000/7000/9000



Dimensions: Series SY7000

3 position closed center / exhaust center / pressure center

Grommet (G), (H): SY7³/₅40(R)-□^G/_H□□-02/03□

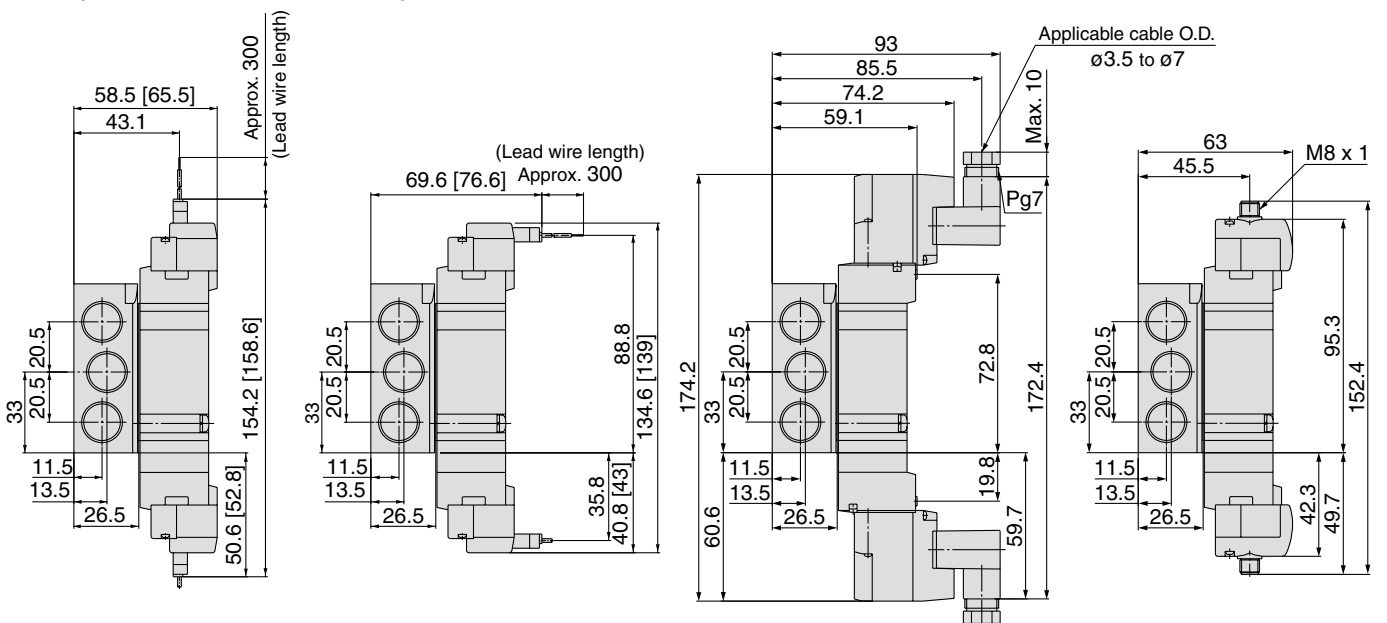


L plug connector (L):
SY7³/₅40(R)-□L□□-02/03□

M plug connector (M):
SY7³/₅40(R)-□M□□-02/03□

DIN terminal (D, Y):
SY7³/₅40(R)-□^D/_Y□□-02/03□

M8 connector (WO):
SY7³/₅40(R)-□WO□□-02/03□

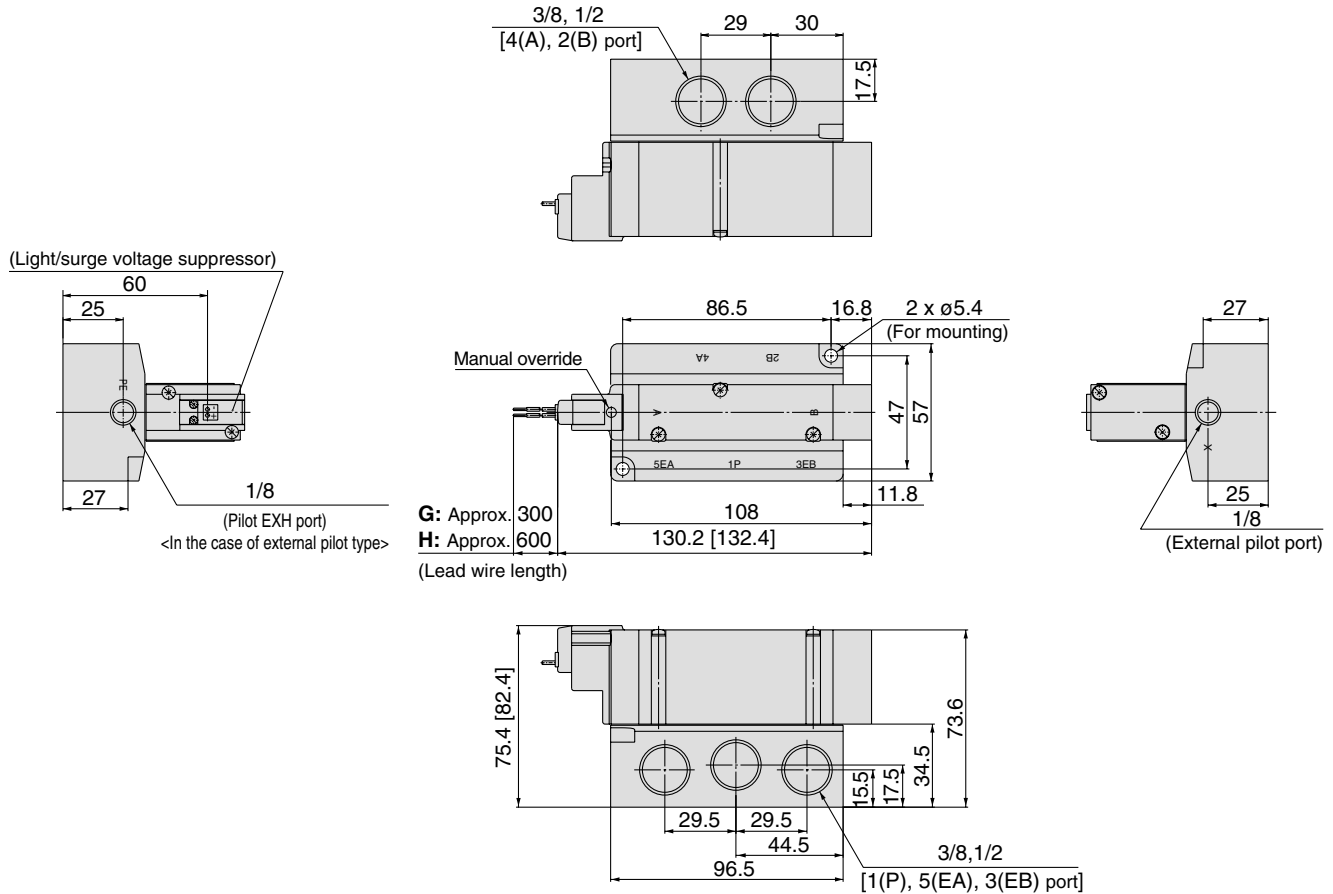


Note) Refer to page 340 for dimensions of connector types.

Dimensions: Series SY9000



2 position single
Grommet (G), (H): SYJ9140-□^G_H□□-03□

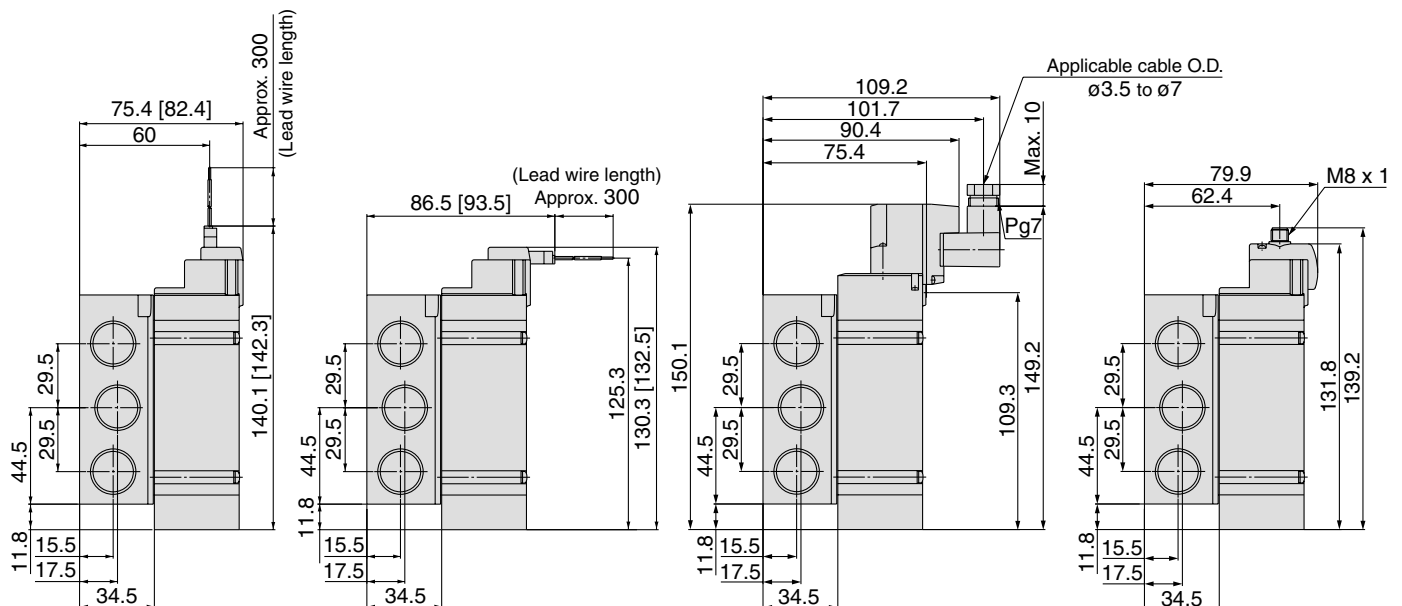


L plug connector (L):
SY9140(R)-□L□□-03□

M plug connector (M):
SY9140(R)-□M□□-03□

DIN terminal (D, Y):
SY9140(R)-□^D_Y□□-03□

M8 connector (WO):
SY9140(R)-□WO□□-03□



Note) Refer to page 340 for dimensions of connector types.

SJ
SY
SV
SYJ
SZ
VP4
S0700
VQ
VQ4
VQ5
VQC
VQZ
SQ
VFS
VFR
VQ7

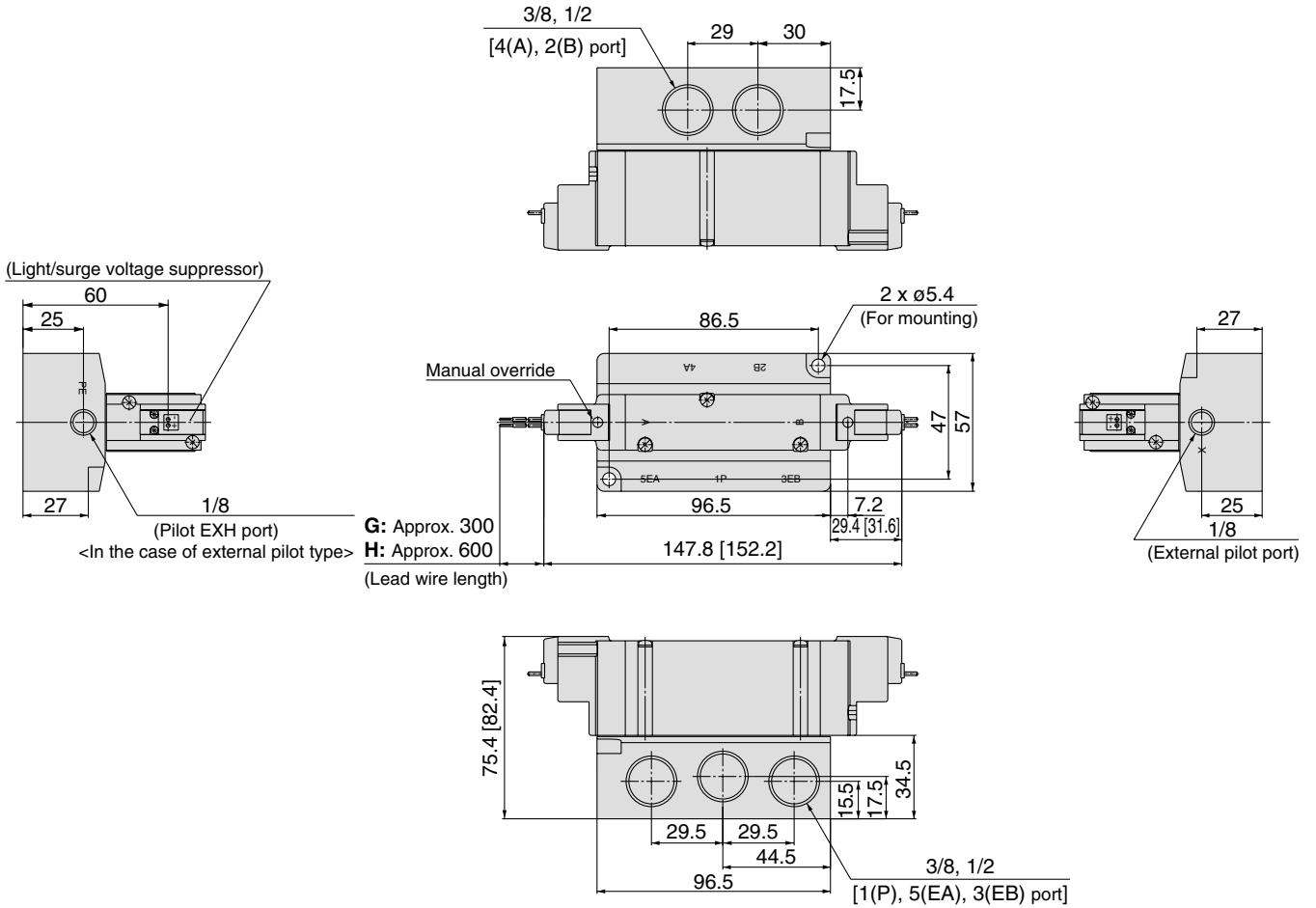
Series SY3000/5000/7000/9000

Dimensions: Series SY9000



2 position double

Grommet (G), (H): SY9240(R)-□G□□□-03□□

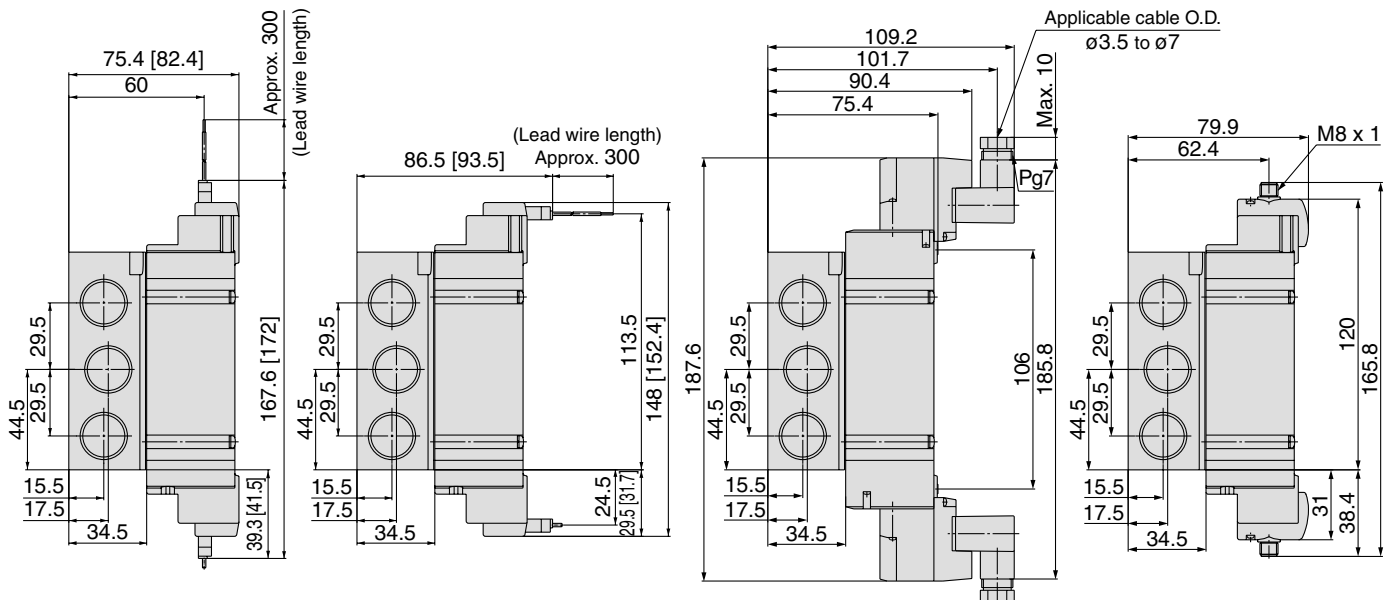


L plug connector (L):
SY9240(R)-□L□□□-03□□

M plug connector (M):
SY9240(R)-□M□□□-03□□

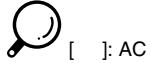
DIN terminal (D, Y):
SY9240(R)-□D□□□-03□□

M8 connector (WO):
SY9240(R)-□WO□□□-03□□



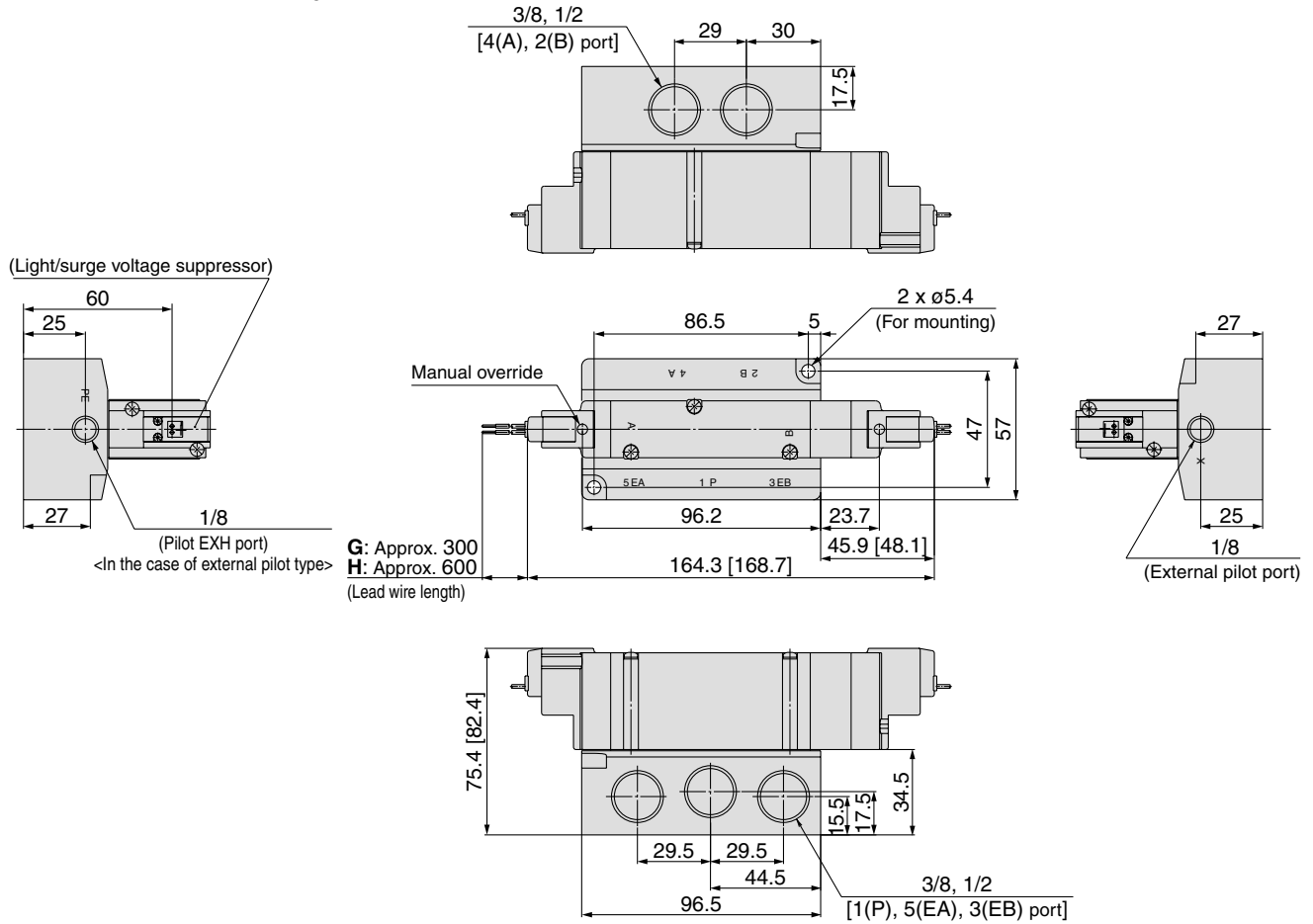
Note) Refer to page 340 for dimensions of connector types.

Dimensions: Series SY9000



3 position closed center / exhaust center / pressure center

Grommet (G), (H): SY9³₅440-□□□□-⁰³₀₄□

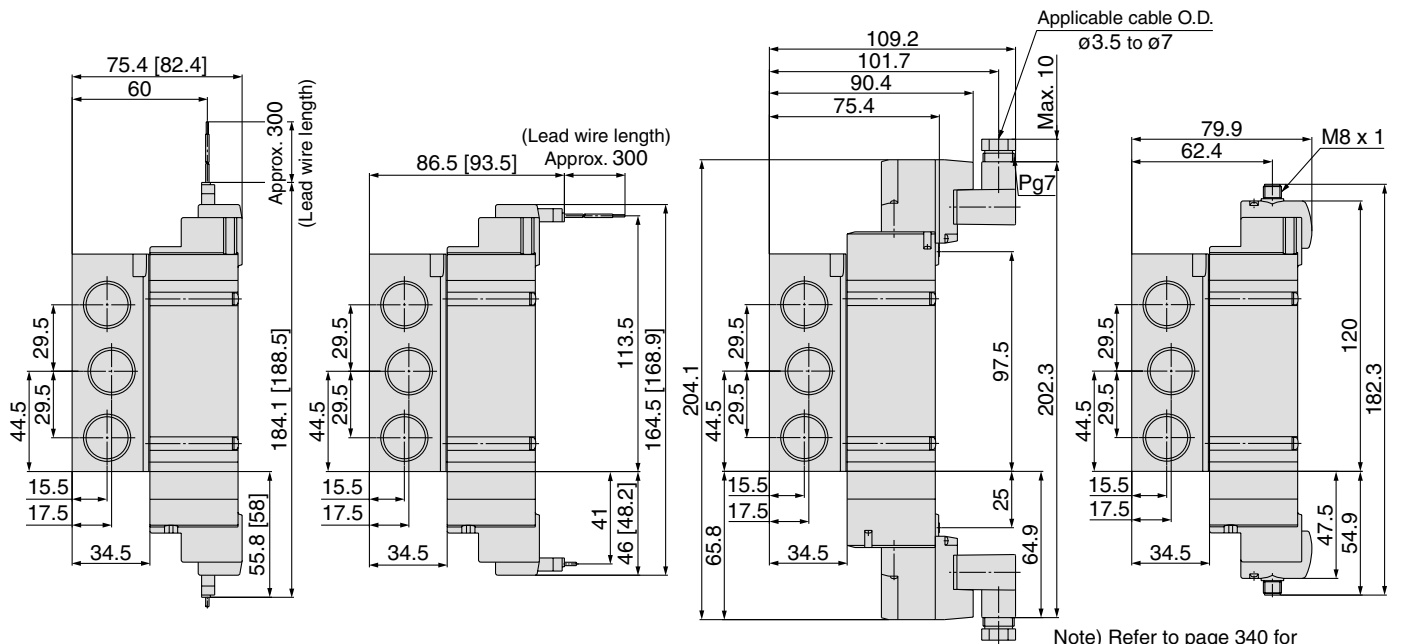


L plug connector (L):
SY9³₅440(R)-□L□□□-⁰³₀₄□

M plug connector (M):
SY9³₅440(R)-□M□□□-⁰³₀₄□

DIN terminal (D, Y):
SY9³₅440(R)-□D□□□-⁰³₀₄□

M8 connector (WO):
SY9³₅440(R)-□WO□□□-⁰³₀₄□



Note) Refer to page 340 for dimensions of connector types.

SJ
SY
SV
SYJ
SZ
VP4
S0700
VQ
VQ4
VQ5
VQC
VQZ
SQ
VFS
VFR
VQ7

5 Port Solenoid Valve Body Ported Manifold Bar Stock Type/Individual Wiring

CE

Series SY3000/5000/7000

Type **20**

How to Order Manifold

SS5Y **5** - 20 - **05** - [] - []

Manifold series

3	SY3000
5	SY5000
7	SY7000

Stations

02	2 stations
⋮	⋮
20	20 stations



* This also includes the number of blanking plate assemblies.

Thread type

Nil	Rc
00F	G
00N	NPT
00T	NPTF

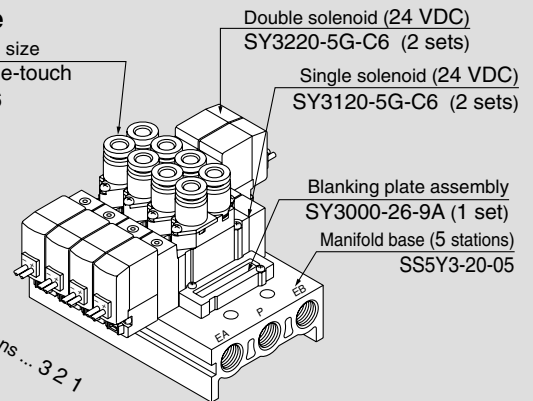
CE-compliant

Nil	—
Q	CE-compliant

How to Order Manifold Assembly (Example)

Example

Cylinder port size
C6: With one-touch
fitting for ø6

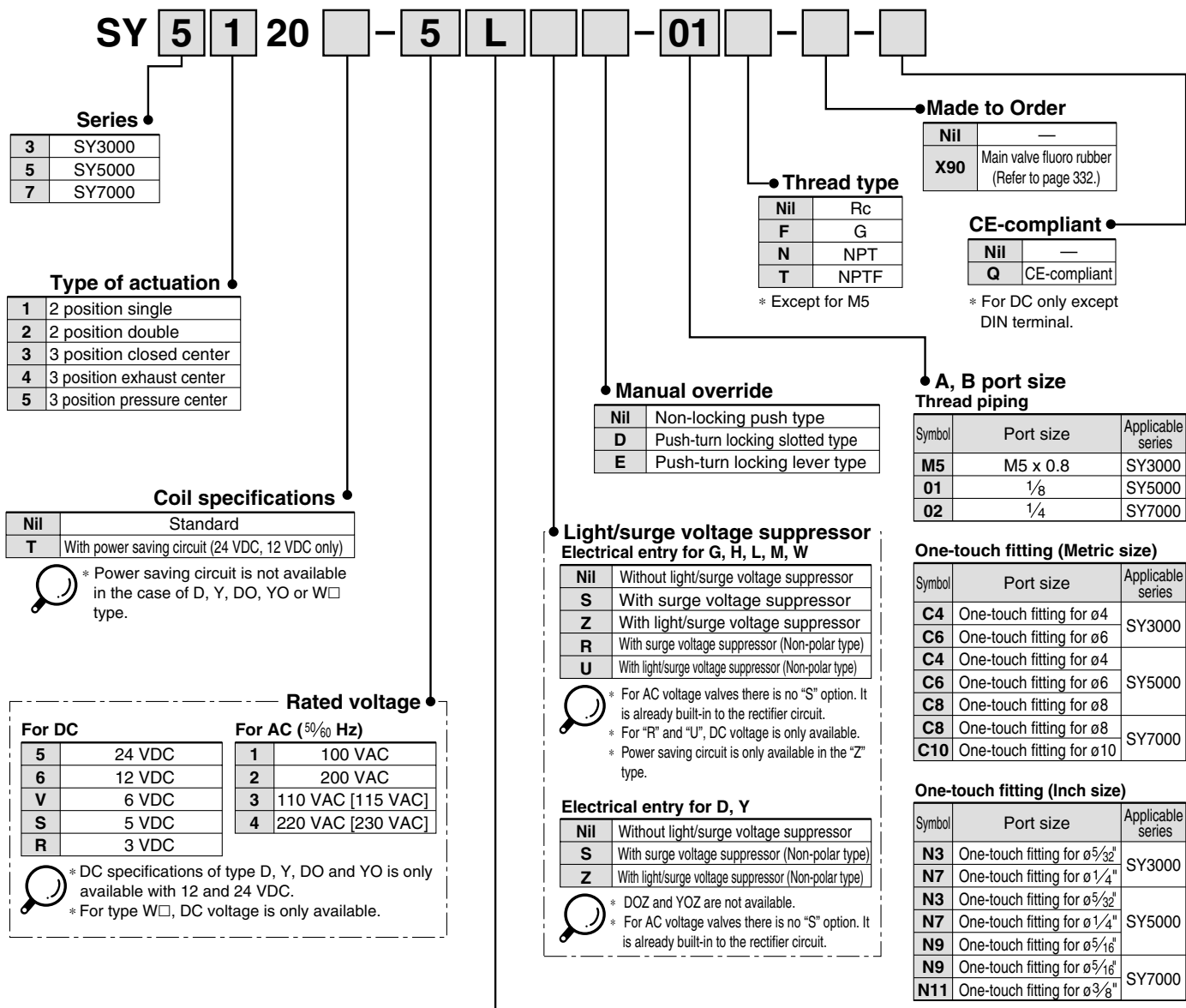


SS5Y3-20-05 1 set (Type 20, 5-station manifold base part no.)
 * SY3000-26-9A 1 set (Blanking plate assembly part no.)
 * SY3120-5G-C6 ... 2 sets (Single solenoid part no.)
 * SY3220-5G-C6 ... 2 sets (Double solenoid part no.)

→ The asterisk denotes the symbol for assembly.
Prefix it to the part nos. of the solenoid valve, etc.

Add the valve and option part number under the manifold base part number.
In the case of complex arrangement, specify them on the manifold specification sheet.

How to Order Valve



Series

3	SY3000
5	SY5000
7	SY7000

Type of actuation

1	2 position single
2	2 position double
3	3 position closed center
4	3 position exhaust center
5	3 position pressure center

Coil specifications

Nil	Standard
T	With power saving circuit (24 VDC, 12 VDC only)

* Power saving circuit is not available in the case of D, Y, DO, YO or W□ type.

Rated voltage

For DC		For AC (50/60 Hz)	
5	24 VDC	1	100 VAC
6	12 VDC	2	200 VAC
V	6 VDC	3	110 VAC [115 VAC]
S	5 VDC	4	220 VAC [230 VAC]
R	3 VDC		

* DC specifications of type D, Y, DO and YO is only available with 12 and 24 VDC.
* For type W□, DC voltage is only available.

Light/surge voltage suppressor
Electrical entry for G, H, L, M, W

Nil	Without light/surge voltage suppressor
S	With surge voltage suppressor
Z	With light/surge voltage suppressor
R	With surge voltage suppressor (Non-polar type)
U	With light/surge voltage suppressor (Non-polar type)

* For AC voltage valves there is no "S" option. It is already built-in to the rectifier circuit.
* For "R" and "U", DC voltage is only available.
* Power saving circuit is only available in the "Z" type.

Electrical entry for D, Y

Nil	Without light/surge voltage suppressor
S	With surge voltage suppressor (Non-polar type)
Z	With light/surge voltage suppressor (Non-polar type)

* DOZ and YOZ are not available.
* For AC voltage valves there is no "S" option. It is already built-in to the rectifier circuit.

Made to Order

Nil	—
X90	Main valve fluoro rubber (Refer to page 332.)

Thread type

Nil	Rc
F	G
N	NPT
T	NPTF

* Except for M5

CE-compliant

Nil	—
Q	CE-compliant

* For DC only except DIN terminal.

A, B port size
Thread piping

Symbol	Port size	Applicable series
M5	M5 x 0.8	SY3000
01	1/8	SY5000
02	1/4	SY7000

One-touch fitting (Metric size)

Symbol	Port size	Applicable series
C4	One-touch fitting for ø4	SY3000
C6	One-touch fitting for ø6	
C4	One-touch fitting for ø4	SY5000
C6	One-touch fitting for ø6	
C8	One-touch fitting for ø8	SY7000
C10	One-touch fitting for ø10	

One-touch fitting (Inch size)

Symbol	Port size	Applicable series
N3	One-touch fitting for ø5/32"	SY3000
N7	One-touch fitting for ø1/4"	
N3	One-touch fitting for ø5/32"	SY5000
N7	One-touch fitting for ø1/4"	
N9	One-touch fitting for ø5/16"	SY7000
N9	One-touch fitting for ø5/16"	
N11	One-touch fitting for ø3/8"	

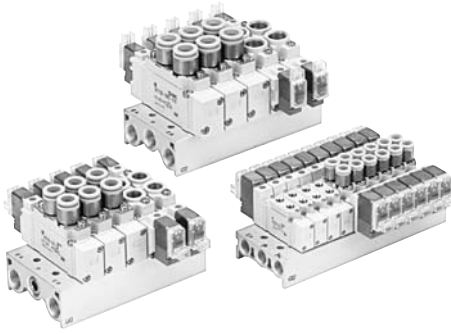
Electrical entry

24, 12, 6, 5, 3 VDC/ 100, 110, 200, 220 VAC			24, 12 VDC/ 100, 110, 200, 220 VAC	24, 12, 6, 5, 3 VDC
Grommet	L plug connector	M plug connector	DIN terminal	M8 connector
G: Lead wire length 300 mm H: Lead wire length 600 mm	L: With lead wire (Length 300 mm) LN: Without lead wire LO: Without connector	M: With lead wire (Length 300 mm) MN: Without lead wire MO: Without connector	D: With connector DO: Without connector Y: With connector YO: Without connector	WO: Without connector cable W□: With connector cable (Note)

* LN, MN type: with 2 sockets.
* For DIN terminal of SY3000 series, refer to page 337.
* "Y" type is a DIN terminal conforming to EN-175301-803C (former DIN43650C). For details, refer to page 336.
* For connector cable of M8 connector, refer to page 339.
* M8 thread conforming to IEC60947-5-2 standard is also available. Refer to page 331 for details.
* Refer to page 336 for the lead wire length of L and M plug connectors.
* Refer to page 337 for the connector assembly with cover for L and M plug connectors.
Note) Enter the cable length symbols in □. Please be sure to fill in the blank referring to page 340.


Note) When placing an order for body ported solenoid valve as a single unit, mounting screw for manifold and gasket are not attached. Order them separately, if necessary. (For details, refer to page 173.)

- SJ
- SY
- SV
- SYJ
- SZ
- VP4
- S0700
- VQ
- VQ4
- VQ5
- VQC
- VQZ
- SQ
- VFS
- VFR
- VQ7




Manifold Specifications

Model	SS5Y3-20(-Q)	SS5Y5-20(-Q)	SS5Y7-20(-Q)	
Applicable valve	SY3□20	SY5□20	SY7□20	
Manifold type	Single base/B mount			
P (SUP)/R (EXH)	Common SUP, Common EXH			
Valve stations	2 to 20 stations ^{Note1)}			
A, B port location	Valve			
Port size	P, EA, EB port	1/8	1/4	1/4
	A, B port	M5 x 0.8 C4 (One-touch fitting for ø4) C6 (One-touch fitting for ø6)	1/8 C4 (One-touch fitting for ø4) C6 (One-touch fitting for ø6) C8 (One-touch fitting for ø8)	1/4 C8 (One-touch fitting for ø8) C10 (One-touch fitting for ø10)
Manifold base mass W (g) n: Stations	W = 13n + 35	W = 36n + 64	W = 43n + 64	

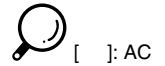
-  Note 1) For more than 10 stations (more than 5 stations in case of SS5Y7), supply pressure to P port on both sides and exhaust from EA/EB port on both sides.
 Note 2) Refer to "Manifold Option" on page 173.

Flow Characteristics

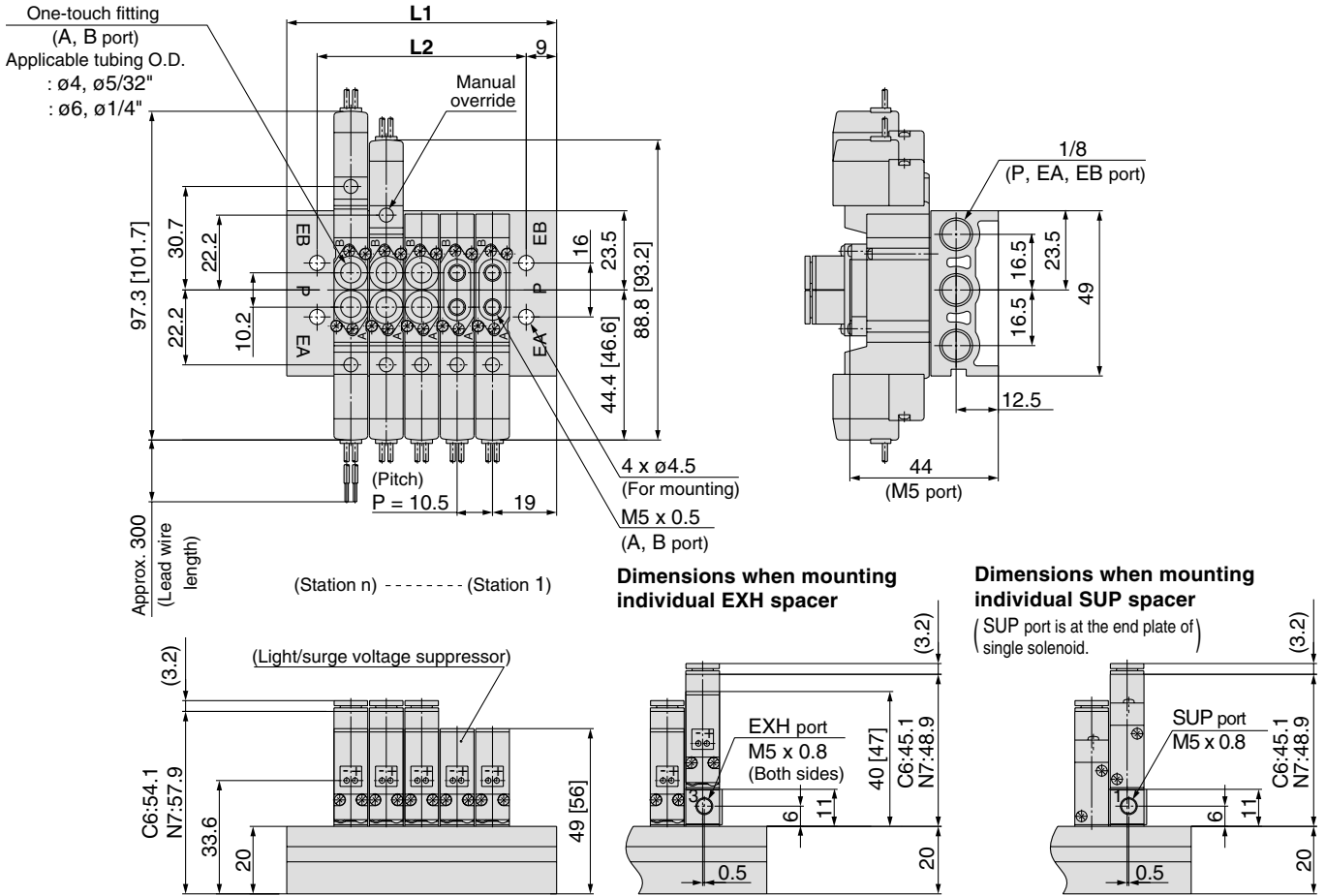
Model	Port size		Flow characteristics					
	1, 5, 3 (P, EA, EB)	4, 2 (A, B)	1 → 4/2 (P → A/B)			4/2 → 5/3 (A/B → EA/EB)		
			C (dm ³ /(s·bar))	b	Cv	C (dm ³ /(s·bar))	b	Cv
SS5Y3-20(-Q)	1/8	C6	0.72	0.29	0.18	0.80	0.36	0.21
SS5Y5-20(-Q)	1/4	C8	1.9	0.28	0.48	2.2	0.20	0.53
SS5Y7-20(-Q)	1/4	C10	3.6	0.31	0.93	3.6	0.27	0.88

-  Note) The value is for manifold base with 5 stations and individually operated 2 position type.

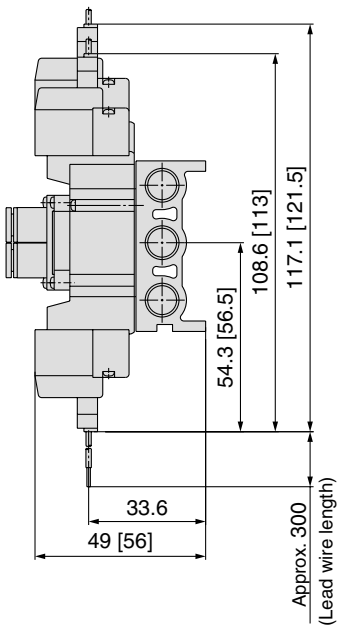
SY3000: SS5Y3-20-Stations -



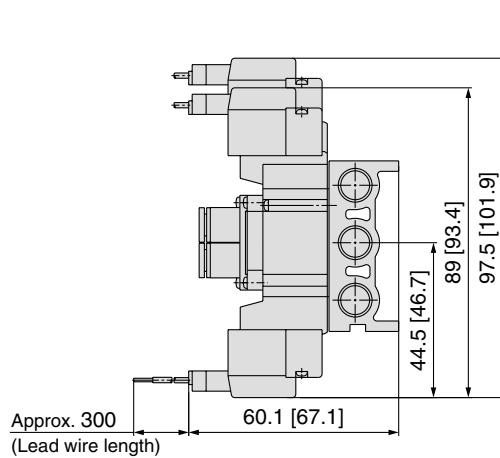
Grommet (G)



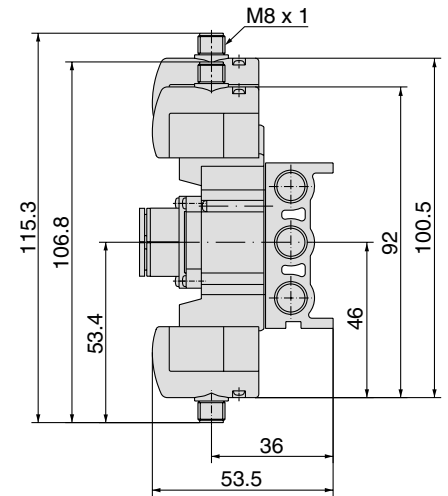
L plug connector (L)



M plug connector (M)



M8 connector (WO)

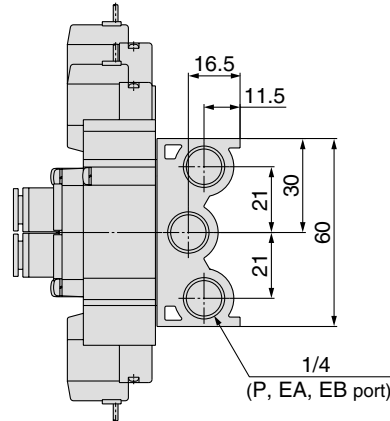
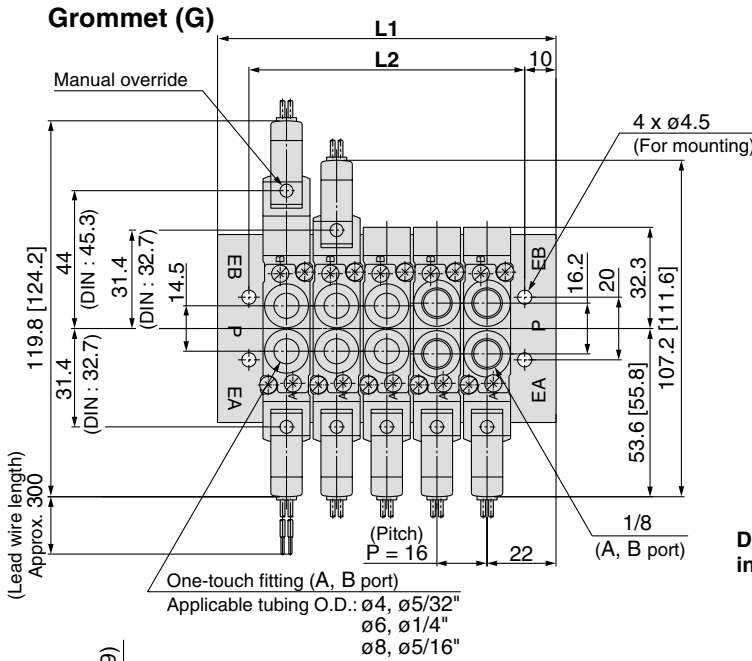


Note) Refer to page 340 for dimensions of connector types.

Stations n	2 stations	3	4	5	6	7	8	9	10	11	12	13	14	15	16	17	18	19	20 stations
L1	48.5	59	69.5	80	90.5	101	111.5	122	132.5	143	153.5	164	174.5	185	195.5	206	216.5	227	237.5
L2	30.5	41	51.5	62	72.5	83	93.5	104	114.5	125	135.5	146	156.5	167	177.5	188	198.5	209	219.5

- SJ
- SY**
- SV
- SYJ
- SZ
- VP4
- S0700
- VQ
- VQ4
- VQ5
- VQC
- VQZ
- SQ
- VFS
- VFR
- VQ7

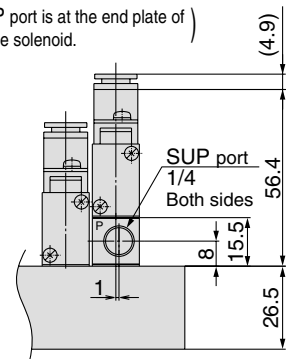
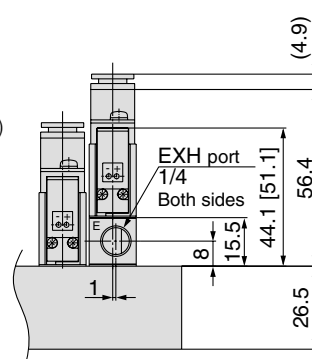
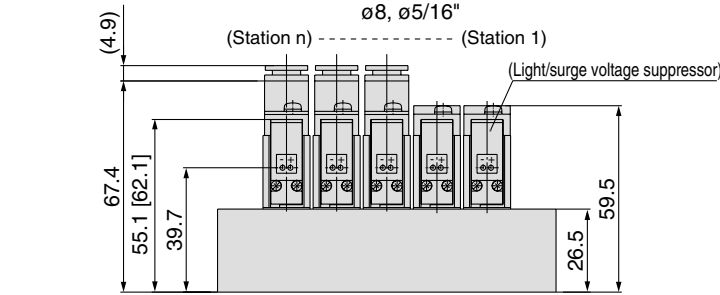
SY5000: SS5Y5-20- Stations -



Dimensions when mounting individual EXH spacer

Dimensions when mounting individual SUP spacer

(SUP port is at the end plate of single solenoid.)

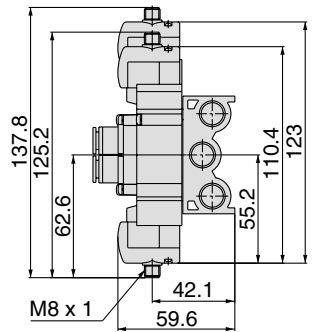
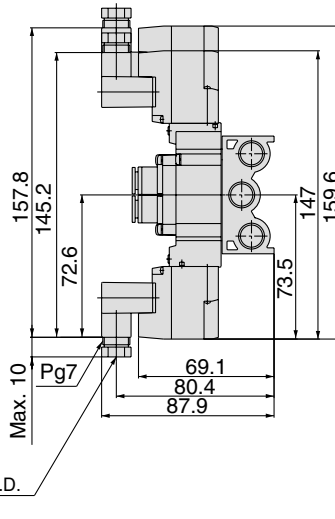
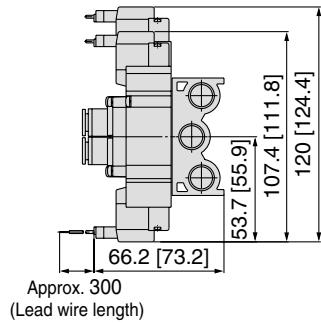
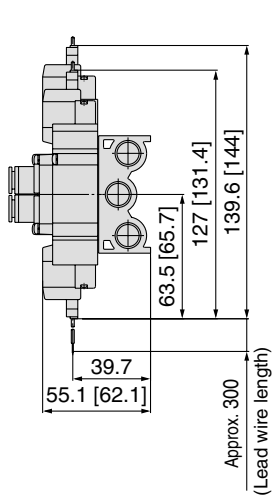


L plug connector (L)

M plug connector (M)

DIN terminal (D, Y)

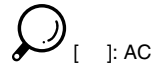
M8 connector (WO)



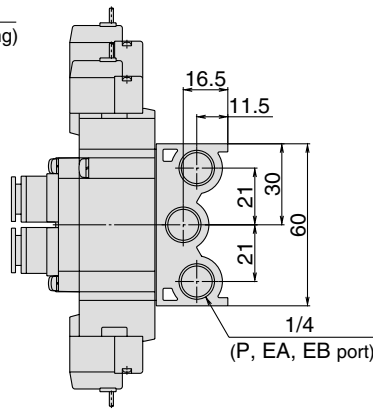
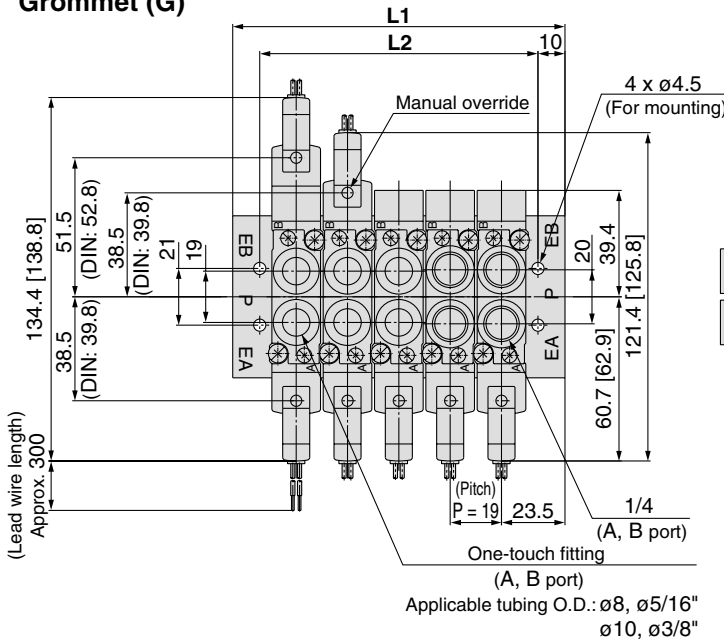
Note) Refer to page 340 for dimensions of connector types.

Stations n	2 stations	3	4	5	6	7	8	9	10	11	12	13	14	15	16	17	18	19	20 stations
L1	60	76	92	108	124	140	156	172	188	204	220	236	252	268	284	300	316	332	348
L2	40	56	72	88	104	120	136	152	168	184	200	216	232	248	264	280	296	312	328

SY7000: SS5Y7-20-Stations -



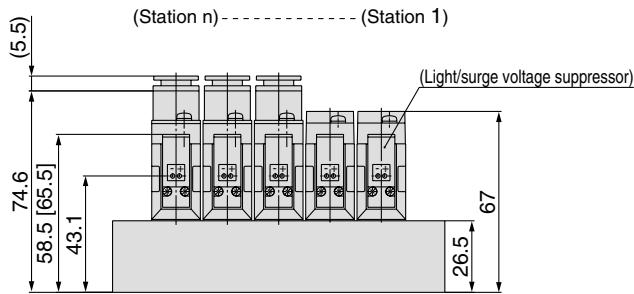
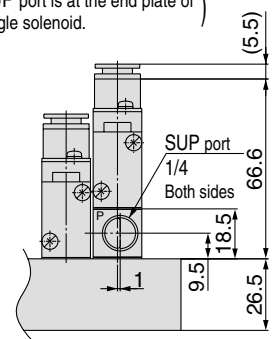
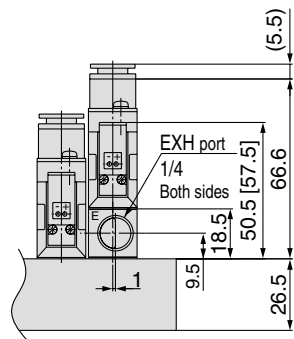
Grommet (G)



Dimensions when mounting individual EXH spacer

Dimensions when mounting individual SUP spacer

(SUP port is at the end plate of single solenoid.)

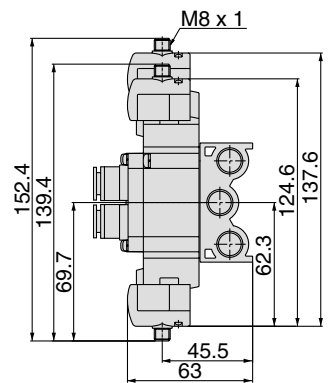
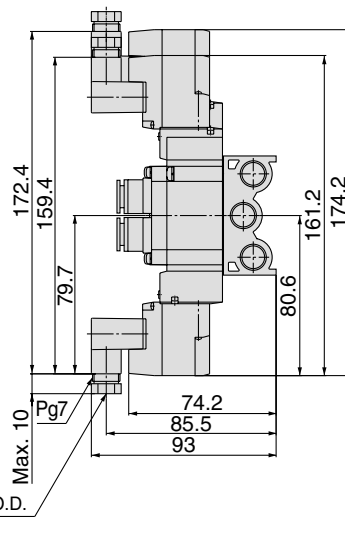
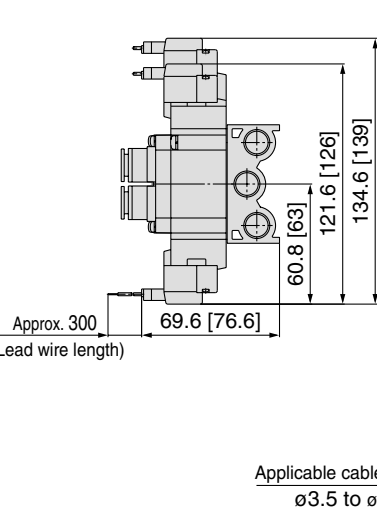
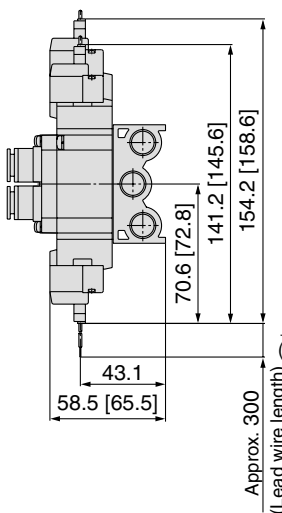


L plug connector (L)

M plug connector (M)

DIN terminal (D, Y)

M8 connector (WO)



Note) Refer to page 340 for dimensions of connector types.

Stations n	2 stations	3	4	5	6	7	8	9	10	11	12	13	14	15	16	17	18	19	20 stations
L1	66	85	104	123	142	161	180	199	218	237	256	275	294	313	332	351	370	389	408
L2	46	65	84	103	122	141	160	179	198	217	236	255	274	293	312	331	350	369	388

- SJ
- SY**
- SV
- SYJ
- SZ
- VP4
- S0700
- VQ
- VQ4
- VQ5
- VQC
- VQZ
- SQ
- VFS
- VFR
- VQ7

5 Port Solenoid Valve Body Ported Manifold Stacking Type/Individual Wiring



Type **23**

Series SY9000

How to Order Manifold

SS5Y 9-23-05 - [] - [] - []

Manifold series
9 SY9000

Valve stations

Symbol	Stations
02	2 stations
⋮	⋮
20	20 stations

* This also includes the number of blanking plate assemblies.

Thread type

Nil	Rc
00F	G
00N	NPT
00T	NPTF

Option

Symbol	Mounting
Nil	Direct mounting
D	DIN rail mounting (with DIN rail)
D0	DIN rail mounting (without DIN rail)
D*	When a longer DIN rail is desired than the specified stations, specify the station number to be required into * mark.

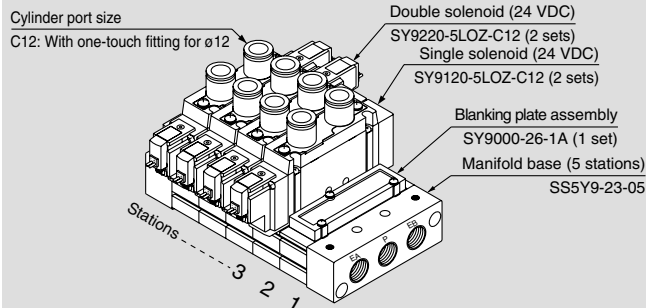
CE-compliant

Nil	—
Q	CE-compliant

* Type 23 manifold of Series SY9000 is concurrently used for the internal and external pilot.

How to Order Manifold Assembly (Example)

Example

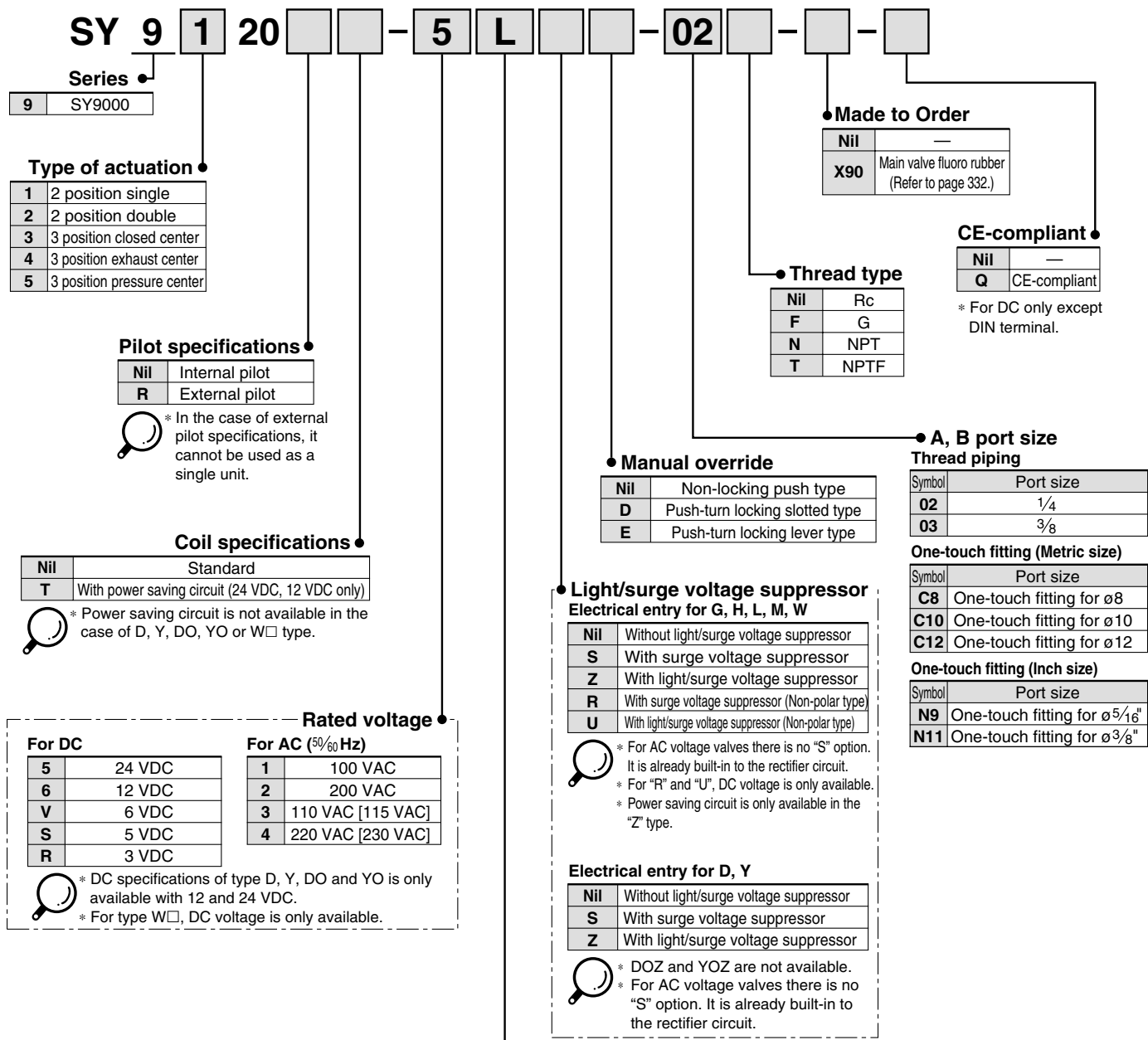


SS5Y9-23-05 1 set (Type 23, 5-station manifold base part no.)
 * SY9000-26-1A 1 set (Blanking plate assembly part no.)
 * SY9120-5LOZ-C12... 2 sets (Single solenoid part no.)
 * SY9220-5LOZ-C12... 2 sets (Double solenoid part no.)

→ The asterisk denotes the symbol for assembly. Prefix it to the part nos. of the solenoid valve, etc.

Add the valve and option part number under the manifold base part number. In the case of complex arrangement, specify them on the manifold specification sheet.

How to Order Valve

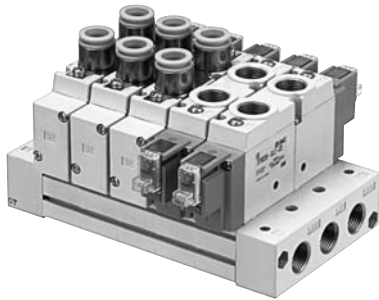


- SJ
- SY**
- SV
- SYJ
- SZ
- VP4
- S0700
- VQ
- VQ4
- VQ5
- VQC
- VQZ
- SQ
- VFS
- VFR
- VQ7

24, 12, 6, 5, 3 VDC/ 100, 110, 200, 220 VAC			24, 12 VDC/ 100, 110, 200, 220 VAC	24, 12, 6, 5, 3 VDC
Grommet	L plug connector	M plug connector	DIN terminal	M8 connector
G: Lead wire length 300 mm H: Lead wire length 600 mm	L: With lead wire (Length 300 mm) LN: Without lead wire LO: Without connector	M: With lead wire (Length 300 mm) MN: Without lead wire MO: Without connector	D: With connector DO: Without connector Y: With connector YO: Without connector	WO: Without connector cable W□: With connector cable ^{Note)}

- * LN, MN type: with 2 sockets.
- * "Y" type is a DIN terminal conforming to EN-175301-803C (former DIN43650C). For details, refer to page 336.
- * For connector cable of M8 connector, refer to page 339.
- * M8 connector conforming to IEC60947-5-2 standard is also available. Refer to page 331 for details.
- * Refer to page 336 for the lead wire length of L and M plug connectors.
- * Refer to page 337 for the connector assembly with cover for L and M plug connectors.
- Note) Enter the cable length symbols in □. Please be sure to fill in the blank referring to page 340.

Note) When placing an order for body ported solenoid valve as a single unit, mounting screw for manifold and gasket are not attached. Order them separately, if necessary. For details, refer to page 173.



Manifold Specifications

Model	SS5Y9-23(-Q)	
Applicable valve	SY9□20	
Manifold type	Stacking type	
P (SUP)/R (EXH)	Common SUP, Common EXH	
Valve stations	2 to 20 stations ^{Note1)}	
A, B port location	Valve	
Port size	P, EA, EB port	3/8
	A, B port	1/4 3/8 C8 (One-touch fitting for ø8) C10 (One-touch fitting for ø10) C12 (One-touch fitting for ø12)
Manifold base mass W (g) n: Stations	W = 66n + 246	



Note 1) For more than 10 stations, supply pressure to P port on both sides and exhaust from EA/EB port on both sides.

Note 2) Refer to "Manifold Option" on page 173.

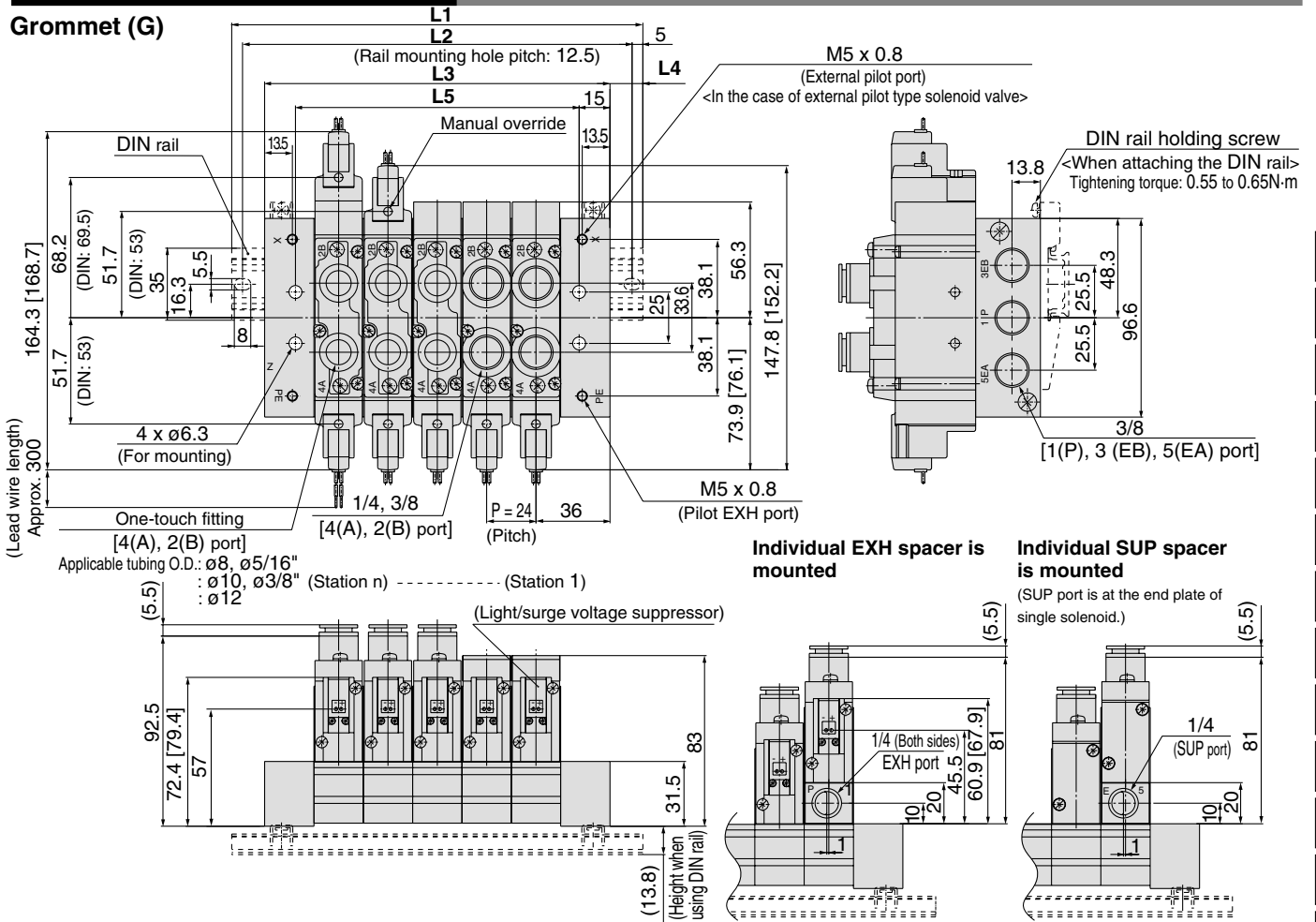
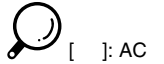
Flow Characteristics

Model	Port size		Flow characteristics					
	1, 5, 3 (P, EA, EB)	4, 2 (A, B)	1 → 4/2 (P → A/B)			4/2 → 5/3 (A/B → EA/EB)		
			C (dm ³ /(s·bar))	b	Cv	C (dm ³ /(s·bar))	b	Cv
SS5Y9-23(-Q)	3/8	C12	6.3	0.20	1.5	8.2	0.28	1.9



Note) The value is for manifold base with 5 stations and individually operated 2 position type.

SY9000: SS5Y9-23-Stations - (D)

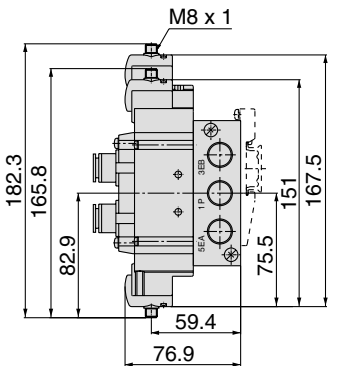
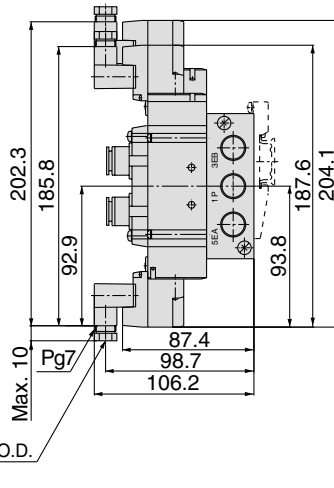
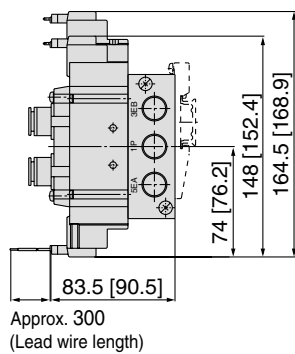
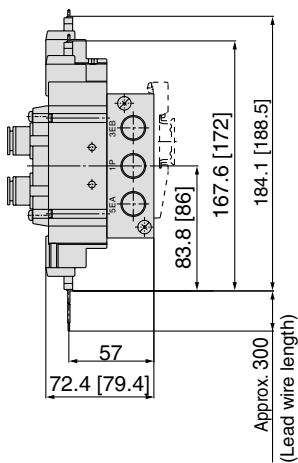


L plug connector (L)

M plug connector (M)

DIN terminal (D, Y)

M8 connector (WO)



Note) Refer to page 340 for dimensions of connector types.

Stations n	2 stations	3	4	5	6	7	8	9	10	11	12	13	14	15	16	17	18	19	20 stations
L1	123	148	173	198	223	248	273	298	323	335.5	360.5	385.5	410.5	435.5	460.5	485.5	510.5	535.5	560.5
L2	112.5	137.5	162.5	187.5	212.5	237.5	262.5	287.5	312.5	325	350	375	400	425	450	475	500	525	550
L3	96	120	144	168	192	216	240	264	288	312	336	360	384	408	432	456	480	504	528
L4	13.5	14	14.5	15	15.5	16	16.5	17	17.5	12	12.5	13	13.5	14	14.5	15	15.5	16	16.5
L5	66	90	114	138	162	186	210	234	258	282	306	330	354	378	402	426	450	474	498

Note) In the case of direct mounting without DIN rail, total width of manifold is L3.

- SJ
- SY**
- SV
- SYJ
- SZ
- VP4
- S0700
- VQ
- VQ4
- VQ5
- VQC
- VQZ
- SQ
- VFS
- VFR
- VQ7

5 Port Solenoid Valve Body Ported Manifold Bar Stock Type/Flat Ribbon Cable

Series SY3000/5000/7000

Type **20P**

How to Order Manifold

SS5Y 5 - 20P - 05 - [] - []

Manifold series

3	SY3000
5	SY5000
7	SY7000

Stations

03	3 stations
⋮	⋮
12	12 stations

Note) SS5Y3 has 4 to 12 stations.

Thread type

Nil	Rc
00F	G
00N	NPT
00T	NPTF

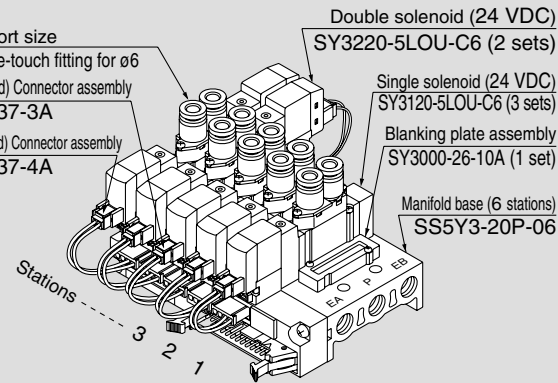
CE-compliant

Nil	—
Q	CE-compliant

* For DC only.

How to Order Manifold Assembly (Example)

Example



Example

SS5Y3-20P-06 1 set (Type 20P, 6-station manifold part no.)

* SX3000-26-10A 1 set (Blanking plate assembly part no.)

* SY3120-5LOU-C6 ... 3 sets (Single solenoid part no.)

* SY3220-5LOU-C6 ... 2 sets (Double solenoid part no.)

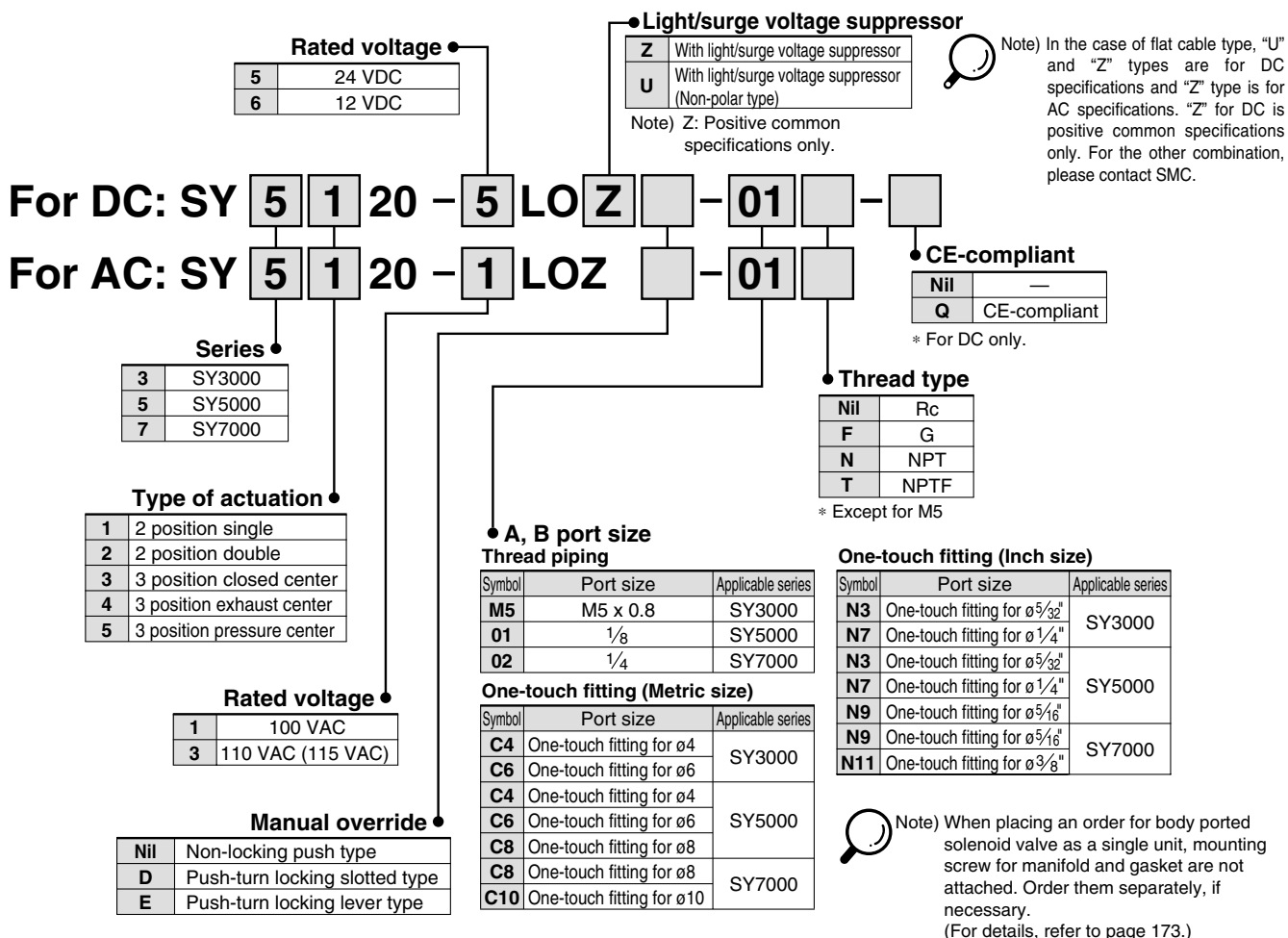
* SY3000-37-3A 3 sets (Connector assembly part no.)

* SY3000-37-4A 2 sets (Connector assembly part no.)

→ The asterisk denotes the symbol for assembly.
Prefix it to the part nos. of the solenoid valve, etc.

Add the valve and option part number under the manifold base part number.
In the case of complex arrangement, specify them on the manifold specification sheet.

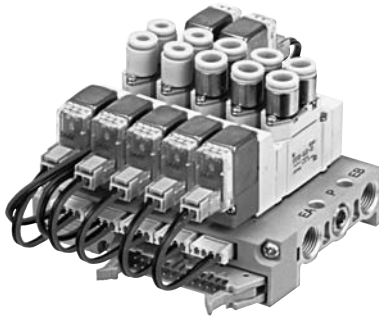
How to Order Valve



- SJ
- SY**
- SV
- SYJ
- SZ
- VP4
- S0700
- VQ
- VQ4
- VQ5
- VQC
- VQZ
- SQ
- VFS
- VFR
- VQ7

- Multiple valve wiring is simplified through the use of the flat cable connector
- Clean appearance

In the case of a flat ribbon cable type, each valve is wired on the print board of manifold base to allow the external wiring to be piped all together with 26 pins MIL connector.



Manifold Specifications

Model	SS5Y3-20P(-Q)	SS5Y5-20P(-Q)	SS5Y7-20P(-Q)	
Applicable valve	SY3□20	SY5□20	SY7□20	
Manifold type	Single base/B mount			
P (SUP)/R (EXH)	Common SUP, Common EXH			
Valve stations	4 to 12 stations ⁽¹⁾	3 to 12 stations ^{Note 1)}		
A, B port location	Valve			
Port size	P, EA, EB port	1/8	1/4	1/4
	A, B port	M5 x 0.8, C4 (One-touch fitting for ø4) C6 (One-touch fitting for ø6)	1/8 C4 (One-touch fitting for ø4) C6 (One-touch fitting for ø6) C8 (One-touch fitting for ø8)	1/4 C8 (One-touch fitting for ø8) C10 (One-touch fitting for ø10)
Manifold base mass W (g) n: Stations	W = 19n + 45	W = 43n + 77	W = 51n + 81	
Applicable flat ribbon cable connector	Flat ribbon cable connector, Socket: 26 pins MIL type with strain relief, Conforming to MIL-C-83503			
Internal wiring	In common between +COM and -COM (Z type: +COM only).			
Rated voltage ^{Note 4)}	12, 24 VDC 100, 110 VAC			



Note 1) For more than 10 stations (more than 5 stations in case of SS5Y7), supply pressure to P port on both sides and exhaust from EA/EB port on both sides.

Note 2) The withstand voltage specification for the wiring unit section is JIS C 0704, Grade 1 or its equivalent.

Note 3) Refer to "Manifold Option" on page 173.

Note 4) CE-compliant: For DC only.

Flow Characteristics

Model	Port size		Flow characteristics					
	1, 5, 3 (P, EA, EB)	4, 2 (A, B)	1 → 4/2 (P → A/B)			4/2 → 5/3 (A/B → EA/EB)		
			C [dm ³ /(s·bar)]	b	Cv	C [dm ³ /(s·bar)]	b	Cv
SS5Y3-20P	1/8	C6	0.72	0.29	0.18	0.80	0.36	0.21
SS5Y5-20P	1/4	C8	1.9	0.28	0.48	2.2	0.20	0.53
SS5Y7-20P	1/4	C10	3.6	0.31	0.93	3.6	0.27	0.88



Note) The value is for manifold base with 5 stations and individually operated 2 position type.

How to Order Connector Assembly

For 12, 24 VDC

Specifications	For SY3000	For SY5000/7000
For single solenoid:	SY3000-37-3A	SY5000-37-3A
Double solenoid, 3 position type	SY3000-37-4A	SY5000-37-4A
Single with spacer assembly	SY5000-37-3A	SY5000-37-5A
Double, 3 position with spacer assembly	SY3000-37-6A	SY5000-37-6A

For 100 VAC

Specifications	For SY3000	For SY5000/7000
For single solenoid:	SY3000-37-32A	SY5000-37-15A
Double solenoid, 3 position type	SY3000-37-33A	SY5000-37-16A
Single with spacer assembly	SY5000-37-15A	SY5000-37-17A
Double, 3 position with spacer assembly	SY3000-37-34A	SY5000-37-18A

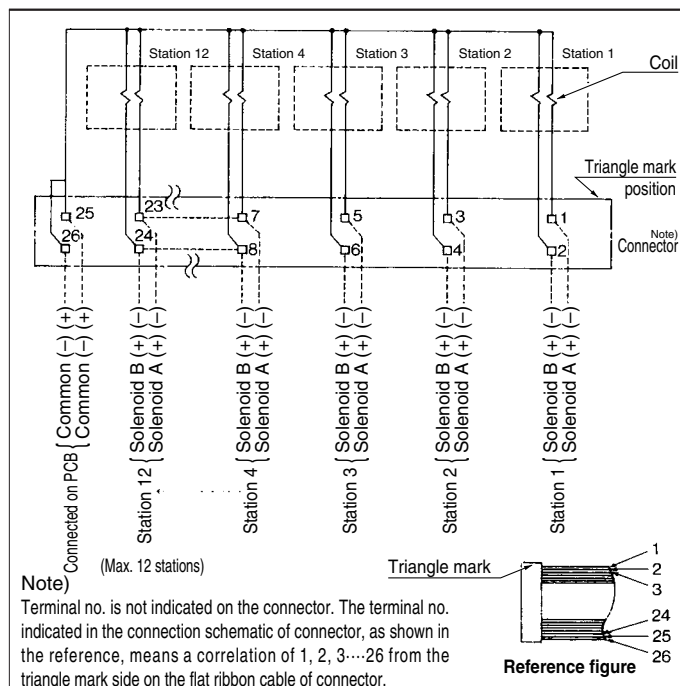
For 100 VAC (115 VAC)

Specifications	For SY3000	For SY5000/7000
For single solenoid:	SY3000-37-35A	SY5000-37-19A
Double solenoid, 3 position type	SY3000-37-36A	SY5000-37-20A
Single with spacer assembly	SY5000-37-19A	SY5000-37-21A
Double, 3 position with spacer assembly	SY3000-37-37A	SY5000-37-22A

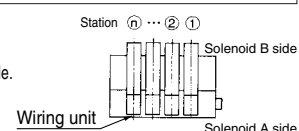
⚠ Caution

- For non-polar (U) valves, the electrical DC connections can be used with either positive and negative COM. For type (Z), only use with positive COM as the valve does not operate correctly when used with negative COM.

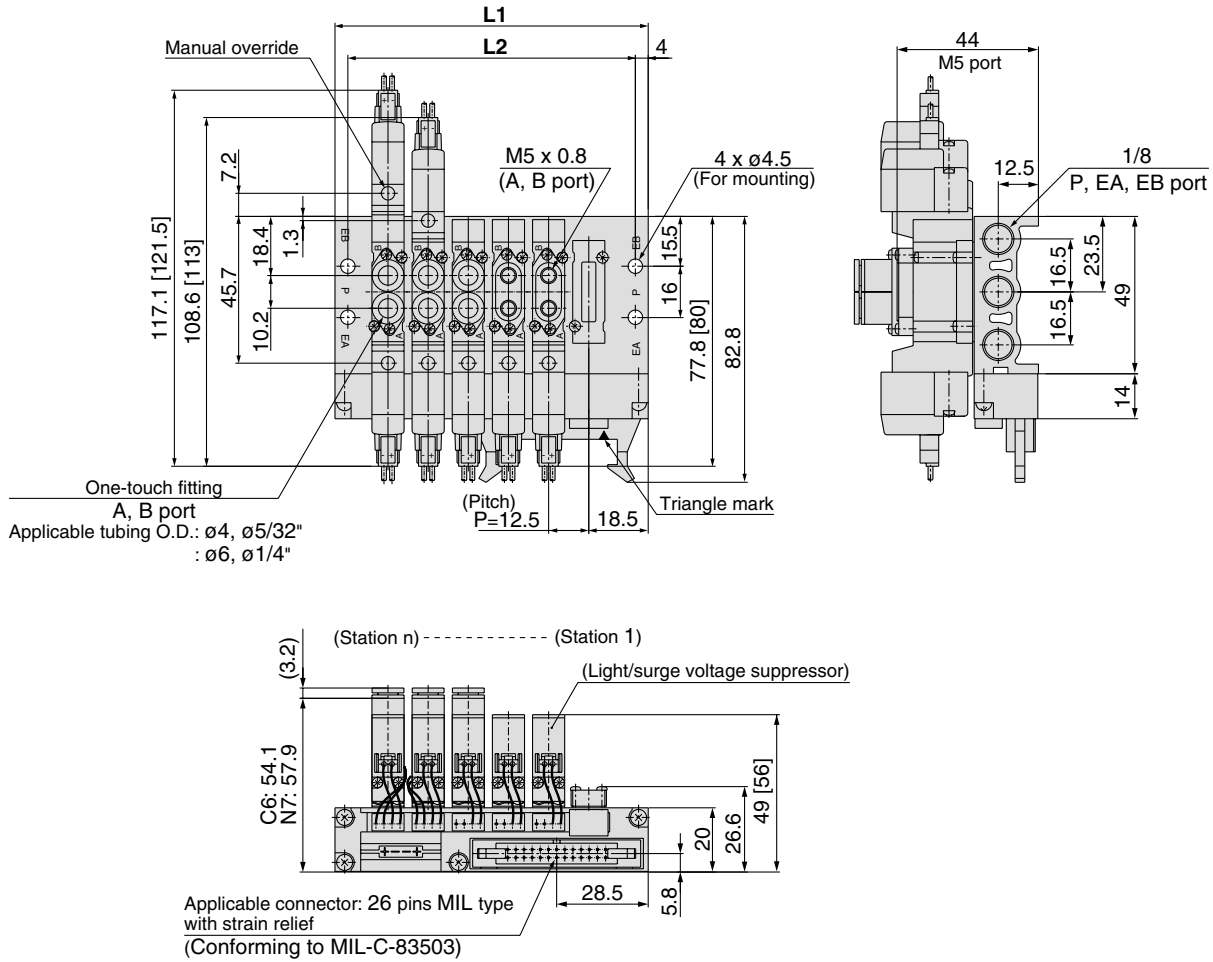
Internal Wiring of Manifold (Non-polar type)



- For more than 10 stations, both poles of the common should be wired.
- For single solenoid, connect to the solenoid A side.
- The maximum number of stations that can be accommodated is 12. For more stations, please contact SMC.



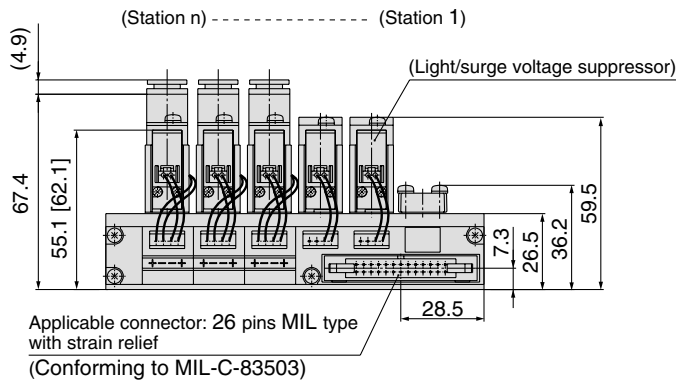
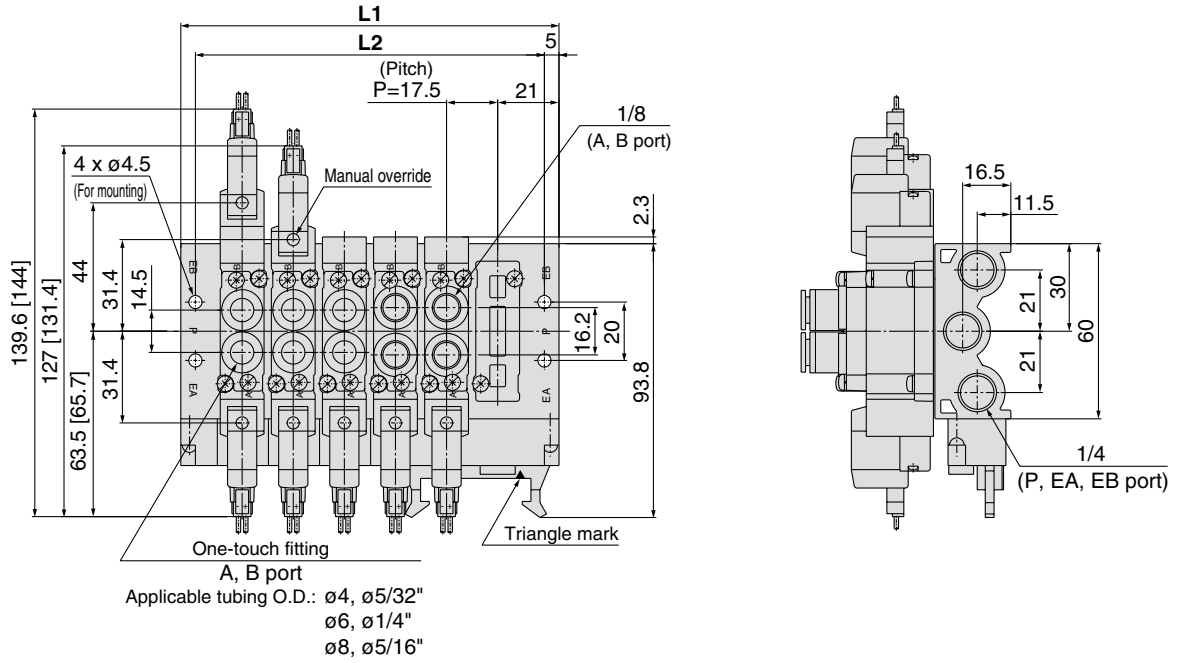
SY3000: SS5Y3-20P- Stations



- SJ
- SY**
- SV
- SYJ
- SZ
- VP4
- S0700
- VQ
- VQ4
- VQ5
- VQC
- VQZ
- SQ
- VFS
- VFR
- VQ7

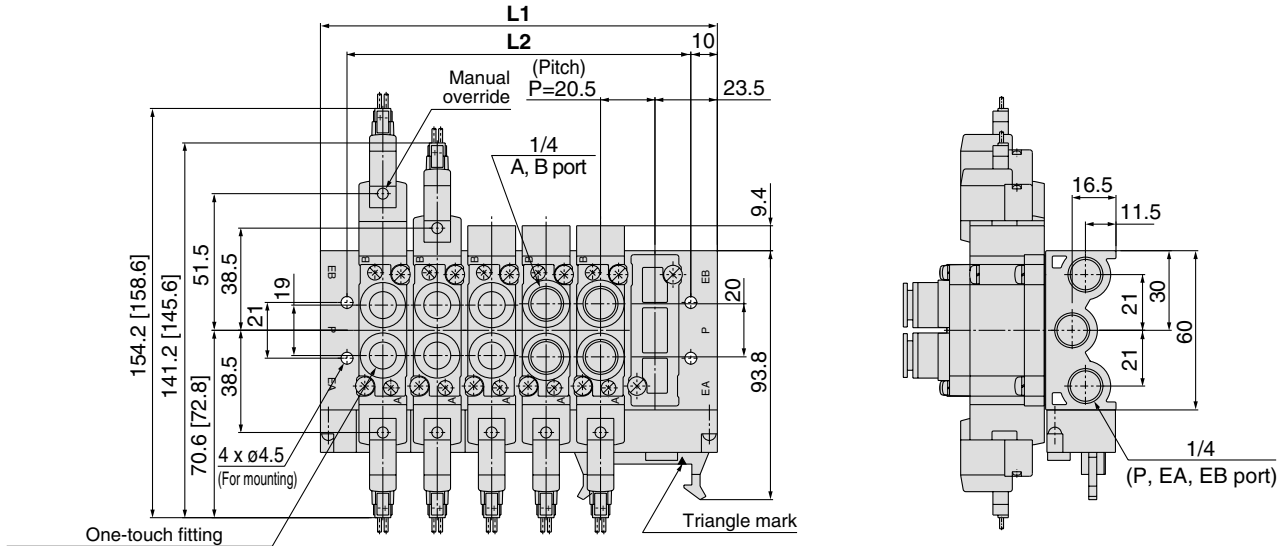
Stations n	4	5	6	7	8	9	10	11	12
L1	72.5	85	97.5	110	122.5	135	147.5	160	172.5
L2	64.5	77	89.5	102	114.5	127	139.5	152	164.5

SY5000: SS5Y5-20P-Stations

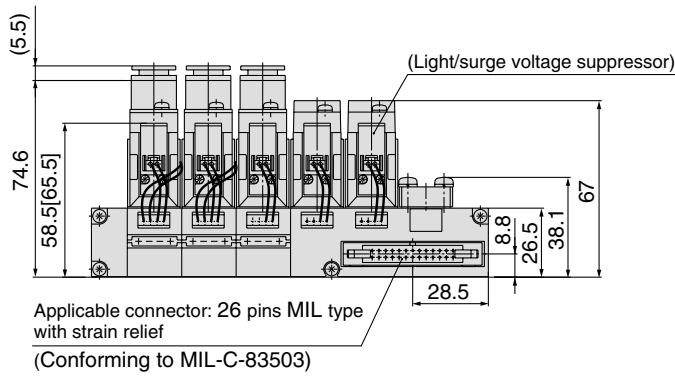


Stations n	3	4	5	6	7	8	9	10	11	12
L1	77	94.5	112	129.5	147	164.5	182	199.5	217	234.5
L2	67	84.5	102	119.5	137	154.5	172	189.5	207	224.5

SY7000: SS5Y7-20P- Stations



A, B port
Applicable tubing O.D.: ø8, ø5/16"
ø10, ø3/8" (Station n) ----- (Station 1)



- SJ
- SY**
- SV
- SYJ
- SZ
- VP4
- S0700
- VQ
- VQ4
- VQ5
- VQC
- VQZ
- SQ
- VFS
- VFR
- VQ7

Stations n	3	4	5	6	7	8	9	10	11	12
L1	88	108.5	129	149.5	170	190.5	211	231.5	252	272.5
L2	68	88.5	109	129.5	150	170.5	191	211.5	232	252.5

5 Port Solenoid Valve Body Ported Manifold Stacking Type/Flat Ribbon Cable

Series SY9000



Type **23P**

How to Order Manifold

SS5Y 9 - 23P - 05 - [] - [] - []

- Manifold series**
9 SY9000
- Thread type**

Nil	Rc
00F	G
00N	NPT
00T	NPTF
- Valve stations**

Symbol	Stations
04	4 stations
⋮	⋮
12	12 stations

* This also includes the number of blanking plate assemblies.
- Option**

Symbol	Mounting
Nil	Direct mounting
D	DIN rail mounting (with DIN rail)
D0	DIN rail mounting (without DIN rail)
D *	When a longer DIN rail is desired than the specified stations, specify the station number to be required into * mark.
- CE-compliant**

Nil	—
Q	CE-compliant

* For DC only.

* Type 23P manifold of Series SY9000 is concurrently used for the internal and external pilot.

How to Order Manifold Assembly (Example)

Example

(Single solenoid) Connector assembly SY9000-37-1A
(Double solenoid) Connector assembly SY9000-37-2A

SS5Y9-23P-05 1 set (Type 23, 5-station manifold base part no.)
 * **SY9000-26-3A** 1 set (Blanking plate assembly part no.)
 * **SY9120-5LOU-C12** ... 2 sets (Single solenoid part no.)
 * **SY9220-5LOU-C12** ... 2 sets (Double solenoid part no.)
 * **SY9000-37-1A** 2 sets (Connector assembly part no.)
 * **SY9000-37-2A** 2 sets (Connector assembly part no.)

→ The asterisk denotes the symbol for assembly. Prefix it to the part nos. of the solenoid valve, etc.

Add the valve and option part number under the manifold base part number. In the case of complex arrangement, specify them on the manifold specification sheet.

How to Order Valve

For DC: SY 9 1 20 [] - 5 LO Z [] - 02 [] - []
For AC: SY 9 1 20 [] - 1 LO Z [] - 02 [] - []

- Rated voltage**

5	24 VDC
6	12 VDC
- Light/surge voltage suppressor**

Z	With light/surge voltage suppressor
U	With light/surge voltage suppressor (Non-polar type)

Note) Z: Positive common specifications only.
- CE-compliant**

Nil	—
Q	CE-compliant
- Thread type**

Nil	Rc
F	G
N	NPT
T	NPTF
- A, B port size Thread piping**

Symbol	Port size
02	1/4
03	3/8
- One-touch fitting (Metric size)**

Symbol	Port size
C8	One-touch fitting for ø8
C10	One-touch fitting for ø10
C12	One-touch fitting for ø12
- One-touch fitting (Inch size)**

Symbol	Port size
N9	One-touch fitting for ø5/16"
N11	One-touch fitting for ø3/8"
- Series**
9 SY9000
- Type of actuation**

1	2 position single
2	2 position double
3	3 position closed center
4	3 position exhaust center
5	3 position pressure center
- Pilot specifications**

Nil	Internal pilot
R	External pilot

* Type 23P manifolds can be used for both internal and external pilots.
- Rated voltage**

1	100 VAC
3	110 VAC (115 VAC)
- Manual override**

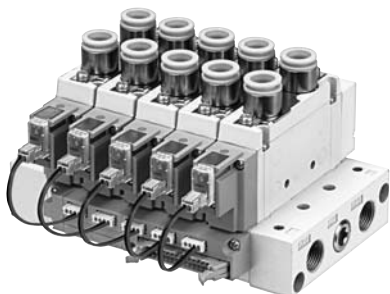
Nil	Non-locking push type
D	Push-turn locking slotted type
E	Push-turn locking lever type

Note) In the case of flat cable type, "U" and "Z" types are for DC specifications and "Z" type is for AC specifications. "Z" type for DC is positive common specification only. For the other combination, please contact SMC.
 Note) When placing an order for body ported solenoid valve as a single unit, mounting screw for manifold and gasket are not attached. Order them separately, if necessary. (For details, refer to page 173.)

- Multiple valve wiring is simplified through the use of the flat cable connector.

• **Clean appearance**

In the case of a flat ribbon cable type, each valve is wired on the print board of manifold base to allow the external wiring to be piped all together with 26 pins MIL connector.



Manifold Specifications

Model	SS5Y9-23P(-Q)	
Applicable valve	SY9□20	
Manifold type	Stacking type	
P (SUP)/R (EXH)	Common SUP, Common EXH	
Valve stations	4 to 12 stations ^{Note1)}	
A, B port location	Valve	
Port size	P, EA, EB port	3/8 1/4 3/8
	A, B port	C8 (One-touch fitting for ø8) C10 (One-touch fitting for ø10) C12 (One-touch fitting for ø12)
Manifold base mass W (g)	W = 73n + 259	
n: Stations		
Applicable flat ribbon cable connector	Flat ribbon cable connector, Socket: 26 pins MIL with strain relief, Conforming to MIL-C-83503	
Internal wiring	In common between +COM and -COM (Z type: +COM only)	
Rated voltage ^{Note4)}	12, 24 VDC, 100, 110 VAC	

- Note 1) For more than 10 stations, supply pressure to P port on both sides and exhaust from EA/EB port on both sides.
- Note 2) The withstand voltage specification for the wiring unit section is JIS C 0704, Grade 1 or its equivalent.
- Note 3) Refer to "Manifold Option" on page 173.
- Note 4) CE-compliant: For DC only.

How to Order Connector Assembly

For 12, 24 VDC

Specifications	For SY9000
For single solenoid	SY9000-37-1A
Double solenoid 3 position	SY9000-37-2A
Single with spacer assembly	SY9000-37-3A
Double, 3 position with spacer assembly	SY9000-37-4A

For 100 VAC

Specifications	For SY9000
For single solenoid	SY9000-37-1B
Double solenoid 3 position	SY9000-37-2B
Single with spacer assembly	SY9000-37-3B
Double, 3 position with spacer assembly	SY9000-37-4B

For 110 VAC (115 VAC)

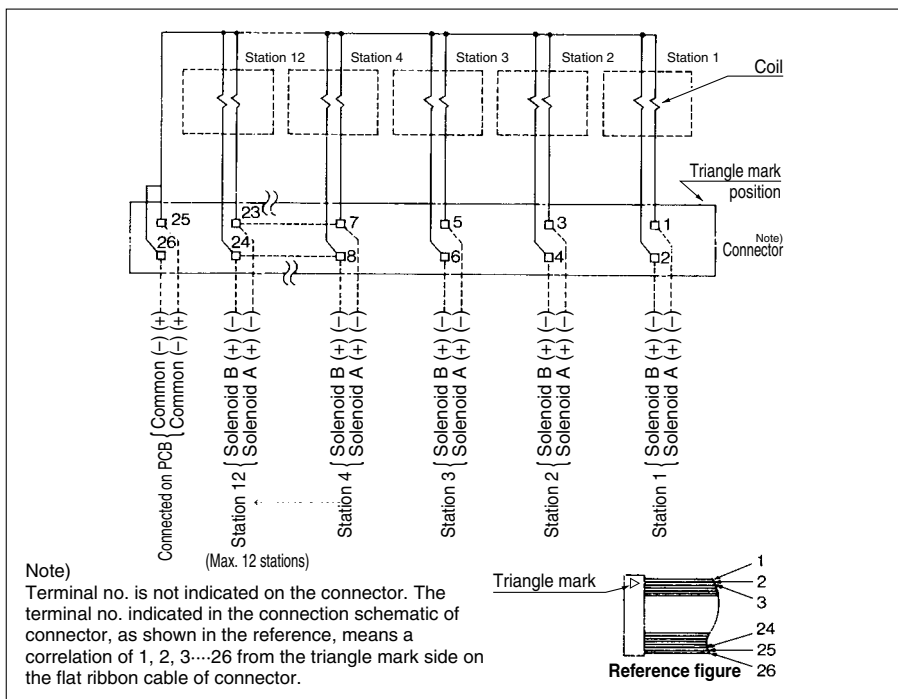
Specifications	For SY9000
For single solenoid	SY9000-37-1C
Double solenoid 3 position	SY9000-37-2C
Single with spacer assembly	SY9000-37-3C
Double, 3 position with spacer assembly	SY9000-37-4C

Flow Characteristics

Model	Port size		Flow characteristics					
	1, 5, 3 (P, EA, EB)	4, 2 (A, B)	1 → 4/2 (P → A/B)			4/2 → 5/3 (A/B → EA/EB)		
			C (dm ³ /(s·bar))	b	Cv	C (dm ³ /(s·bar))	b	Cv
SS5Y9-23P(-Q)	3/8	C12	6.3	0.20	1.5	8.2	0.28	1.9

- Note) The value is for manifold base with 5 stations and individually operated 2 position type.

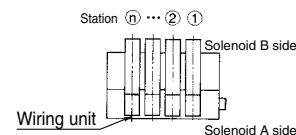
Internal Wiring of Manifold (Non-polar type)



Caution

- For non-polar (U) valves, the electrical DC connections can be used with either positive and negative COM. For type (Z), only use with positive COM as the valve does not operate correctly when used with negative COM.

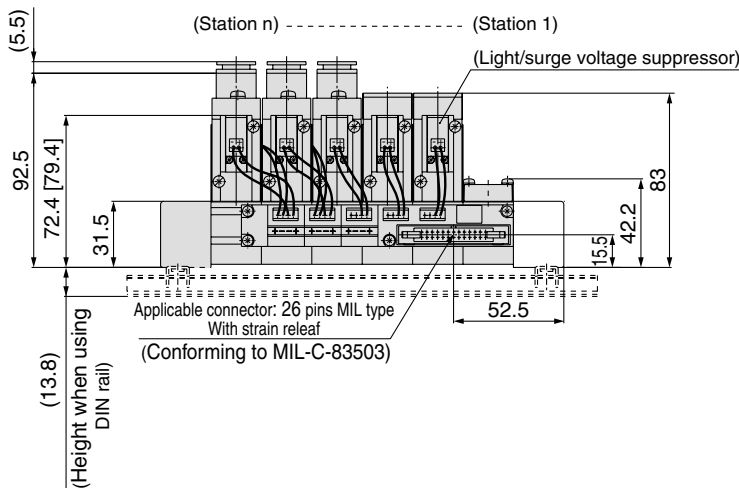
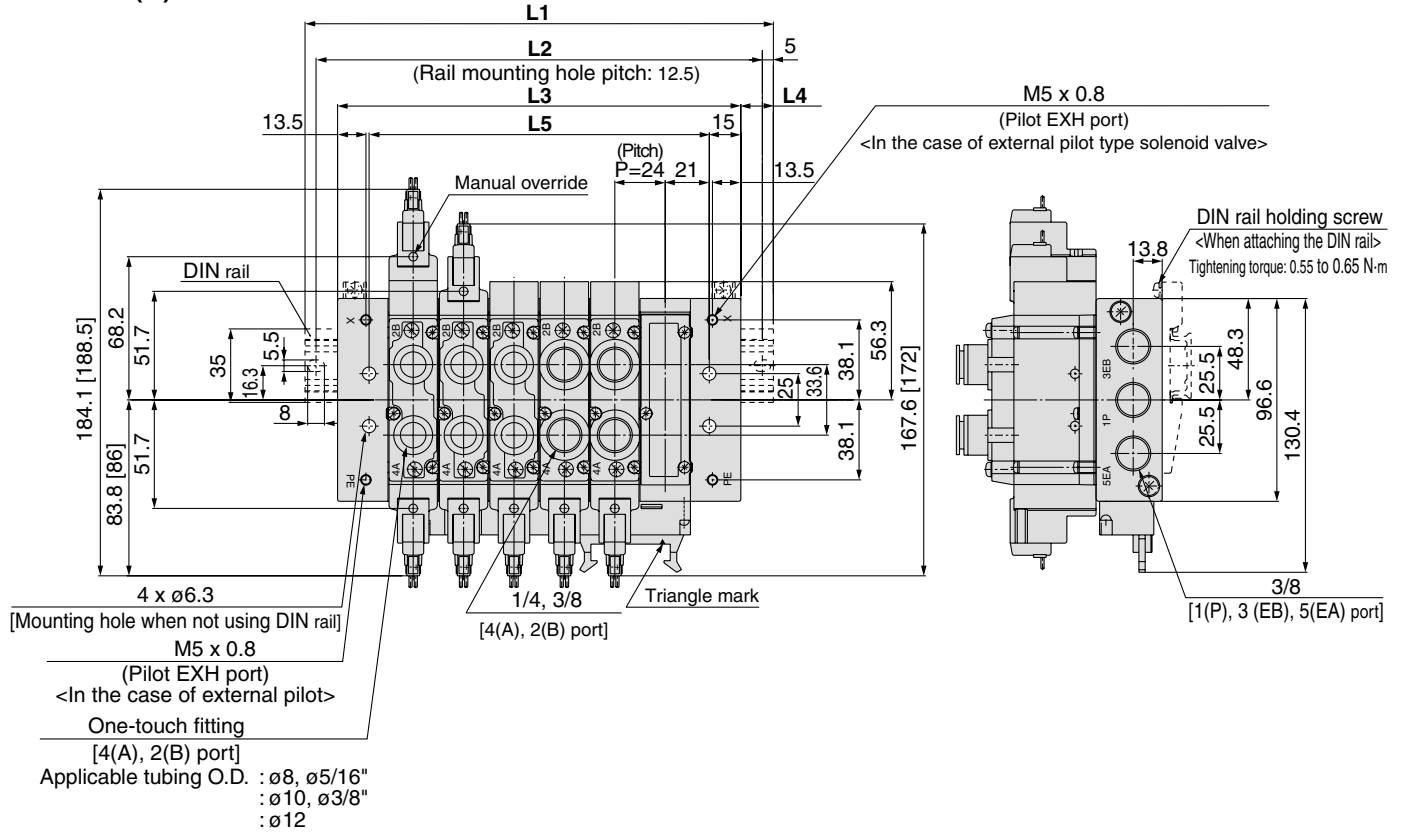
- For more than 10 stations, both poles of the common should be wired.
- For single solenoid, connect to the solenoid A side.
- The maximum number of stations that can be accommodated is 12. For more stations, please contact SMC.



SJ
SY
SV
SYJ
SZ
VP4
S0700
VQ
VQ4
VQ5
VQC
VQZ
SQ
VFS
VFR
VQ7

SY9000: SS5Y9-23P- Stations -(D)

Grommet (G)



Stations n	4 stations	5	6	7	8	9	10	11	12 stations
L1	173	198	223	248	273	298	323	335.5	360.5
L2	162.5	187.5	212.5	237.5	262.5	287.5	312.5	325	350
L3	144	168	192	216	240	264	288	312	336
L4	14.5	15	15.5	16	16.5	17	17.5	12	12.5
L5	114	138	162	186	210	234	258	282	306

Note) In the case of direct mounting without DIN rail, total width of manifold is L3.

EX510 Gateway System Serial Transmission System Body Ported Manifold/Integrated Base Series SY3000/5000/7000

Type **20SA**



How to Order Manifold

SS5Y **3** - 20SA **□** - **04** - **□** - **□**

Manifold series

3	SY3000
5	SY5000
7	SY7000

SI unit

Nil	NPN output (+COM.)
N	PNP output (-COM.)

SI unit part no.

Symbol	SI unit specifications	SI unit part no.	Page
Nil	NPN output (+COM.)	EX510-S001	P.1715 to 1717
N	PNP output (-COM.)	EX510-S101	

For details of "Gateway System Serial Transmission System, Series EX510", refer to pages 1696 through to 1724.

CE-compliant

Nil	—
Q	CE-compliant

P, R port thread type

Nil	Rc
00F	G
00N	NPT
00T	NPTF

Valve stations

Symbol	Stations	Note
03	3 stations	Double wiring ^{Note 1)}
:	:	
08	8 stations	Specified layout ^{Note 2)} (Compatible with 16 solenoid valves)
03	3 stations	
:	:	
16	16 stations	

• SS5Y3 can be set from 4 stations.

• The number of the blanking plate assembly is also included.

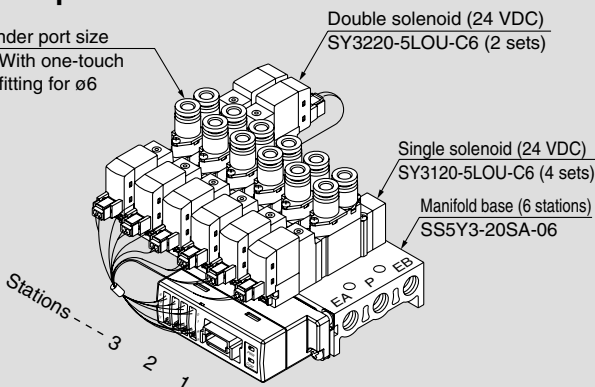
Note 1) Double wiring: Use of a single solenoid will result in an unused control signal. If this is not desired, order with a specified layout.

Note 2) Specified layout: Indicate wiring specifications on the manifold specification sheet. (Note that double and 3 position valves cannot be used where single solenoid wiring has been specified.)

How to Order Manifold Assembly (Example)

Example

Cylinder port size
C6: With one-touch
fitting for ø6



SS5Y3-20SA-061 set (20SA type 6-station manifold part no.)
* SY3120-5LOU-C6...4 sets (Single solenoid part no.)
* SY3220-5LOU-C6...2 sets (Double solenoid part no.)

→The asterisk denotes the symbol for assembly. Prefix to the part no. of the solenoid valve, etc.

Add the valve and option part number under the manifold base part number.
When entry of part numbers becomes complicated, indicate by the manifold specification sheet. For a manifold for an EX510, the length of the lead wire for a connector assembly depends on the number of stations. Therefore, the manifold assembly is shipped with the valves (including blanking plates) and connector assembly mounted on it, as the standard specification. Be sure to specify the part nos. of the solenoid valves to be mounted.

How to Order Valves

SY 3 1 20 - 5 LO Z [] - M5 [] - []

Series

3	SY3000
5	SY5000
7	SY7000

Type of actuation

1	2 position single
2	2 position double
3	3 position closed center
4	3 position exhaust center
5	3 position pressure center

Rated voltage: 24 VDC

Light/surge voltage suppressor

Z	With light/surge voltage suppressor
U	Without light/surge voltage suppressor (non-polar type)

Manual override

Nil	Non-locking push type
D	Push-turn locking slotted type
E	Push-turn locking lever type

CE-compliant

Nil	—
Q	CE-compliant

Thread type

Nil	Rc
F	G
N	NPT
T	NPTF

A, B port size

Thread piping

M5	M5 x 0.8	SY3000
01	1/8	SY5000
02	1/4	SY7000

One-touch fitting (Metric size)

C4	One-touch fitting for ø4	SY3000
C6	One-touch fitting for ø6	
C4	One-touch fitting for ø4	SY5000
C6	One-touch fitting for ø6	
C8	One-touch fitting for ø8	SY7000
C8	One-touch fitting for ø8	
C10	One-touch fitting for ø10	

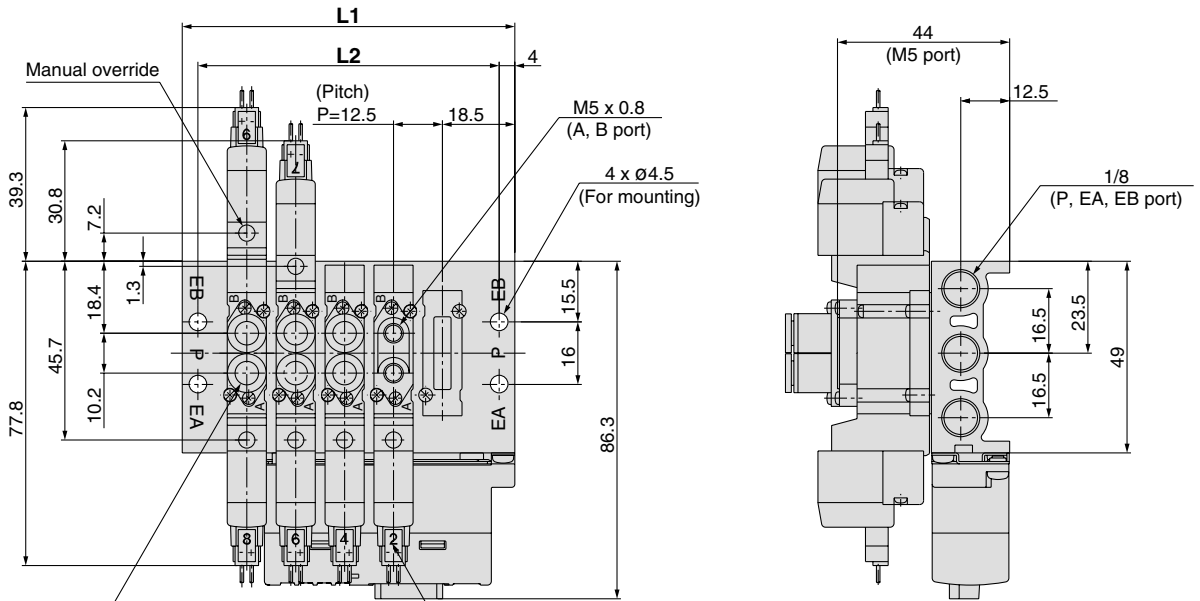
One-touch fitting (Inch size)

N3	One-touch fitting for ø5/32"	SY3000
N7	One-touch fitting for ø1/4"	
N3	One-touch fitting for ø5/32"	SY5000
N7	One-touch fitting for ø1/4"	
N9	One-touch fitting for ø5/16"	SY7000
N9	One-touch fitting for ø5/16"	
N11	One-touch fitting for ø3/8"	

- SJ
- SY**
- SV
- SYJ
- SZ
- VP4
- S0700
- VQ
- VQ4
- VQ5
- VQC
- VQZ
- SQ
- VFS
- VFR
- VQ7

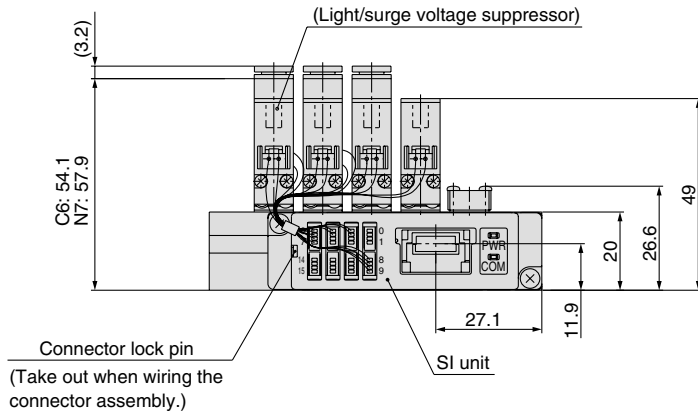
Type **20SA** Series **SY3000/5000/7000**

SY3000: SS5Y3-20SA - Stations -



One-touch fitting
(A, B port)
Applicable tubing O.D.: $\varnothing 4$, $\varnothing 5/32''$
 $\varnothing 6$, $\varnothing 1/4''$

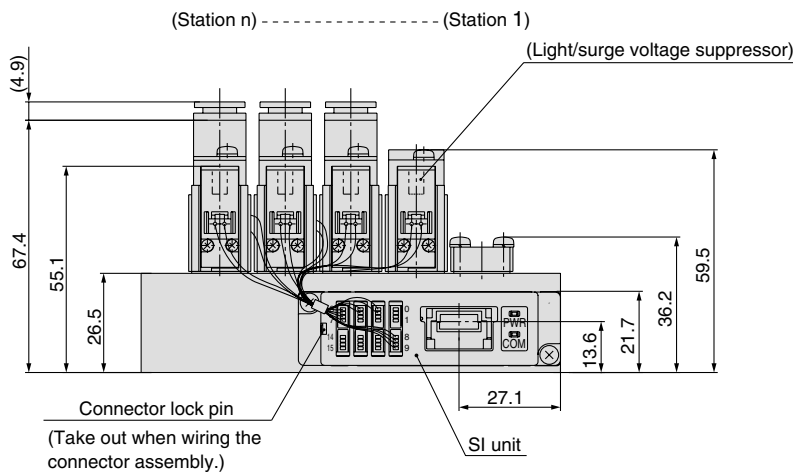
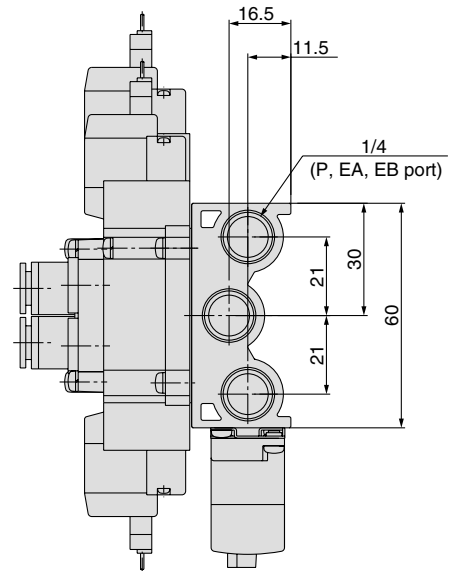
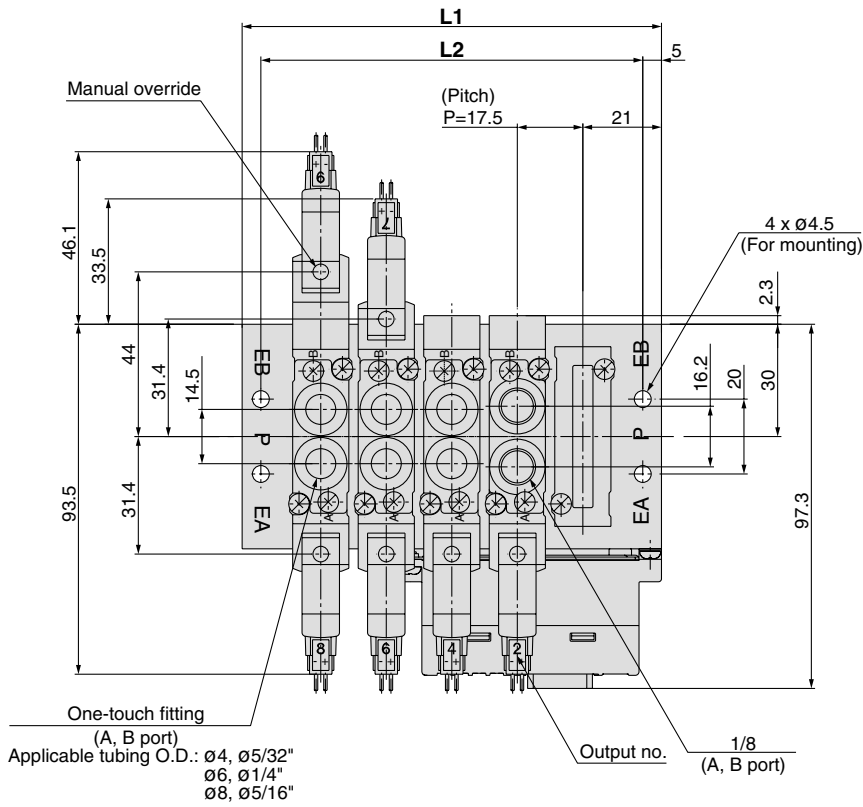
(Station n) ----- (Station 1)



Connector lock pin
(Take out when wiring the
connector assembly.)

Stations n	4 stations	5	6	7	8	9	10	11	12	13	14	15	16 stations
L1	72.5	85	97.5	110	122.5	135	147.5	160	172.5	185	197.5	210	222.5
L2	64.5	77	89.5	102	114.5	127	139.5	152	164.5	177	189.5	202	214.5

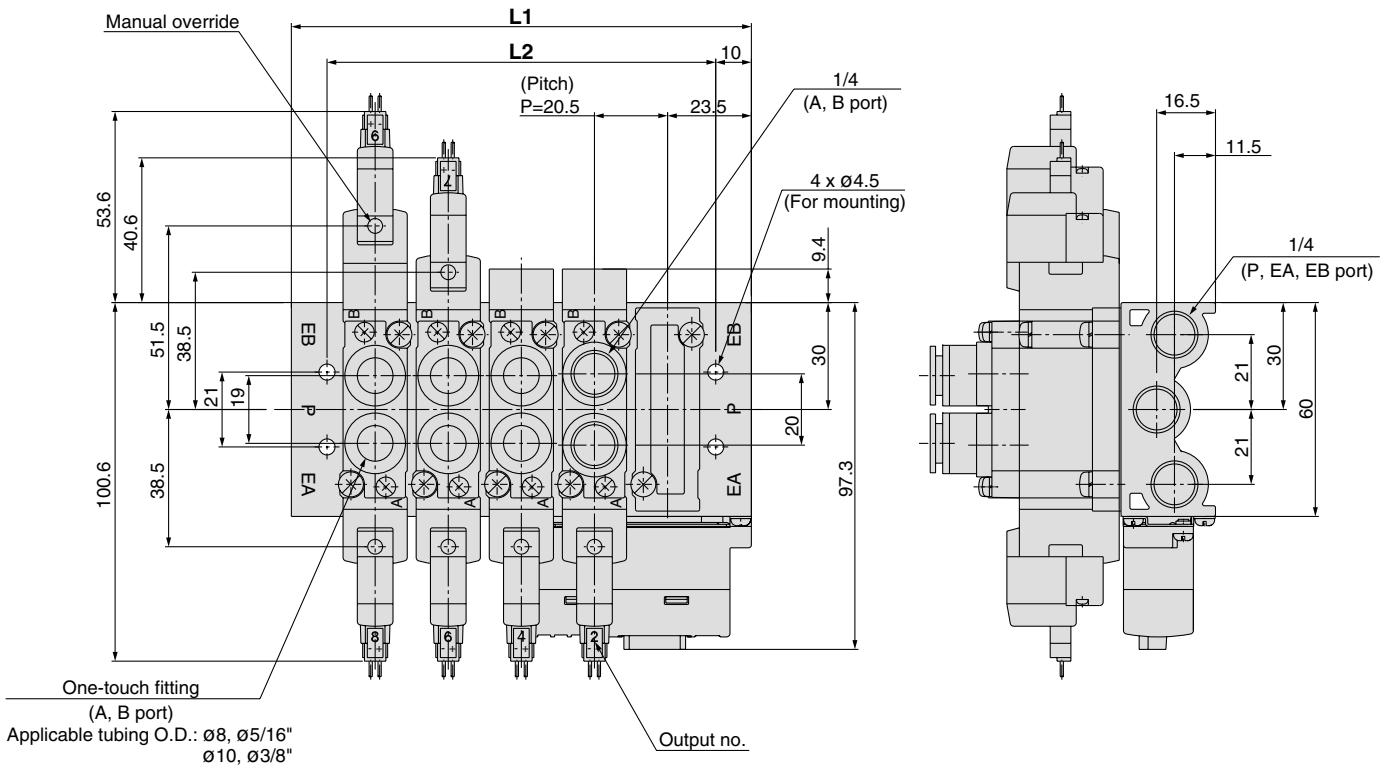
SY5000: SS5Y5-20SA - Stations -



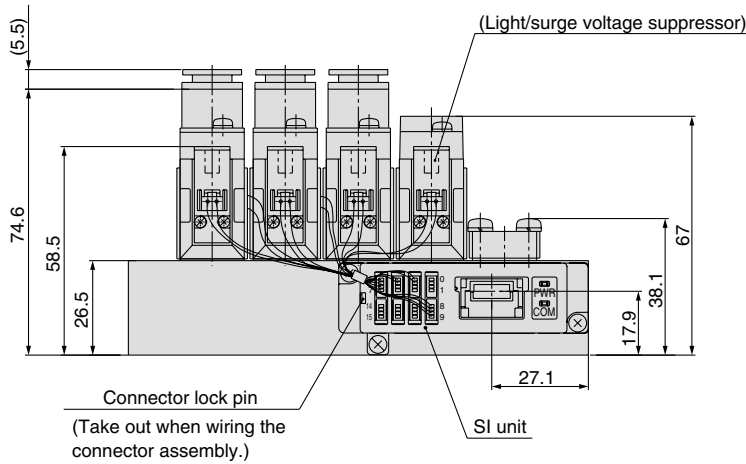
- SJ
- SY**
- SV
- SYJ
- SZ
- VP4
- S0700
- VQ
- VQ4
- VQ5
- VQC
- VQZ
- SQ
- VFS
- VFR
- VQ7

Stations n	3 stations	4	5	6	7	8	9	10	11	12	13	14	15	16 stations
L1	77	94.5	112	129.5	147	164.5	182	199.5	217	234.5	252	269.5	287	304.5
L2	67	84.5	102	119.5	137	154.5	172	189.5	207	224.5	242	259.5	277	294.5

SY7000: SS5Y7-20SA - Stations -



(Station n) ----- (Station 1)



Stations n	3 stations	4	5	6	7	8	9	10	11	12	13	14	15	16 stations
L1	88	108.5	129	149.5	170	190.5	211	231.5	252	272.5	293	313.5	334	354.5
L2	68	88.5	109	129.5	150	170.5	191	211.5	232	252.5	273	293.5	314	334.5

EX510 Gateway System Serial Transmission System Body Ported Manifold/Stacking Type Series SY9000

Type **23SA**



How to Order Manifold

SS5Y9-23SA [] - 03 - [] - [] - []

SI unit

Nil	NPN output (+COM.)
N	PNP output (-COM.)

CE-compliant

Nil	—
Q	CE-compliant

Valve stations

Symbol	Stations	Note
03	3 stations	Double wiring ^{Note 1)}
⋮	⋮	
08	8 stations	Specified layout ^{Note 2)} (Compatible with 16 solenoid valves)
03	3 stations	
⋮	⋮	
16	16 stations	

- The number of the blanking plate assembly is also included.
- Note 1) Double wiring: Use of a single solenoid will result in an unused control signal. If this is not desired, order with a specified layout.
- Note 2) Specified layout: Indicate wiring specifications on the manifold specification sheet. (Note that double and 3 position valves cannot be used where single solenoid wiring has been specified.)

Option

Nil	Direct mounting
D	DIN rail mounting (With DIN rail)
DO	DIN rail mounting (Without DIN rail)
D*	When a longer DIN rail is desired than the specified stations, specify the station number to be required into * mark.

P, R port thread type

Nil	Rc
00F	G
00N	NPT
00T	NPTF

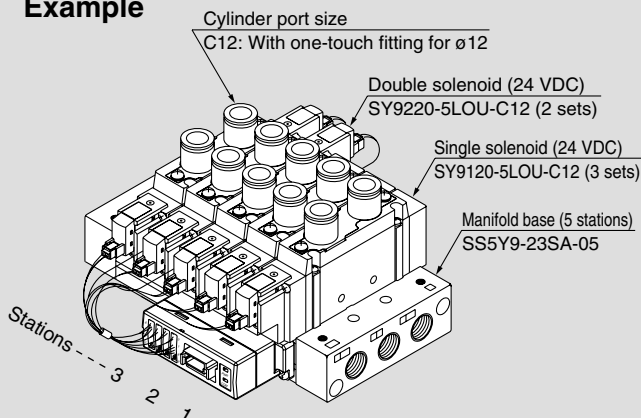
SI unit part no.

Symbol	SI unit specifications	SI unit part no.	Page
Nil	NPN output (+COM.)	EX510-S001	P.1715 to 1717
N	PNP output (-COM.)	EX510-S101	

For details of "Gateway System Serial Transmission System, Series EX510", refer to pages 1696 through to 1724.

How to Order Manifold Assembly (Example)

Example



SS5Y9-23SA-051 set (23SA type 5-station manifold part no.)
 * SY9120-5LOU-C12...3 sets (Single solenoid part no.)
 * SY9220-5LOU-C12...2 sets (Double solenoid part no.)

→The asterisk denotes the symbol for assembly. Prefix to the part no. of the solenoid valve, etc.

Add the valve and option part number under the manifold base part number. When entry of part numbers becomes complicated, indicate by the manifold specification sheet. For a manifold for an EX510, the length of the lead wire for a connector assembly depends on the number of stations. Therefore, the manifold assembly is shipped with the valves (including blanking plates) and connector assembly mounted on it, as the standard specification. Be sure to specify the part nos. of the solenoid valves to be mounted.

How to Order Valves

SY9 **1** **20** **□** - **5** **LO** **Z** **□** - **02** **□** - **□**

Type of actuation

1	2 position single
2	2 position double
3	3 position closed center
4	3 position exhaust center
5	3 position pressure center

Pilot specifications

Nil	Internal pilot
R	External pilot

Rated voltage: 24 VDC

Light/surge voltage suppressor

Z	With light/surge voltage suppressor
U	Without light/surge voltage suppressor (non-polar type)

Manual override

Nil	Non-locking push type
D	Push-turn locking slotted type
E	Push-turn locking lever type

CE-compliant

Nil	—
Q	CE-compliant

Thread type

Nil	Rc
F	G
N	NPT
T	NPTF

A, B port size

Thread piping

02	1/4
03	3/8

One-touch fitting (Metric size)

C8	One-touch fitting for ø8
C10	One-touch fitting for ø10
C12	One-touch fitting for ø12

One-touch fitting (Inch size)

N9	One-touch fitting for ø5/16"
N11	One-touch fitting for ø3/8"

SJ

SY

SV

SYJ

SZ

VP4

S0700

VQ

VQ4

VQ5

VQC

VQZ

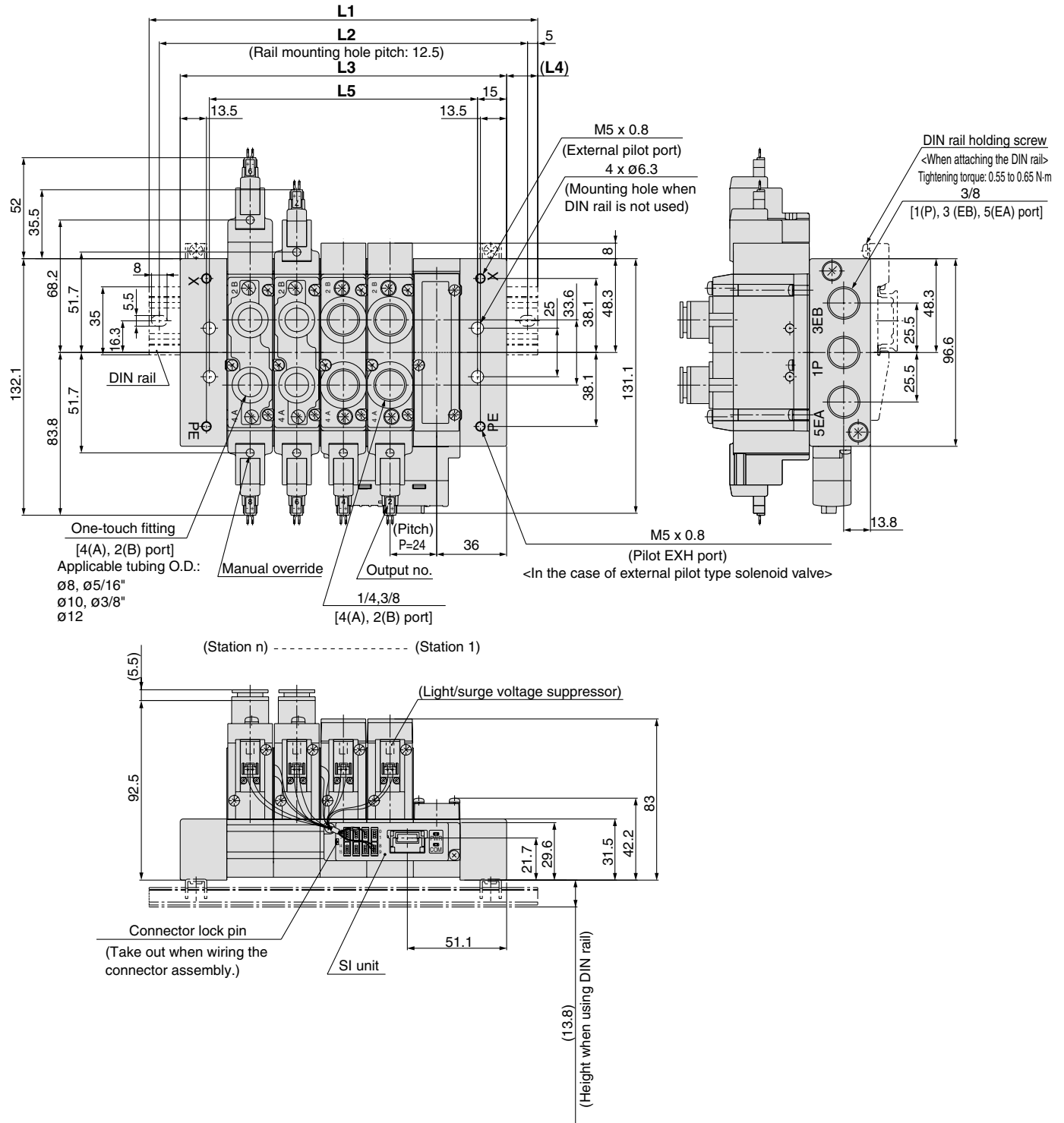
SQ

VFS

VFR

VQ7

SY9000: SS5Y9-23SA - Stations - (-D)

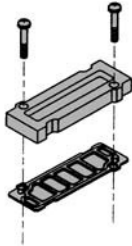


Stations n	3 stations	4	5	6	7	8	9	10	11	12	13	14	15	16 stations
L1	148	173	198	223	248	273	298	323	335.5	360.5	385.5	410.5	435.5	460.5
L2	137.5	162.5	187.5	212.5	237.5	262.5	287.5	312.5	325	350	375	400	425	450
L3	120	144	168	192	216	240	264	288	312	336	360	384	408	432
L4	14	14.5	15	15.5	16	16.5	17	17.5	12	12.5	13	13.5	14	14.5
L5	90	114	138	162	186	210	234	258	282	306	330	354	378	402

Note) In the case of direct mounting without DIN rail, total width of manifold is L3.

Manifold Option

■ Type 20, 23, 20SA, 23SA Blanking plate assembly



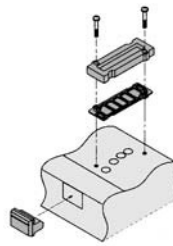
<Standard>

Series	Assembly part no.
SY3000	SY3000-26-9A
SY5000	SY5000-26-20A
SY7000	SY7000-26-22A
SY9000	SY9000-26-1A

<CE-compliant>

Series	Assembly part no.
SY3000	SY3000-26-19A-Q
SY5000	SY5000-26-1A-Q
SY7000	SY7000-26-1A-Q
SY9000	SY9000-26-1A-Q

■ Type 20P, 23P Blanking plate assembly



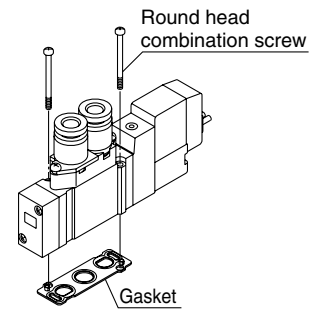
<Standard>

Series	Assembly part no.
SY3000	SY3000-26-10A
SY5000	SY5000-26-21A
SY7000	SY7000-26-23A
SY9000	SY9000-26-3A

<CE-compliant>

Series	Assembly part no.
SY3000	SY3000-26-20A-Q
SY5000	SY5000-26-3A-Q
SY7000	SY7000-26-3A-Q
SY9000	SY9000-26-3A-Q

■ Gasket assembly part no.

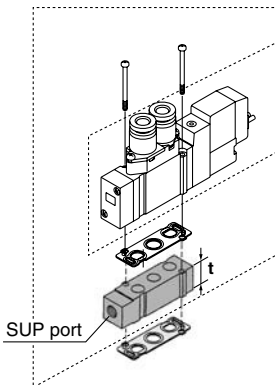


Series	Gasket assembly part no.
SY3000	SY3000-GS-1
SY5000	SY5000-GS-1
SY7000	SY7000-GS-1
SY9000	SY9000-GS-1



Note) The gasket assembly includes 10 sets of mounting screws and a gasket.

■ Individual SUP spacer assembly

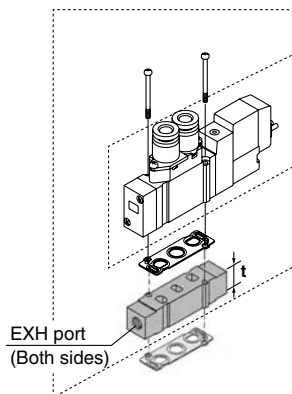


Series	Assembly part no.	Port size	t
SY3000	SY3000-38-20A(-Q)	M5 x 0.8	10.5
SY5000	SY5000-38-1*A(-Q)	1/8	15
SY7000	SY7000-38-1*A(-Q)	1/4	18
SY9000	SY9000-38-1*A(-Q)	1/4	20



Note) • The SUP port of SY3000/5000/7000 may be either on the lead wire side or on the end plate side. (An assembly is shipped under the conditions shown in the figure.)
• The end plate side is only available to SY9000.

■ Individual EXH spacer assembly

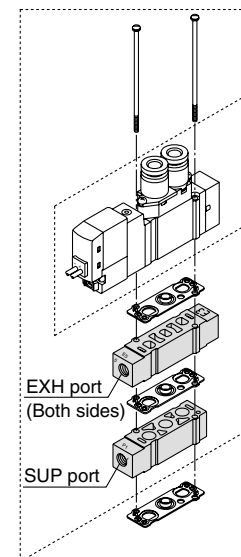


Series	Assembly part no.	Port size	t
SY3000	SY3000-39-20A(-Q)	M5 x 0.8	10.5
SY5000	SY5000-39-1*A(-Q)	1/8	15
SY7000	SY7000-39-1*A(-Q)	1/4	18
SY9000	SY9000-39-1*A(-Q)	1/4	20



Note) In case of 20P and 23P, for protection of the wiring unit section from drainage, piping at the EA port should be arranged so that it will not be directly exposed to exhaust from the valve.

■ Individual SUP spacer assembly + Individual EXH spacer assembly (Double spacer)



⚠ Caution

Mounting screw tightening torques

M2: 0.16 N·m
M3: 0.8 N·m
M4: 1.4 N·m

⚠ Warning

When mounting a valve or spacer on the manifold base or sub-plate, etc., those mounting directions are determined. If mounted in the wrong direction, the equipment to be connected may cause malfunction. Refer to external dimensions, and then mount it.

* Thread type

Nil	Rc
F	G
N	NPT
T	NPTF

[●: Available x: Not available]

Series	Individual SUP + Individual EXH Assemble part no.	Port size	Applicable manifold types	
			20	20P
SY3000	SY3000-120-1A(-Q)	M5 x 0.8	●	x
SY5000	SY5000-75-2*A(-Q)	1/8	●	x
SY7000	SY7000-73-3*A(-Q)	1/4	●	x



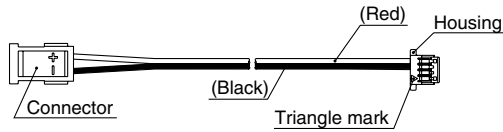
Note) The SUP spacer's port does not have an orientation. As for the EXH ports, adjust the symbol "5" to the pilot valve side. Also, please make sure to connect the individual ports to protect the wiring section of the pilot valve from drainage, etc. The individual SUP spacer and EXH spacer can be mounted either on the upper side or lower side. (The above illustration shows the condition when the product is shipped out from a factory.)

SJ
SY
SV
SYJ
SZ
VP4
S0700
VQ
VQ4
VQ5
VQC
VQZ
SQ
VFS
VFR
VQ7

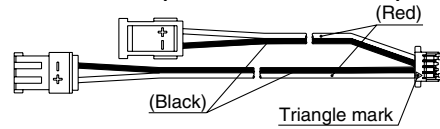
Manifold Option

■ **Connector assembly**

For single solenoid (SY3000-37-81A-□-N)



For double solenoid (SY3000-37-81A-□-□)



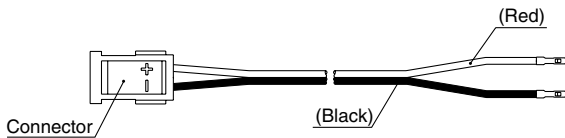
Connector assembly order no. (Can be used for the manifold without a specified layout (8 stations or less))
Integrated type

Model	Part no.	Connector mounting position
SS5Y3-20SA	SY3000-37-81A-3-N	Single : For 1 to 4 stations
	SY3000-37-81A-3-6	Double/3 position: For 1 to 4 stations
	SY3000-37-81A-2-N	Single : For 5 to 8 stations
	SY3000-37-81A-2-4	Double/3 position: For 5 to 8 stations
SS5Y5-20SA	SY3000-37-81A-3-N	Single : For 1 to 8 stations
	SY3000-37-81A-3-6	Double/3 position: For 1 to 8 stations
SS5Y7-20SA	SY3000-37-81A-3-N	Single : For 1 to 4 stations
	SY3000-37-81A-3-6	Double/3 position: For 1 to 4 stations
	SY3000-37-81A-4-N	Single : For 5 to 8 stations
	SY3000-37-81A-4-7	Double/3 position: For 5 to 8 stations

Note) The above is for the station addition or maintenance. When ordering a connector assembly separately, a number would not be printed on the connector.

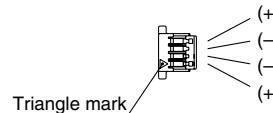
■ **Connector assembly**

SY3000-37-80A-□



■ **Housing (8 pcs./set)**

SY3000-44-3A



Connector assembly order no. (Can be used for the manifold with a specified layout)

Model	Part no.	Connector mounting position
SS5Y3-20SA	SY3000-37-80A-3	For A side : For 1 to 8 stations
	SY3000-37-80A-6	For B side
	SY3000-37-80A-4	For A side : For 9 to 16 stations
	SY3000-37-80A-7	For B side
SS5Y5-20SA	SY3000-37-80A-3	For A side : For 1 to 8 stations
	SY3000-37-80A-6	For B side
	SY3000-37-80A-7	For A side : For 9 to 16 stations
	SY3000-37-80A-9	For B side
SS5Y7-20SA	SY3000-37-80A-4	For A side : For 1 to 8 stations
	SY3000-37-80A-7	For B side
	SY3000-37-80A-8	For A side : For 9 to 16 stations
	SY3000-37-80A-11	For B side
SS5Y9-23SA	SY3000-37-80A-6	For A side : For 1 to 8 stations
	SY3000-37-80A-11	For B side
	SY3000-37-80A-9	For A side : For 9 to 12 stations
	SY3000-37-80A-14	For B side
	SY3000-37-80A-13	For A side : For 13 to 16 stations
	SY3000-37-80A-18	For B side

Note 1) The above is for station addition or maintenance. When ordering a connector assembly separately, a number will not be printed on the connector.

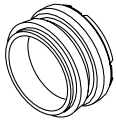
Note 2) After inserting the connector assembly into the housing, be sure to confirm that the lead wire will not come off by lightly pulling the wire. Furthermore, do not reuse the lead wire after it has been inserted and removed.

Note 3) Wiring is set longer than the actual wiring distance.

Manifold Option

■ SUP blocking disk (For SY9000)

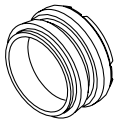
By installing a SUP blocking disk in the pressure supply passage of a manifold valve, it is possible to supply two or more different high and low pressures to one manifold.



Series	Part no.
SY9000	SY9000-61-2A

■ EXH blocking disk (For SY9000)

By installing an EXH blocking disk in the exhaust passage of a manifold valve, it is possible to divide the valve's exhaust so that it does not affect another valve. (Two blocking disks are needed to divide both exhausts.)



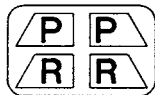
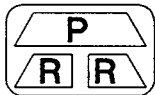
Series	Part no.
SY9000	SY9000-61-2A

■ Label for blocking disk (For SY9000)

The labels shown below are used on manifold stations containing SUP/EXH blocking disk(s) to show their location. (3 pcs. each)

VZ3000-123-1A

Label for SUP block disk Label for EXH block disk Label for SUP/EXH block disk



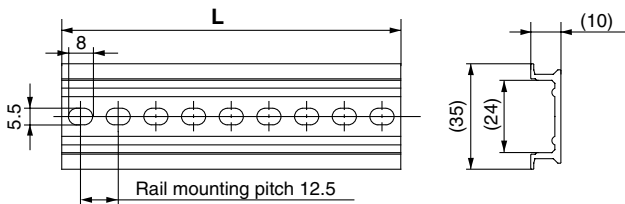
* When a block disk is concurrently ordered by specifying on the manifold specification sheet, etc., a label will be stuck on the position where block disk is mounted.

■ DIN Rail Dimensions/Mass for SY9000

VZ1000-11-4-□

● Refer to L dimensions

* Fill in □ with an appropriate no. listed on the table of DIN rail dimensions shown below.

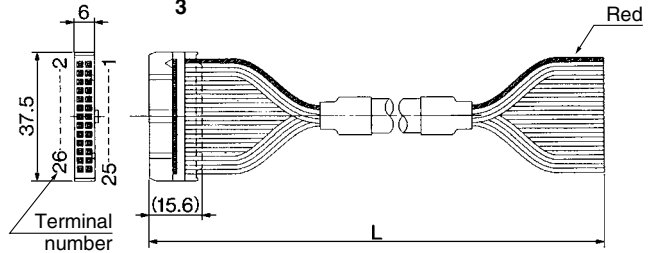


No.	0	1	2	3	4	5	6	7	8	9
L Dimension	98	110.5	123	135.5	148	160.5	173	185.5	198	210.5
Mass (g)	24.8	28	31.1	34.3	37.4	40.6	43.8	46.9	50.1	53.3
No.	10	11	12	13	14	15	16	17	18	19
L Dimension	223	235.5	248	260.5	273	285.5	298	310.5	323	335.5
Mass (g)	56.4	59.6	62.7	65.9	69.1	72.2	75.4	78.6	81.7	84.9
No.	20	21	22	23	24	25	26	27	28	29
L Dimension	348	360.5	373	385.5	398	410.5	423	435.5	448	460.5
Mass (g)	88	91.2	94.4	97.5	100.7	103.9	107	110.2	113.3	116.5

Note) -For DIN rail, refer to page 338.
 -Refer to L1 dimension on pages 153, 162 and 172 for lengths that correspond to the number of manifold stations.

■ Cable assembly (For 20P, 23P)

AXT100-FC26-¹/₃



Connector Assembly for Flat Ribbon Cables

Cable length (L)	Assembly part no.	Note
1.5 m	AXT100-FC26-1	Cable 26 core x 28 AWG
3 m	AXT100-FC26-2	
5 m	AXT100-FC26-3	

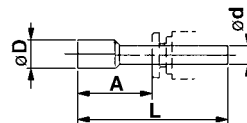
* For other commercial connectors, use a 26 pins with strain relief conforming to MIL-C-83503.

Connector manufacturers' example

- Hirose Electric Company
- Japan Aviation Electronics Industry, Ltd.
- Sumitomo 3M Limited
- J.S.T. Mfg. Co., Ltd.
- Fujitsu Limited

■ Plug (white)

These are inserted in unused cylinder ports and SUP, EXH ports. Purchasing order is available in units of 10 pieces.



Dimensions

Applicable fittings size ød	Model	A	L	D
4	KQ2P-04	16	32	6
6	KQ2P-06	18	35	8
8	KQ2P-08	20.5	39	10
10	KQ2P-10	22	43	12
12	KQ2P-12	24	44.5	14
1/8"	KQ2P-01	16	31.5	5
5/32"	KQ2P-03	16	32	6
1/4"	KQ2P-07	18	35	8.5
5/16"	KQ2P-09	20.5	39	10
3/8"	KQ2P-11	22	43	11.5

- SJ
- SY
- SV
- SYJ
- SZ
- VP4
- S0700
- VQ
- VQ4
- VQ5
- VQC
- VQZ
- SQ
- VFS
- VFR
- VQ7

How to Increase Manifold Bases (Series SY9000 only) Manifold case can be added at any location.

When a type 23 manifold base is added, tension bolts as well as manifold block assembly will be required. Order the tension bolt suitable for the stations after a station was increased (decreased), since the length of a tension bolt differs by the number of stations. (For changing the number of stations for a type 23P manifold, wiring unit for the stations and lead assembly will be required.)


- 1 Loosen the tension bolts ⑤ connecting the manifold base, and pull out both of 2 tension bolts.
(When equipped with a DIN rail, loosen one DIN rail holding screw on either U side or D side.)
- 2 Separate the blocks at the location where station expansion is desired.
- 3 Mount additional manifold block assembly.
- 4 Press block-to-block so that there's no gap. After connection, insert a tension bolt for desired stations and then tighten it.

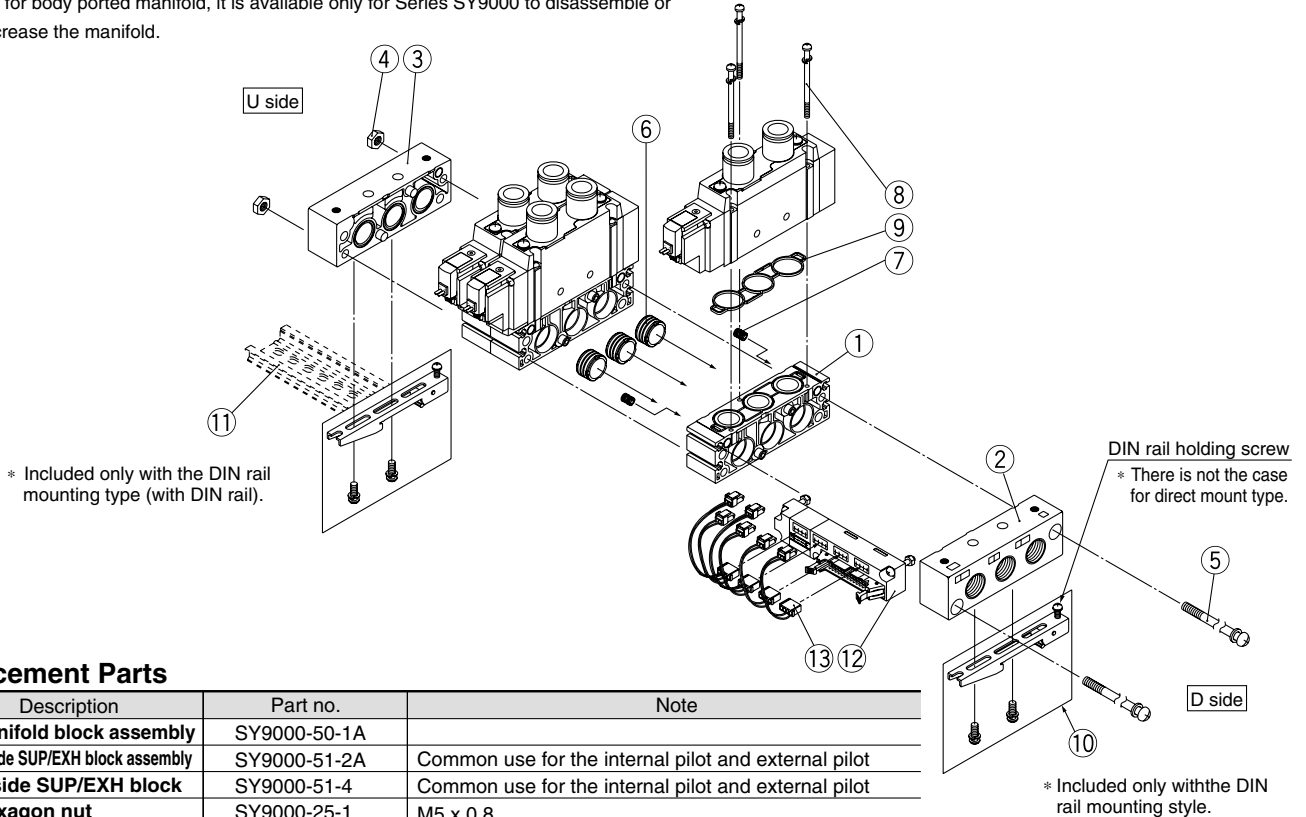
⚠ Caution (Tightening torque: 2.9 N·m)
(When equipped with a DIN rail, be sure to tighten the DIN rail holding screws after tightening the tension bolts. Tightening torque: 1.4 N·m)

⚠ Caution

1. Be sure to shut off the power and air supplies before disassembly. Furthermore, since air may remain inside the actuator, piping and manifold, confirm that the air is completely exhausted before performing any work.
2. When disassembly and assembly are performed, air leakage may result if connections between blocks and tightening of the end block's holding screw, is inadequate.
3. By adding wiring unit assembly to type 23 manifold, it can be changed to type 23P manifold, too.

Body Ported Manifold Exploded View, 23/23P Common

 As for body ported manifold, it is available only for Series SY9000 to disassemble or increase the manifold.



Replacement Parts

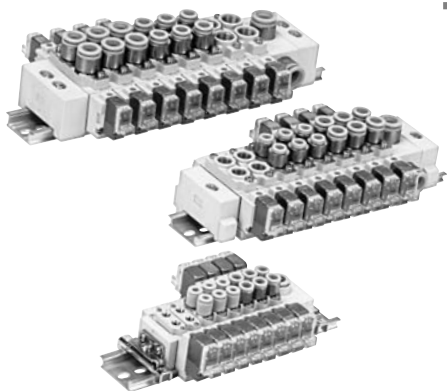
No.	Description	Part no.	Note
1	Manifold block assembly	SY9000-50-1A	
2	D side SUP/EXH block assembly	SY9000-51-2A	Common use for the internal pilot and external pilot
3	U side SUP/EXH block	SY9000-51-4	Common use for the internal pilot and external pilot
4	Hexagon nut	SY9000-25-1	M5 x 0.8
5	Tension bolt	SY9000-23-□	Since □ at the end of part number corresponds with the number of stations, fill in the same number as the number of stations.
6	Bush assembly	SY9000-61-1A	Included in the Manifold block assembly and the D side SUP/EXH block assembly.
7	Bush assembly	SY9000-61-3A	Included in the Manifold block assembly and the D side SUP/EXH block assembly.
8	Round head combination screw	SY9000-18-2	Included in the Manifold block assembly.
9	Manifold gasket	SY9000-11-1	Included in the Manifold block assembly.
10	Clamp sub assembly	SY9000-29-1A	
11	DIN rail	VZ1000-11-4-□	Refer to page 175.
12	Wiring unit assembly	SY9000-36-□A	Since □ in part number corresponds with the number of stations, fill in the number of stations (4 to 12).
13	Connector assembly	SY9000-37-□□	Refer to page 161.

5 Port Solenoid Valve Body Ported Manifold Cassette Type



Type **60**

Series SY3000/5000/7000



How to Order

SS5Y **3** - 60 - **05** **D** - [] - []

Series

3	SY3000
5	SY5000
7	SY7000

Valve stations

02	2 stations
⋮	⋮
20	20 stations

CE-compliant

Nil	—
Q	CE-compliant

* For DC only.

Option
When a DIN rail longer than standard is required, enter the number of manifold stations that corresponds with the length of DIN rail needed. Max. 20 stations

SUP/EXH block assembly mounting position

Symbol	Mounting position	Applicable stations
U	U side	2 to 10 stations
D	D side	2 to 10 stations
B	Both sides	2 to 20 stations
M*	Special location	

* For special specifications, indicate separately by the manifold specification sheet.

How to Order Manifold Assembly (Example)

Example

Cylinder port size
M5: M5 x 0.8

Cylinder port size
C6: With one-touch fitting for ø6

Double solenoid (24 VDC)
SY3260-5G-C6(-Q) (2 sets)

Single solenoid (24 VDC)
SY3160-5G-M5(-Q) (2 sets)

Manifold base (4 stations)
SS5Y3-60-04U(-Q)

R port
C8: With one-touch fitting for ø8

P port
C8: With one-touch fitting for ø8

D side

U side

1 2 ... n Stations


SS5Y3-60-04U 1 set (Type 60, 4-station manifold base part no.)
 * SY3260-5G-C6 2 sets (Double solenoid part no.)
 * SY3160-5G-M5 2 sets (Single solenoid part no.)

↳ The asterisk denotes the symbol for assembly. Prefix it to the part nos. of the solenoid valve, etc.

Add the valve and option part number under the manifold base part number. In the case of complex arrangement, specify them on the manifold specification sheet.

Manifold Specifications


Model	SS5Y3-60(-Q)	SS5Y5-60(-Q)	SS5Y7-60(-Q)	
Applicable valve	SY3□60	SY5□60	SY7□60	
Manifold type	Stacking type/DIN rail mounted			
P (SUP)/R (EXH)	Common SUP/Common EXH			
Valve stations	2 to 20 stations ^{Note 1)}			
A, B port location	Valve			
Port size	P, R port	C8 (One-touch fitting for ø8)	C10 (One-touch fitting for ø10)	C12 (One-touch fitting for ø12)
	A, B port	M5 x 0.8 C4 (One-touch fitting for ø4) C6 (One-touch fitting for ø6)	1/8 C4 (One-touch fitting for ø4) C6 (One-touch fitting for ø6) C8 (One-touch fitting for ø8)	1/4 C8 (One-touch fitting for ø8) C10 (One-touch fitting for ø10)
Manifold base mass W (g) ^{Note 2)} (n: Number of SUP/EXH blocks, m: Mass of DIN rail)	W = 13n + m + 36	W = 41.2n + m + 77.6	W = 65.4n + m + 128.2	

 Note 1) In cases such as those where many valves are operated simultaneously, use “-stationB (SUP/EXH block on both sides)”, applying pressure to the P ports on both sides and exhausting from the R ports on both sides.

Note 2) For DIN rail mass, refer to page 186.

Flow Characteristics

Model	Port size		Flow characteristics					
	1,5/3 (P,R)	4,2 (A,B)	1 → 4/2(P → A/B)			4/2 → 5/3(A/B → R)		
			C (dm ³ /(s·bar))	b	Cv	C (dm ³ /(s·bar))	b	Cv
SS5Y3-60(-Q)	C8	M5	0.55	0.29	0.14	0.72	0.24	0.18
		C4	0.57	0.24	0.14	0.71	0.20	0.17
		C6	0.68	0.28	0.17	0.77	0.24	0.19
SS5Y5-60(-Q)	C10	1/8	1.8	0.24	0.44	2.1	0.17	0.47
		C6	1.5	0.30	0.37	2.0	0.16	0.46
		C8	1.8	0.20	0.45	2.2	0.17	0.50
SS5Y7-60(-Q)	C12	1/4	3.7	0.25	0.96	3.8	0.19	0.94
		C8	3.2	0.26	0.81	4.0	0.18	0.96
		C10	3.7	0.28	0.98	4.1	0.19	1.0

 Note) The value is for manifold base with 5 stations and individually operated 2 position type.

SJ

SY

SV

SYJ

SZ

VP4

S0700

VQ

VQ4

VQ5

VQC

VQZ

SQ

VFS

VFR

VQ7

How to Order Valve

SY 3 1 60 - 5 L - C6 - - -

Series

3	SY3000
5	SY5000
7	SY7000

Type of actuation

1	2 position single
2	2 position double
3	3 position closed center
4	3 position exhaust center
5	3 position pressure center

Coil specifications

Nil	Standard
T	With power saving circuit (24 VDC, 12 VDC only)

* Power saving circuit is not available in the case of D, Y, DO, YO or W□ type.

Rated voltage

For DC	
5	24 VDC
6	12 VDC
V	6 VDC
S	5 VDC
R	3 VDC

For AC (50/60Hz)	
1	100 VAC
2	200 VAC
3	110 VAC [115 VAC]
4	220 VAC [230 VAC]

* DC specifications of type D, Y, DO and YO is only available with 12 and 24 VDC.
* D, Y, DO and YO only available for SY5000, SY7000.
* For type W□, DC voltage is only available.

Made to Order

Nil	—
X20	Body ported external pilot (Refer to page 332.)
X90	Main valve fluoro rubber (Refer to page 332.)

A, B port size

Thread piping

Symbol	Port size	Applicable series
M5	M5 x 0.8	SY3000
O1	1/8	SY5000
O2	1/4	SY7000

Thread type

Nil	Rc
F	G
N	NPT
T	NPTF

* Except for M5

CE-compliant

Nil	—
Q	CE-compliant

* For DC only except DIN terminal.

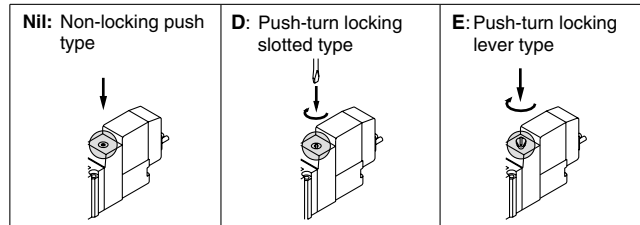
One-touch fitting (Metric size)

Symbol	Port size	Applicable series
C4	One-touch fitting for ø4	SY3000
C6	One-touch fitting for ø6	SY3000
C4	One-touch fitting for ø4	SY5000
C6	One-touch fitting for ø6	SY5000
C8	One-touch fitting for ø8	SY5000
C8	One-touch fitting for ø8	SY7000
C10	One-touch fitting for ø10	SY7000

One-touch fitting (Inch size)

Symbol	Port size	Applicable series
N3	One-touch fitting for ø5/32"	SY3000
N7	One-touch fitting for ø1/4"	SY3000
N3	One-touch fitting for ø5/32"	SY5000
N7	One-touch fitting for ø1/4"	SY5000
N9	One-touch fitting for ø5/16"	SY5000
N9	One-touch fitting for ø5/16"	SY7000
N11	One-touch fitting for ø3/8"	SY7000

Manual override



Light/surge voltage suppressor

Electrical entry for G, H, L, M, W

Nil	Without light/surge voltage suppressor
S	With light/surge voltage suppressor
Z	With light/surge voltage suppressor
R	With surge voltage suppressor (Non-polar type)
U	With light/surge voltage suppressor (Non-polar type)

Electrical entry for D, Y (SY500/7000 only)

Nil	Without light/surge voltage suppressor
S	With surge voltage suppressor (Non-polar type)
Z	With light/surge voltage suppressor (Non-polar type)

* For AC voltage valves there is no "S" option. It is already built-in to the rectifier circuit.
* Power saving circuit is only available in the "Z" type.

* DOZ and YOZ are not available.
* For AC voltage valves there is no "S" option. It is already built-in to the rectifier circuit.


Electrical entry

24, 12, 6, 5, 3 VDC/100, 110, 200, 220 VAC				24, 12 VDC/100, 110, 200, 220 VAC	24, 12, 6, 5, 3 VDC
Grommet	L plug connector	M plug connector	MN: Without lead wire	DIN terminal (SY5000, 7000) D, Y: With connector	M8 connector
G: Lead wire length 300 mm 	L: With lead wire (Length 300 mm) 	M: With lead wire (Length 300 mm) 	MN: Without lead wire 	DO, YO: Connector 	WO: Without connector cable
H: Lead wire length 600 mm 	LN: Without lead wire 	LO: Without connector 	MO: Without connector 		W□: With connector cable (Note)

* LN, MN type: with 2 sockets.
* "Y" type is a DIN terminal conforming to EN-175301-803C (former DIN43650C). For details, refer to page 336.
* For connector cable of M8 connector, refer to page 339.
* M8 connector conforming to IEC60947-5-2 standard is also available. Refer to page 331 for details.
* Refer to page 336 for the lead wire length of L and M plug connectors.
* Refer to page 337 for the connector assembly with cover for L and M plug connectors.
Note) Enter the cable length symbols in □. Please be sure to fill in the blank referring to page 340.

Specifications

Series		SY3000	SY5000	SY7000
Fluid		Air		
Internal pilot Operating pressure range (MPa)	2 position single	0.15 to 0.7		
	2 position double	0.1 to 0.7		
	3 position	0.2 to 0.7		
Ambient and fluid temperature (°C)		Max. 50		
Max. operating frequency (Hz)	2 position double	10	5	5
	3 position	3	3	3
Manual override (Manual operation)		Non-locking push type, Push-turn locking slotted type, Push-turn locking lever type		
Pilot exhaust method		Common exhaust type for main and pilot valve		
Lubrication		Not required		
Mounting position		Unrestricted		
Impact/Vibration resistance ^{Note)}		150/30		
Enclosure		Dust proof (* DIN terminal, M8 connector: IP65)		


 Note) Impact resistance: No malfunction occurred when it is tested in the axial direction and at the right angles to the main valve and armature in both energized and de-energized states every once for each condition.

Vibration resistance: No malfunction occurred in a one-sweep test between 45 and 2000 Hz.
Test was performed at both energized and de-energized states in the axial direction and at the right angles to the main valve and armature. (Values in the initial stage)

* Based on IEC60529

Solenoid Specifications

Electrical entry		Grommet (G), (H) L plug connector (L) M plug connector (M) DIN terminal (D), (Y) M8 connector (W)	
		G, H, L, M, W	D, Y
Coil rated voltage (V)	DC	24, 12, 6, 5, 3	
	AC ^{50/60} Hz	100, 110, 200, 220	
Allowable voltage fluctuation		±10% of rated voltage *	
Power consumption (W)	DC	Standard	0.35 [With indicator light: 0.4 (DIN terminal with indicator light: 0.45)]
		With power saving circuit	0.1 (With indicator light only)
Apparent power (VA) *	AC	100 V	0.78 (With indicator light: 0.81) 0.78 (With indicator light: 0.87)
		110 V [115 V]	0.86 (With indicator light: 0.89) 0.86 (With indicator light: 0.97) [0.94 (With indicator light: 0.97)] [0.94 (With indicator light: 1.07)]
		200 V	1.18 (With indicator light: 1.22) 1.15 (With indicator light: 1.30)
		220 V [230 V]	1.30 (With indicator light: 1.34) 1.27 (With indicator light: 1.46) [1.42 (With indicator light: 1.46)] [1.39 (With indicator light: 1.60)]
Surge voltage suppressor		Diode (Varistor is for DIN terminal and non-polar)	
Indicator light		LED (AC of DIN connector is neon light.)	

 * In common between 110 VAC and 115 VAC, and between 220 VAC and 230 VAC.


* For 115 VAC and 230 VAC, the allowable voltage is -15% to +5% of rated voltage.

* S, Z and T type (with power saving circuit) should be used within the following allowable voltage fluctuation range due to a voltage drop caused by the internal circuit.

S and Z type: 24 VDC: -7% to +10%
12 VDC: -4% to +10%

T type: 24 VDC: -8% to +10%
12 VDC: -6% to +10%

Response Time

 Note) Based on dynamic performance test, JIS B 8375-1981. (Coil temperature: 20°C, at rated voltage)

SY3000

Type of actuation	Response time (ms) (at the pressure of 0.5 MPa)		
	Without surge voltage suppressor	With surge voltage suppressor	
		S, Z type	R, U type
2 position single	12 or less	15 or less	12 or less
2 position double	10 or less	13 or less	10 or less
3 position	15 or less	20 or less	16 or less

SY5000

Type of actuation	Response time (ms) (at the pressure of 0.5 MPa)		
	Without surge voltage suppressor	With surge voltage suppressor	
		S, Z type	R, U type
2 position single	19 or less	26 or less	19 or less
2 position double	18 or less	22 or less	18 or less
3 position	32 or less	38 or less	32 or less

SY7000

Type of actuation	Response time (ms) (at the pressure of 0.5 MPa)		
	Without light/surge voltage suppressor	With light/surge voltage suppressor	
		S, Z type	R, U type
2 position single	31 or less	38 or less	33 or less
2 position double	27 or less	30 or less	28 or less
3 position	50 or less	56 or less	50 or less

SJ

SY

SV

SYJ

SZ

VP4

S0700

VQ

VQ4

VQ5

VQC

VQZ

SQ

VFS


VFR

VQ7

Mass

Series SY3000

Valve model	Type of actuation		Port size	Mass (g)		
			A, B	Gro-mmet	L/M plug connector	M8 Connector
SY3□60-□-M5	2 position	Single	M5 x 0.8	49	51	55
		Double		70	73	81
	3 position	Closed center		73	76	84
		Exhaust center				
		Pressure center				
SY3□60-□-C4	2 position	Single	C4 (One-touch fitting for ø4)	62	61	65
		Double		80	83	91
	3 position	Closed center		82	86	94
		Exhaust center				
		Pressure center				
SY3□60-□-C6	2 position	Single	C6 (One-touch fitting for ø6)	55	57	61
		Double		76	79	87
	3 position	Closed center		78	82	90
		Exhaust center				
		Pressure center				

 Note) []: denotes normal position.

Series SY7000

Valve model	Type of actuation		Port size	Mass (g)			
			A, B	Gro-mmet	L/M plug connector	DIN terminal	M8 Connector
SY7□60-□-02	2 position	Single	1/4	103	105	126	109
		Double		125	128	170	136
	3 position	Closed center		133	136	178	144
		Exhaust center					
		Pressure center					
SY7□60-□-C8	2 position	Single	C8 (One-touch fitting for ø8)	138	139	160	143
		Double		160	163	205	171
	3 position	Closed center		168	171	213	179
		Exhaust center					
		Pressure center					
SY7□60-□-C10	2 position	Single	C10 (One-touch fitting for ø10)	123	125	146	129
		Double		145	149	191	157
	3 position	Closed center		153	157	199	165
		Exhaust center					
		Pressure center					

Series SY5000

Valve model	Type of actuation		Port size	Mass (g)			
			A, B	Gro-mmet	L/M plug connector	DIN terminal	M8 Connector
SY5□60-□-01	2 position	Single	1/8	67	69	90	71
		Double		91	94	136	102
	3 position	Closed center		97	100	142	108
		Exhaust center					
		Pressure center					
SY5□60-□-C4	2 position	Single	C4 (One-touch fitting for ø4)	91	93	114	97
		Double		113	116	158	124
	3 position	Closed center		119	122	164	130
		Exhaust center					
		Pressure center					
SY5□60-□-C6	2 position	Single	C6 (One-touch fitting for ø6)	86	88	109	92
		Double		108	111	153	119
	3 position	Closed center		114	117	159	125
		Exhaust center					
		Pressure center					
SY5□60-□-C8	2 position	Single	C8 (One-touch fitting for ø8)	78	80	101	84
		Double		100	103	145	111
	3 position	Closed center		106	109	151	117
		Exhaust center					
		Pressure center					

How to Order Pilot Valve Assembly

V111 - 5 G

Coil specifications

Nil	Standard
T	With power saving circuit (24 VDC, 12 VDC only)

* Power saving circuit is not available in the case of D, DO or W type.

Rated voltage

5	24 VDC
6	12 VDC
V	6 VDC
S	5 VDC
R	3 VDC
1	100 VAC $50/60$ Hz
2	200 VAC $50/60$ Hz
3	110 VAC $50/60$ Hz [115 VAC $50/60$ Hz]
4	220 VAC $50/60$ Hz [230 VAC $50/60$ Hz]

* For type W , DC voltage is only available.
* CE-compliant: For DC only.

Light/surge voltage suppressor

Nil	Without light/surge voltage suppressor
S	With surge voltage suppressor
Z	With light/surge voltage suppressor
R	With surge voltage suppressor (Non-polar type)
U	With light/surge voltage suppressor (Non-polar type)

* For AC voltage valves there is no "S" option. It is already built-in to the rectifier circuit.
* For "R" and "U", DC voltage is only available.
* Power saving circuit is only available in the "Z" type.

Electrical entry

G	Grommet, 300 mm lead wire	
H	Grommet, 600 mm lead wire	
L	L plug connector	With lead wire
LN		Without lead wire
LO		Without connector
M	M plug connector	With lead wire
MN		Without lead wire
MO		Without connector
WO	M8 connector	Without connector cable
W <input type="checkbox"/>		With connector cable ^{Note 1)}

* For connector cable of M8 connector, refer to page 339.
Note 1) Enter the cable length symbols in . Please be sure to fill in the blank referring to page 340.

DIN terminal type

V115 - 5 D

Rated voltage

5	24 VDC
6	12 VDC
1	100 VAC $50/60$ Hz
2	200 VAC $50/60$ Hz
3	110 VAC $50/60$ Hz [115 VAC $50/60$ Hz]
4	220 VAC $50/60$ Hz [230 VAC $50/60$ Hz]

* DC specifications of Type D, Y, DO and YO is only available with 12 and 24 VDC.

Light/surge voltage suppressor

Nil	Without light/surge voltage suppressor
S	With surge voltage suppressor (Non-polar type)
Z	With light/surge voltage suppressor (Non-polar type)

* DOZ and YOZ are not available.
* For AC voltage valves there is no "S" option. It is already built-in to the rectifier circuit.

Electrical entry

D	DIN terminal	With connector
DO	(Type D)	Without connector
Y	DIN terminal	With connector
YO	(Type Y)	Without connector

Note) Do not replace V111 (G, H, L, M) to V115 (DIN terminal) and vice versa when replacing pilot valve assembly only.

Note) Since V111 and V115 are CE-compliant as standard, the suffix "-Q" is not necessary.

SJ

SY

SV

SYJ

SZ

VP4

S0700

VQ

VQ4

VQ5

VQC

VQZ

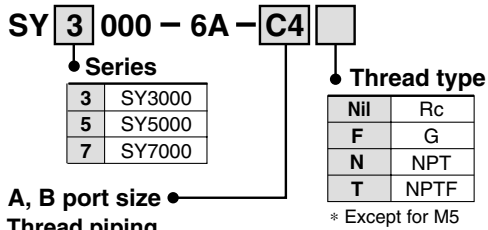
SQ

VFS

VFR

VQ7

How to Order Port Block Assembly



A, B port size ●

Thread piping

Symbol	Port size	Applicable series
M5	M5 x 0.8	SY3000
01	1/8	SY5000
02	1/4	SY7000

One-touch fitting (Metric size)

Symbol	Port size	Applicable series
C4	One-touch fitting for ø4	SY3000
C6	One-touch fitting for ø6	
C4	One-touch fitting for ø4	SY5000
C6	One-touch fitting for ø6	
C8	One-touch fitting for ø8	SY7000
C8	One-touch fitting for ø8	
C10	One-touch fitting for ø10	

One-touch fitting (Inch size)

Symbol	Port size	Applicable series
N3	One-touch fitting for ø5/32"	SY3000
N7	One-touch fitting for ø1/4"	
N3	One-touch fitting for ø5/32"	SY5000
N7	One-touch fitting for ø1/4"	
N9	One-touch fitting for ø5/16"	SY7000
N9	One-touch fitting for ø5/16"	
N11	One-touch fitting for ø3/8"	

How to Change Port Block Assembly

Connecting port size of A and B can be changed by replacing port block assembly mounted on body. When changing block assembly, correct screw torque must be achieved to avoid trouble; e.g. air leakage.

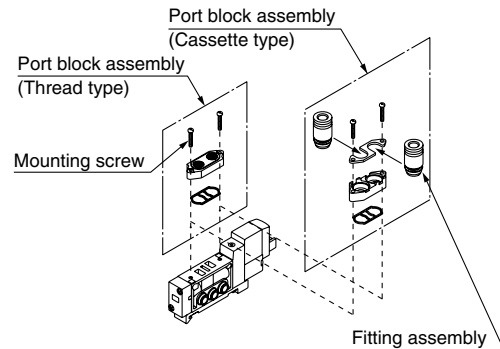
With the one-touch fitting port block assembly, it is only necessary to change the fitting and not the whole block. Refer to following part numbers.

One-touch fitting (Metric size)

Port size	Fitting assembly part no.	Applicable series
One-touch fitting for ø4	VVQ1000-50A-C4	SY3000
One-touch fitting for ø6	VVQ1000-50A-C6	
One-touch fitting for ø4	VVQ1000-51A-C4	SY5000
One-touch fitting for ø6	VVQ1000-51A-C6	
One-touch fitting for ø8	VVQ1000-51A-C8	SY7000
One-touch fitting for ø8	VVQ2000-51A-C8	
One-touch fitting for ø10	VVQ2000-51A-C10	

One-touch fitting (Inch size)

Port size	Fitting assembly part no.	Applicable series
One-touch fitting for ø5/32"	VVQ1000-50A-N3	SY3000
One-touch fitting for ø1/4"	VVQ1000-50A-N7	
One-touch fitting for ø5/32"	VVQ1000-51A-N3	SY5000
One-touch fitting for ø1/4"	VVQ1000-51A-N7	
One-touch fitting for ø5/16"	VVQ1000-51A-N9	SY7000
One-touch fitting for ø1/4"	VVQ2000-51A-N9	
One-touch fitting for ø3/8"	VVQ2000-51A-N11	



⚠ Caution

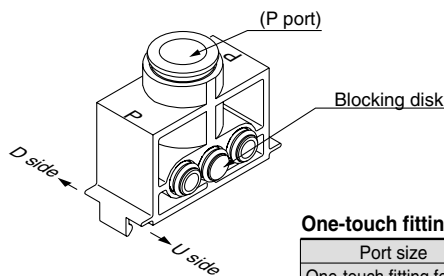
Torque for mounting screws

SY3000(M2): 0.12 N·m
 SY5000, 7000 (M3): 0.6 N·m

* Refer to "How to Change Port Block Assembly" for part numbers.

Manifold Option

Individual SUP block assembly



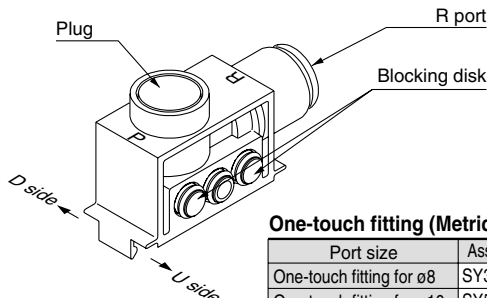
One-touch fitting (Metric size)

Port size	Assembly part no.	Applicable series
One-touch fitting for ø6	SY3000-54-2C(-Q)	SY3000
One-touch fitting for ø8	SY3000-54-1C(-Q)	
One-touch fitting for ø10	SY5000-54-1C(-Q)	SY5000
One-touch fitting for ø12	SY7000-54-1C(-Q)	SY7000

One-touch fitting (Inch size)

Port size	Assembly part no.	Applicable series
One-touch fitting for ø5/16"	SY3000-54-3C(-Q)	SY3000
One-touch fitting for ø3/8"	SY5000-54-2C(-Q)	SY5000
One-touch fitting for ø3/8"	SY7000-54-3C(-Q)	SY7000

Individual EXH block assembly



One-touch fitting (Metric size)

Port size	Assembly part no.	Applicable series
One-touch fitting for ø8	SY3000-55-1B(-Q)	SY3000
One-touch fitting for ø10	SY5000-55-1B(-Q)	SY5000
One-touch fitting for ø12	SY7000-55-1B(-Q)	SY7000

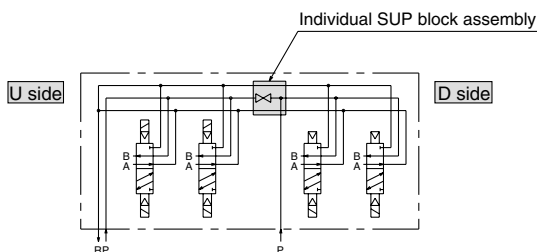
One-touch fitting (Inch size)

Port size	Assembly part no.	Applicable series
One-touch fitting for ø5/16"	SY3000-55-2B(-Q)	SY3000
One-touch fitting for ø3/8"	SY5000-55-2B(-Q)	SY5000
One-touch fitting for ø3/8"	SY7000-55-3B(-Q)	SY7000

[When supplying the manifold with 2 different supply pressures.]

Specify arrangement of individual SUP block assembly on the manifold specification sheet. (When using SS5Y□-60-□□D, blocking disk is assembled on

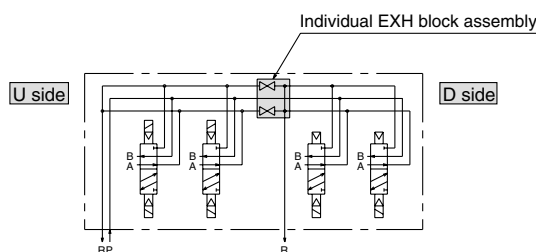
<Manifold model no.: SS5Y³-60-□□D>



[When 2 different EXH passages are required.]

Specify arrangement of individual EXH block assembly on the manifold specification sheet. (When using SS5Y□-60-□□D, blocking disk is assembled on D side.)

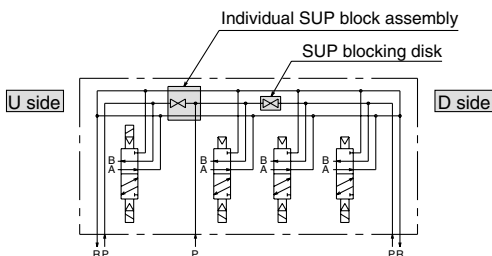
<Manifold model no.: SS5Y³-60-□□D>



[When a different supply pressure is required for only a middle valve.]

Specify arrangement of individual SUP block assembly and SUP blocking disk on the manifold specification sheet.

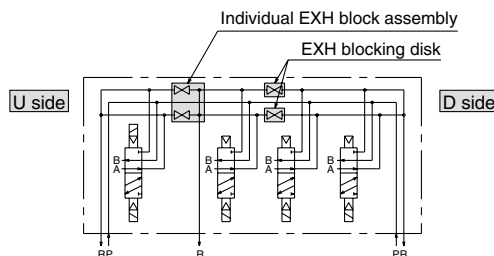
(Applicable manifold model no.: SS5Y□-60-□□B)



[When a separate exhaust passage is needed on only a middle valve.]

Specify arrangement of individual EXH block assembly and EXH blocking disk on the manifold specification sheet.

(Applicable manifold model no.: SS5Y□-60-□□B)

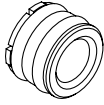


- SJ
- SY
- SV
- SYJ
- SZ
- VP4
- S0700
- VQ
- VQ4
- VQ5
- VQC
- VQZ
- SQ
- VFS
- VFR
- VQ7

Manifold Option

■ SUP blocking disk

By installing a SUP blocking disk in the pressure supply passage of a manifold valve, it is possible to supply two or more different high and low pressures to one manifold. (This is the same block disk used with the individual SUP block assembly.)



Series	Part no.
SY3000	SY3000-52-6A
SY5000	SY5000-52-4A
SY7000	SY7000-70-2A

■ EXH blocking disk

By installing an EXH blocking disk in the exhaust passage of a manifold valve, it is possible to divide the valve's exhaust so that it does not affect another valve. (Two blocking disks are needed to separate both EXH passages. It is the same block disk that is used in the individual EXH block assembly.)



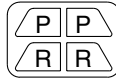
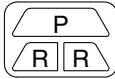
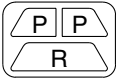
Series	Part no.
SY3000	SY3000-52-6A
SY5000	SY5000-52-4A
SY7000	SY7000-70-2A

■ Label for block disk

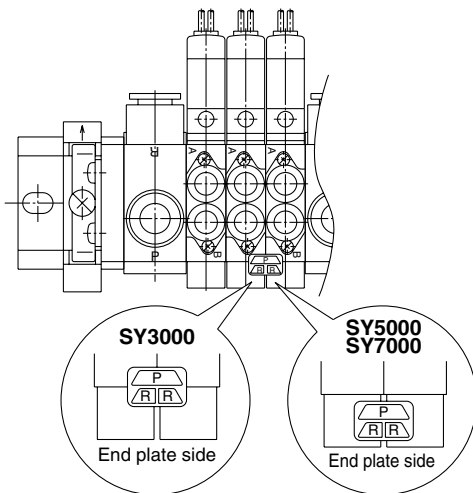
The labels shown below are used on manifold stations containing SUP/EXH blocking disk(s) to show their location. (3 pcs. each)

VZ3000-123-1A

Label for SUP block disk Label for EXH block disk Label for SUP/EXH block disk

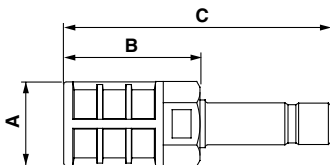


* When a block disk is concurrently ordered by specifying on the manifold specification sheet, etc., a label will be stuck on the position where block disk is mounted.



■ Silencer with One-touch fitting

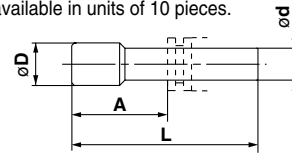
The silencer plugs directly into the One-touch fittings of the manifold.



Series	Model	Effective area	A	B	C
SY3000 (for $\phi 8$)	AN203-KM8	14 mm ²	$\phi 16$	26	51
SY5000 (for $\phi 10$)	AN200-KM10	26 mm ²	$\phi 22$	54	80.8
	AN300-KM10	30 mm ²	$\phi 25$	70	97
SY7000 (for $\phi 12$)	AN300-KM12	41 mm ²	$\phi 25$	70	98

■ Plug (white)

These are inserted in unused cylinder ports and SUP, EXH ports. Purchasing order is available in units of 10 pieces.



Dimensions

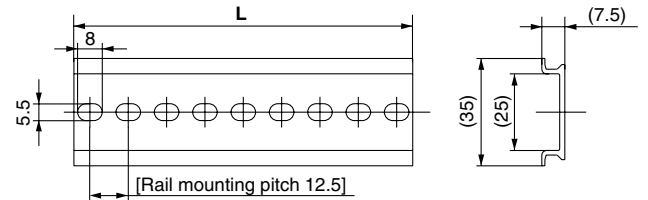
Applicable fittings size ϕd	Model	A	L	D
4	KQ2P-04	16	32	6
6	KQ2P-06	18	35	8
8	KQ2P-08	20.5	39	10
10	KQ2P-10	22	43	12
12	KQ2P-12	24	45.5	14
5/32"	KQ2P-03	16	32	6
1/4"	KQ2P-07	18	35	8.5
5/16"	KQ2P-09	20.5	39	10
3/8"	KQ2P-11	22	43	11.5

■ DIN Rail Dimensions/Mass for SY3000/5000

VZ1000-11-1-□

◆ Refer to the L dimension tables

* Enter a number from the DIN rail dimension table below in them.



No.	0	1	2	3	4	5	6	7	8	9
L dimension	98	110.5	123	135.5	148	160.5	173	185.5	198	210.5
Mass (g)	17.6	19.9	22.1	24.4	26.6	28.9	31.1	33.4	35.6	37.9

No.	10	11	12	13	14	15	16	17	18	19
L dimension	223	235.5	248	260.5	273	285.5	298	310.5	323	335.5
Mass (g)	40.1	42.4	44.6	46.9	49.1	51.4	53.6	55.9	58.1	60.4

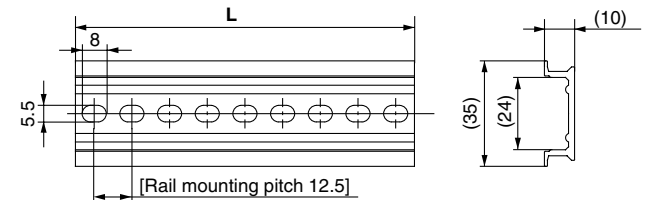
No.	20	21	22	23	24	25	26	27	28	29
L dimension	348	360.5	373	385.5	398	410.5	423	435.5	448	460.5
Mass (g)	62.6	64.9	67.1	69.4	71.6	73.9	76.1	78.4	80.6	82.9

■ DIN Rail Dimensions/Mass for SY7000

VZ1000-11-4-□

◆ Refer to the L dimension tables

* Enter a number from the DIN rail dimension table below in them.



No.	0	1	2	3	4	5	6	7	8	9
L dimension	98	110.5	123	135.5	148	160.5	173	185.5	198	210.5
Mass (g)	24.8	28	31.1	34.3	37.4	40.6	43.8	46.9	50.1	53.3

No.	10	11	12	13	14	15	16	17	18	19
L dimension	223	235.5	248	260.5	273	285.5	298	310.5	323	335.5
Mass (g)	56.4	59.6	62.7	65.9	69.1	72.2	75.4	78.6	81.7	84.9

No.	20	21	22	23	24	25	26	27	28	29
L dimension	348	360.5	373	385.5	398	410.5	423	435.5	448	460.5
Mass (g)	88	91.2	94.4	97.5	100.7	103.9	107	110.2	113.3	116.5

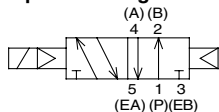
Note) For DIN rail mounting, refer to page 338.

Construction

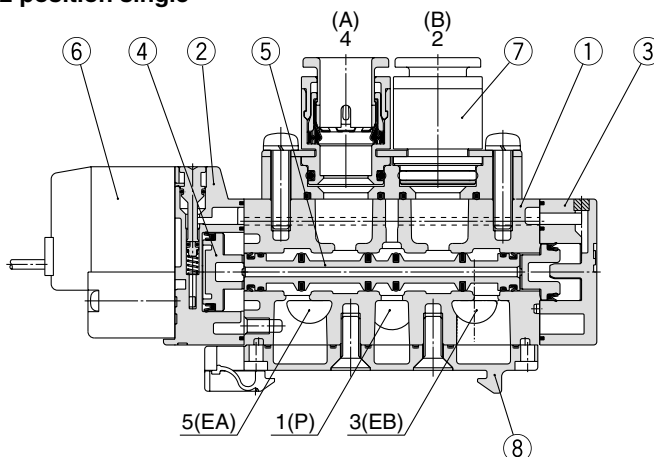
Series SY

JIS Symbol

2 position single

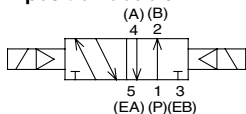


2 position single

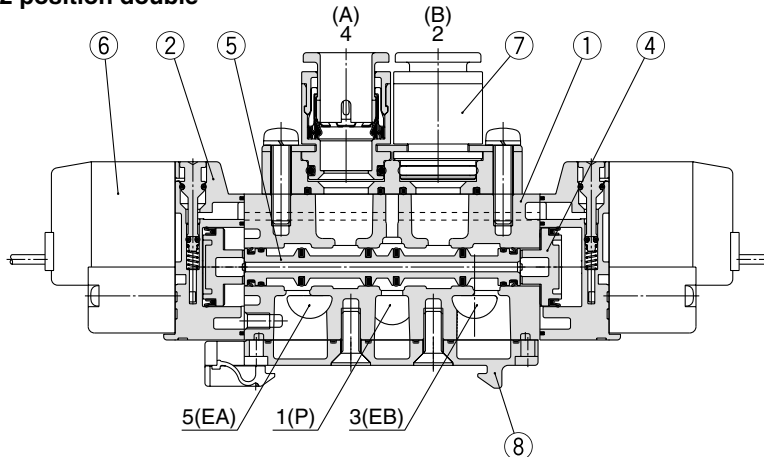


JIS Symbol

2 position double

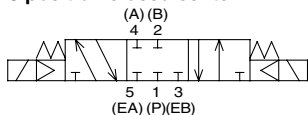


2 position double

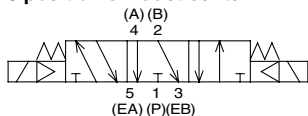


JIS Symbol

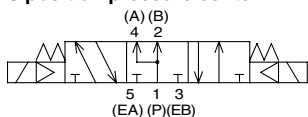
3 position closed center



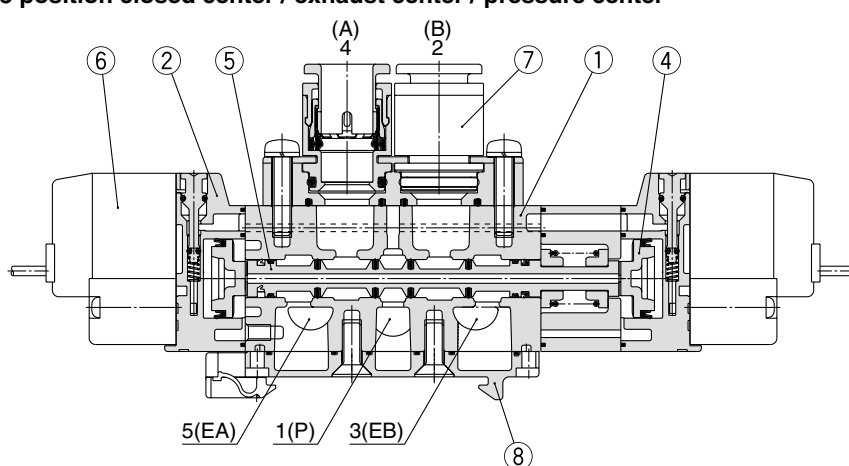
3 position exhaust center



3 position pressure center



3 position closed center / exhaust center / pressure center



(This figure shows a closed center type.)

Component Parts

No.	Description	Material	Note
1	Body	Aluminum die-casted (SY3000: Zinc die-casted)	White
2	Adapter plate	Resin	White
3	End plate	Resin	White
4	Piston	Resin	—
5	Spool valve assembly	Aluminum/H-NBR	—

Replacement Parts

No.	Description	No.
6	Pilot valve assembly	Refer to "How to Order Pilot Valve Assembly" on page 183.
7	Port block assembly	Refer to "How to Order Port Block Assembly" on page 184.
8	Bottom cover assembly ^{Note)}	SY3000-41-2A (with screw, gasket) SY5000-41-2A (with screw, gasket)

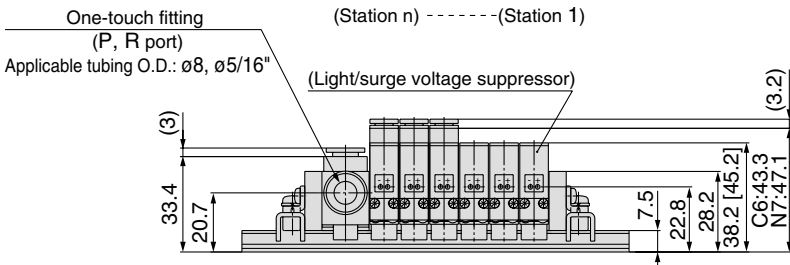
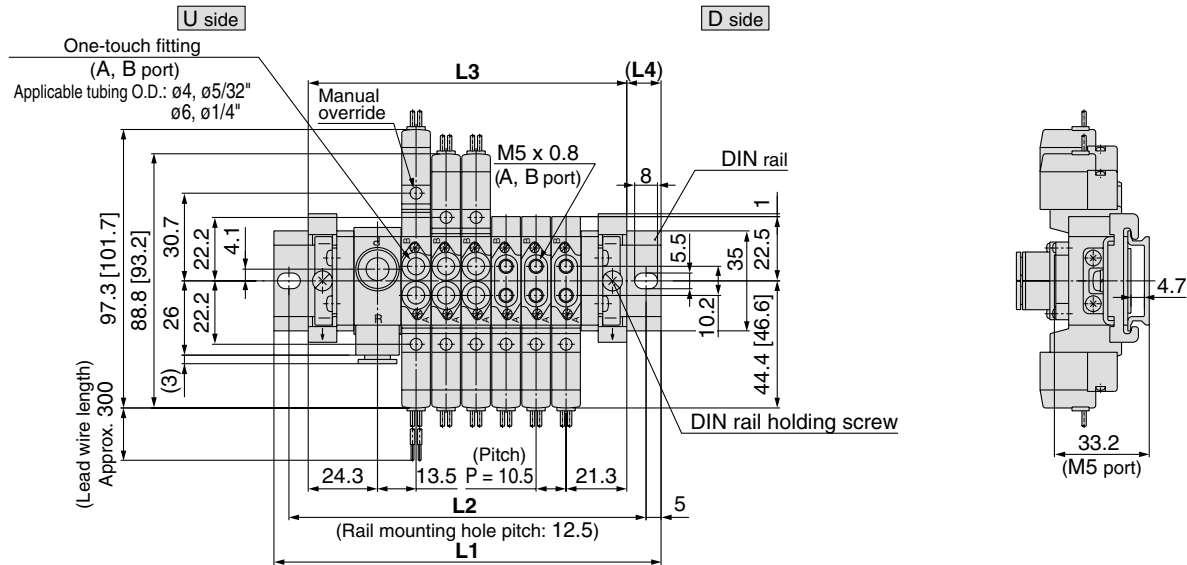
Note) There is no bottom cover assembly available for SY7000.

SJ
SY
SV
SYJ
SZ
VP4
S0700
VQ
VQ4
VQ5
VQC
VQZ
SQ
VFS
VFR
VQ7



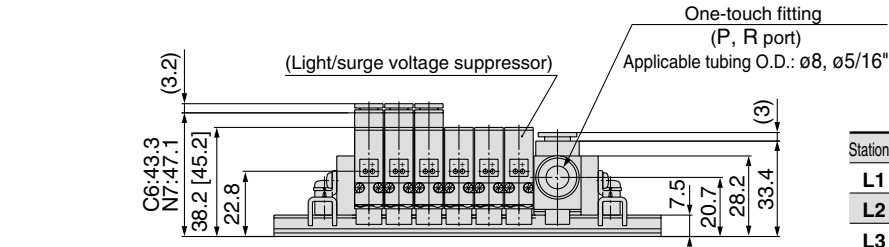
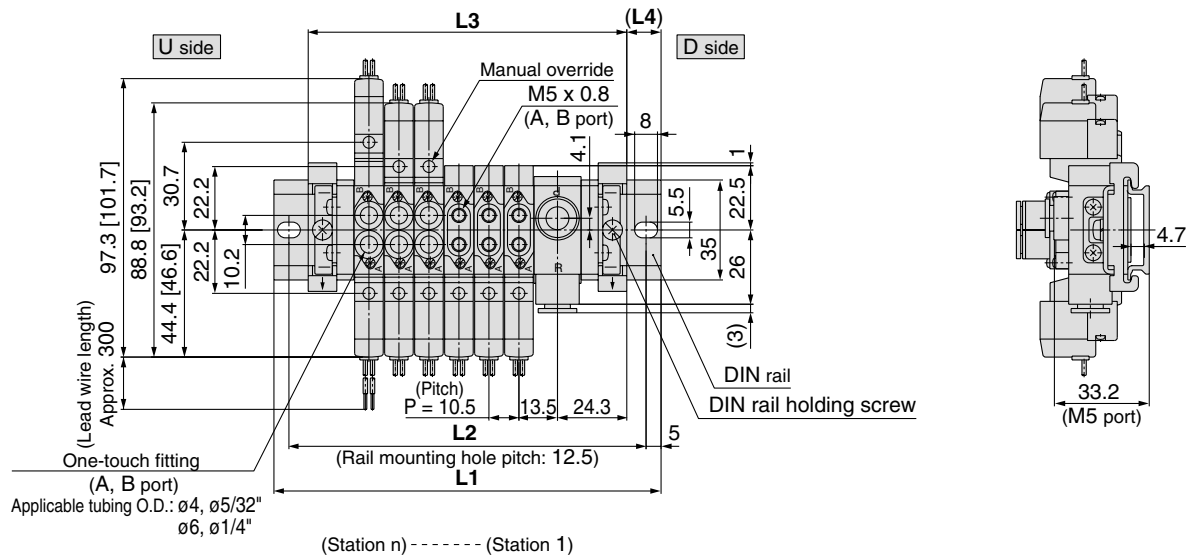
Dimensions

SS5Y3-60- Stations U



Stations	2 stations	3	4	5	6	7	8	9	10 stations
L1	98	110.5	123	135.5	135.5	148	160.5	173	185.5
L2	87.5	100	112.5	125	125	137.5	150	162.5	175
L3	69.5	80	90.5	101	111.5	122	132.5	143	153.5
L4	14	15	16	17	12	13	14	15	16

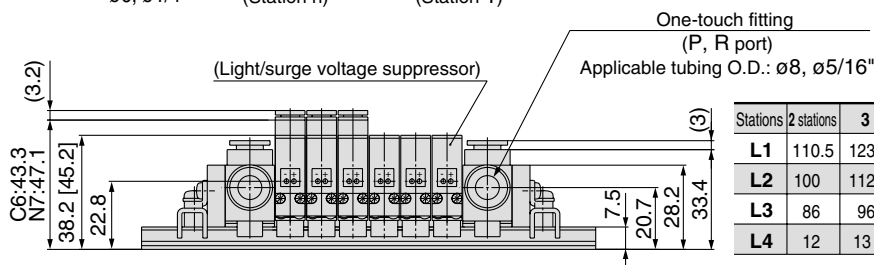
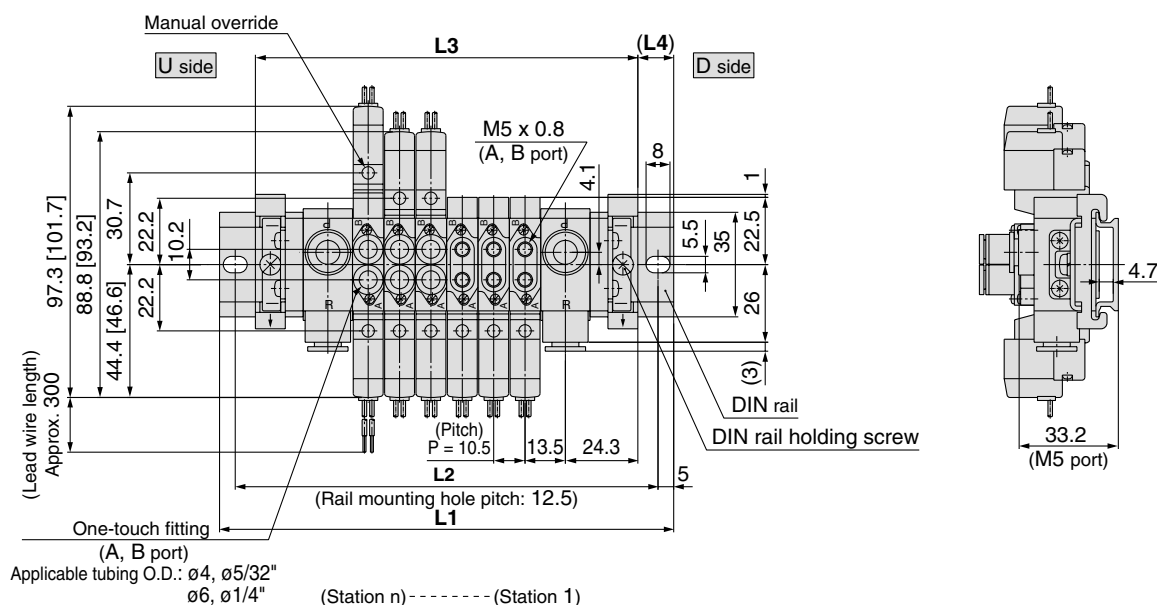
SS5Y3-60- Stations D



Stations	2 stations	3	4	5	6	7	8	9	10 stations
L1	98	110.5	123	135.5	135.5	148	160.5	173	185.5
L2	87.5	100	112.5	125	125	137.5	150	162.5	175
L3	69.5	80	90.5	101	111.5	122	132.5	143	153.5
L4	14	15	16	17	12	13	14	15	16



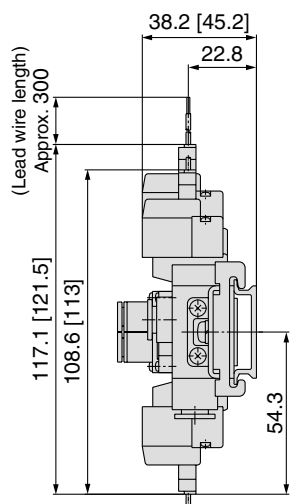
SS5Y3-60- Stations B



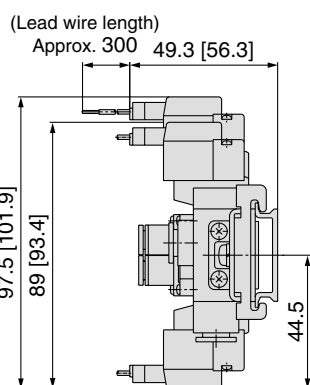
Stations	2 stations	3	4	5	6	7	8	9	10 stations
L1	110.5	123	135.5	148	160.5	173	173	185.5	198
L2	100	112.5	125	137.5	150	162.5	162.5	175	187.5
L3	86	96.5	107	117.5	128	138.5	149	159.5	170
L4	12	13	14	15	16	17	12	13	14

Stations	11 stations	12	13	14	15	16	17	18	19	20 stations
L1	210.5	223	235.5	235.5	248	260.5	273	285.5	298	310.5
L2	200	212.5	225	225	237.5	250	262.5	275	287.5	300
L3	180.5	191	201.5	212	222.5	233	243.5	254	264.5	275
L4	15	16	17	11.5	12.5	13.5	14.5	15.5	16.5	17.5

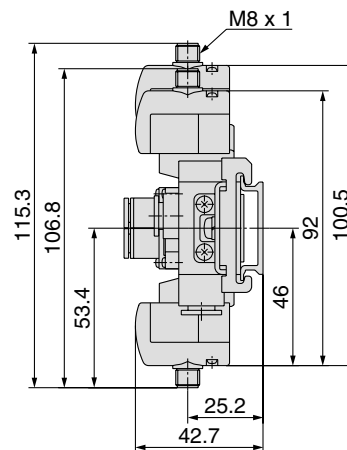
L plug connector (L)



M plug connector (M)



M8 connector (WO)

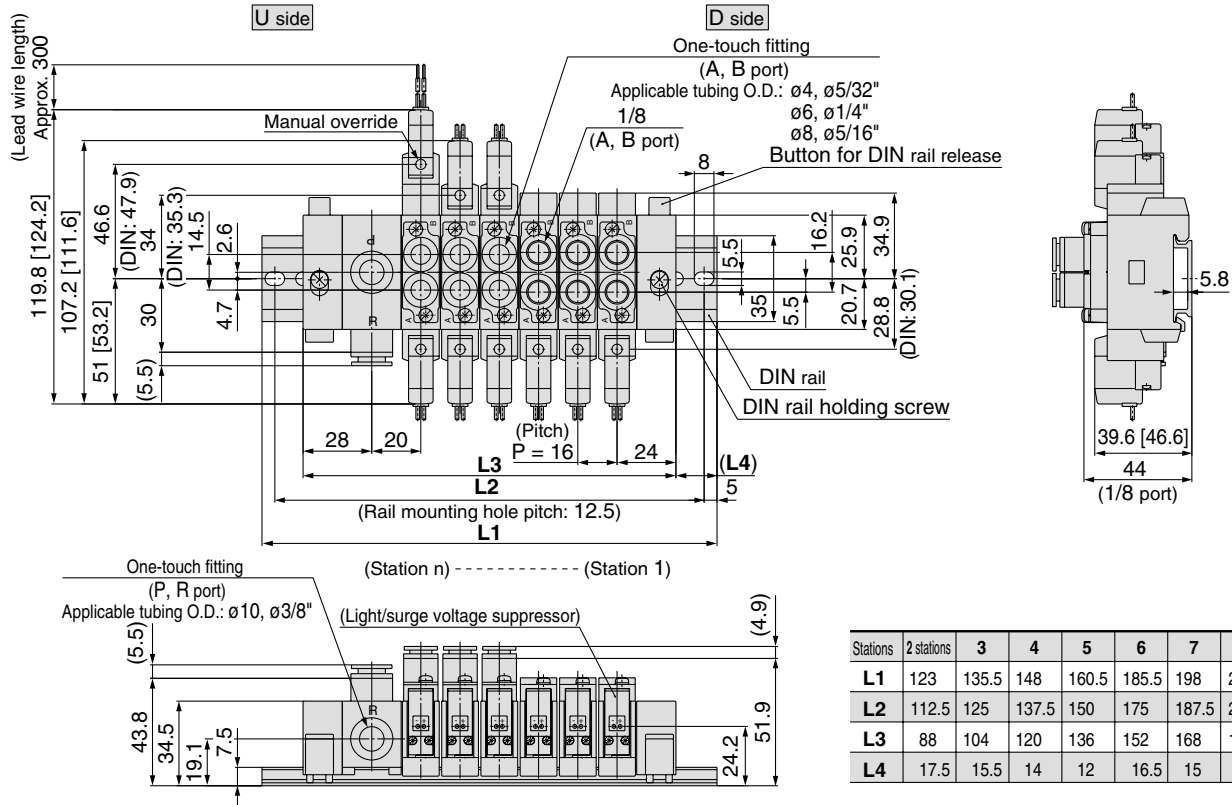


Note) Refer to page 340 for dimensions of connector types.

- SJ
- SY**
- SV
- SYJ
- SZ
- VP4
- S0700
- VQ
- VQ4
- VQ5
- VQC
- VQZ
- SQ
- VFS
- VFR
- VQ7

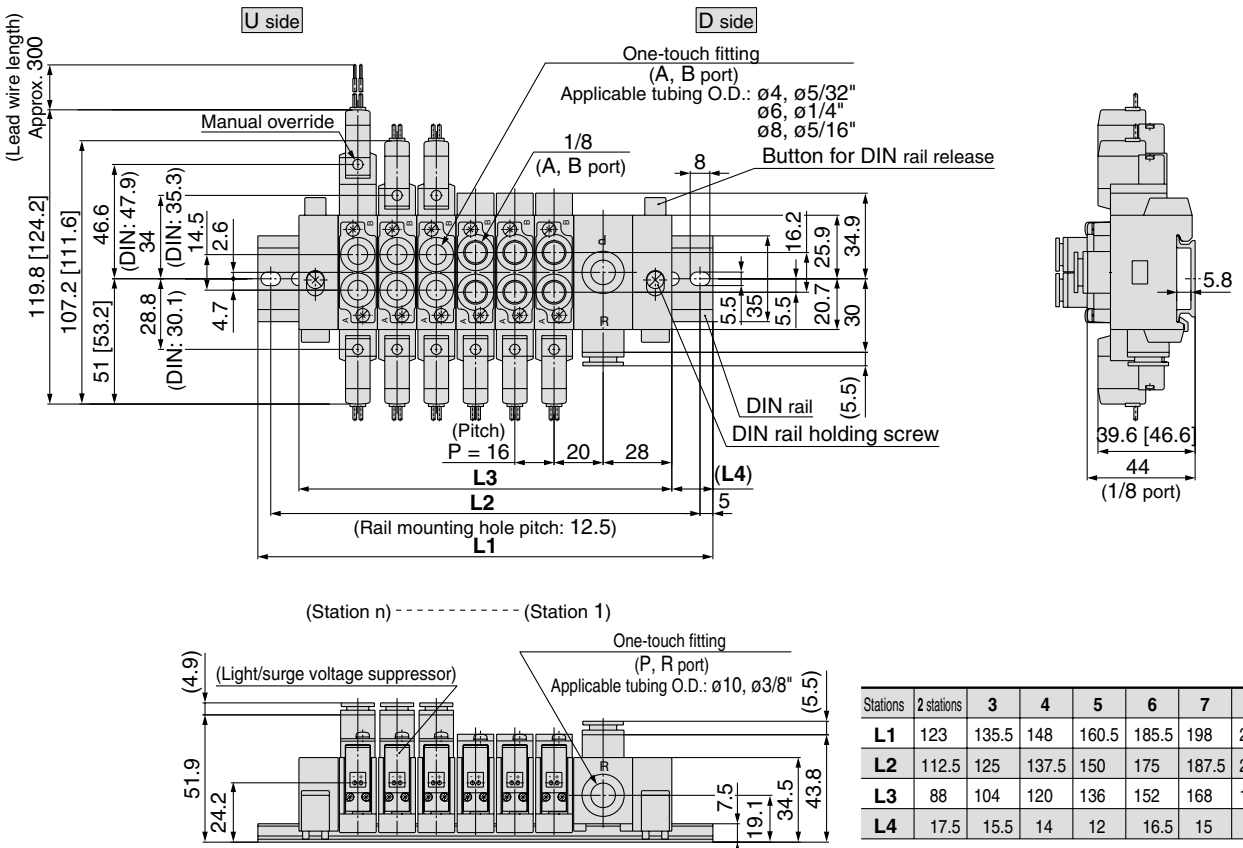
Dimensions

SS5Y5-60-Stations U



Stations	2 stations	3	4	5	6	7	8	9	10 stations
L1	123	135.5	148	160.5	185.5	198	210.5	235.5	248
L2	112.5	125	137.5	150	175	187.5	200	225	237.5
L3	88	104	120	136	152	168	184	200	216
L4	17.5	15.5	14	12	16.5	15	13	17.5	16

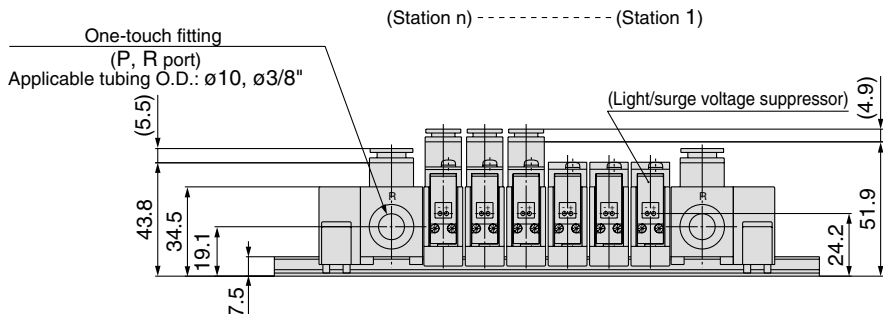
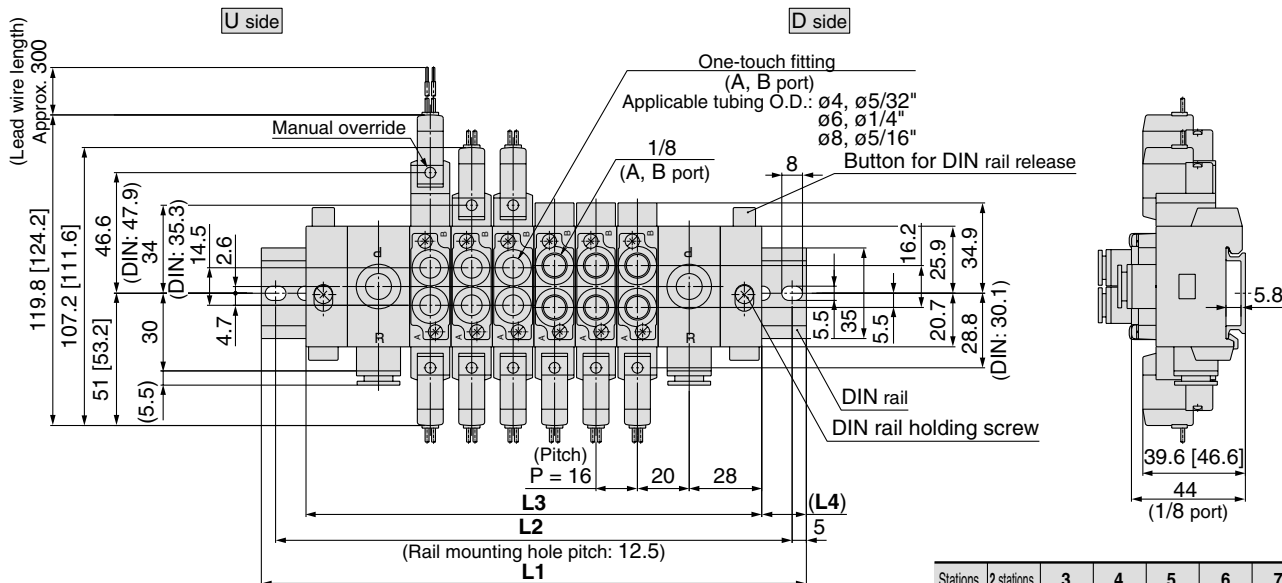
SS5Y5-60-Stations D



Stations	2 stations	3	4	5	6	7	8	9	10 stations
L1	123	135.5	148	160.5	185.5	198	210.5	235.5	248
L2	112.5	125	137.5	150	175	187.5	200	225	237.5
L3	88	104	120	136	152	168	184	200	216
L4	17.5	15.5	14	12	16.5	15	13	17.5	16



SS5Y5-60-Stations B



Stations	2 stations	3	4	5	6	7	8 stations
L1	135.5	160.5	173	185.5	210.5	223	235.5
L2	125	150	162.5	175	200	212.5	225
L3	112	128	144	160	176	192	208
L4	11.5	16	14.5	12.5	17.5	15.5	13.5

Stations	9 stations	10	11	12	13	14	15 stations
L1	248	273	285.5	298	323	335.5	348
L2	237.5	262.5	275	287.5	312.5	325	337.5
L3	224	240	256	272	288	304	320
L4	12	16.5	14.5	13	17.5	15.5	14

Stations	16 stations	17	18	19	20 stations
L1	360.5	385.5	398	410.5	435.5
L2	350	375	387.5	400	425
L3	336	352	368	384	400
L4	12	16.5	15	13	17.5

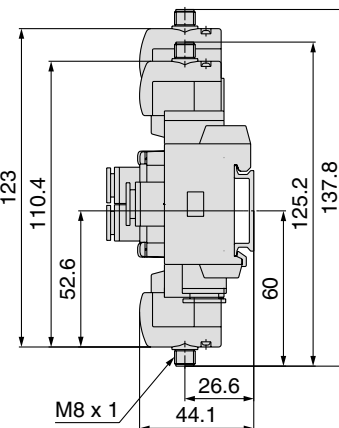
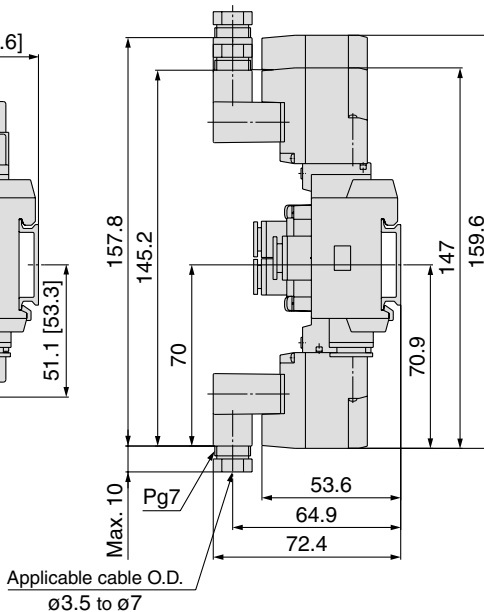
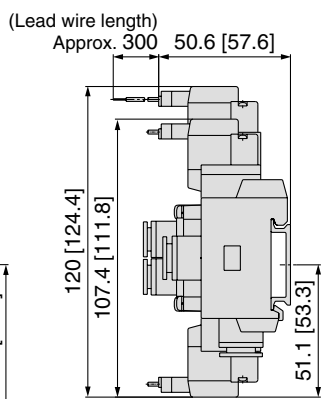
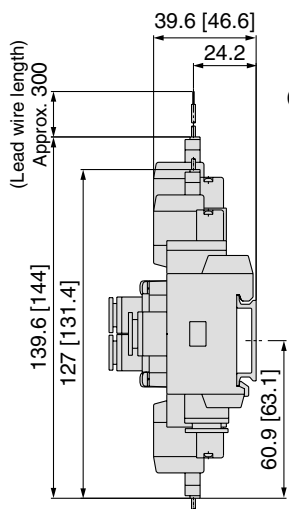
- SJ
- SY**
- SV
- SYJ
- SZ
- VP4
- S0700
- VQ
- VQ4
- VQ5
- VQC
- VQZ
- SQ
- VFS
- VFR
- VQ7

L plug connector (L)

M plug connector (M)

DIN terminal (D, Y)

M8 connector (WO)

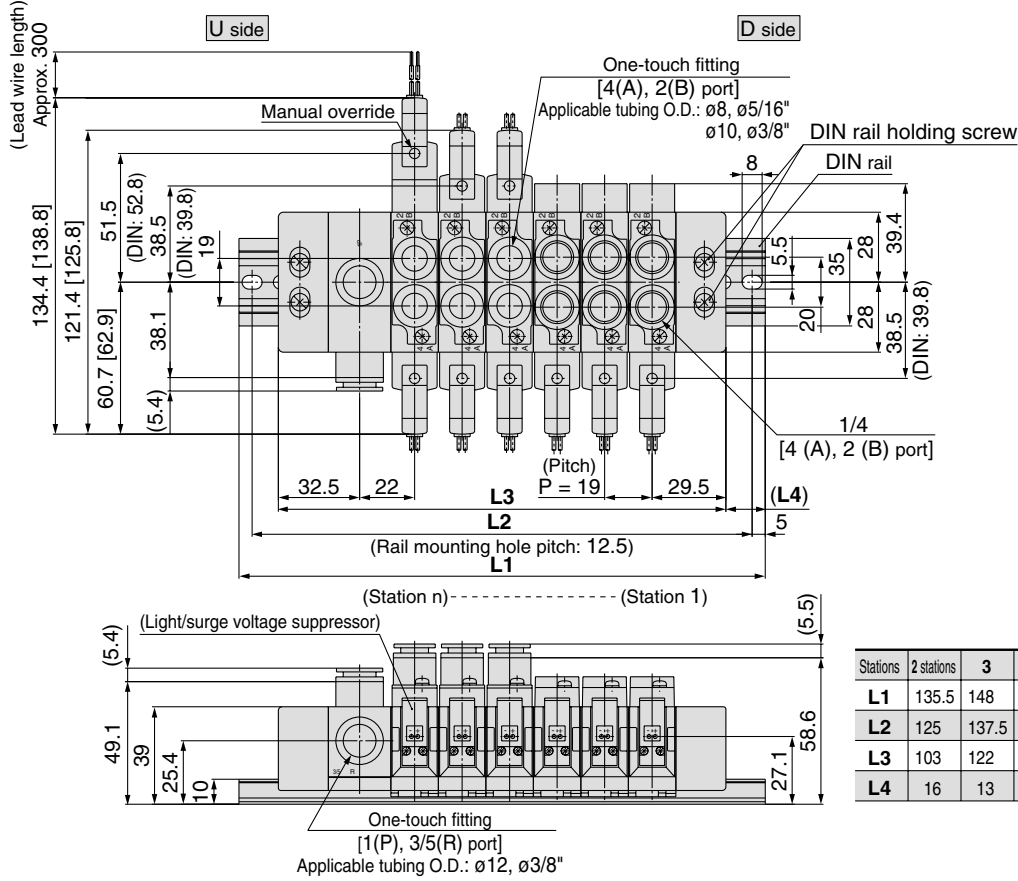


Note) Refer to page 340 for dimensions of connector types.



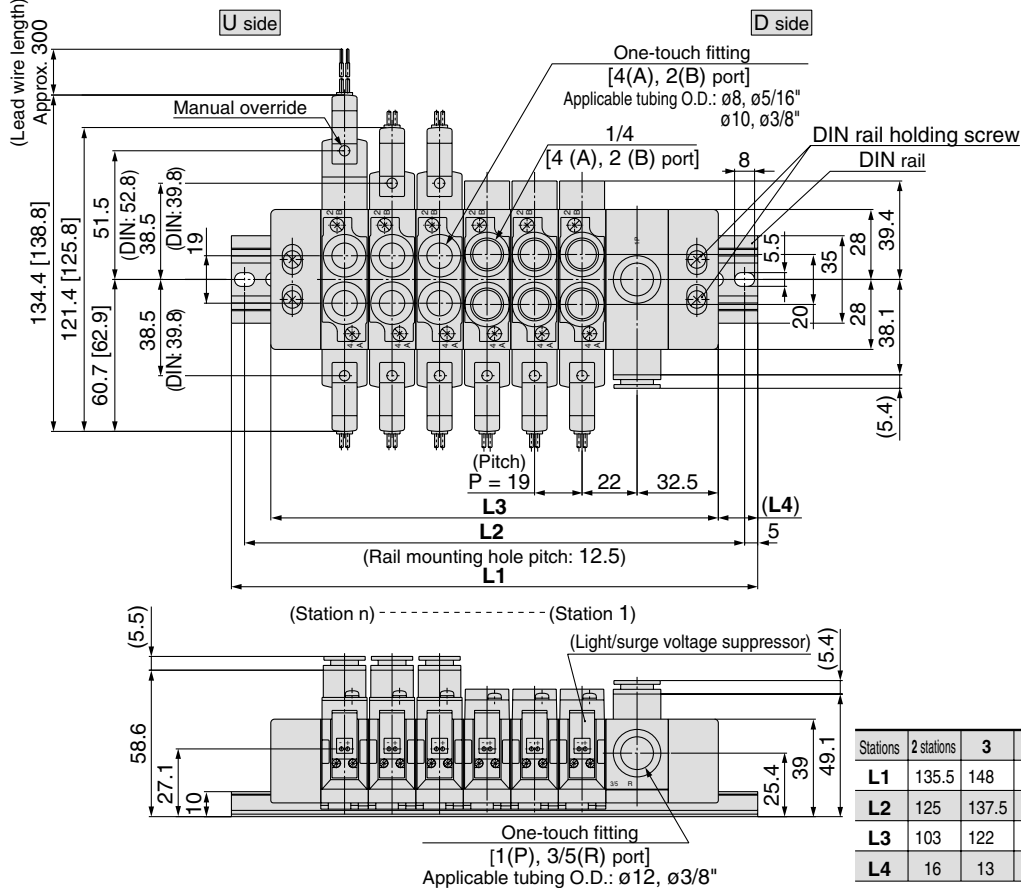
Dimensions

SS5Y7-60-Stations U



Stations	2 stations	3	4	5	6	7	8	9	10 stations
L1	135.5	148	173	185.5	210.5	223	248	260.5	285.5
L2	125	137.5	162.5	175	200	212.5	237.5	250	275
L3	103	122	141	160	179	198	217	236	255
L4	16	13	16	12.5	15.5	12.5	15.5	12	15

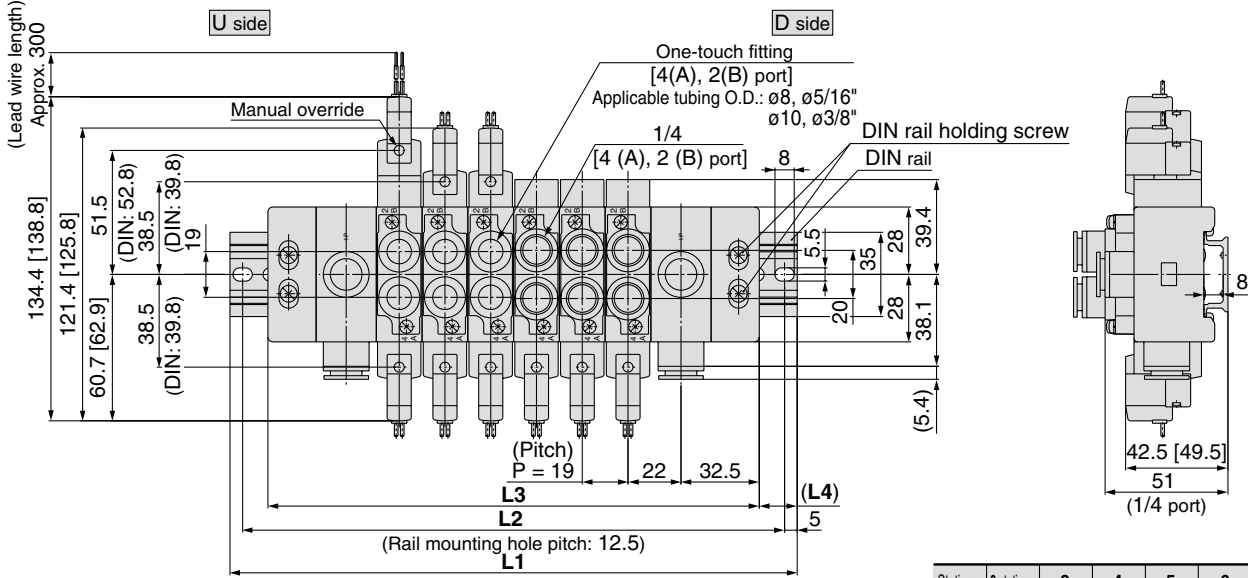
SS5Y7-60-Stations D



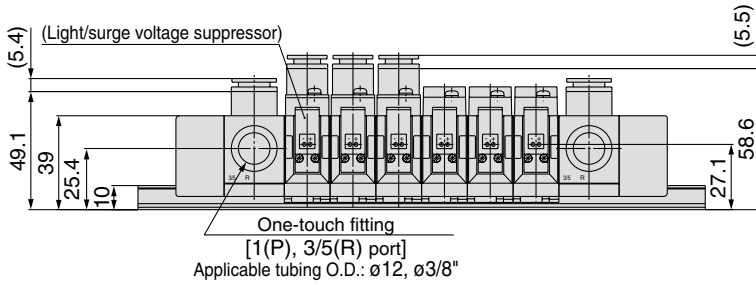
Stations	2 stations	3	4	5	6	7	8	9	10 stations
L1	135.5	148	173	185.5	210.5	223	248	260.5	285.5
L2	125	137.5	162.5	175	200	212.5	237.5	250	275
L3	103	122	141	160	179	198	217	236	255
L4	16	13	16	12.5	15.5	12.5	15.5	12	15



SS5Y7-60- Stations B



(Station n) ----- (Station 1)



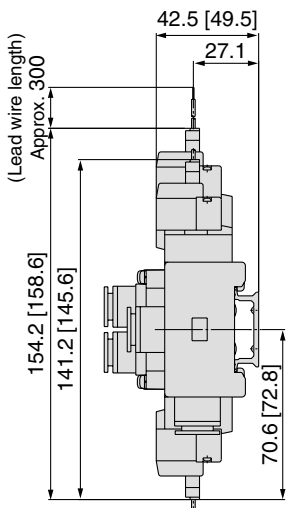
Stations	2 stations	3	4	5	6	7	8 stations
L1	160.5	173	198	210.5	235.5	248	273
L2	150	162.5	187.5	200	225	237.5	262.5
L3	128	147	166	185	204	223	242
L4	16	13	16	12.5	15.5	12.5	15.5

Stations	9 stations	10	11	12	13	14	15 stations
L1	285.5	310.5	323	348	360.5	385.5	410.5
L2	275	300	312.5	337.5	350	375	400
L3	261	280	299	318	337	356	375
L4	12	15	12	15	11.5	14.5	17.5

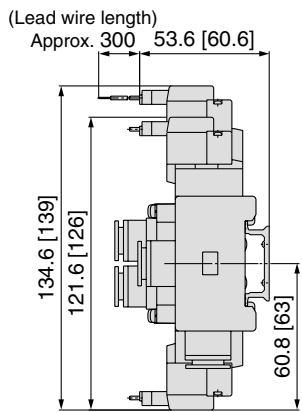
Stations	16 stations	17	18	19	20 stations
L1	423	448	460.5	485.5	498
L2	412.5	437.5	450	475	487.5
L3	394	413	432	451	470
L4	14.5	17.5	14	17	14

- SJ
- SY**
- SV
- SYJ
- SZ
- VP4
- S0700
- VQ
- VQ4
- VQ5
- VQC
- VQZ
- SQ
- VFS
- VFR
- VQ7

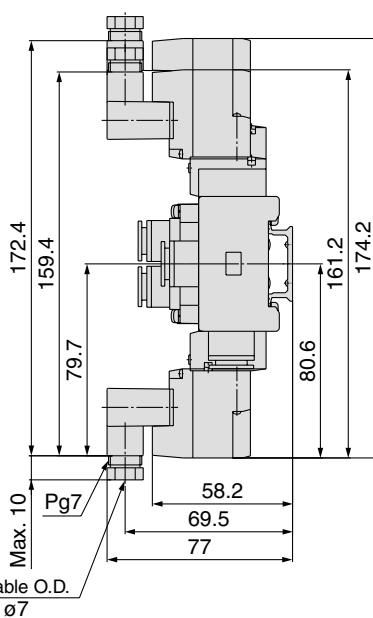
L plug connector (L)



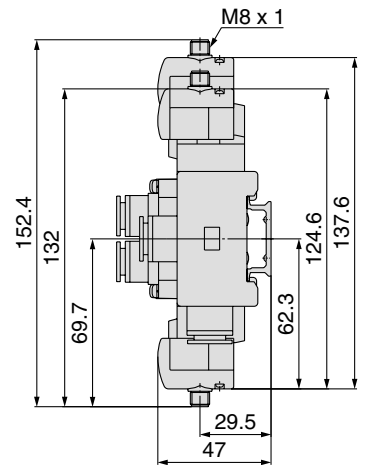
M plug connector (M)



DIN terminal (D, Y)



M8 connector (WO)

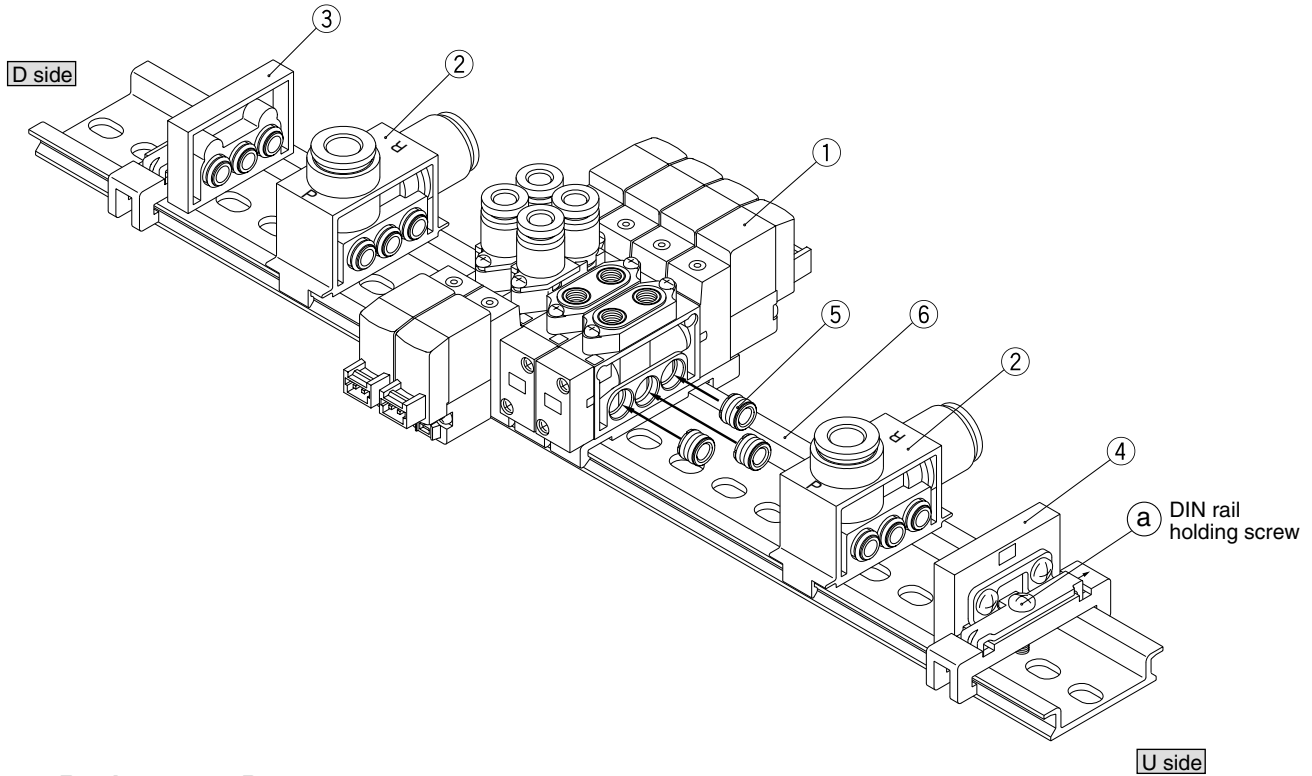


Note) Refer to page 340 for dimensions of connector types.

DIN Rail Manifold Exploded View

SY3000

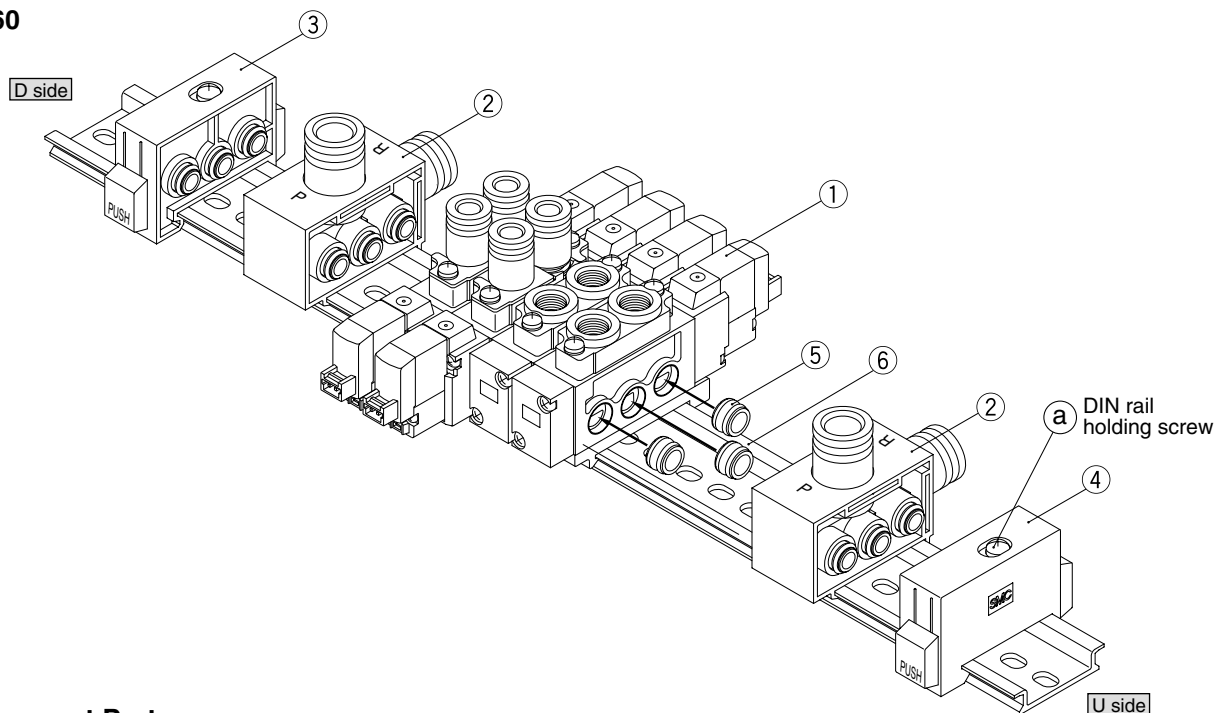
Type 60



Replacement Parts

No.	Description	Part no.	Note
1	Valve	SY3□60-□□-□(-Q)	□ at the end of part number denotes A. B port size: M5, C4, C6, N3, N7. Includes bushing assembly (SY3000-52-5A) 3 pcs.
2	SUP/EXH block assembly	SY3000-55- $\frac{1}{2}$ A(-Q)	P, R port (1: One-touch fitting for $\phi 8$, 2: One-touch fitting for $\phi 5/16''$) Includes bushing assembly (SY3000-52-5A) 3 pcs.
3	End block assembly	SY3000-56-1A(-Q)	For D side (Bushing assembly: Not available for SY3000-52-5A)
4	End block assembly	SY3000-56-1B(-Q)	For U side (Bushing assembly: Not available for SY3000-52-5A)
5	Bushing assembly	SY3000-52-5A	CE-compliant: SY3000-52-1A
6	DIN rail	VZ1000-11-1-□	Refer to page 186.

SY5000
Type 60



Replacement Parts

No.	Description	Part no.	Note
1	Valve	SY5□60-□□-□(-Q)	□ at the end of part number denotes A. B port size: 01, C4, C6, C8, N3, N7, N9. Includes bushing assembly (SY5000-52-3A) 3 pcs.
2	SUP/EXH block assembly	SY5000-55- ¹ ₂ A(-Q)	P, R port (1: One-touch fitting for ø10, 2: One-touch fitting for ø3/8") Includes bushing assembly (SY5000-52-3A) 3 pcs.
3	End block assembly	SY5000-56-1A(-Q)	For D side (Bushing assembly: Not available for SY5000-52-3A)
4	End block assembly	SY5000-56-1B(-Q)	For U side (Bushing assembly: Not available for SY5000-52-3A)
5	Bushing assembly	SY5000-52-3A	
6	DIN rail	VZ1000-11-1-□	Refer to page 186.

How to Add Additional Valves to the DIN Rail

Valves can be added at any station on the rail.

- 1 Loosen the manifold base clamping screw (a).
- 2 Separate the valves at the point where more valves are to be added.
- 3 Mount the additional valves on the DIN rail as shown in Fig. 1
- 4 Connect them together while pressing the block assemblies toward each other, and tighten the holding screw (a) to fix them to the DIN rail.

Caution

Tightening torque

SY3000: 1 N·m

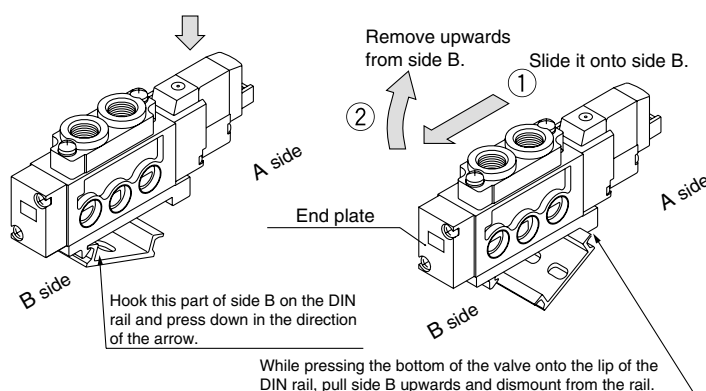
SY5000: 1.4 N·m

(While lightly holding the blocks after fixing an end block on one side, tighten the other end block for better sealing after no gap between valves is confirmed.)

- Bushing assembly must be seated properly to each valve block in order to prevent air leaks from occurring.
- Refer to the fig. 2 when dismantling the valve from the DIN rail.

Fig. 1 Manifold mounting procedure

Fig. 2 Manifold dismantling procedure



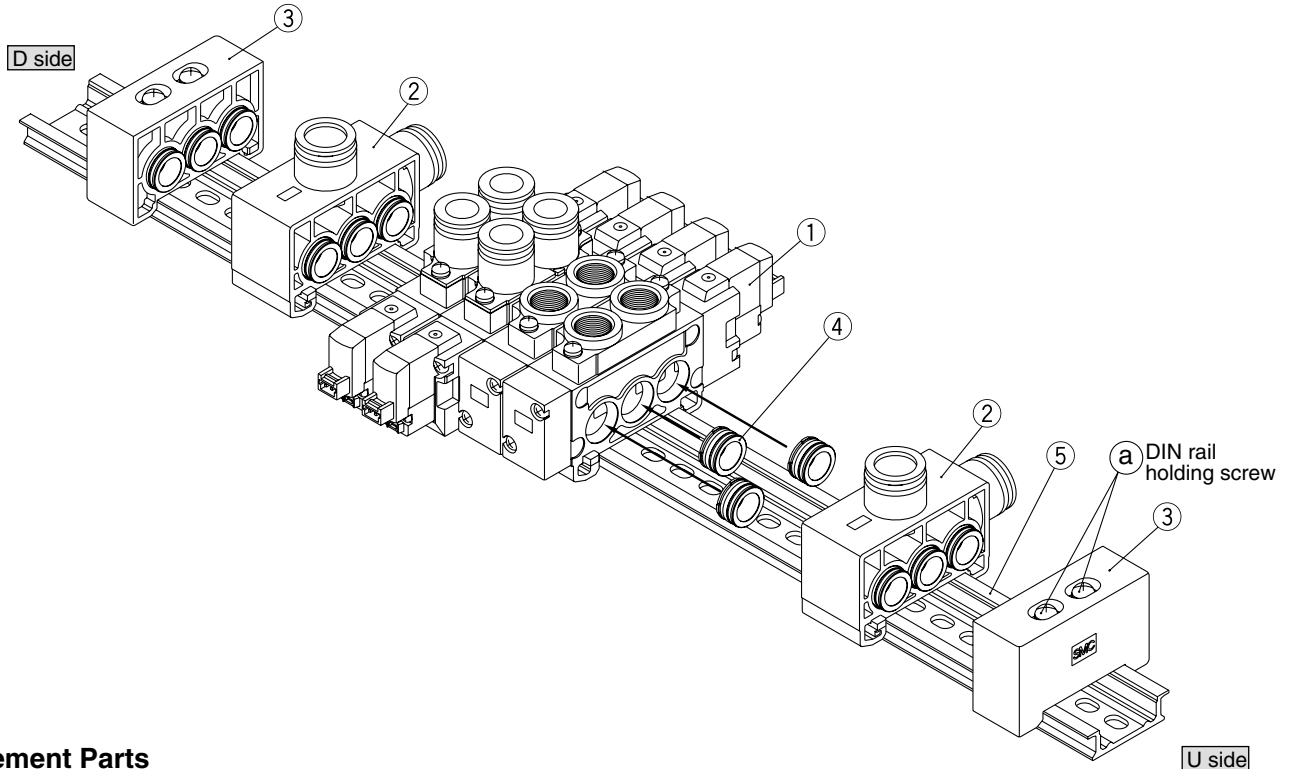
Caution

When clamping screw (a) of the end block is not sufficiently tightened during reassembly, air leakage may result. Before supplying air, check that there are no gaps between valves and that the end block is firmly secured to the DIN rail in order to ensure air supply without leakage.

- SJ
- SY
- SV
- SYJ
- SZ
- VP4
- S0700
- VQ
- VQ4
- VQ5
- VQC
- VQZ
- SQ
- VFS
- VFR
- VQ7

DIN Rail Manifold Exploded View

SY7000
Type 60



Replacement Parts

No.	Description	Part no.	Note
1	Valve	SY7□60-□□-□(-Q)	□ at the end of part number denotes A. B port size: 02, C8, C10, N9, N11. Includes bushing assembly (SY7000-70-1A) 3 pcs.
2	SUP/EXH block assembly	SY7000-75- $\frac{1}{3}$ A(-Q)	
3	End block assembly	SY7000-56-1A(-Q)	In common for D side and U side (Bushing assembly: Not available for SY7000-70-1A.)
4	Bushing assembly	SY7000-70-1A	
5	DIN rail	VZ1000-11-4-□	Refer to page 186.

How to Add Additional Valves to the DIN Rail Valves can be added at any station on the rail.

- 1 Loosen the rail holding screw (a) at both of 2 locations which holds the manifold base either in the U side or D side.
When removing the end block assembly from the DIN rail, loosen the holding screws for DIN rail at first, then slide it to the edge of the rail.
- 2 Separate the valves at the point where more valves are to be added.
- 3 Mount the additional valves on the DIN rail as shown in Fig. 1.
- 4 Connect them together while pressing the block assemblies toward each other, and tighten the 2 holding screws (a) for DIN rail alternately (2 to 3 times) with the prescribed torque (1.4 N·m) to fix them to the DIN rail.

⚠ Caution

Tightening torque
SY7000: 1.4 N·m

(While lightly holding the blocks after fixing an end block on one side, tighten the other end block for better sealing after no gap between valves is confirmed.)

- **Bushing assembly must be seated properly to each valve block in order to prevent air leaks from occurring.**
- **Refer to the fig. 2 when dismantling the valve from the DIN rail.**

Fig. 1 Manifold mounting procedure

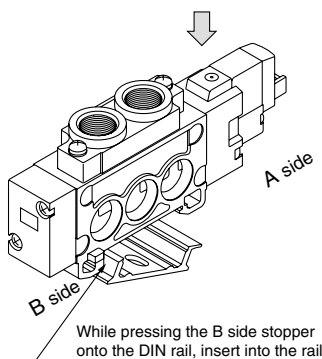
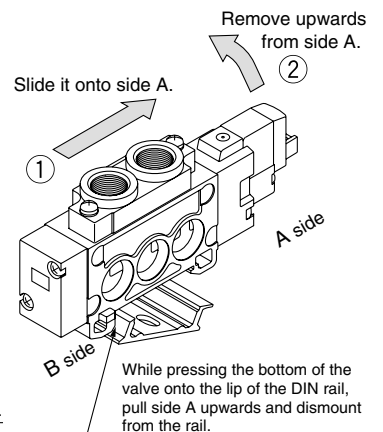


Fig. 2 Manifold dismantling procedure



⚠ Caution

When clamping screw (a) of the end block is not sufficiently tightened during reassembly, air leakage may result. Before supplying air, check that there are no gaps between valves and that the end block is firmly secured to the DIN rail in order to ensure air supply without leakage.

Type **41**
Type **42**

5 Port Solenoid Valve Base Mounted Manifold Bar Stock Type/Individual Wiring

Series SY3000/5000/7000



How to Order Manifold

Type 41/Compact style

SS5Y 5 - 41 - 05 - C8 [] - []

Manifold series

3	SY3000
5	SY5000

Stations

02	2 stations
:	:
20	20 stations

Thread type

Nil	Rc
F	G
N	NPT
T	NPTF

* This also includes the number of blanking plate assemblies.

* Except for M5

A, B port size

Thread piping

Symbol	Port size	Applicable series
M5	M5 x 0.8	SY3000
01	1/8	SY5000

CE-compliant

Nil	—
Q	CE-compliant

One-touch fitting (Metric size)

Symbol	Port size	Applicable series
C4	One-touch fitting for ø4	SY3000
C6	One-touch fitting for ø6	SY3000
C6	One-touch fitting for ø6	SY5000
C8	One-touch fitting for ø8	SY5000

One-touch fitting (Inch size)

Symbol	Port size	Applicable series
N3	One-touch fitting for ø5/32"	SY3000
N7	One-touch fitting for ø1/4"	SY3000
N7	One-touch fitting for ø1/4"	SY5000
N9	One-touch fitting for ø5/16"	SY5000

Type 42/External pilot capable

SS5Y 5 - 42 - 05 - C8 [] - []

Manifold series

3	SY3000
5	SY5000
7	SY7000

Stations

02	2 stations
:	:
20	20 stations

Thread type

Nil	Rc
F	G
N	NPT
T	NPTF

A, B port size

Thread piping

Symbol	Port size	Applicable series
01	1/8	SY3000
02	1/4	SY5000
02	1/4	SY7000

CE-compliant

Nil	—
Q	CE-compliant

One-touch fitting (Metric size)

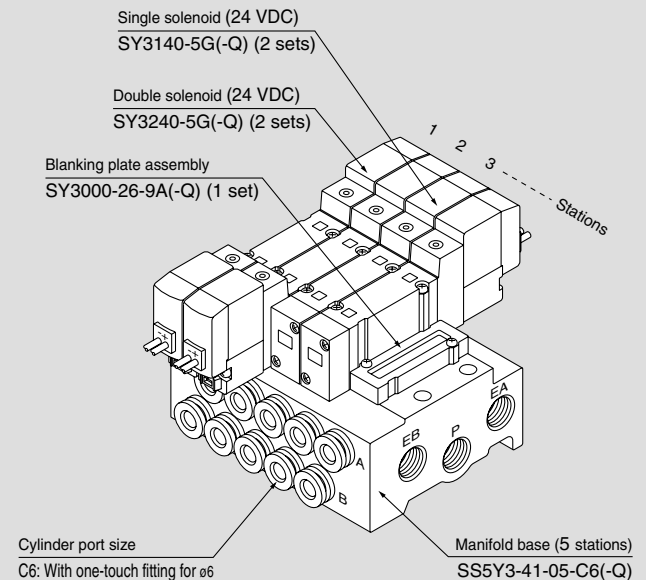
Symbol	Port size	Applicable series
C4	One-touch fitting for ø4	SY3000
C6	One-touch fitting for ø6	SY3000
C6	One-touch fitting for ø6	SY5000
C8	One-touch fitting for ø8	SY5000
C10	One-touch fitting for ø10	SY7000

One-touch fitting (Inch size)

Symbol	Port size	Applicable series
N3	One-touch fitting for ø5/32"	SY3000
N7	One-touch fitting for ø1/4"	SY3000
N7	One-touch fitting for ø1/4"	SY5000
N9	One-touch fitting for ø5/16"	SY5000
N11	One-touch fitting for ø3/8"	SY7000

How to Order Manifold Assembly (Example)

Example



SS5Y3-41-05-C6 1 set (Type 41, 5-station manifold base part no.)
 * **SY3240-5G** 2 sets (Double solenoid part no.)
 * **SY3140-5G** 2 sets (Single solenoid part no.)
 * **SY3000-26-9A** 1 set (Blanking plate assembly part no.)

The asterisk denotes the symbol for assembly.
Prefix it to the part nos. of the solenoid valve, etc.

Add the valve and option part number under the manifold base part number. In the case of complex arrangement, specify them on the manifold specification sheet.

How to Order Valve

SY 5 2 40 - **5 L** - -

Series

3	SY3000
5	SY5000
7	SY7000

Type of actuation

1	2 position single
2	2 position double
3	3 position closed center
4	3 position exhaust center
5	3 position pressure center

Pilot type

Nil	Internal pilot
R	External pilot

Coil specifications

Nil	Standard
T	With power saving circuit (24 VDC, 12 VDC only)

* Power saving circuit is not available in the case of D, Y, DO, YO or W□ type.

Rated voltage

For DC

5	24 VDC
6	12 VDC
V	6 VDC
S	5 VDC
R	3 VDC

For AC (50/60 Hz)

1	100 VAC
2	200 VAC
3	110 VAC [115 VAC]
4	220 VAC [230 VAC]

* DC specifications of Type D, Y, DO and YO is only available with 12 and 24 VDC.
* For type W□, DC voltage is only available.

CE-compliant

Nil	—
Q	CE-compliant

* For DC only except DIN terminal.

Made to Order

Nil	—
X90	Main valve fluoro rubber (Refer to page 332.)

Manual override

Nil	Non-locking push type
D	Push-turn locking slotted type
E	Push-turn locking lever type

Light/surge voltage suppressor

Electrical entry for G, H, L, M, W

Nil	Without light/surge voltage suppressor
S	With surge voltage suppressor
Z	With light/surge voltage suppressor
R	With surge voltage suppressor (Non-polar type)
U	With light/surge voltage suppressor (Non-polar type)

* For AC voltage valves there is no "S" option. It is already built-in to the rectifier circuit.
* For "R" and "U", DC voltage is only available.
* Power saving circuit is only available in the "Z" type.

Electrical entry for D, Y

Nil	Without light/surge voltage suppressor
S	With surge voltage suppressor (Non-polar type)
Z	With light/surge voltage suppressor (Non-polar type)

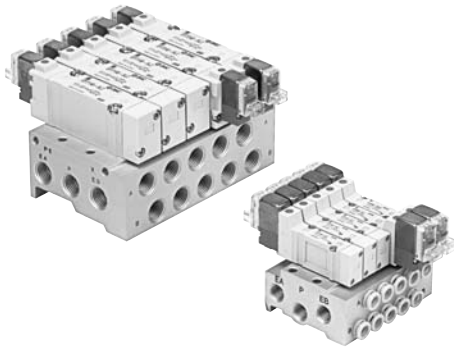
* DOZ and YOZ are not available.
* For AC voltage valves there is no "S" option. It is already built-in to the rectifier circuit.

Electrical entry

24, 12, 6, 5, 3 VDC/100, 110, 200, 220 VAC			24, 12 VDC/ 100, 110, 200, 220 VAC	24, 12, 6, 5, 3 VDC
Grommet	L plug connector	M plug connector	DIN terminal	M8 connector
G: Lead wire length 300 mm lead H: Lead wire length 600 mm	L: With lead wire (Length 300 mm) LN: Without lead wire LO: Without connector	M: With lead wire (Length 300 mm) MN: Without lead wire MO: Without connector	D: With connector DO: Without connector Y: With connector YO: Without connector	WO: Without connector cable W□: With connector cable (Note)

* LN, MN type: with 2 sockets.
* "Y" type is a DIN terminal conforming to EN-175301-803C (former DIN43650C). For details, refer to page 336.
* For connector cable of M8 connector, refer to page 339.
* M8 connector conforming to IEC60947-5-2 standard is also available. Refer to page 331 for details.
* Refer to page 336 for the lead wire length of L and M plug connectors.
* Refer to page 337 for the connector assembly with cover for L and M plug connectors.
Note) Enter the cable length symbols in □. Please be sure to fill in the blank referring to page 340.

- SJ
- SY**
- SV
- SYJ
- SZ
- VP4
- S0700
- VQ
- VQ4
- VQ5
- VQC
- VQZ
- SQ
- VFS
- VFR
- VQ7



Manifold Specifications

Model	SS5Y3-41(-Q)	SS5Y3-42(-Q)	SS5Y5-41(-Q)	SS5Y5-42(-Q)	SS5Y7-42(-Q)
Applicable valve	SY3□40		SY5□40		SY7□40
Manifold type	Single base/B mount				
P(SUP)/R(EXH)	Common SUP, Common EXH				
Valve stations	2 to 20 stations ^{Note 1)}				
A, B port	Location	Base			
	Porting specifications	Side			
Port size	P, EA, EB port	1/8		1/4	
	A, B port	M5 x 0.8, C4 (One-touch fitting for ø4) C6 (One-touch fitting for ø6)	1/8 C4 (One-touch fitting for ø4) C6 (One-touch fitting for ø6)	1/8 C6 (One-touch fitting for ø6) C8 (One-touch fitting for ø8)	1/4 C6 (One-touch fitting for ø6) C8 (One-touch fitting for ø8)
		C10 (One-touch fitting for ø10)			
Manifold base mass W (g) n: Stations	W = 30n + 50	W = 37n + 63	W = 61n + 101	W = 79n + 127	W = 100n + 151



Note 1) For more than 10 stations (more than 5 stations in case of SS5Y7), supply pressure to P port on both sides and exhaust from EA/EB port on both sides.

Note 2) Refer to "Manifold Option" on page 238.

Flow Characteristics

Model	Port size		Flow characteristics					
	1, 5, 3 (P, EA, EB)	4, 2 (A, B)	1 → 4/2 (P → A/B)			4/2 → 5/3 (A/B → EA/EB)		
			C (dm ³ /s·bar)	b	Cv	C (dm ³ /s·bar)	b	Cv
SS5Y3-41(-Q)	1/8	C6	0.75	0.19	0.18	0.81	0.23	0.20
SS5Y3-42(-Q)	1/8	C6	0.75	0.20	0.18	0.82	0.20	0.20
SS5Y5-41(-Q)	1/4	C8	1.8	0.23	0.44	1.9	0.16	0.45
SS5Y5-42(-Q)	1/4	C8	1.9	0.20	0.46	1.9	0.12	0.43
SS5Y7-42(-Q)	1/4	C10	3.0	0.25	0.75	3.0	0.12	0.66

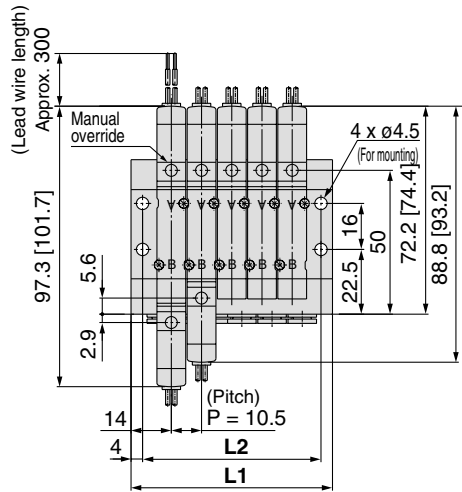


Note) The value is for manifold base with 5 stations and individually operated 2 position type.

SY3000: SS5Y3-41- Stations -M5, C4,N3
C6,N7

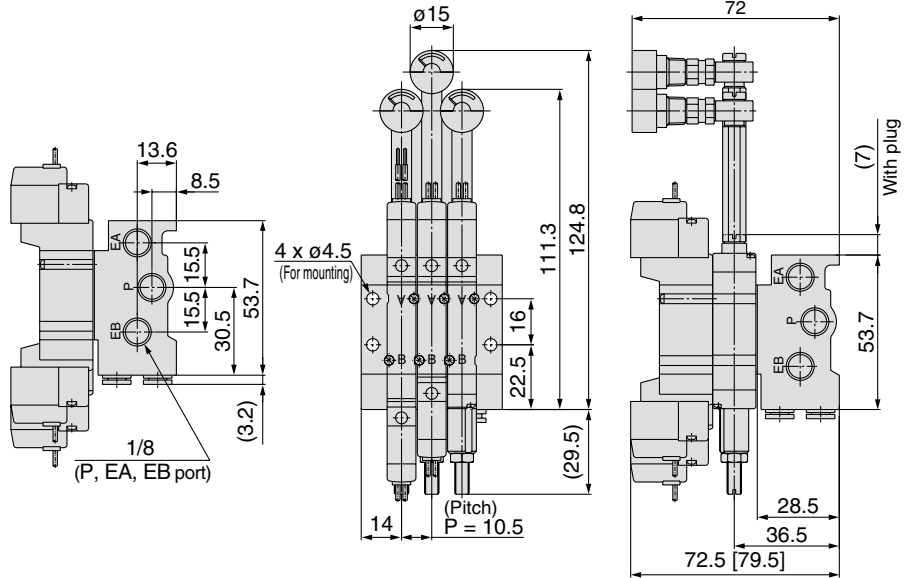


Grommet (G)

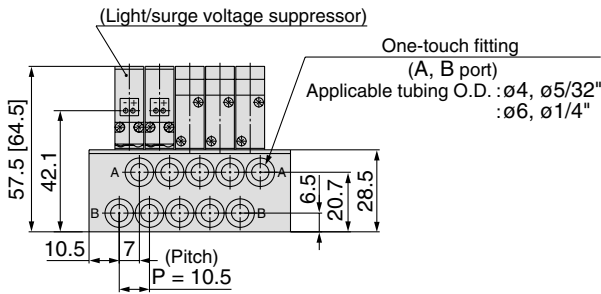


(Station 1) ----- (Station n)

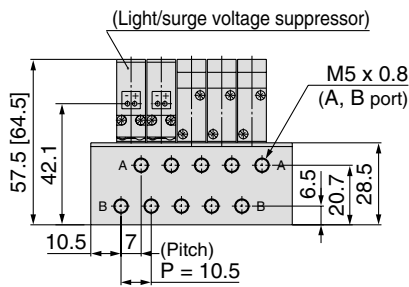
With interface regulator (with gauge)



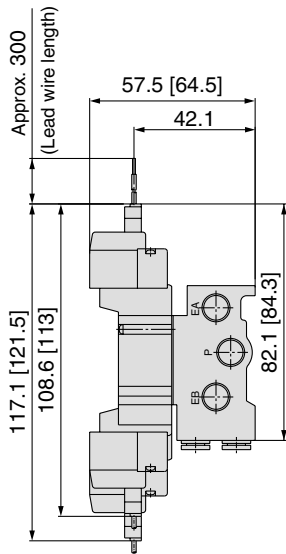
- SJ
- SY**
- SV
- SYJ
- SZ
- VP4
- S0700
- VQ
- VQ4
- VQ5
- VQC
- VQZ
- SQ
- VFS
- VFR
- VQ7



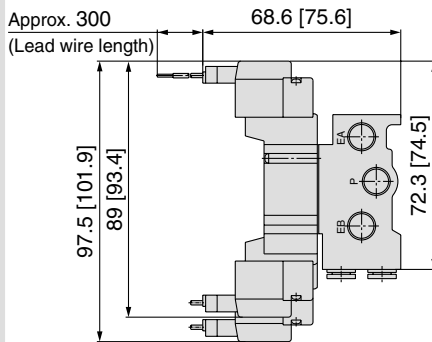
For M5



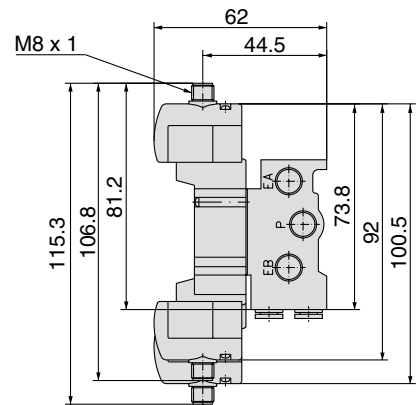
L plug connector (L)



M plug connector (M)



M8 connector (WO)



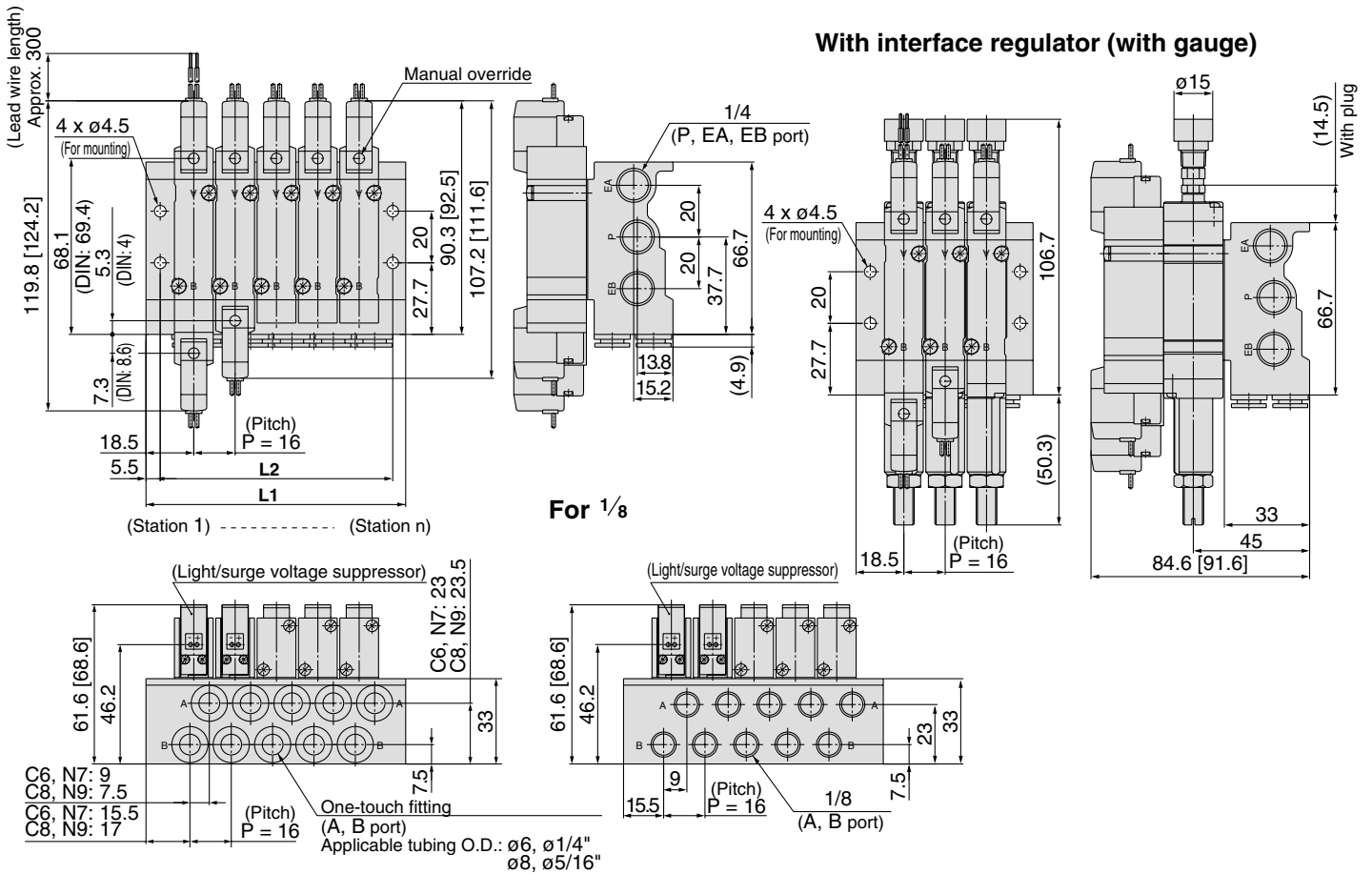
Note) Refer to page 340 for dimensions of connector types.

Stations n	2 stations	3	4	5	6	7	8	9	10	11	12	13	14	15	16	17	18	19	20 stations
L1	38.5	49	59.5	70	80.5	91	101.5	112	122.5	133	143.5	154	164.5	175	185.5	196	206.5	217	227.5
L2	30.5	41	51.5	62	72.5	83	93.5	104	114.5	125	135.5	146	156.5	167	177.5	188	198.5	209	219.5

SY5000: SS5Y5-41- Stations -01, C6, N7
 C8, N9



Grommet (G)

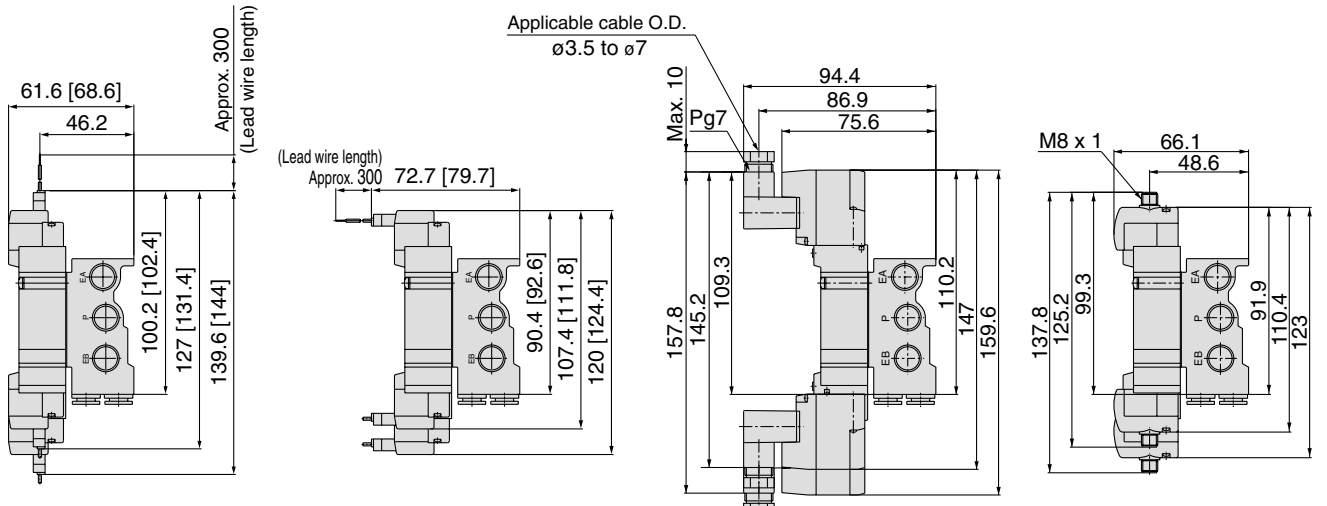


L plug connector (L)

M plug connector (M)

DIN terminal (D, Y)

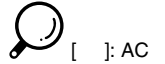
M8 connector (WO)



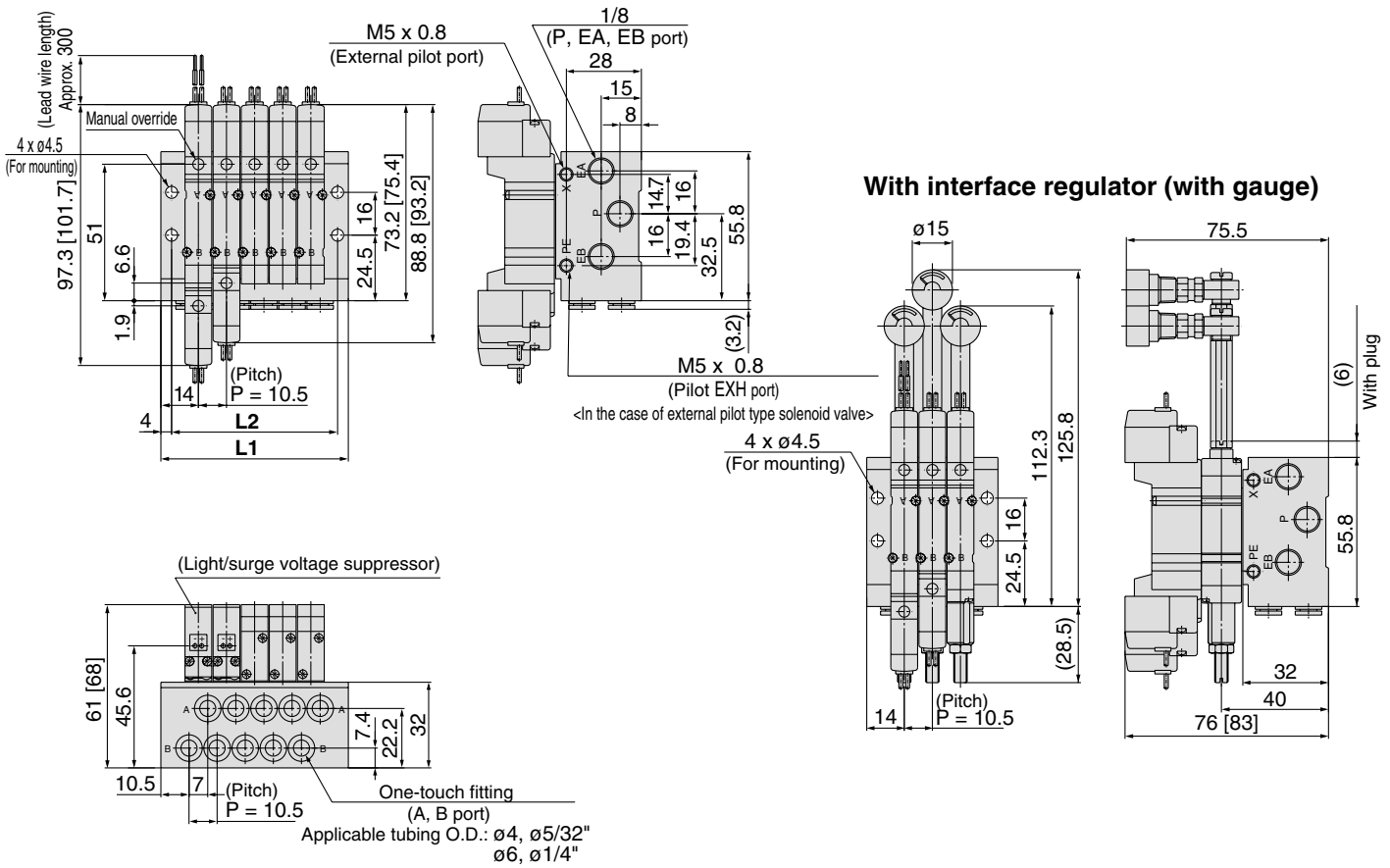
Note) Refer to page 340 for dimensions of connector types.

Stations n	2 stations	3	4	5	6	7	8	9	10	11	12	13	14	15	16	17	18	19	20 stations
L1	52.5	68.5	84.5	100.5	116.5	132.5	148.5	164.5	180.5	196.5	212.5	228.5	244.5	260.5	276.5	292.5	308.5	324.5	340.5
L2	42	58	74	90	106	122	138	154	170	186	202	218	234	250	266	282	298	314	330

SY3000: SS5Y3-42- Stations - C4, N3
C6, N7

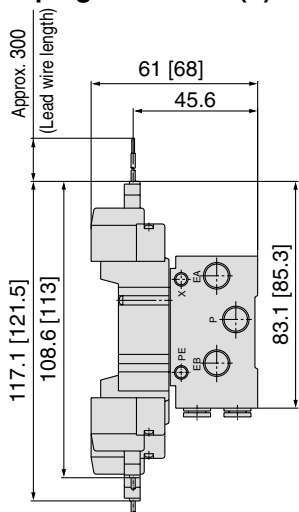


Grommet (G)

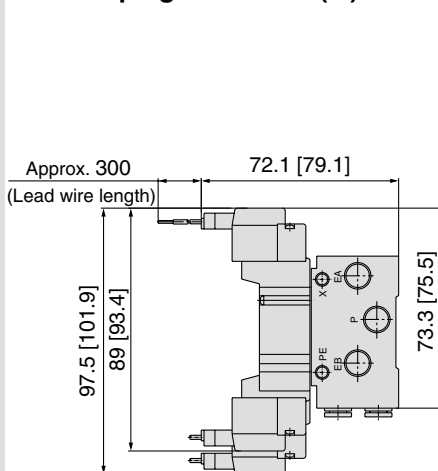


- SJ
- SY**
- SV
- SYJ
- SZ
- VP4
- S0700
- VQ
- VQ4
- VQ5
- VQC
- VQZ
- SQ
- VFS
- VFR
- VQ7

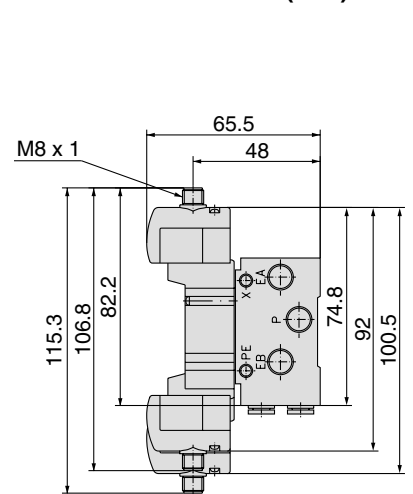
L plug connector (L)



M plug connector (M)



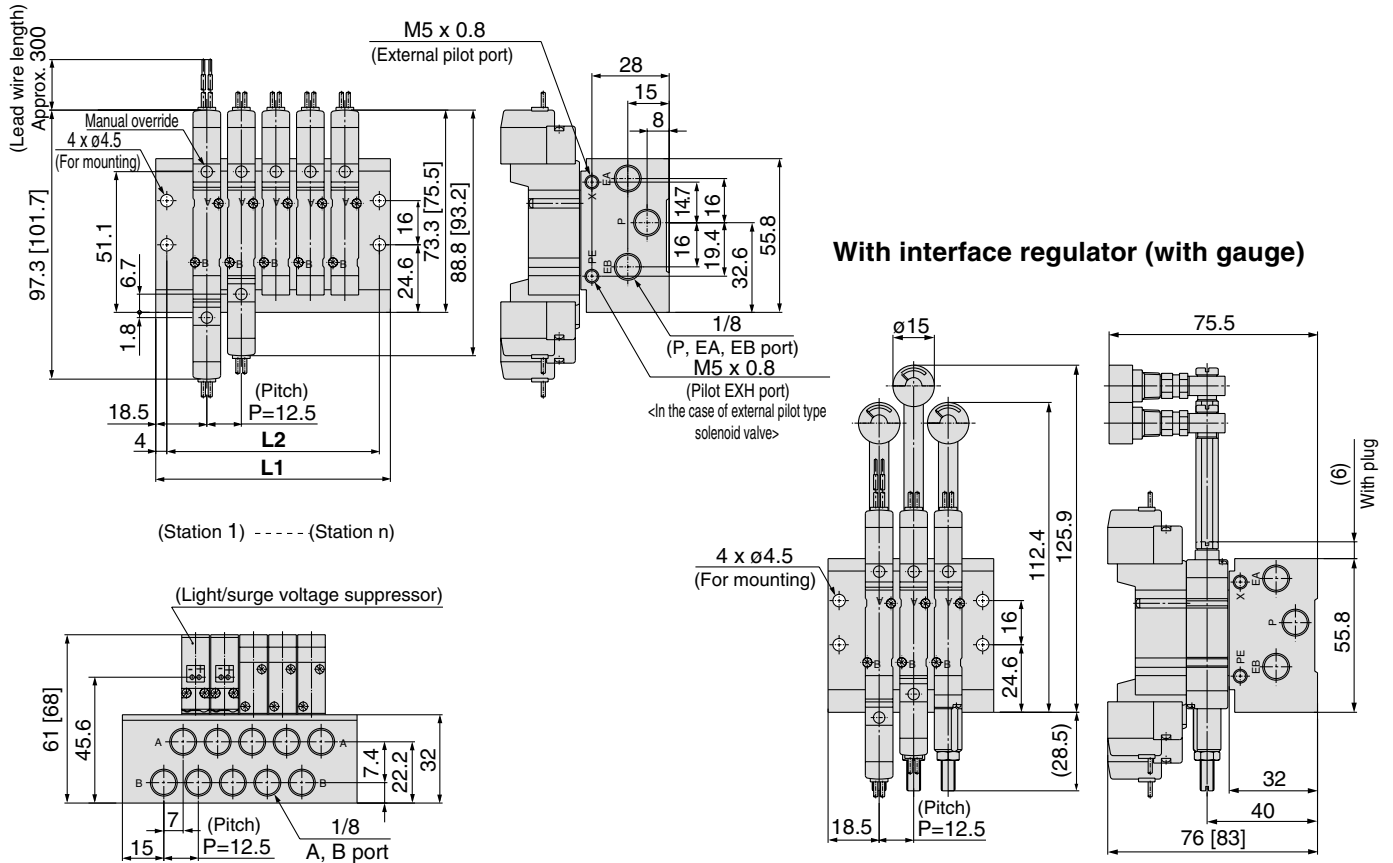
M8 connector (WO)



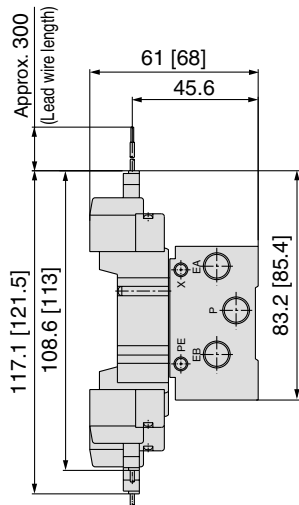
Note) Refer to page 340 for dimensions of connector types.

Stations n	2 stations	3	4	5	6	7	8	9	10	11	12	13	14	15	16	17	18	19	20 stations
L1	38.5	49	59.5	70	80.5	91	101.5	112	122.5	133	143.5	154	164.5	175	185.5	196	206.5	217	227.5
L2	30.5	41	51.5	62	72.5	83	93.5	104	114.5	125	135.5	146	156.5	167	177.5	188	198.5	209	219.5

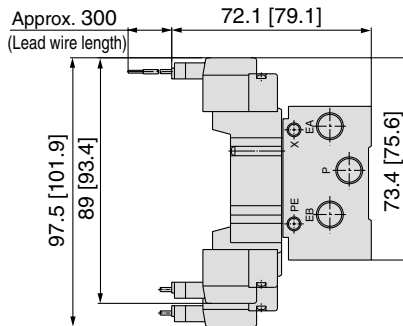
Grommet (G)



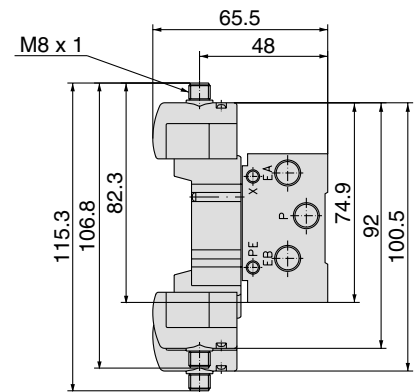
L plug connector (L)



M plug connector (M)



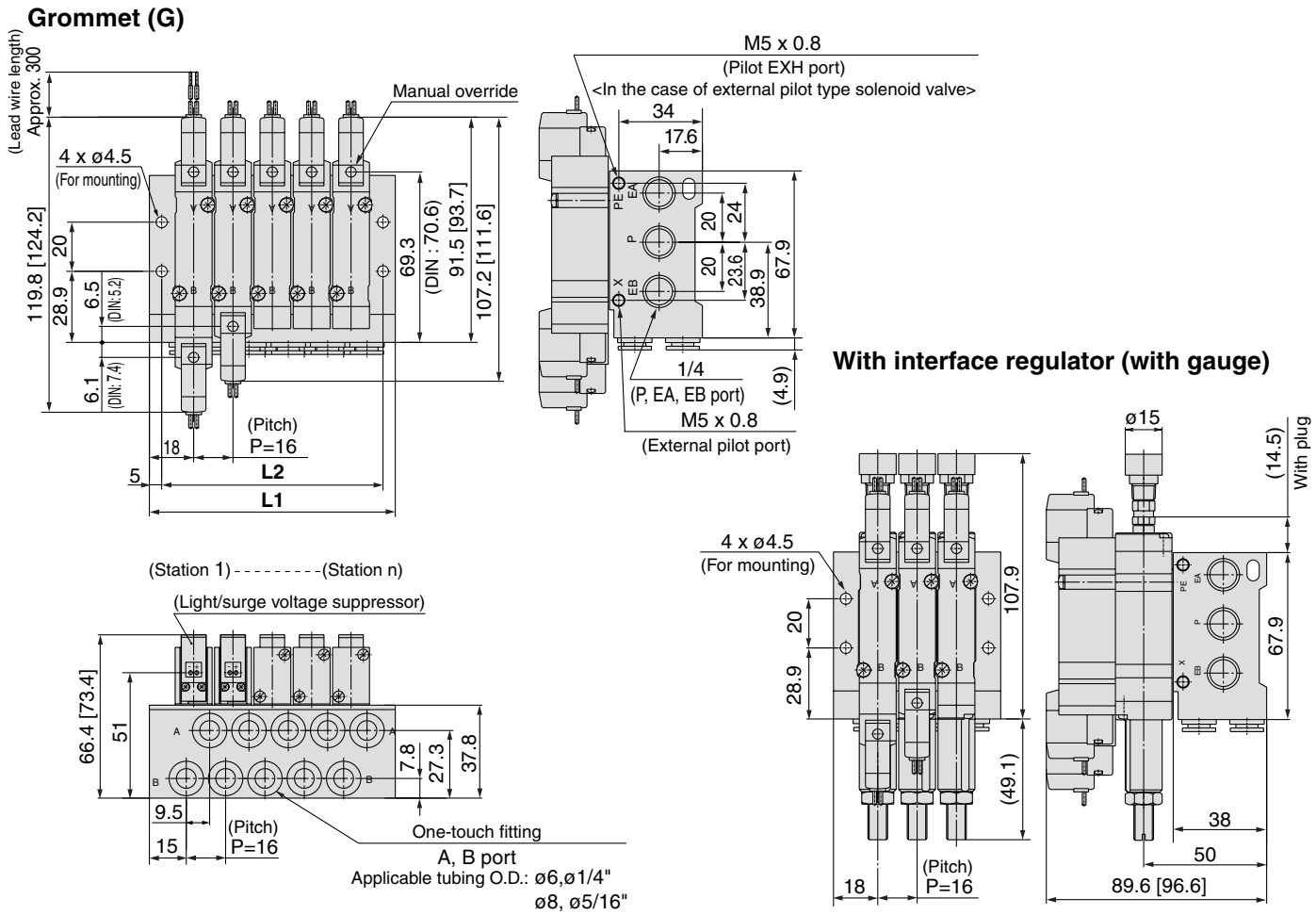
M8 connector (WO)



Note) Refer to page 340 for dimensions of connector types.

Stations n	2 stations	3	4	5	6	7	8	9	10	11	12	13	14	15	16	17	18	19	20 stations
L1	47.5	60	72.5	85	97.5	110	122.5	135	147.5	160	172.5	185	197.5	210	222.5	235	247.5	260	272.5
L2	39.5	52	64.5	77	89.5	102	114.5	127	139.5	152	164.5	177	189.5	202	214.5	227	239.5	252	264.5

SY5000: SS5Y5-42- Stations C4, N3 C6, N7



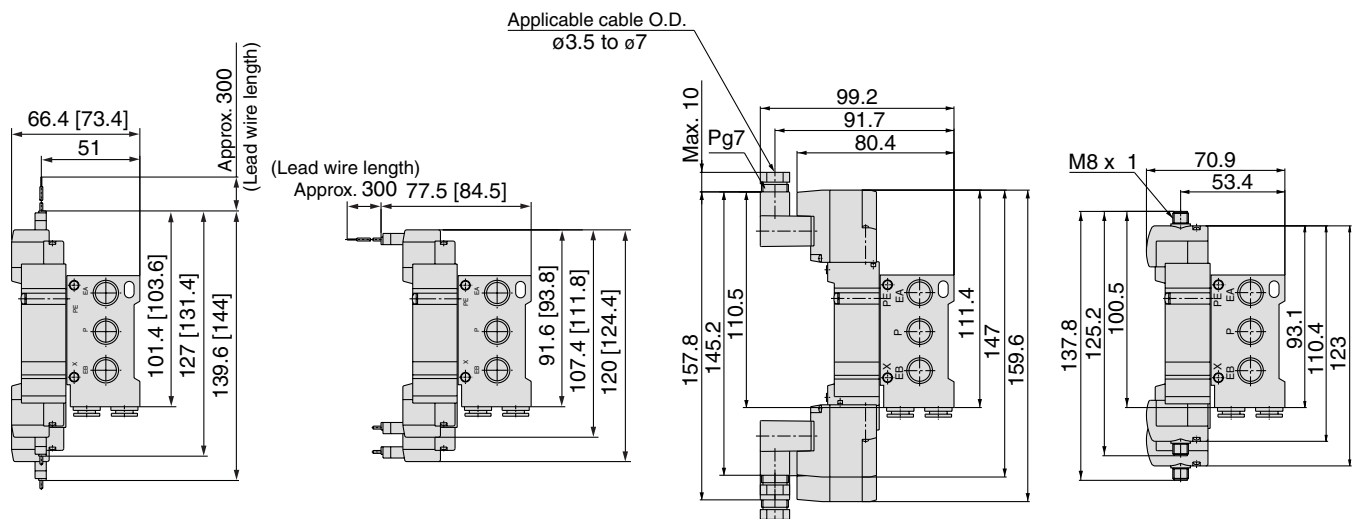
- SJ
- SY**
- SV
- SYJ
- SZ
- VP4
- S0700
- VQ
- VQ4
- VQ5
- VQC
- VQZ
- SQ
- VFS
- VFR
- VQ7

L plug connector (L)

M plug connector (M)

DIN terminal (D, Y)

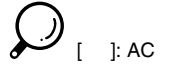
M8 connector (WO)



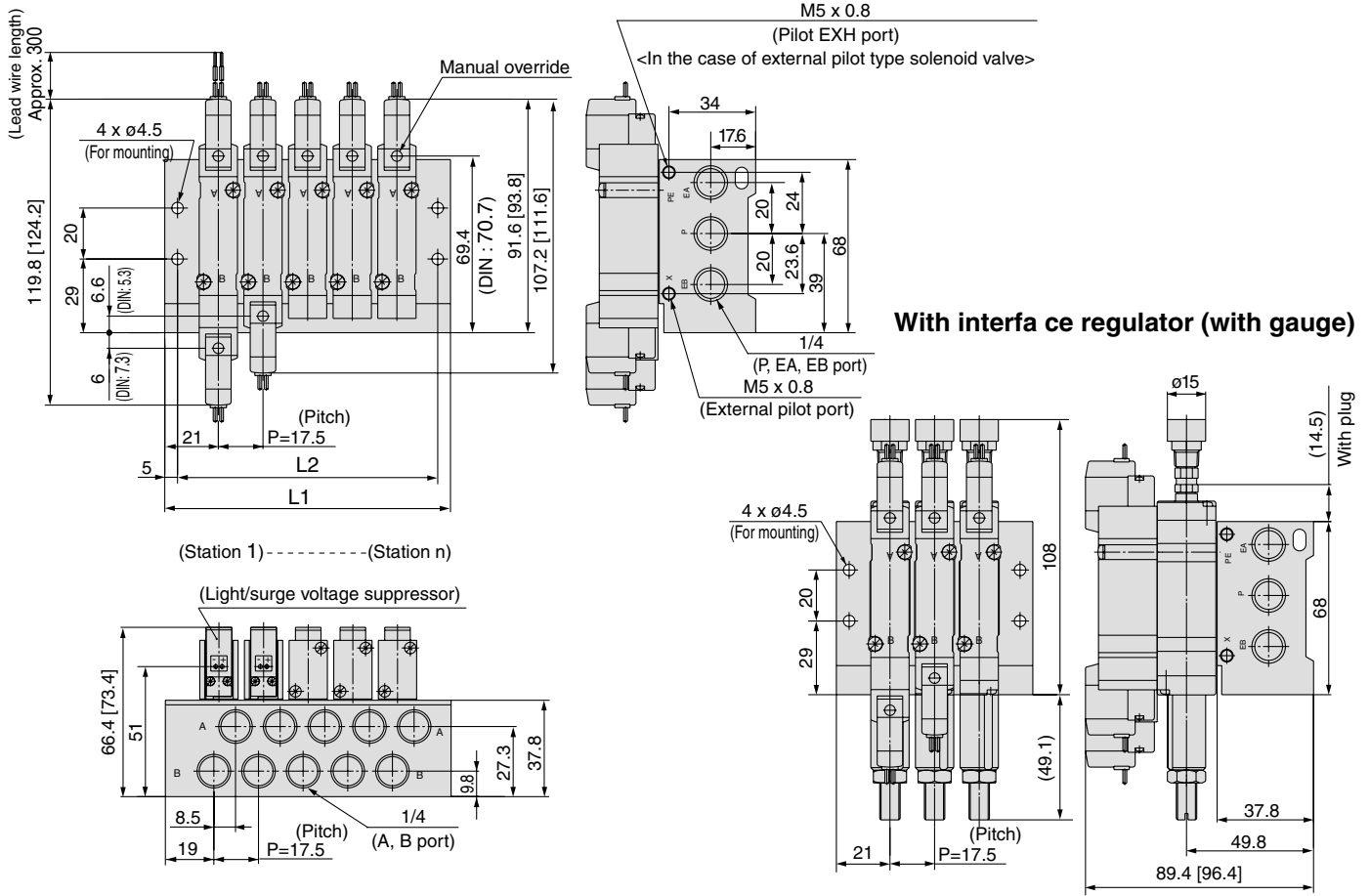
Note) Refer to page 340 for dimensions of connector types.

Stations n	2 stations	3	4	5	6	7	8	9	10	11	12	13	14	15	16	17	18	19	20 stations
L1	52	68	84	100	116	132	148	164	180	196	212	228	244	260	276	292	308	324	340
L2	42	58	74	90	106	122	138	154	170	186	202	218	234	250	266	282	298	314	330

SY5000: SS5Y5-42- Stations -02



Grommet (G)

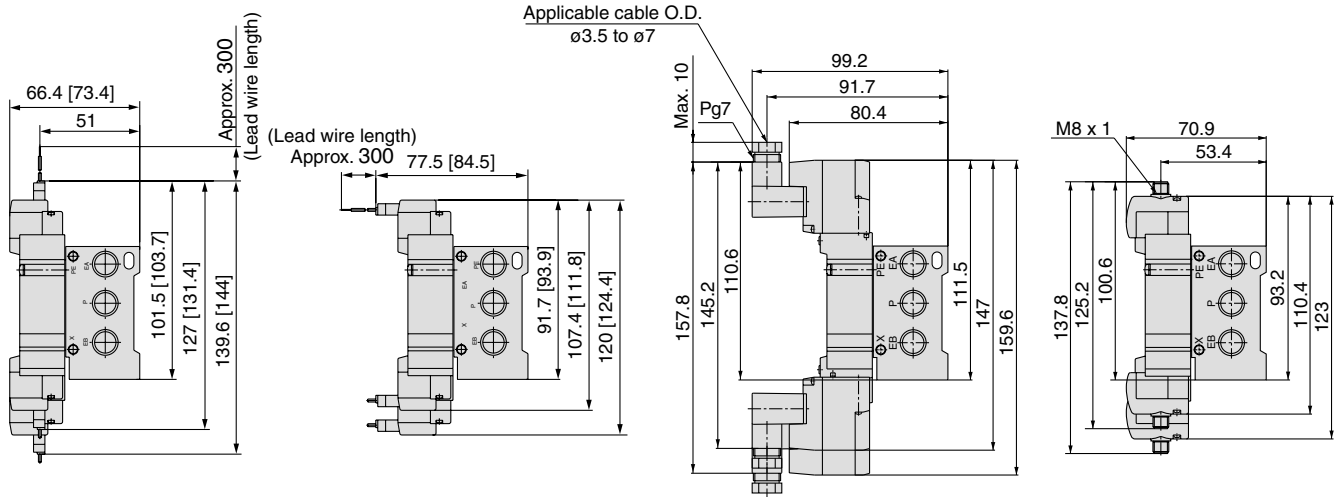


L plug connector (L)

M plug connector (M)

DIN terminal (D, Y)

M8 connector (WO)



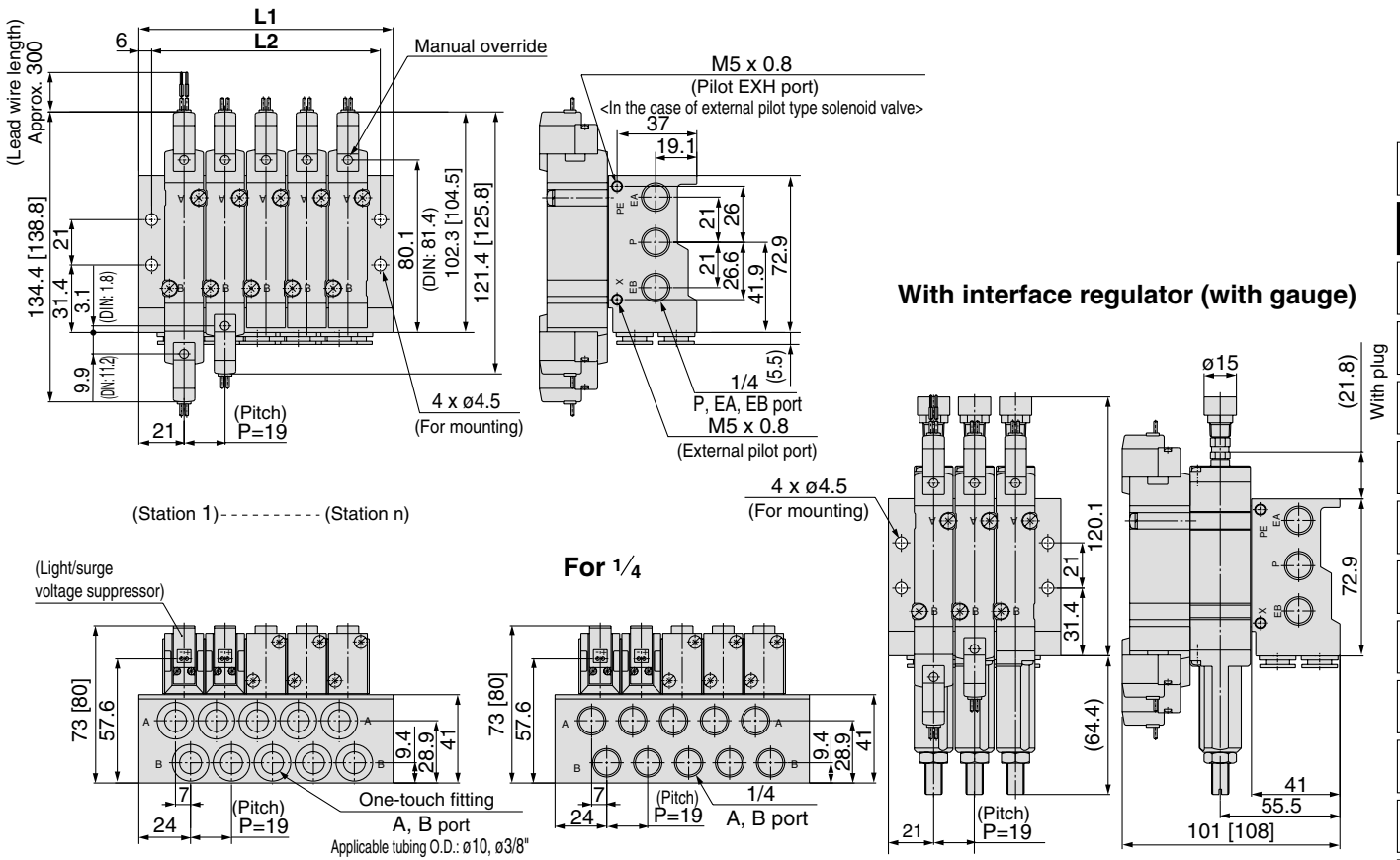
Note) Refer to page 340 for dimensions of connector types.

Stations n	2 stations	3	4	5	6	7	8	9	10	11	12	13	14	15	16	17	18	19	20 stations
L1	59.5	77	94.5	112	129.5	147	164.5	182	199.5	217	234.5	252	269.5	287	304.5	322	339.5	357	374.5
L2	49.5	67	84.5	102	119.5	137	154.5	172	189.5	207	224.5	242	259.5	277	294.5	312	329.5	347	364.5

SY7000: SS5Y7-42- Stations -02, C10, N11



Grommet (G)

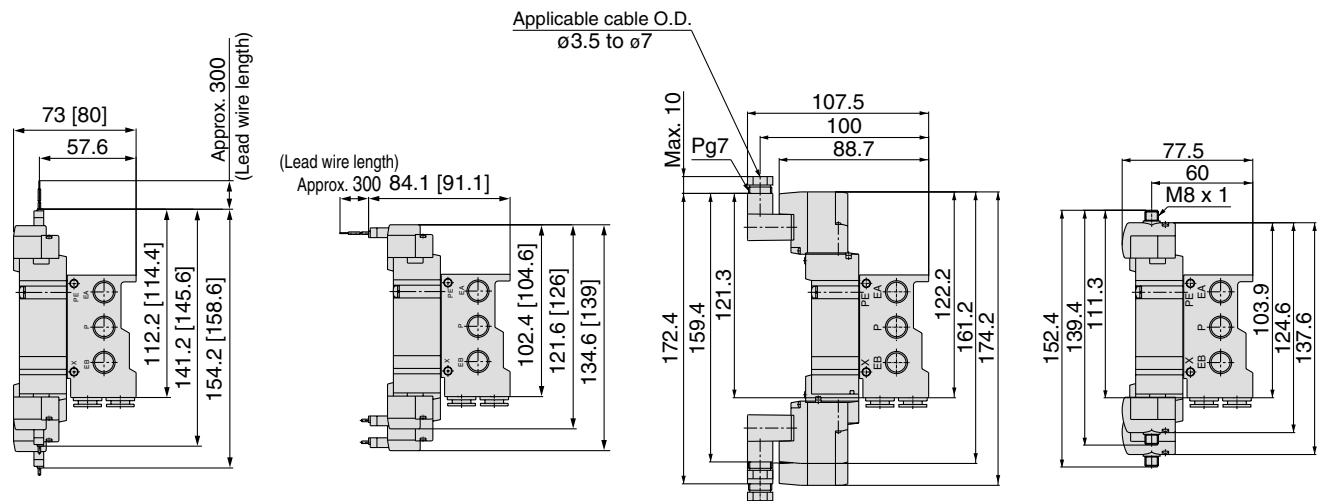


L plug connector (L)

M plug connector (M)

DIN terminal (D, Y)

M8 connector (WO)



Note) Refer to page 340 for dimensions of connector types.

Stations n	2 stations	3	4	5	6	7	8	9	10	11	12	13	14	15	16	17	18	19	20 stations
L1	61	80	99	118	137	156	175	194	213	232	251	270	289	308	327	346	365	384	403
L2	49	68	87	106	125	144	163	182	201	220	239	258	277	296	315	334	353	372	391

- SJ
- SY**
- SV
- SYJ
- SZ
- VP4
- S0700
- VQ
- VQ4
- VQ5
- VQC
- VQZ
- SQ
- VFS
- VFR
- VQ7

5 Port Solenoid Valve Base Mounted Manifold Stacking Type/Individual Wiring

Series SY9000



Type **43**

How to Order Manifold

SS5Y 9 - 43 - 05 U - C8 -

- Manifold series**

9	SY9000
---	--------
- Valve stations**

Symbol	Stations
02	2 stations
⋮	⋮
20	20 stations

* This also includes the number of blanking plate assemblies.
- P, R port outlets**

Symbol	Port outlet	Applicable stations
U	U side	2 to 10 stations
D	D side	2 to 20 stations
B	Both sides	2 to 20 stations
- SUP/EXH block assembly specifications**

Symbol	Specifications
Nil	Standard/Internal pilot specification
R	External pilot specification
S	Internal pilot/Built-in silencer
RS	External pilot/Built-in silencer
- Thread type**

Nil	Rc
F	G
N	NPT
T	NPTF
- Option**

Symbol	Mounting
Nil	Direct mounting
D	DIN rail mounting (with DIN rail)
DO	DIN rail mounting (without DIN rail)
D*	When a longer DIN rail is desired than the specified stations, specify the station number to be required into * mark.
- A, B port size**

Thread piping

Symbol	Port size
02	1/4
03	3/8

One-touch fitting (Metric size)

Symbol	Port size
C8	One-touch fitting for ø8
C10	One-touch fitting for ø10
C12	One-touch fitting for ø12
M	Mixed

One-touch fitting (Inch size)

Symbol	Port size
N9	One-touch fitting for ø5/16"
N11	One-touch fitting for ø3/8"
M	Mixed

* In the case of mixed specifications (M), indicate separately on the manifold specification sheet.
- CE-compliant**

Nil	—
Q	CE-compliant

How to Order Manifold Assembly (Example)

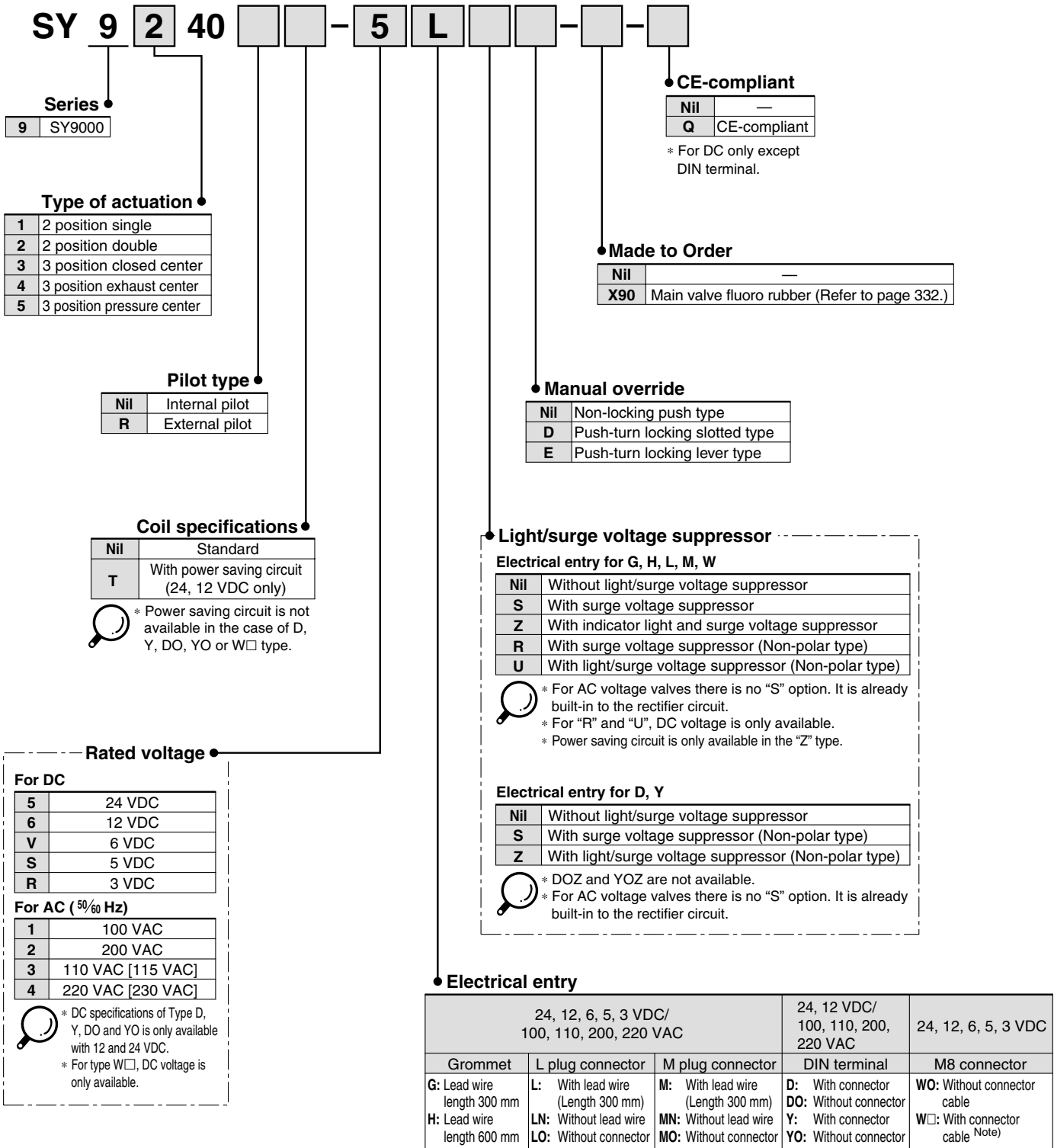
Example

SS5Y9-43-05B-C12 ... 1 set (Type 43, 5-station manifold base part no.)
 * SY9000-26-2A 1 set (Blanking plate assembly part no.)
 * SY9140-5LOZ 2 sets (Single solenoid part no.)
 * SY9220-5LOZ 2 sets (Double solenoid part no.)

The asterisk denotes the symbol for assembly. Prefix it to the part nos. of the solenoid valve, etc.

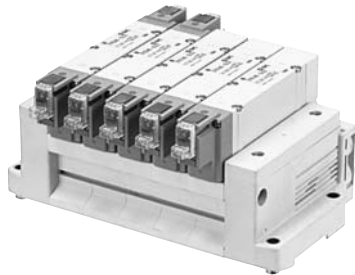
Add the valve and option part number under the manifold base part number. In the case of complex arrangement, specify them on the manifold specification sheet.

How to Order Valve



- SJ
- SY**
- SV
- SYJ
- SZ
- VP4
- S0700
- VQ
- VQ4
- VQ5
- VQC
- VQZ
- SQ
- VFS
- VFR
- VQ7

* LN, MN type: with 2 sockets.
* DIN terminal type "Y" which conforms to EN-175301-803C (former DIN43650C) is also available. For details, refer to page 336.
* For connector cable of M8 connector, refer to page 339.
* M8 connector conforming to IEC60947-5-2 standard is also available. Refer to page 331 for details.
* Refer to page 336 for the lead wire length of L and M plug connectors.
* Refer to page 337 for the connector assembly with cover for L and M plug connectors.
Note) Enter the cable length symbols in □. Please be sure to fill in the blank referring to page 340.



Manifold Specifications

Model		SS5Y9-43(-Q)
Applicable valve		SY9□40
Manifold type		Stacking type
P(SUP)/R(EXH)		Common SUP, Common EXH
Valve stations		2 to 20 stations ⁽¹⁾
A, B port	Location	Base
Porting specifications	Direction	Side
Port size	P, EA, EB port	C12 (One-touch fitting for ø12)
	A, B port	1/4 3/8 C8 (One-touch fitting for ø8) C10 (One-touch fitting for ø10) C12 (One-touch fitting for ø12)
Manifold base mass W (g), n: Stations		W = 107n + 330



Note 1) For more than 10 stations, supply pressure to P port on both sides and exhaust from EA/EB port on both sides.

Note 2) Refer to "Manifold Option" on page 238.

Flow Characteristics

Model	Port size		Flow characteristics					
	1, 5, 3 (P, EA, EB)	4, 2 (A, B)	1→4/2 (P→A/B)			4/2→5/3 (A/B→EA/EB)		
			C (dm ³ /s·bar)	b	Cv	C (dm ³ /s·bar)	b	Cv
SS5Y9-43(-Q)	C12	C12	6.4	0.29	1.6	7.3	0.29	1.8



Note) The value is for manifold base with 5 stations and individually operated 2 position type.

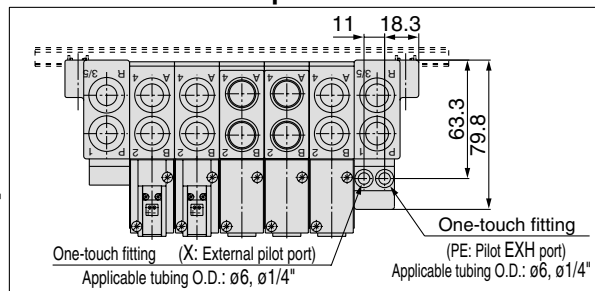
SY9000: SS5Y9-43-Stations D 02, C8, N9 03, C10, N11 (-D)



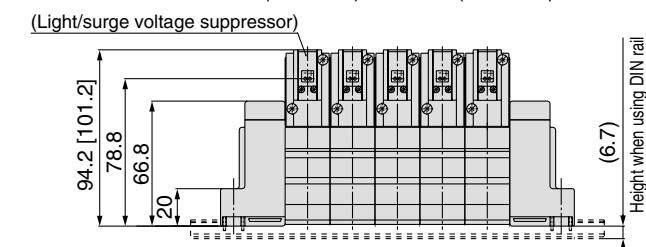
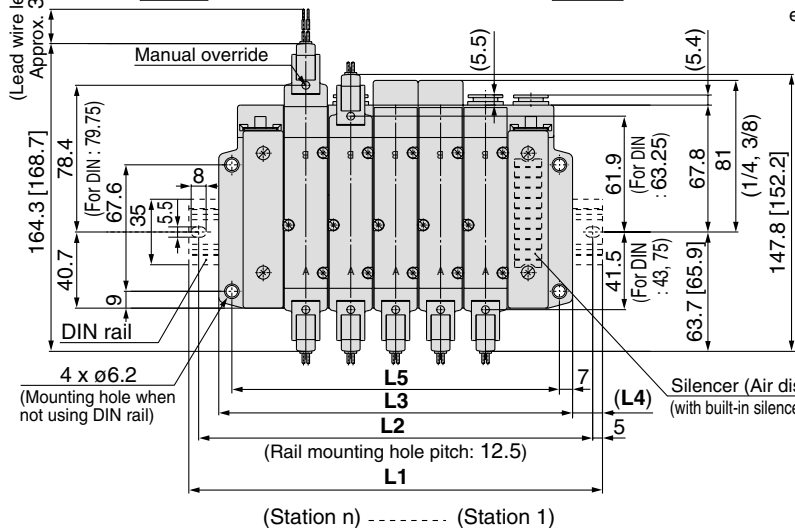
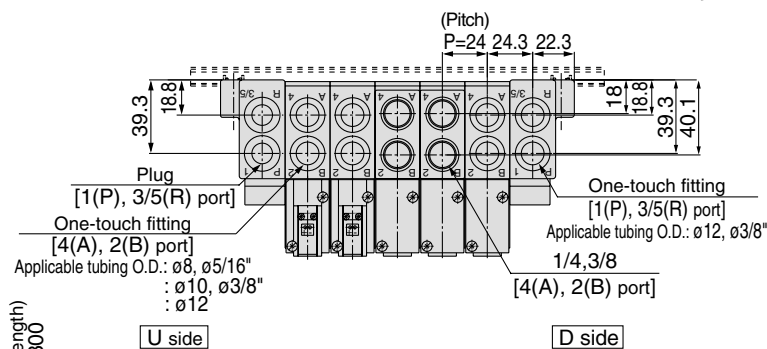
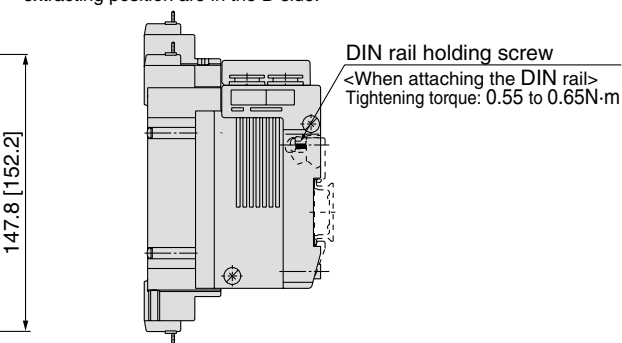
Grommet (G)

* When P, R port outlets are indicated on the D side, the P, R ports on the opposite side are plugged.

With External Pilot Specifications



* Air discharge port on the built-in silencer type and the external pilot's extracting position are in the D side.



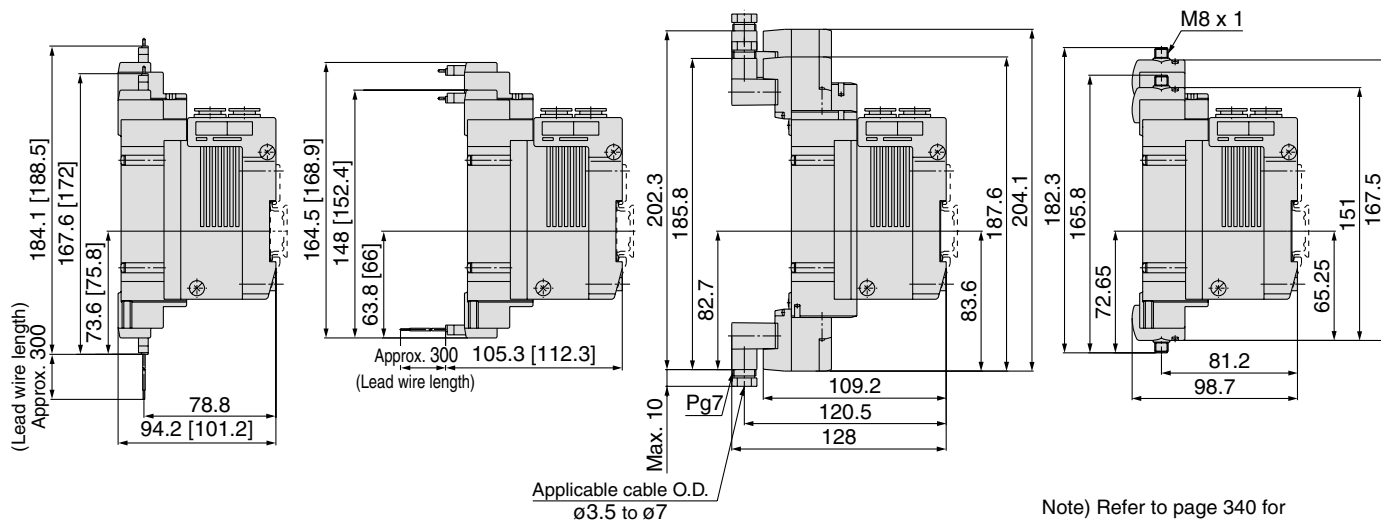
Stations n	2 stations	3	4	5	6	7	8	9	10 stations
L1	148	173	198	223	248	260.5	285.5	310.5	335.5
L2	137.5	162.5	187.5	212.5	237.5	250	275	300	325
L3	117	141	165	189	213	237	261	285	309
L4	15.5	16	16.5	17	17.5	12	12.5	13	13.5
L5	103	127	151	175	199	223	247	271	295

L plug connector (L)

M plug connector (M)

DIN terminal (D, Y)

M8 connector (WO)



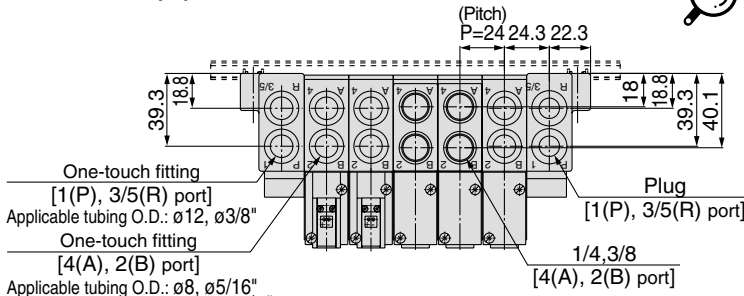
Note) Refer to page 340 for dimensions of connector types.

- SJ
- SY
- SV
- SYJ
- SZ
- VP4
- S0700
- VQ
- VQ4
- VQ5
- VQC
- VQZ
- SQ
- VFS
- VFR
- VQ7

SY9000: SS5Y9-43- Stations U ⁰²C9, N9 ⁰³C10, N11 ⁰⁴C12 (-D)

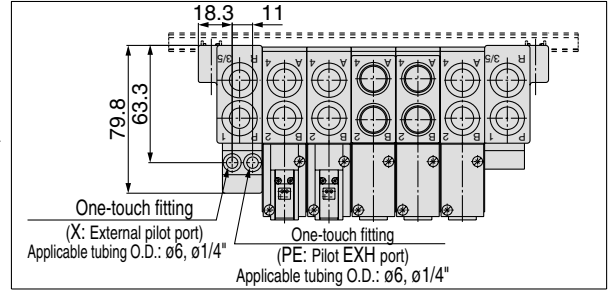
[] : AC

Grommet (G)

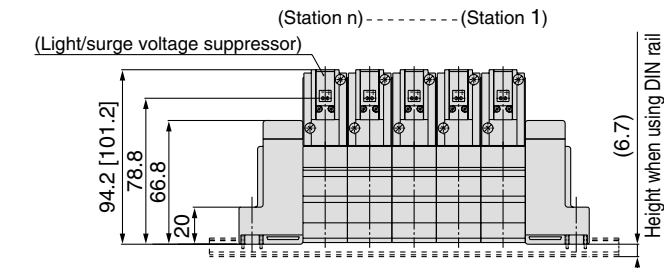
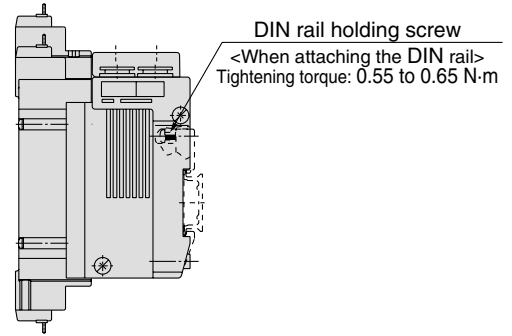
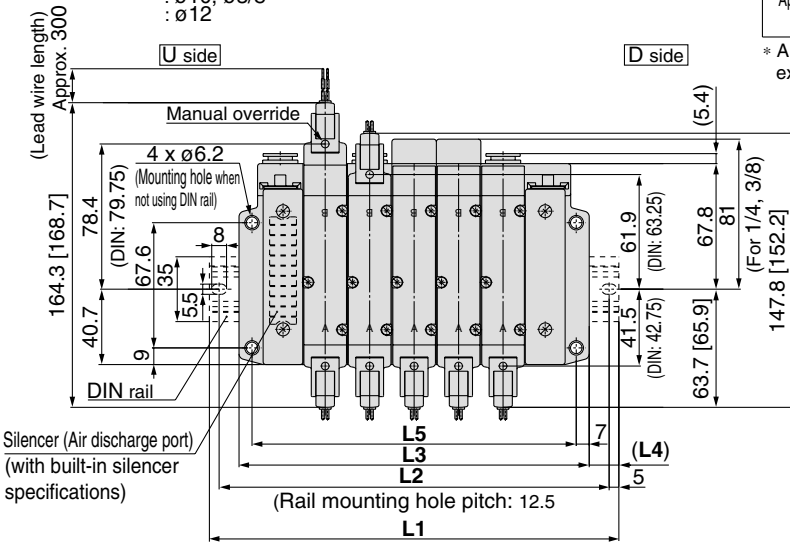


* When P, R port outlets are indicated on the U side, the P, R ports on the opposite side are plugged.

With External Pilot Specifications

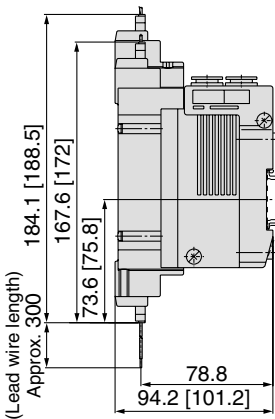


* Air discharge port on the built-in silencer type and the external pilot's extracting position are in the D side.

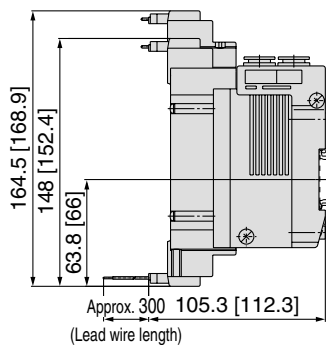


Stations n	2 stations	3	4	5	6	7	8	9	10 stations
L1	148	173	198	223	248	260.5	285.5	310.5	335.5
L2	137.5	162.5	187.5	212.5	237.5	250	275	300	325
L3	117	141	165	189	213	237	261	285	309
L4	15.5	16	16.5	17	17.5	12	12.5	13	13.5
L5	103	127	151	175	199	223	247	271	295

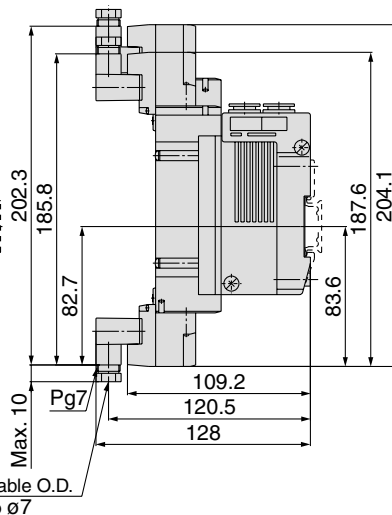
L plug connector (L)



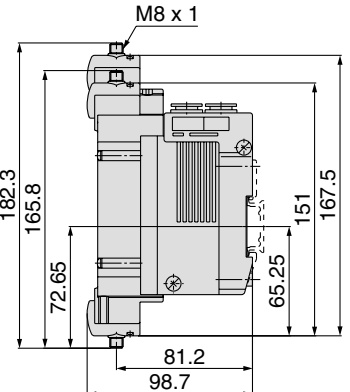
M plug connector (M)



DIN terminal (D, Y)



M8 connector (WO)

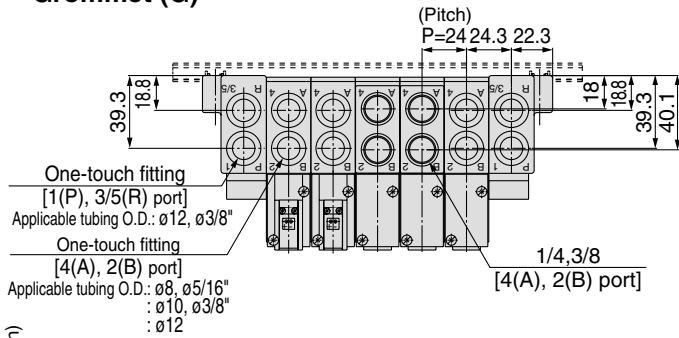


Note) Refer to page 340 for dimensions of connector types.

SY9000: SS5Y9-43- Stations B 02: C8, N9 03: C10, N11 (-D)

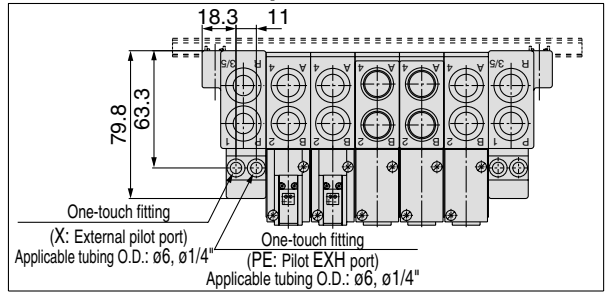


Grommet (G)

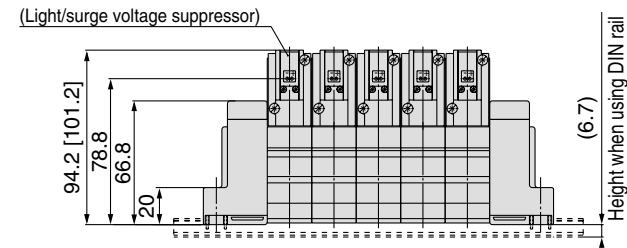
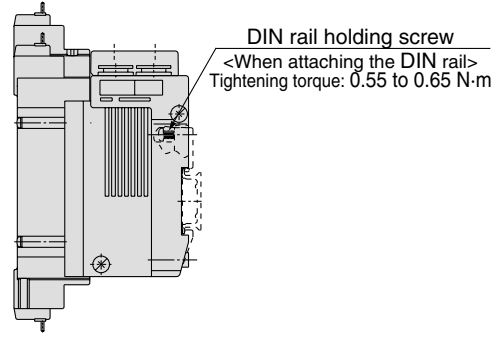
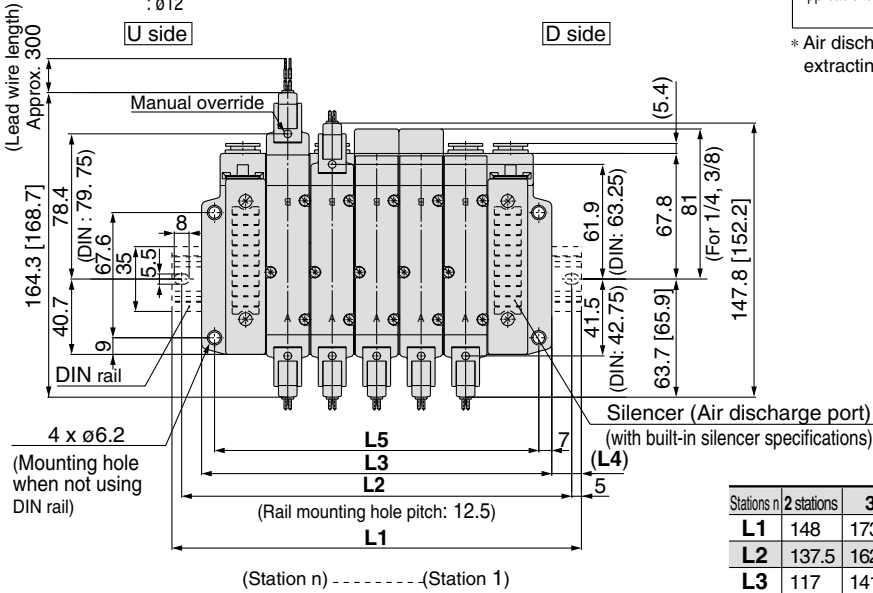


* When P, R port outlets are indicated on the B side, the P, R ports on the both sides are in the open state.

With External Pilot Specifications



* Air discharge port on the built-in silencer type and the external pilot's extracting position are in the B side (both sides).



Stations n	2 stations	3	4	5	6	7	8	9	10 stations
L1	148	173	198	223	248	260.5	285.5	310.5	335.5
L2	137.5	162.5	187.5	212.5	237.5	250	275	300	325
L3	117	141	165	189	213	237	261	285	309
L4	15.5	16	16.5	17	17.5	12	12.5	13	13.5
L5	103	127	151	175	199	223	247	271	295

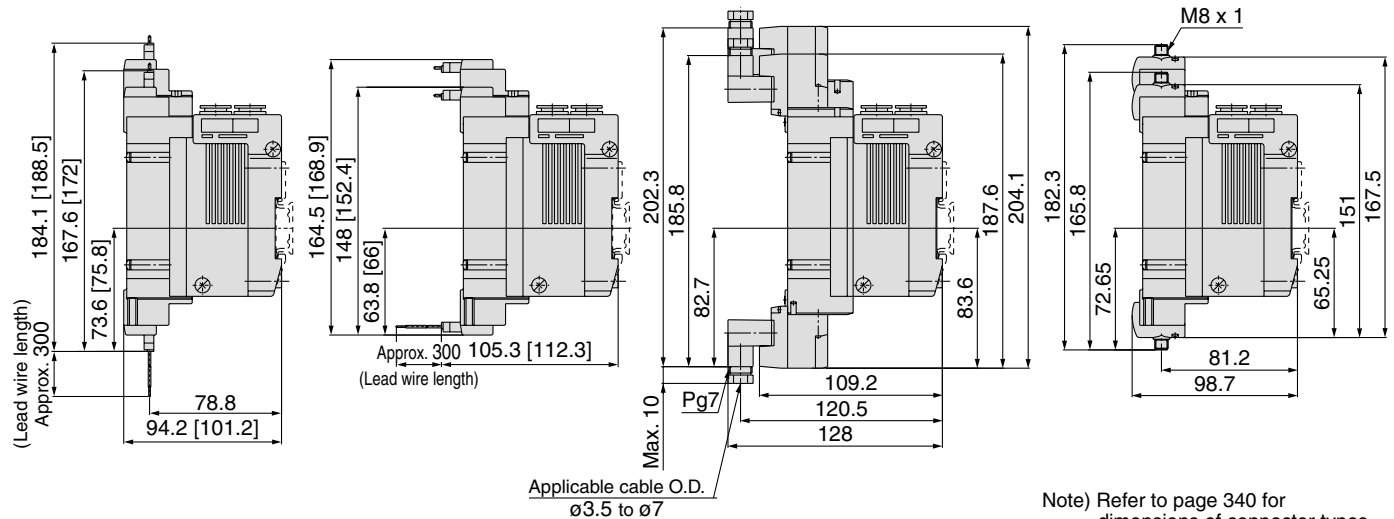
Stations n	11 stations	12	13	14	15	16	17	18	19	20 stations
L1	360.5	385.5	410.5	435.5	460.5	485.5	510.5	535.5	560.5	573
L2	350	375	400	425	450	475	500	525	550	562.5
L3	333	357	381	405	429	453	477	501	525	549
L4	14	14.5	15	15.5	16	16.5	17	17.5	18	12
L5	319	343	367	391	415	439	463	487	511	535

L plug connector (L)

M plug connector (M)

DIN terminal (D, Y)

M8 connector (WO)



Note) Refer to page 340 for dimensions of connector types.

- SJ
- SY
- SV
- SYJ
- SZ
- VP4
- S0700
- VQ
- VQ4
- VQ5
- VQC
- VQZ
- SQ
- VFS
- VFR
- VQ7

Type **41P**

Type **42P**

5 Port Solenoid Valve Base Mounted Manifold Bar Stock Type/Flat Ribbon Cable

Series SY3000/5000/7000



How to Order Manifold

Type 41P/Compact style

SS5Y 5 - 41P - 05 - C8

Manifold series

3	SY3000
5	SY5000

Stations

03	3 stations
⋮	⋮
12	12 stations

* SS5Y3 has 4 to 12 stations.

**A, B port size
Thread piping**

Symbol	Port size	Applicable series
M5	M5 x 0.8	SY3000
01	1/8	SY5000

Thread type

	Nil	Rc	CE-compliant
	F	G	Nil
	N	NPT	Q
	T	NPTF	CE-compliant

* Except for M5 * For DC only.

One-touch fitting (Metric size)

Symbol	Port size	Applicable series
C4	One-touch fitting for ø4	SY3000
C6	One-touch fitting for ø6	SY3000
C6	One-touch fitting for ø6	SY5000
C8	One-touch fitting for ø8	SY5000

One-touch fitting (Inch size)

Symbol	Port size	Applicable series
N3	One-touch fitting for ø5/32"	SY3000
N7	One-touch fitting for ø1/4"	SY3000
N7	One-touch fitting for ø1/4"	SY5000
N9	One-touch fitting for ø5/16"	SY5000

Type 42P/Common external pilot capable

SS5Y 5 - 42P - 05 - C8

Manifold series

3	SY3000
5	SY5000
7	SY7000

Stations

03	3 stations
⋮	⋮
12	12 stations

* SS5Y3 has 4 to 12 stations.

**A, B port size
Thread piping**

Symbol	Port size	Applicable series
01	1/8	SY3000
02	1/4	SY5000
02	1/4	SY7000

Thread type

	Nil	Rc	CE-compliant
	F	G	Nil
	N	NPT	Q
	T	NPTF	CE-compliant

* For DC only.

One-touch fitting (Metric size)

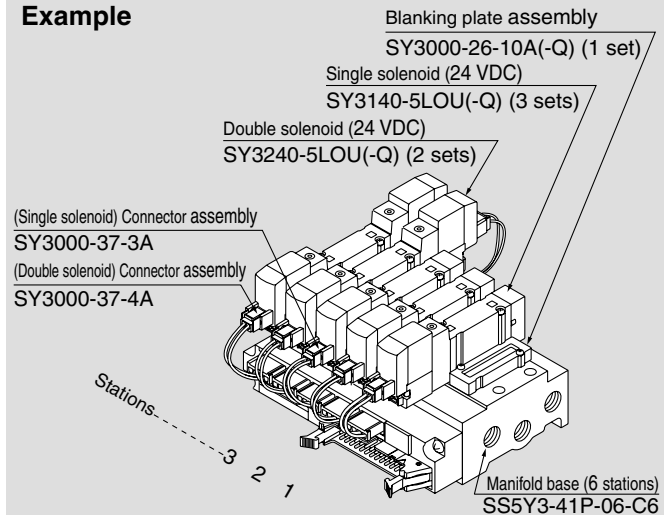
Symbol	Port size	Applicable series
C4	One-touch fitting for ø4	SY3000
C6	One-touch fitting for ø6	SY3000
C6	One-touch fitting for ø6	SY5000
C8	One-touch fitting for ø8	SY5000
C10	One-touch fitting for ø10	SY7000

One-touch fitting (Inch size)

Symbol	Port size	Applicable series
N3	One-touch fitting for ø5/32"	SY3000
N7	One-touch fitting for ø1/4"	SY3000
N7	One-touch fitting for ø1/4"	SY5000
N9	One-touch fitting for ø5/16"	SY5000
N11	One-touch fitting for ø3/8"	SY7000

How to Order Manifold Assembly (Example)

Example

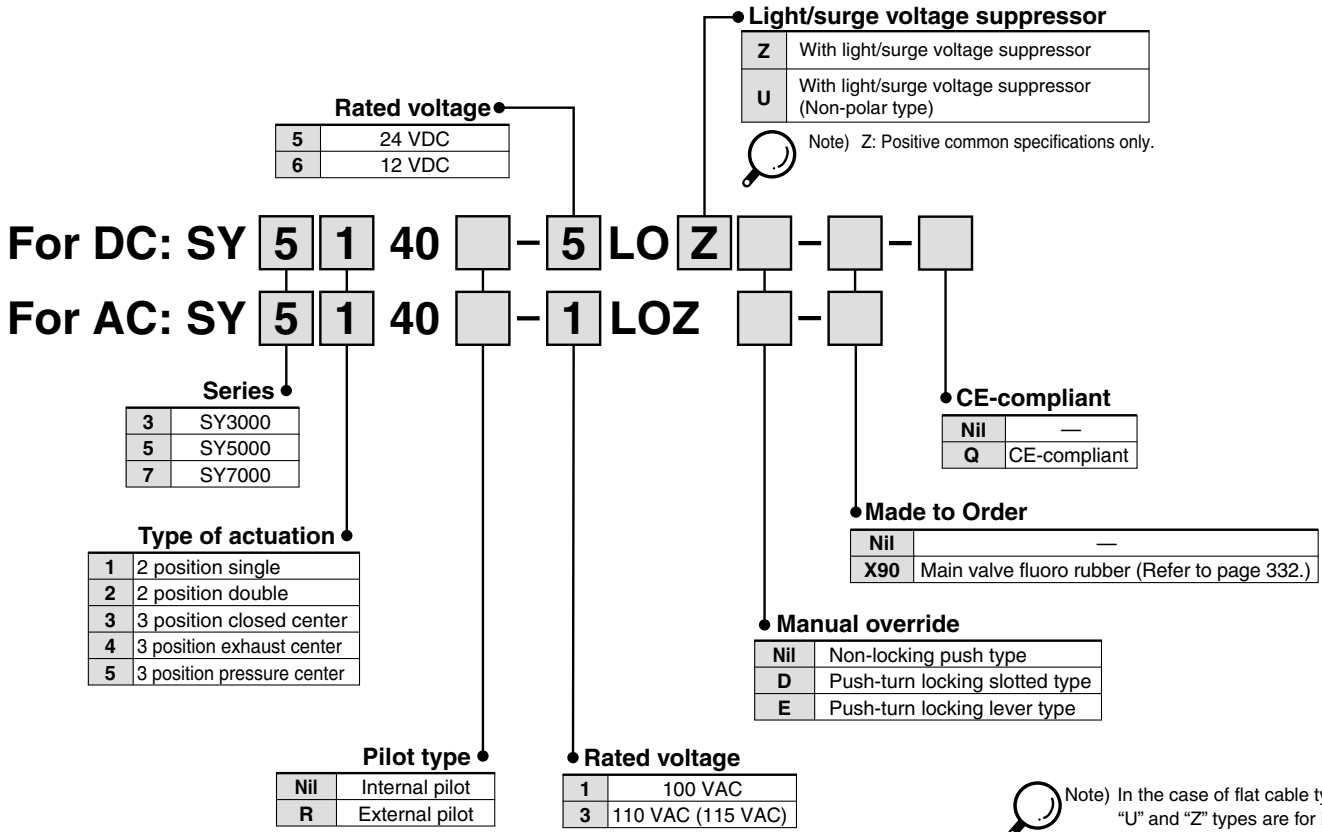


- SS5Y3-41P-06-C6 ... 1 set (Type 41P, 6-station manifold base part no.)
- * SX3000-26-10A 1 set (Blanking plate assembly part no.)
- * SY3140-5LOU 3 sets (Single solenoid part no.)
- * SY3240-5LOU 2 sets (Double solenoid part no.)
- * SY3000-37-3A 3 sets (Connector assembly part no.)
- * SY3000-37-4A 2 sets (Connector assembly part no.)

→ The asterisk denotes the symbol for assembly.
Prefix it to the part nos. of the solenoid valve, etc.

Add the valve and option part number under the manifold base part number. In the case of complex arrangement, specify them on the manifold specification sheet.

How to Order Valve



- SJ
- SY**
- SV
- SYJ
- SZ
- VP4
- S0700
- VQ
- VQ4
- VQ5
- VQC
- VQZ
- SQ
- VFS
- VFR
- VQ7

How to Order Connector Assembly

For 12, 24 VDC

Specifications	For SY3000	For SY5000/7000
For single solenoid	SY3000-37-3A	SY5000-37-3A
Double solenoid, 3 position type	SY3000-37-4A	SY5000-37-4A
Single with spacer assembly	SY5000-37-3A	SY5000-37-5A
Double, 3 position with spacer assembly	SY3000-37-6A	SY5000-37-6A

For 100 VAC

Specifications	For SY3000	For SY5000/7000
For single solenoid	SY3000-37-32A	SY5000-37-15A
Double solenoid, 3 position type	SY3000-37-33A	SY5000-37-16A
Single with spacer assembly	SY5000-37-15A	SY5000-37-17A
Double, 3 position with spacer assembly	SY3000-37-34A	SY5000-37-18A

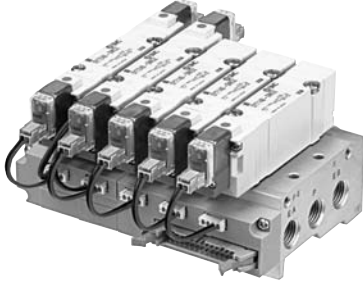
For 100 VAC (115 VAC)

Specifications	For SY3000	For SY5000/7000
For single solenoid	SY3000-37-35A	SY5000-37-19A
Double solenoid, 3 position type	SY3000-37-36A	SY5000-37-20A
Single with spacer assembly	SY5000-37-19A	SY5000-37-21A
Double, 3 position with spacer assembly	SY3000-37-37A	SY5000-37-22A

Flat Ribbon Cable Manifold Specifications

- Multiple valve wiring is simplified through the use of the flat cable connector.
- Clean appearance

In the case of a flat ribbon cable type, each valve is wired on the print board of manifold base to allow the external wiring to be piped all together with 26 pins MIL connector.



Model	SS5Y3-41P(-Q)	SS5Y3-42P(-Q)	SS5Y5-41P(-Q)	SS5Y5-42P(-Q)	SS5Y7-42P(-Q)
Applicable valve	SY3□40		SY5□40		
Manifold type	Single base/B mount				
P(SUP)/R(EXH)	Common SUP, Common EXH				
Valve stations	4 to 12 stations ⁽¹⁾		3 to 12 stations ^(Note 1)		
A, B port Porting specifications	Location				
	Direction				
Port size	1/8		1/4		1/4
	A, B port		1/8		1/4
Manifold base mass W (g), n: Stations	M5 x 0.8	1/8	1/8	1/4	1/4
	C4 (One-touch fitting for ø4) C6 (One-touch fitting for ø6)	C4 (One-touch fitting for ø4) C6 (One-touch fitting for ø6)	C6 (One-touch fitting for ø6) C8 (One-touch fitting for ø8)	C6 (One-touch fitting for ø6) C8 (One-touch fitting for ø8)	C10 (One-touch fitting for ø10)
Applicable flat ribbon cable connector	Flat ribbon cable connector, Socket: 26 pins MIL type with strain relief, Conforming to MIL-C-83503				
Internal wiring	In common between +COM and -COM (Z type: +COM only).				
Rated voltage ^(Note 4)	12, 24 VDC, 100, 110 VAC				

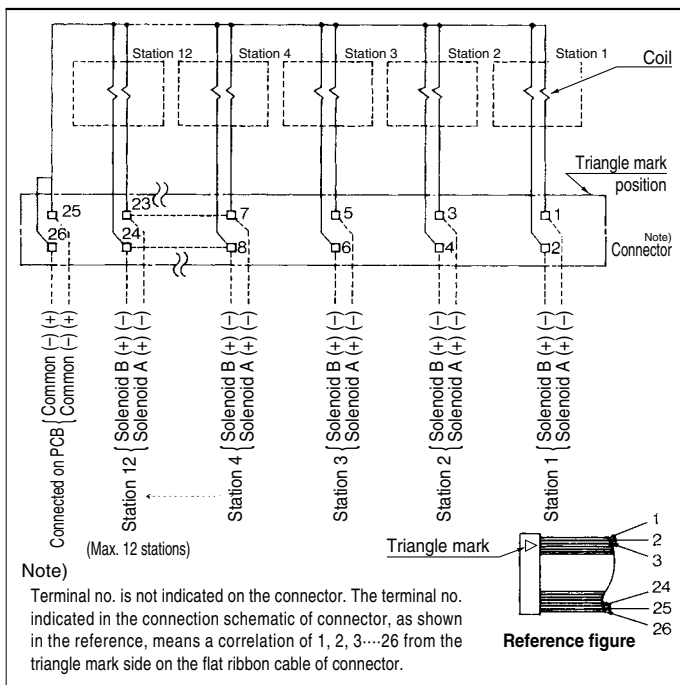
- Note 1) For more than 10 stations (more than 5 stations in case of SS5Y7), supply pressure to P port on both sides and exhaust from EA/EB port on both sides.
- Note 2) The withstand voltage specification for the wiring unit section is JIS C 0704, Grade 1 or its equivalent.
- Note 3) Refer to "Manifold Option" on page 238.
- Note 4) CE-compliant: For DC only.

Flow Characteristics

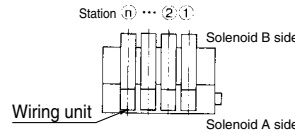
Model	Port size		Flow characteristics					
	1, 5, 3 (P, EA, EB)	4, 2 (A, B)	1 → 4/2 (P → A/B)			4/2 → 5/3 (A/B → EA/EB)		
			C (dm ³ /(s·bar))	b	Cv	C (dm ³ /(s·bar))	b	Cv
SS5Y3-41P	1/8	C6	0.75	0.19	0.18	0.81	0.23	0.20
SS5Y3-42P	1/8	C6	0.75	0.20	0.18	0.82	0.20	0.20
SS5Y5-41P	1/4	C8	1.8	0.23	0.44	1.9	0.16	0.45
SS5Y5-42P	1/4	C8	1.9	0.20	0.46	1.9	0.12	0.43
SS5Y7-42P	1/4	C10	3.0	0.25	0.75	3.0	0.12	0.66

Note) The value is for manifold base with 5 stations and individually operated 2 position type.

Internal Wiring of Manifold (Non-polar type)



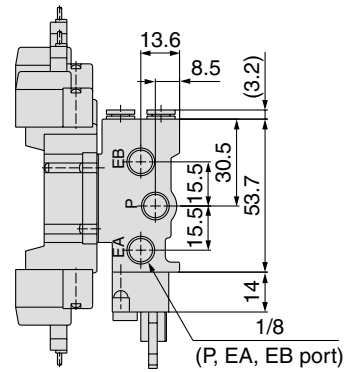
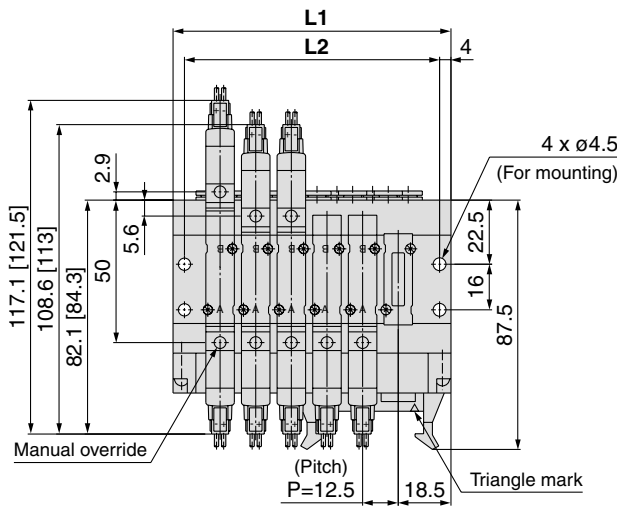
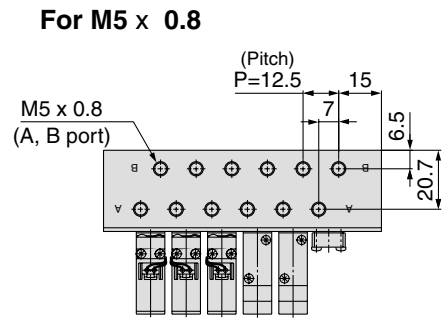
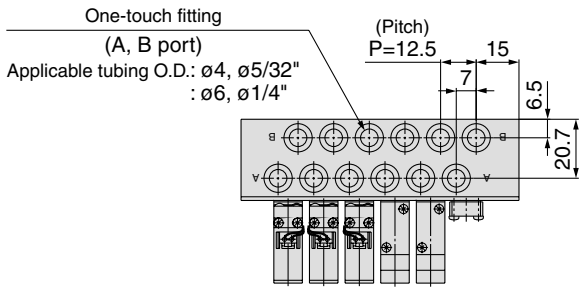
- For more than 10 stations, both poles of the common should be wired.
- For single solenoid, connect to the solenoid A side.
- The maximum number of stations that can be accommodated is 12. For more stations, please contact SMC.



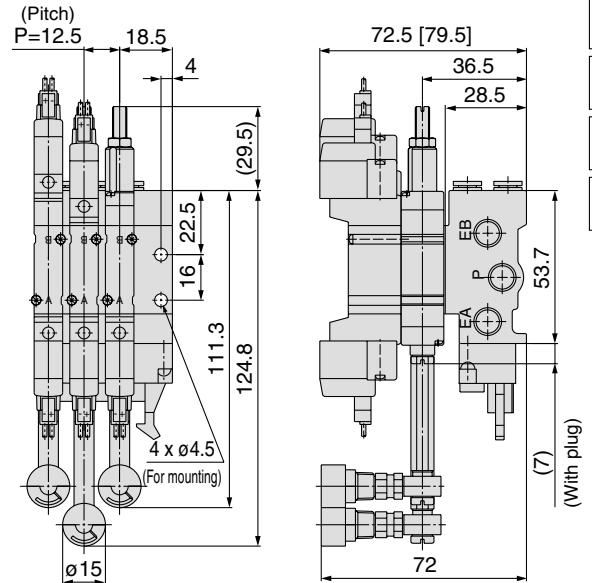
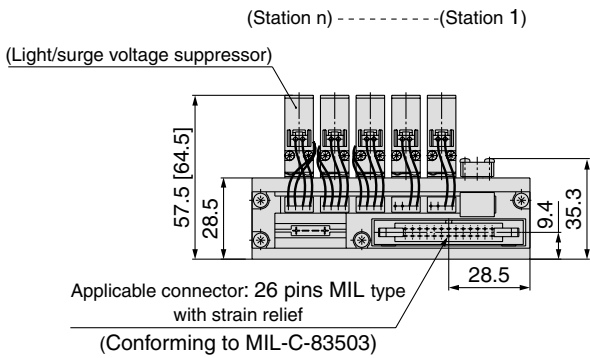
⚠ Caution

- For non-polar (U) valves, the electrical DC connections can be used with either positive and negative COM. For type (Z), only use with positive COM as the valve does not operate correctly when used with negative COM.

SY3000: SS5Y3-41P- Stations -M5, C4, N3 **C6, N7**

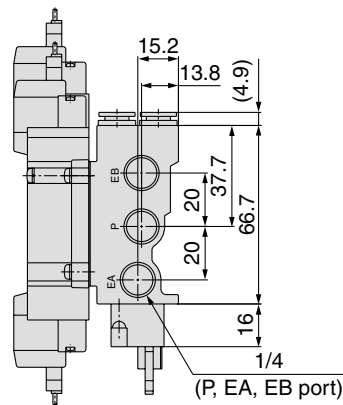
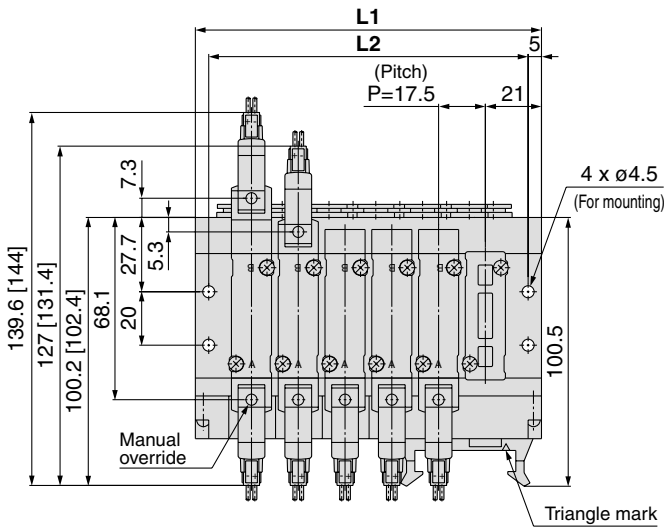
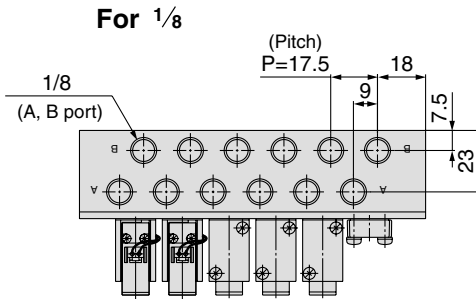
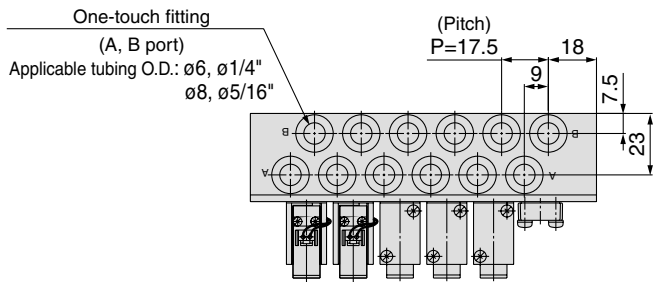


With interface regulator (with gauge)

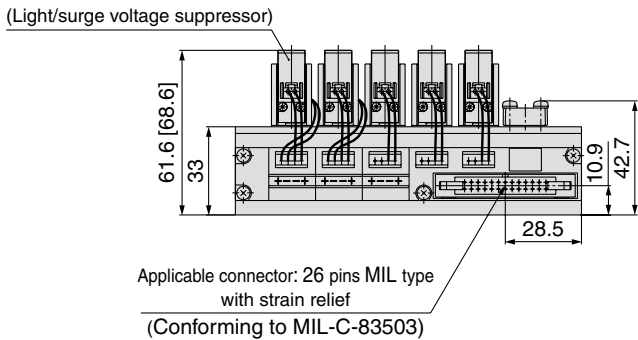


Stations n	4	5	6	7	8	9	10	11	12
L1	72.5	85	97.5	110	122.5	135	147.5	160	172.5
L2	64.5	77	89.5	102	114.5	127	139.5	152	164.5

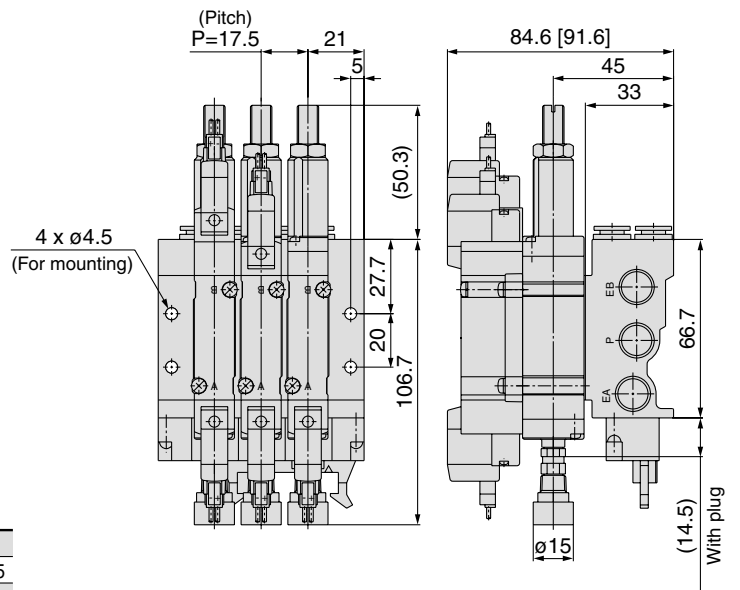
- SJ
- SY**
- SV
- SYJ
- SZ
- VP4
- S0700
- VQ
- VQ4
- VQ5
- VQC
- VQZ
- SQ
- VFS
- VFR
- VQ7



(Station n) ----- (Station 1)

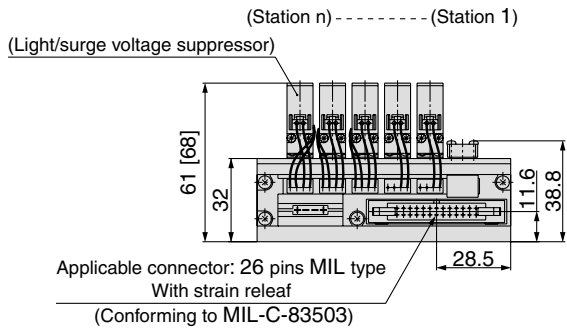
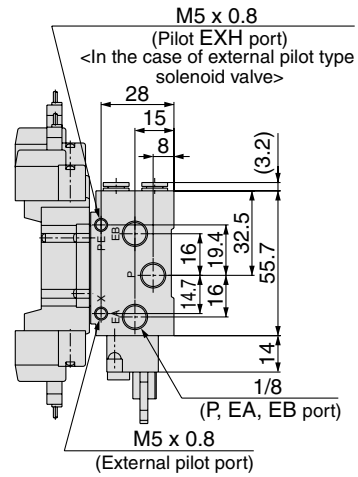
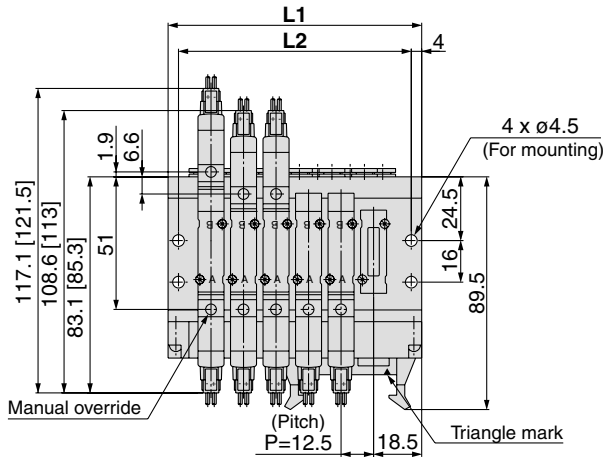
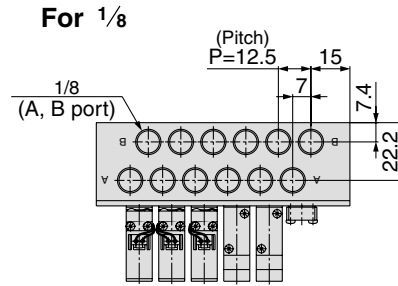
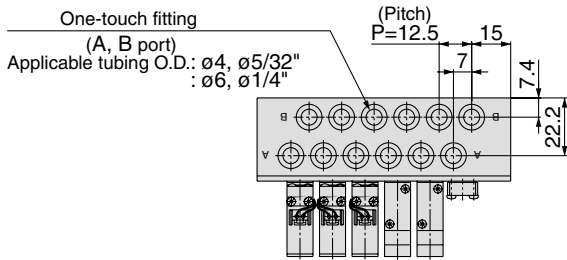


With interface regulator (with gauge)

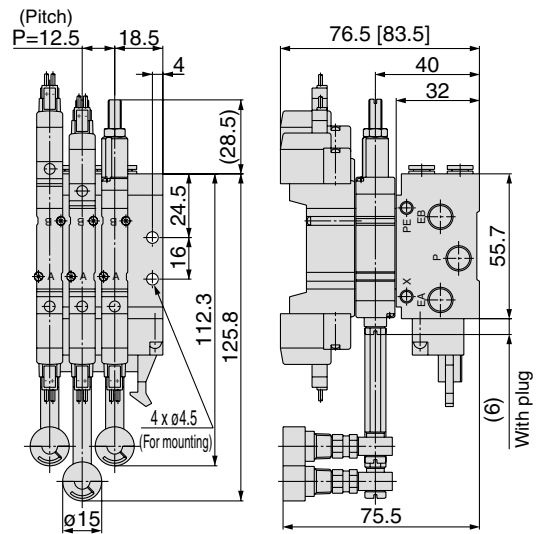


Stations n	3	4	5	6	7	8	9	10	11	12
L1	77	94.5	112	129.5	147	164.5	182	199.5	217	234.5
L2	67	84.5	102	119.5	137	154.5	172	189.5	207	224.5

SY3000: SS5Y3-42P- Stations -01, C4, N3
C6, N7



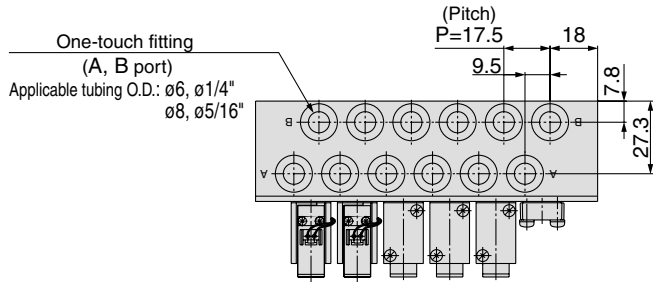
With interface regulator (with gauge)



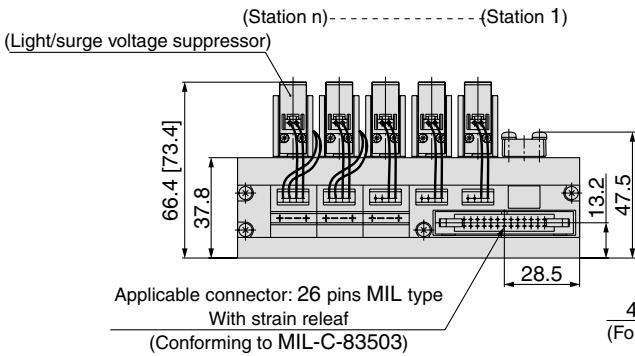
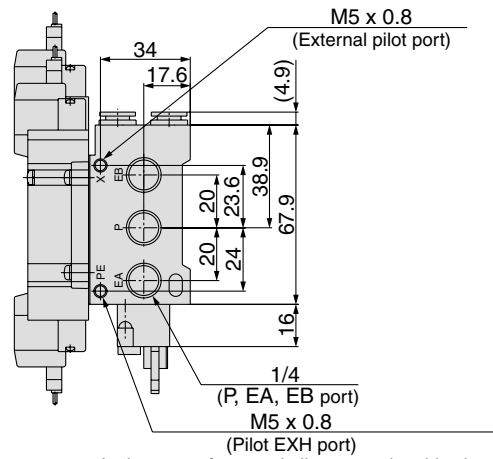
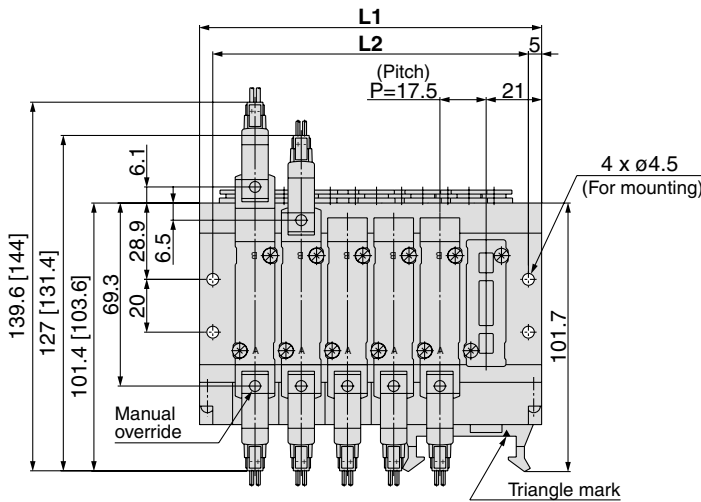
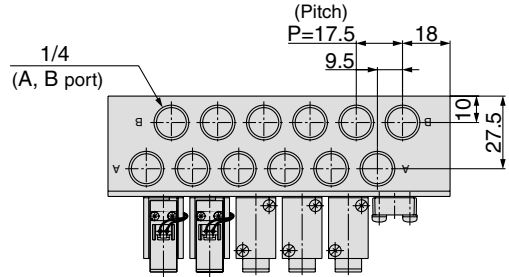
Stations n	4	5	6	7	8	9	10	11	12
L1	72.5	85	97.5	110	122.5	135	147.5	160	172.5
L2	64.5	77	89.5	102	114.5	127	139.5	152	164.5

- SJ
- SY
- SV
- SYJ
- SZ
- VP4
- S0700
- VQ
- VQ4
- VQ5
- VQC
- VQZ
- SQ
- VFS
- VFR
- VQ7

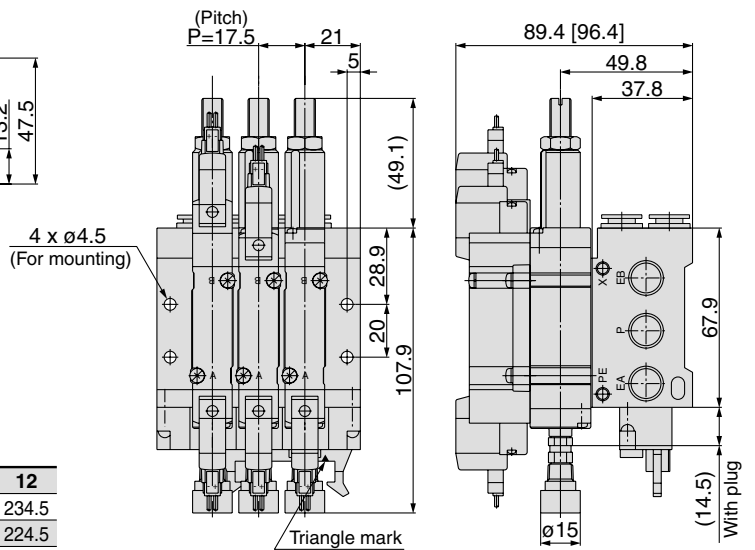
Grommet (G)



For $1/4$



With interface regulator (with gauge)



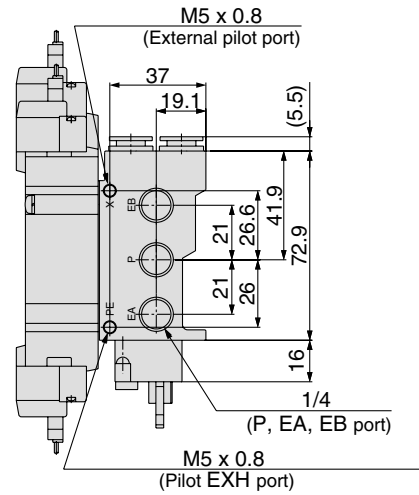
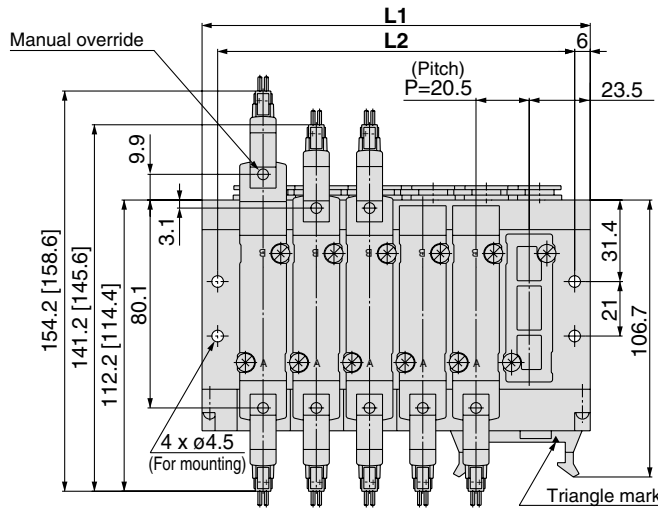
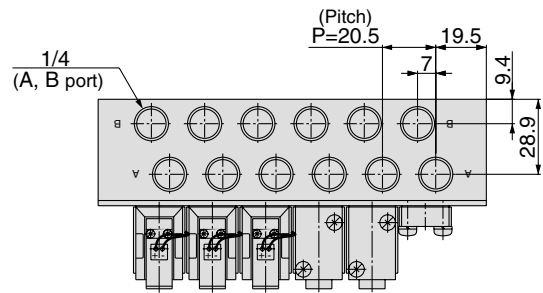
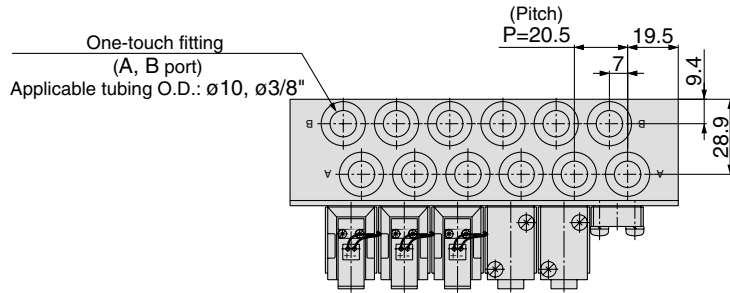
Stations n	3	4	5	6	7	8	9	10	11	12
L1	77	94.5	112	129.5	147	164.5	182	199.5	217	234.5
L2	67	84.5	102	119.5	137	154.5	172	189.5	207	224.5

SY7000: SS5Y7-42P- Stations -02, C10, N11



Grommet (G)

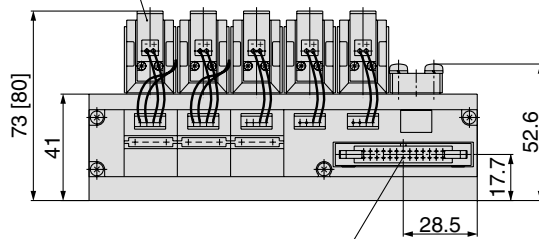
For 1/4



<In the case of external pilot type solenoid valve>

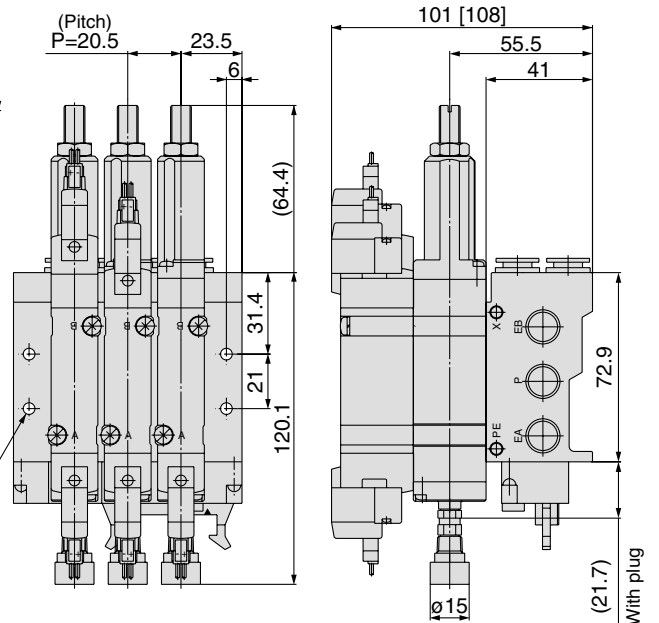
(Station n) ----- (Station 1)

(Light/surge voltage suppressor)



Applicable connector: 26 pins MIL type
With strain relief
(Conforming to MIL-C-83503)

With interface regulator (with gauge)



Stations n	3	4	5	6	7	8	9	10	11	12
L1	88	108.5	129	149.5	170	190.5	211	231.5	252	272.5
L2	76	96.5	117	137.5	158	178.5	199	219.5	240	260.5

4 x ø4.5
(For mounting)

- SJ
- SY**
- SV
- SYJ
- SZ
- VP4
- S0700
- VQ
- VQ4
- VQ5
- VQC
- VQZ
- SQ
- VFS
- VFR
- VQ7

5 Port Solenoid Valve Base Mounted Manifold Stacking Type/Flat Ribbon Cable

Series SY9000



Type **43P**

How to Order Manifold

SS5Y9-43P-05 U - C8 - - -

Manifold series

9	SY9000
---	--------

Valve stations

Symbol	Stations
04	4 stations
⋮	⋮
12	12 stations

* This also includes the number of blanking plate assemblies.

Thread type

Nil	Rc
F	G
N	NPT
T	NPTF

Option

Symbol	Mounting
Nil	Direct mounting
D	DIN rail mounting (with DIN rail)
DO	DIN rail mounting (without DIN rail)
D*	When a longer DIN rail is desired than the specified stations, specify the station number to be required into * mark.

P, R port outlets

Symbol	Port outlet	Applicable stations
U	U side	4 to 10 stations
D	D side	
B	Both sides	

SUP/EXH block assembly specifications

Symbol	Specifications
Nil	Standard/Internal pilot specification
R	External pilot specification
S	Internal pilot/Built-in silencer
RS	External pilot/Built-in silencer

A, B port size

Symbol	Port size
02	1/4
03	3/8

One-touch fitting (Metric size)

Symbol	Port size
C8	One-touch fitting for ø8
C10	One-touch fitting for ø10
C12	One-touch fitting for ø12
M	Mixed

One-touch fitting (Inch size)

Symbol	Port size
N9	One-touch fitting for ø5/16"
N11	One-touch fitting for ø3/8"
M	Mixed

* In the case of mixed specifications (M), indicate separately on the manifold specification sheet.

CE-compliant

Nil	—
Q	CE-compliant

* For DC only.

How to Order Manifold Assembly (Example)

Example

Example

- Lead wire cover SY9000-41-1
- Double solenoid (24 VDC) SY9240-5LOU (2 sets)
- Single solenoid (24 VDC) SY9140-5LOU (2 sets)
- (Single solenoid) Connector assembly SY9000-37-1A
- (Double solenoid) Connector assembly SY9000-37-2A
- Blanking plate assembly SY9000-26-4A (1 set)
- Cylinder port size C12: With one-touch fitting for ø12
- Manifold base (5 stations) SS5Y9-43P-05B-C12

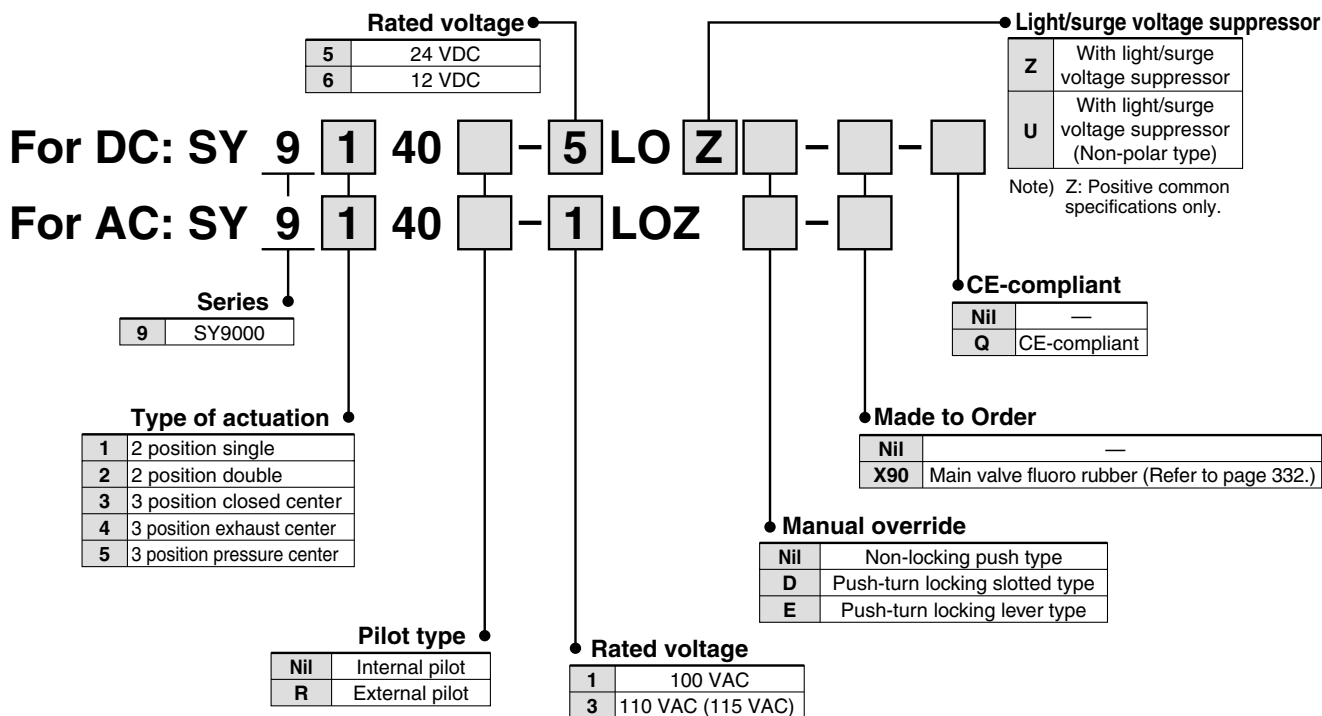
SS5Y9-43P-05B-C12-1 set (Type 43P, 5-station manifold base part no.)

- * SY9000-26-4A 1 set (Blanking plate assembly part no.)
- * SY9140-5LOU 2 sets (Single solenoid part no.)
- * SY9240-5LOU 2 sets (Double solenoid part no.)
- * SY9000-37-1A 2 sets (Connector assembly part no.)
- * SY9000-37-2A 2 sets (Connector assembly part no.)
- * SY9000-41-1 1 set (Lead wire cover)

The asterisk denotes the symbol for assembly. Prefix it to the part nos. of the solenoid valve, etc.

Add the valve and option part number under the manifold base part number. In the case of complex arrangement, specify them on the manifold specification sheet.

How to Order Valve



Note) In the case of flat cable type, "U" and "Z" types are for DC specifications and "Z" type is for AC specifications. "Z" type for DC is positive common specification only. For the other combination, please contact SMC.

How to Order Connector Assembly

For 12, 24 VDC

Specifications	For SY9000
For single solenoid	SY9000-37-1A
Double solenoid, 3 position type	SY9000-37-2A
Single with spacer assembly	SY9000-37-3A
Double, 3 position with spacer assembly	SY9000-37-4A

For 100 VAC

Specifications	For SY9000
For single solenoid	SY9000-37-1B
Double solenoid, 3 position type	SY9000-37-2B
Single with spacer assembly	SY9000-37-3B
Double, 3 position with spacer assembly	SY9000-37-4B

For 110 VAC (115 VAC)

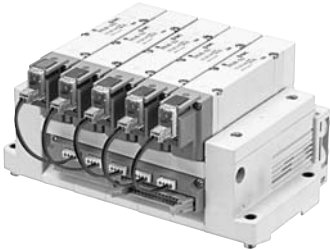
Specifications	For SY9000
For single solenoid	SY9000-37-1C
Double solenoid, 3 position type	SY9000-37-2C
Single with spacer assembly	SY9000-37-3C
Double, 3 position with spacer assembly	SY9000-37-4C

SJ
SY
SV
SYJ
SZ
VP4
S0700
VQ
VQ4
VQ5
VQC
VQZ
SQ
VFS
VFR
VQ7

- Multiple valve wiring is simplified through the use of the flat ribbon cable connector.

• Clean appearance

In the case of a flat ribbon cable type, each valve is wired on the print board of manifold base to allow the external wiring to be piped all together with 26 pins MIL connector.



Flat Ribbon Cable Manifold Specifications

Model		SS5Y9-43P
Applicable valve		SY9□40
Manifold type		Stacking type
P (SUP)/R (EXH)		Common SUP, Common EXH
Valve stations		4 to 12 stations ^{Note 1)}
A, B port Porting specifications	Location	Base
	Direction	Side
Port size	P, EA, EB port	C12 (One-touch fitting for ø12)
	A, B port	1/4 3/8 C8 (One-touch fitting for ø8) C10 (One-touch fitting for ø10) C12 (One-touch fitting for ø12)
Manifold base mass W (g) n: Stations		W = 114n + 343
Applicable flat ribbon cable connector		Flat ribbon cable connection, Socket: 26 pins MIL with strain relief, Conforming to MIL-C-83503
Internal wiring		In common between +COM and -COM (Z type: +COM only)
Rated voltage ^{Note 4)}		12, 24 VDC, 100, 110 VAC

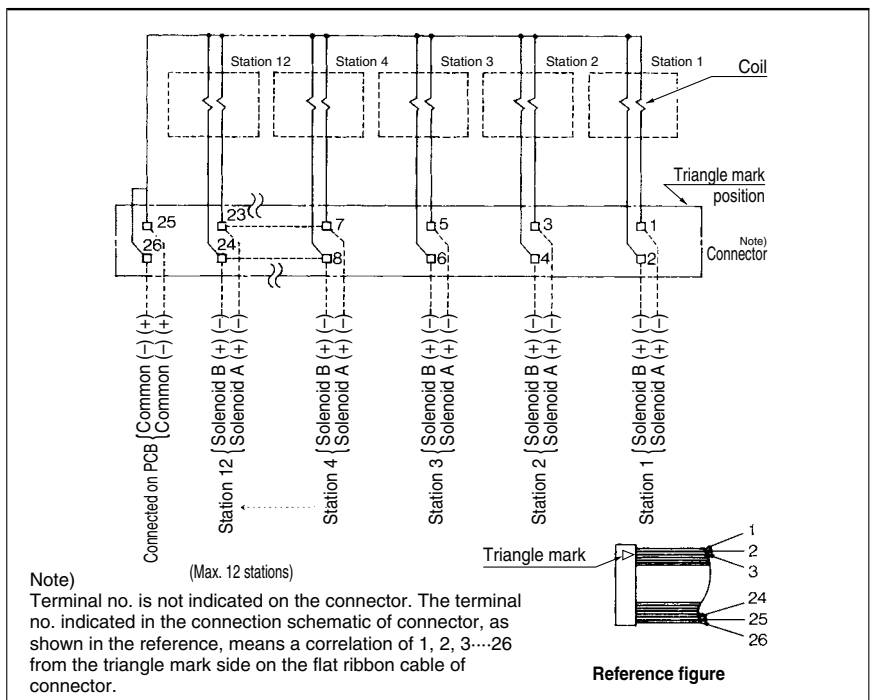
- Note 1) For more than 10 stations, supply pressure to P port on both sides and exhaust from EA/EB port on both sides.
- Note 2) The withstand voltage specification for the wiring unit section is JIS C 0704, Grade 1 or its equivalent.
- Note 3) Refer to "Manifold Option" on page 238.
- Note 4) CE-compliant: For DC only.

Flow Characteristics

Model	Port size		Flow characteristics					
	1, 5, 3 (P, EA, EB)	4, 2 (A, B)	1 → 4/2 (P → A/B)			4/2 → 5/3 (A/B → EA/EB)		
			C (dm³/(s·bar))	b	Cv	C (dm³/(s·bar))	b	Cv
SS5Y9-43P	C12	C12	6.4	0.29	1.6	7.3	0.29	1.8

Note) The value is for manifold base with 5 stations and individually operated 2 position type.

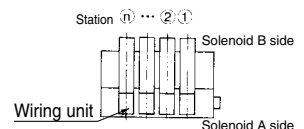
Internal Wiring of Manifold (Non-polar type)



Caution

- For non-polar (U) valves, the electrical DC connections can be used with either positive and negative COM. For type (Z), only use with positive COM as the valve does not operate correctly when used with negative COM.

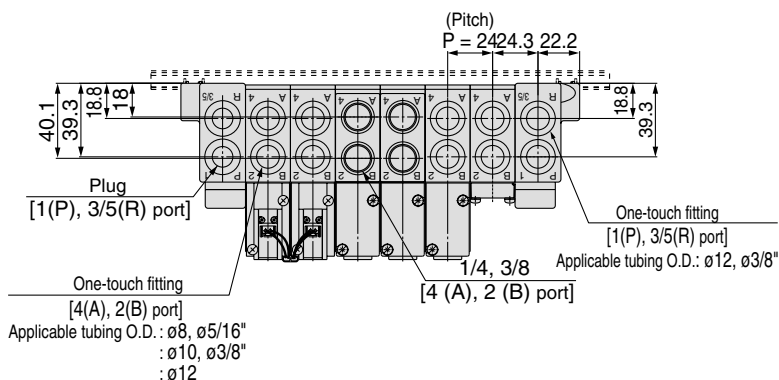
- For more than 10 stations, both poles of the common should be wired.
- For single solenoid, connect to the solenoid A side.
- The maximum number of stations that can be accommodated is 12. For more stations, please contact SMC.



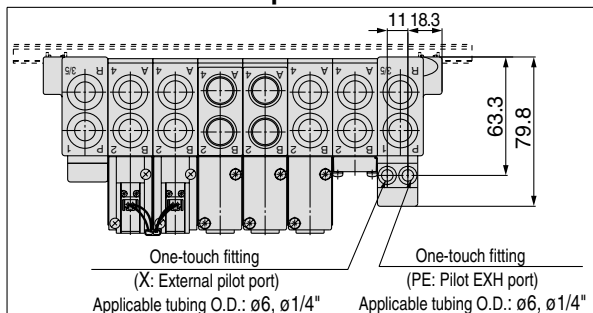
SY9000: SS5Y9-43P- Stations D ⁰² ₀₃ C8, N9 C10, N11 C12 (-D)

[] : AC

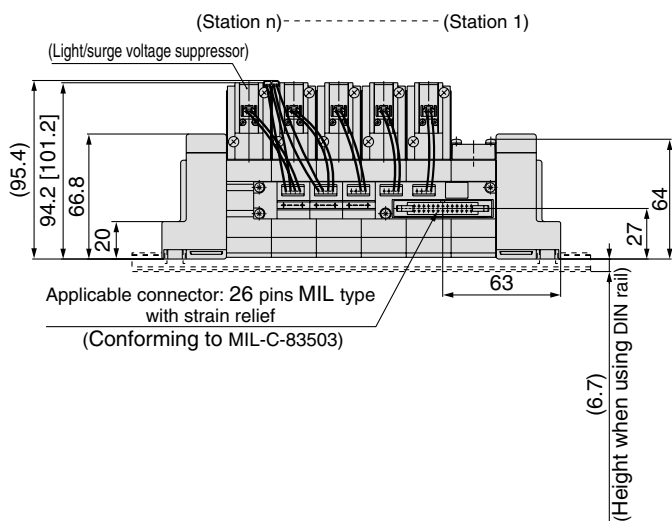
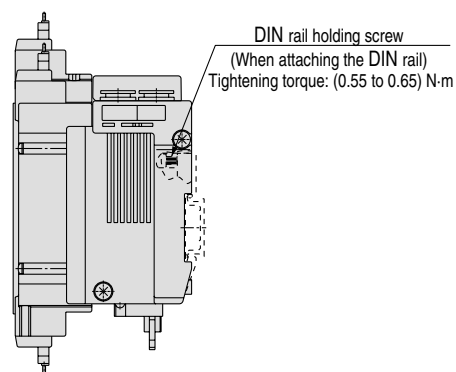
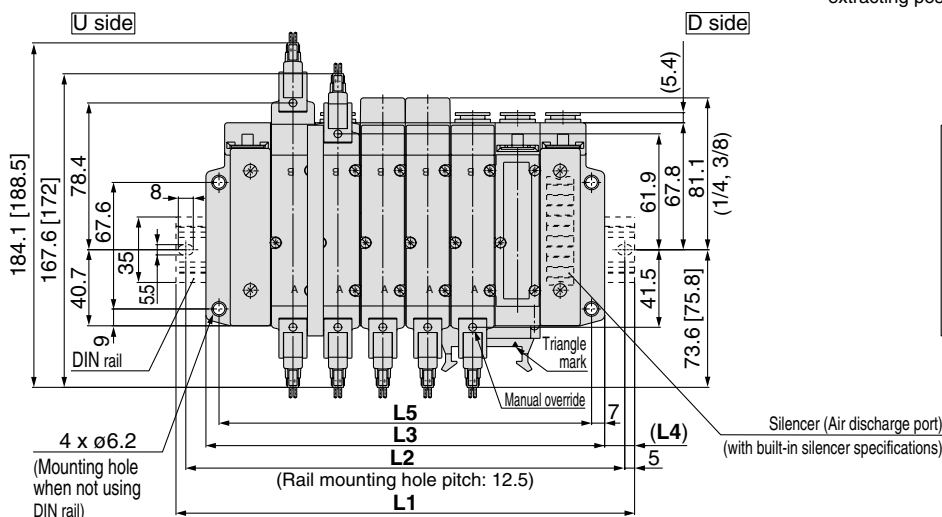
* When P, R port outlets are indicated on the D side, the P, R ports on the opposite side are plugged.



With External Pilot Specifications



* Air discharge port on the built-in silencer type and the external pilot's extracting position are in the D side.



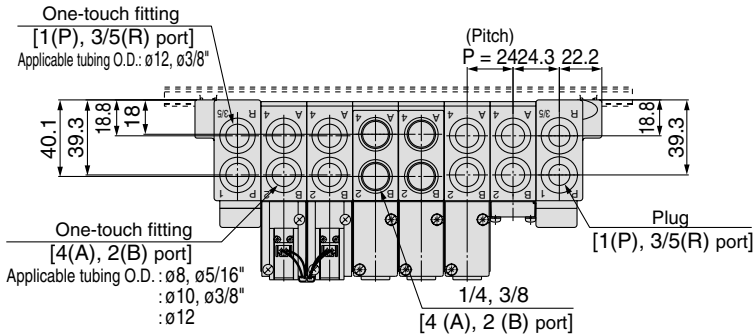
Stations n	4 stations	5	6	7	8	9	10 stations
L1	198	223	248	260.5	285.5	310.5	335.5
L2	187.5	212.5	237.5	250	275	300	325
L3	165	189	213	237	261	285	309
L4	16.5	17	17.5	12	12.5	13	13.5
L5	151	175	199	223	247	271	295

- SJ
- SY**
- SV
- SYJ
- SZ
- VP4
- S0700
- VQ
- VQ4
- VQ5
- VQC
- VQZ
- SQ
- VFS
- VFR
- VQ7

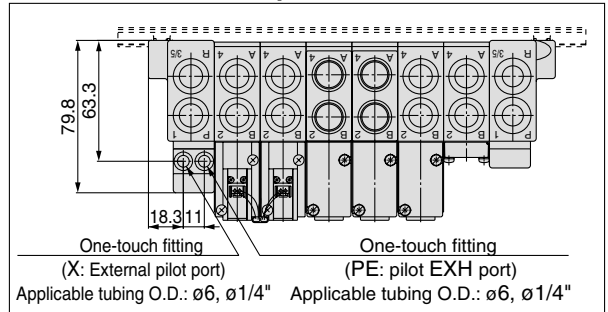
SY9000: SS5Y9-43P- Stations U ⁰² C8, N9 ⁰³ C10, N11 (-D)

[] : AC

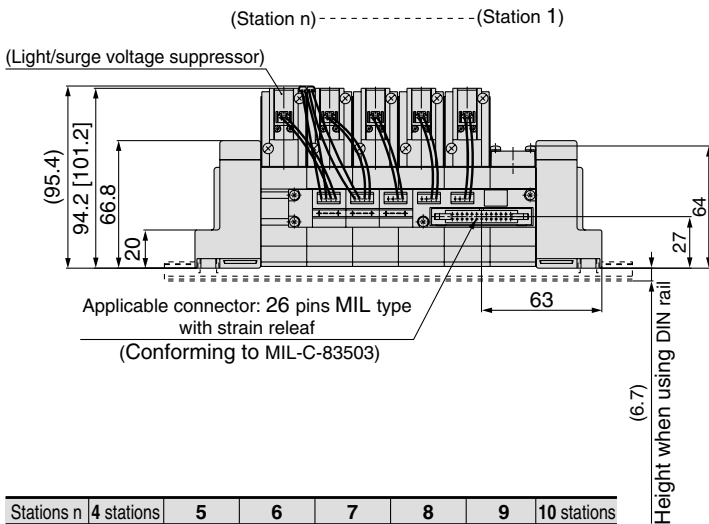
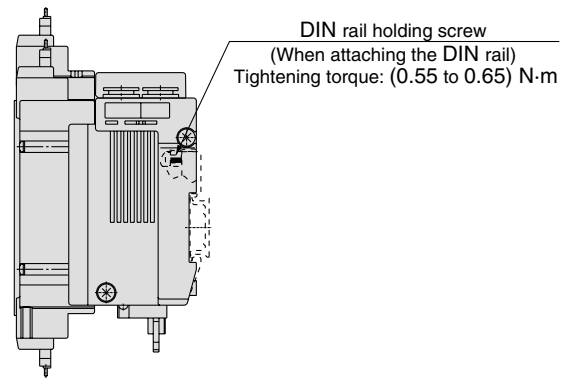
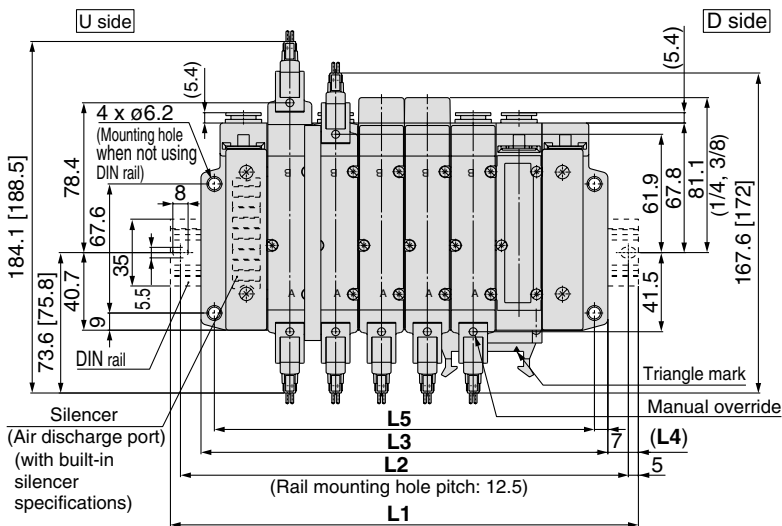
* When P, R port outlets are indicated on the U side, the P, R ports on the opposite side are plugged.



With External Pilot Specifications



* Air discharge port on the built-in silencer type and the external pilot's extracting position are in the U side.

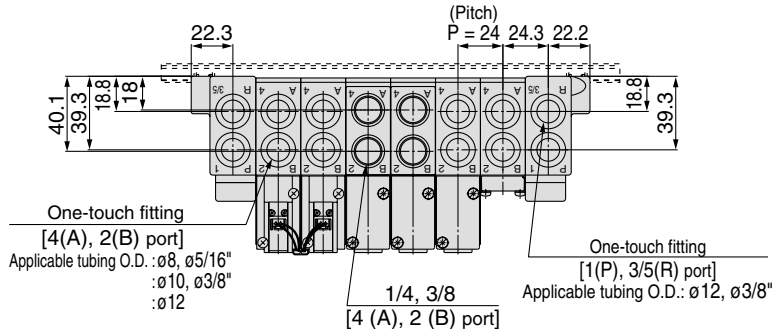


Stations n	4 stations	5	6	7	8	9	10 stations
L1	198	223	248	260.5	285.5	310.5	335.5
L2	187.5	212.5	237.5	250	275	300	325
L3	165	189	213	237	261	285	309
L4	16.5	17	17.5	12	12.5	13	13.5
L5	151	175	199	223	247	271	295

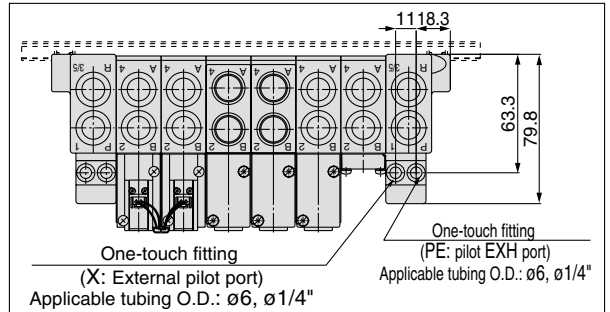
SY9000: SS5Y9-43P- Stations **B** ⁰² ₀₃ C8, N9
C10, N11 (-D)

[] : AC

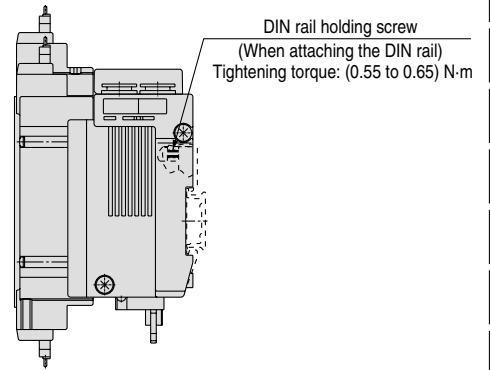
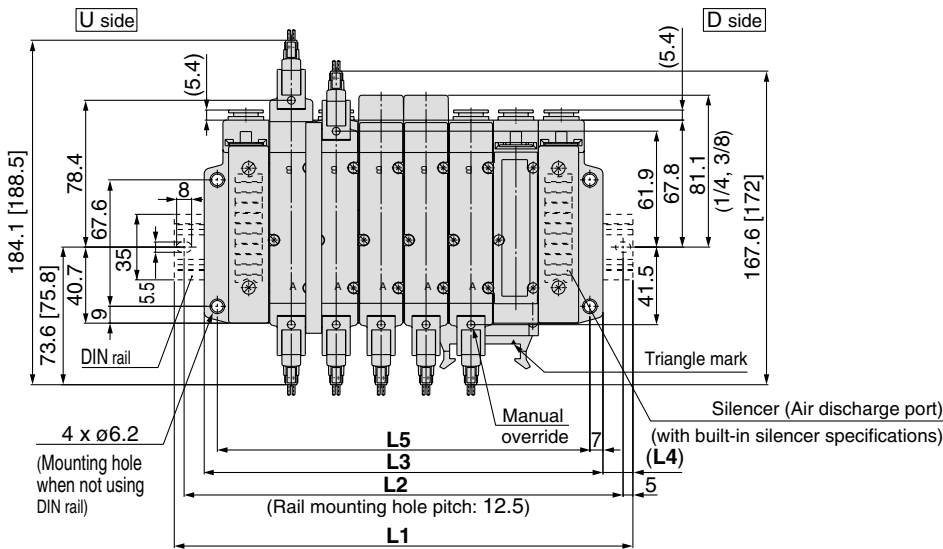
* When P, R port outlets are indicated on the B side, the P, R ports on the both sides are in the open state.



With External Pilot Specifications

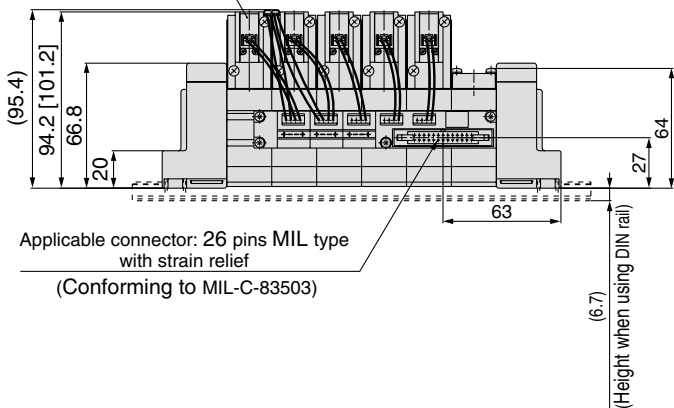


* Air discharge port on the built-in silencer type and the external pilot's extracting position are in the B side (both sides).



(Station n) ----- (Station 1)

(Light/surge voltage suppressor)



Stations n	4 stations	5	6	7	8	9	10	11	12 stations
L1	198	223	248	260.5	285.5	310.5	335.5	360.5	385.5
L2	187.5	212.5	237.5	250	275	300	325	350	375
L3	165	189	213	237	261	285	309	333	357
L4	16.5	17	17.5	12	12.5	13	13.5	14	14.5
L5	151	175	199	223	247	271	295	319	343

- SJ
- SY**
- SV
- SYJ
- SZ
- VP4
- S0700
- VQ
- VQ4
- VQ5
- VQC
- VQZ
- SQ
- VFS
- VFR
- VQ7

Type **42SA**

EX510 Gateway System Serial Transmission System Base Mounted Manifold/Integrated Type Series **SY3000/5000/7000**



How to Order Manifold

SS5Y 3 - 42SA - 03 - 01 - -

Manifold series

3	SY3000
5	SY5000
7	SY7000

SI unit

Nil	NPN output (+COM.)
N	PNP output (-COM.)

CE-compliant

Nil	—
Q	CE-compliant

Thread type

Nil	Rc
F	G
N	NPT
T	NPTF

Valve stations

Symbol	Stations	Note
03	3 stations	Double wiring ^{Note 1)}
⋮	⋮	
08	8 stations	Specified layout ^{Note 2)} (Compatible with 16 solenoid valves)
03	3 stations	
⋮	⋮	
16	16 stations	

- SS5Y3 can be set from 4 stations.
- The number of the blanking plate assembly is also included.
- Note 1) Double wiring: Use of a single solenoid will result in an unused control signal. If this is not desired, order with a specified layout.
- Note 2) Specified layout: Indicate wiring specifications on the manifold specification sheet. (Note that double and 3 position valves cannot be used where single solenoid wiring has been specified.)

A, B port size

Thread piping

01	1/8	SY3000
02	1/4	SY5000/7000

One-touch fitting (Metric size)

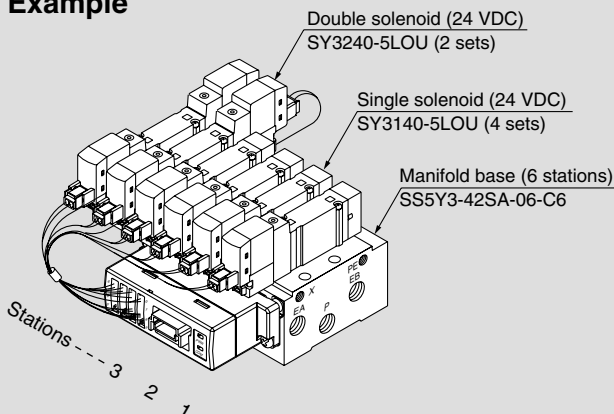
C4	One-touch fitting for ø4	SY3000
C6	One-touch fitting for ø6	
C6	One-touch fitting for ø6	SY5000
C8	One-touch fitting for ø8	
C10	One-touch fitting for ø10	SY7000

One-touch fitting (Inch size)

N3	One-touch fitting for ø5/32"	SY3000
N7	One-touch fitting for ø1/4"	
N7	One-touch fitting for ø1/4"	SY5000
N9	One-touch fitting for ø5/16"	
N11	One-touch fitting for ø3/8"	SY7000

How to Order Manifold Assembly (Example)

Example



SS5Y3-42SA-06-C6 · 1 set (42SA type 6-station manifold part no.)
 * **SY3140-5LOU** ······ 4 sets (Single solenoid part no.)
 * **SY3240-5LOU** ······ 2 sets (Double solenoid part no.)

→ The asterisk denotes the symbol for assembly. Prefix to the part no. of the solenoid valve, etc.

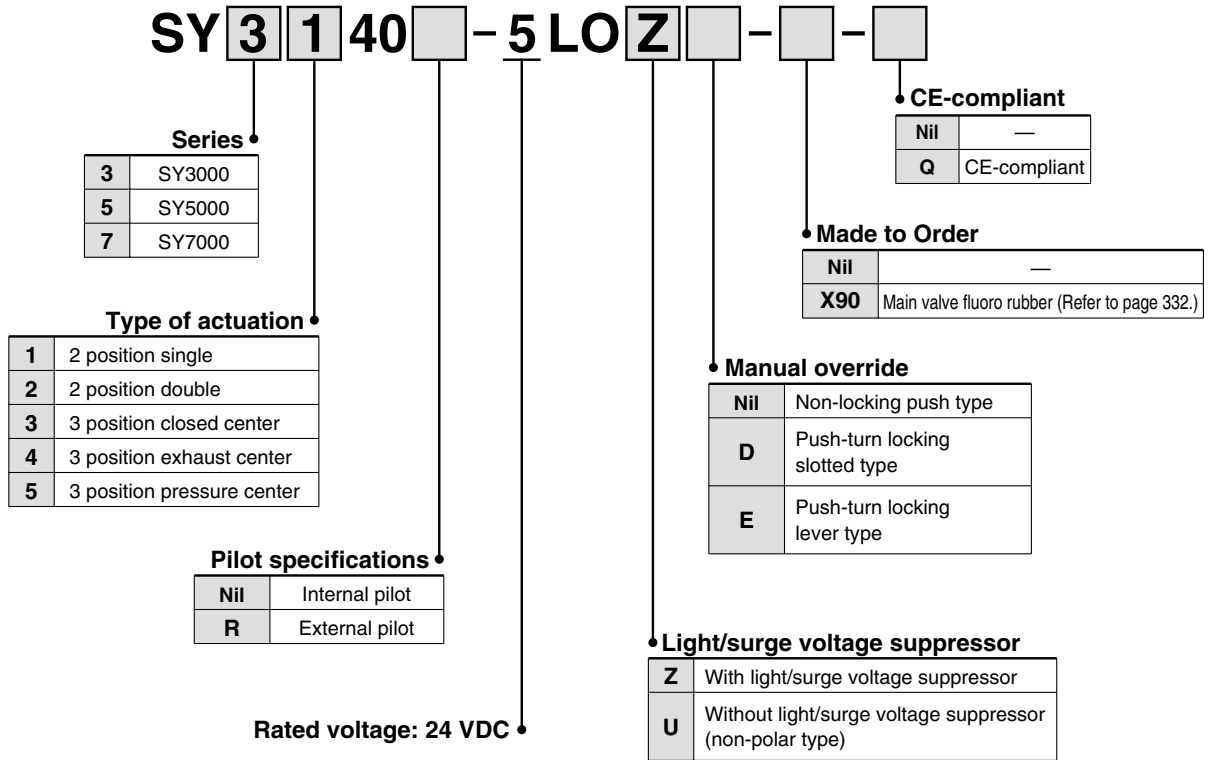
Add the valve and option part number under the manifold base part number. When entry of part numbers becomes complicated, indicate by the manifold specification sheet. For a manifold for an EX510, the length of the lead wire for a connector assembly depends on the number of stations. Therefore, the manifold assembly is shipped with the valves (including blanking plates) and connector assembly mounted on it, as the standard specification. Be sure to specify the part nos. of the solenoid valves to be mounted.

SI unit part no.

Symbol	SI unit specifications	SI unit part no.	Page
Nil	NPN output (+COM.)	EX510-S001	P.1715 to 1717
N	PNP output (-COM.)	EX510-S101	

For details of "Gateway System Serial Transmission System, Series EX510", refer to pages 1696 through to 1724.

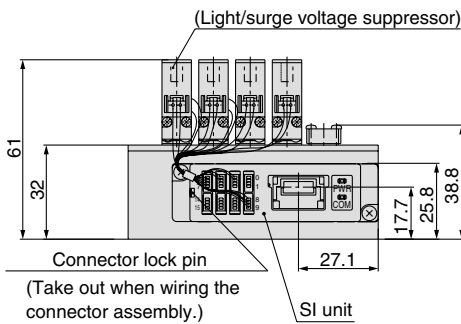
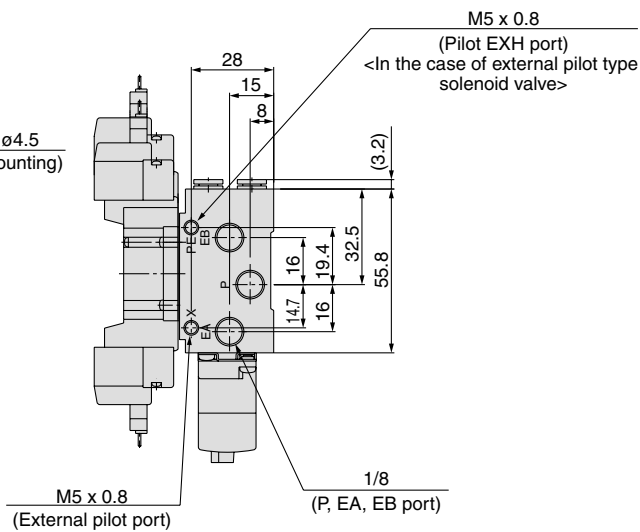
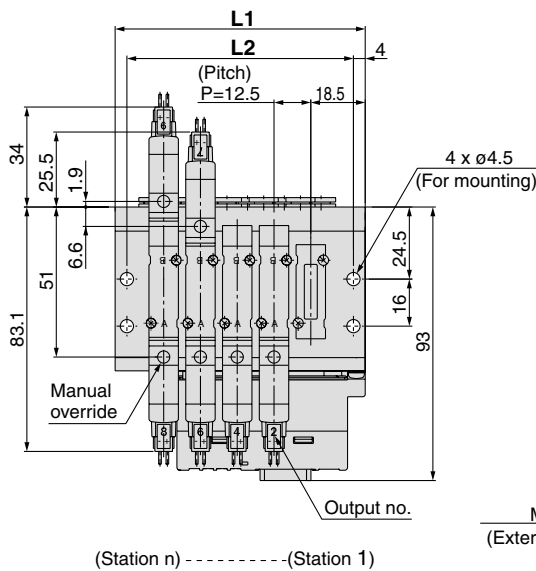
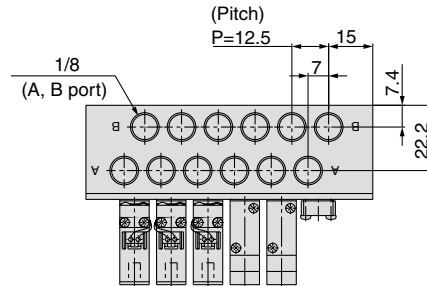
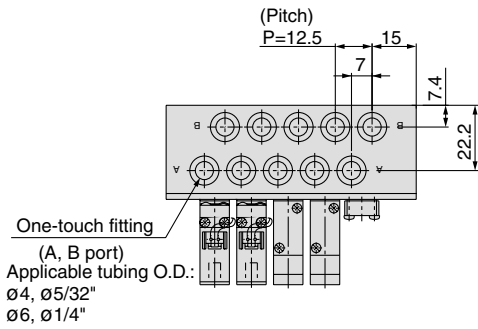
How to Order Valves



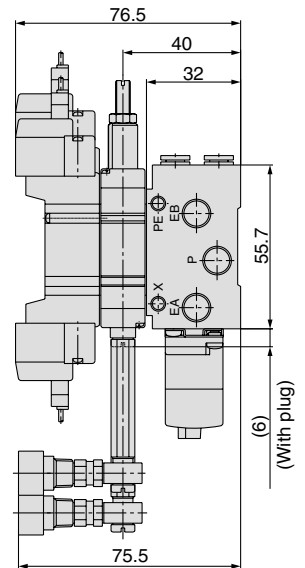
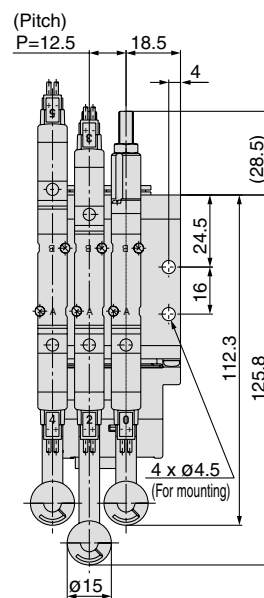
Type **42SA** Series **SY3000/5000/7000**

SY3000: SS5Y3-42SA - Stations -**01** , C4, N3
C6, N7

For 1/8

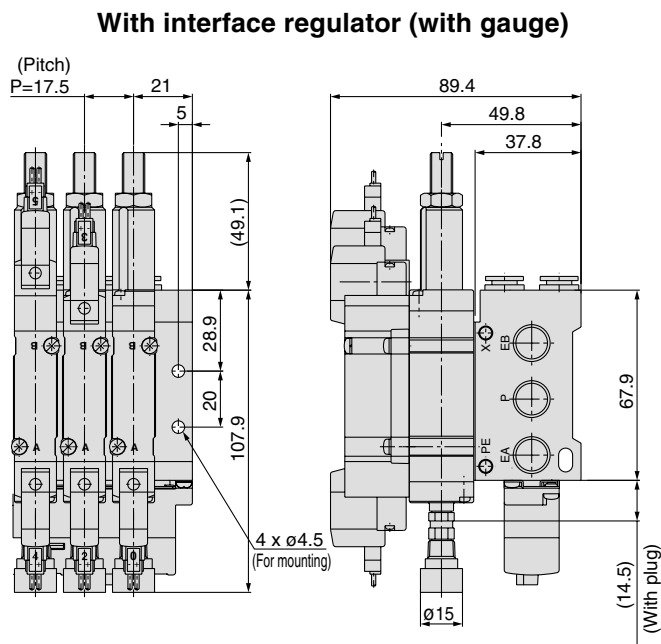
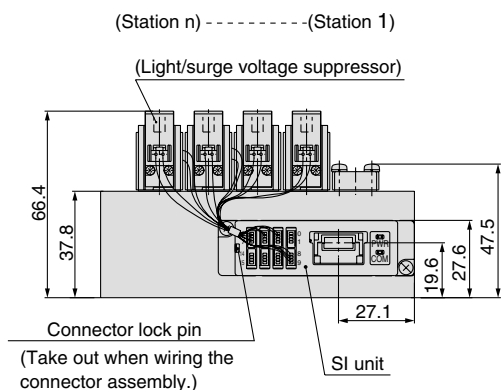
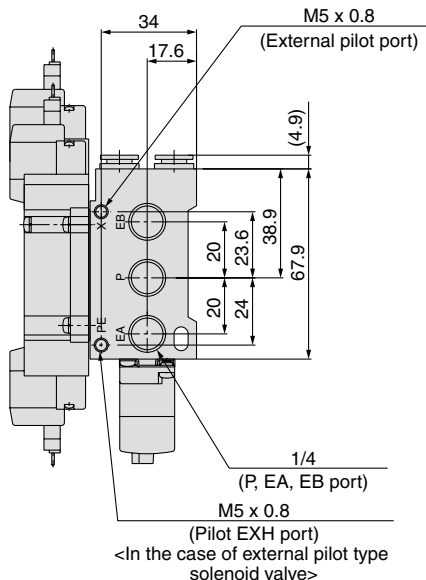
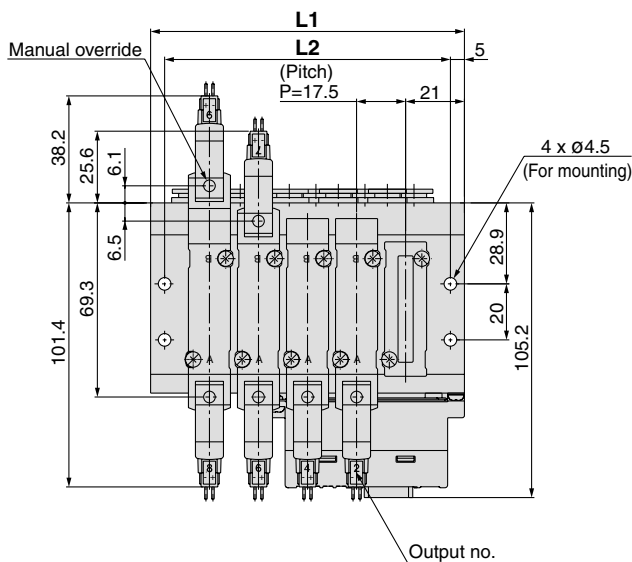
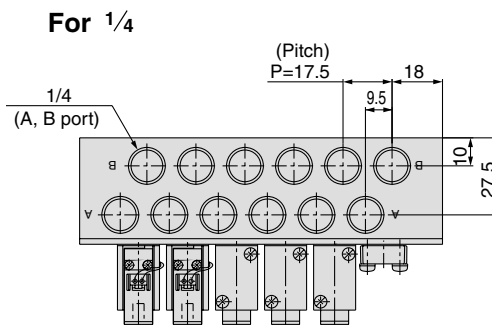
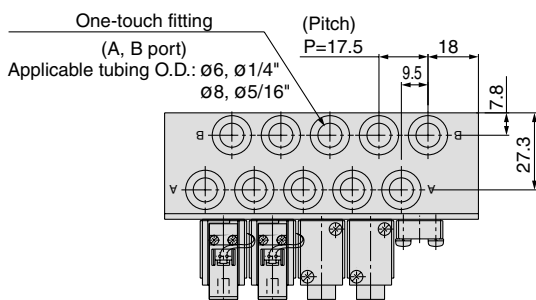


With interface regulator (with gauge)



Stations n	4 stations	5	6	7	8	9	10	11	12	13	14	15	16 stations
L1	72.5	85	97.5	110	122.5	135	147.5	160	172.5	185	197.5	210	222.5
L2	64.5	77	89.5	102	114.5	127	139.5	152	164.5	177	189.5	202	214.5

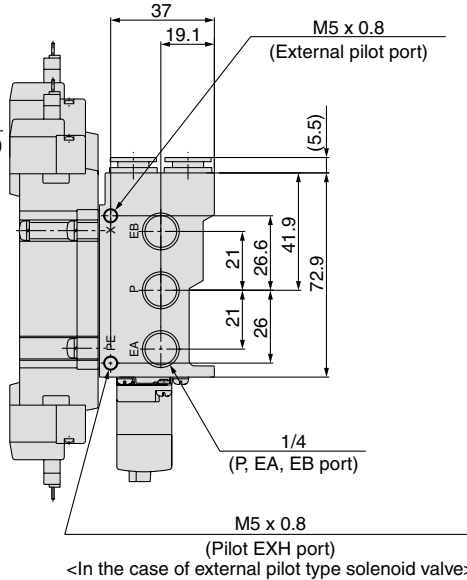
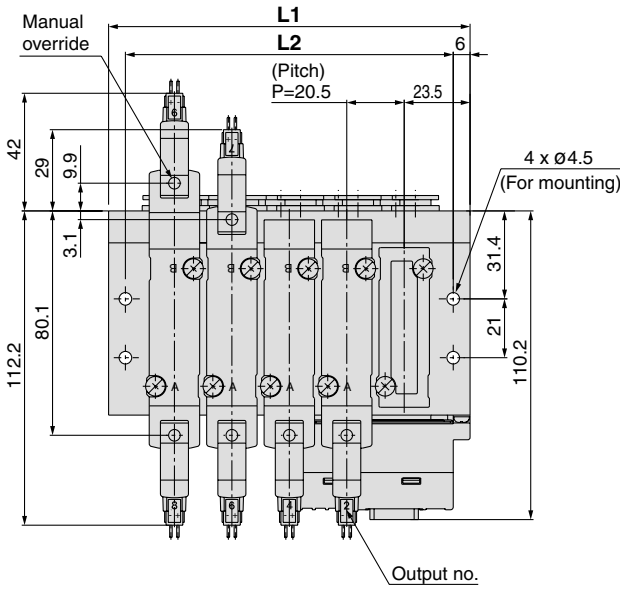
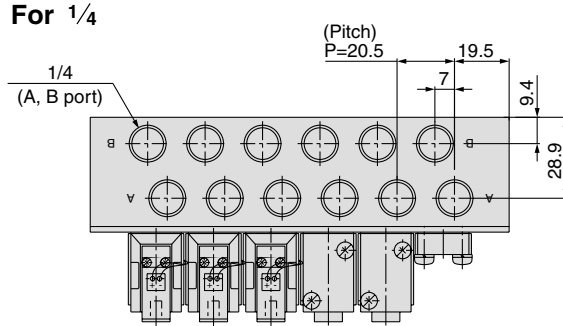
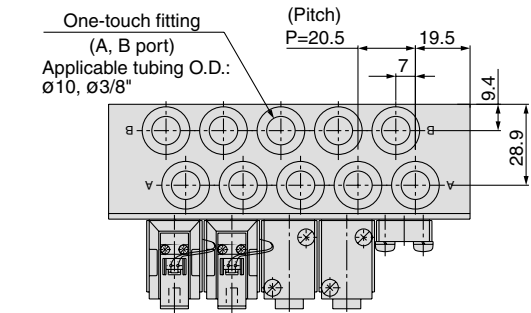
SY5000: SS5Y5-42SA - Stations -02 , C6, N7
C8, N9



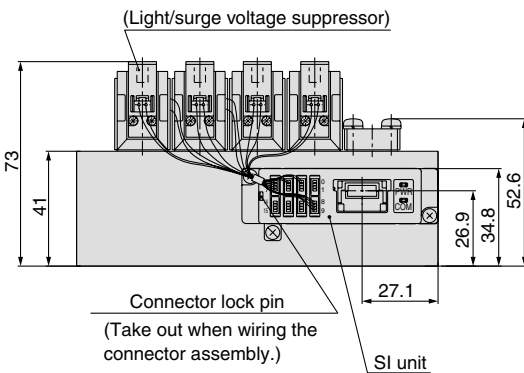
Stations n	3 stations	4	5	6	7	8	9	10	11	12	13	14	15	16 stations
L1	77	94.5	112	129.5	147	164.5	182	199.5	217	234.5	252	269.5	287	304.5
L2	67	84.5	102	119.5	137	154.5	172	189.5	207	224.5	242	259.5	277	294.5

- SJ
- SY
- SV
- SYJ
- SZ
- VP4
- S0700
- VQ
- VQ4
- VQ5
- VQC
- VQZ
- SQ
- VFS
- VFR
- VQ7

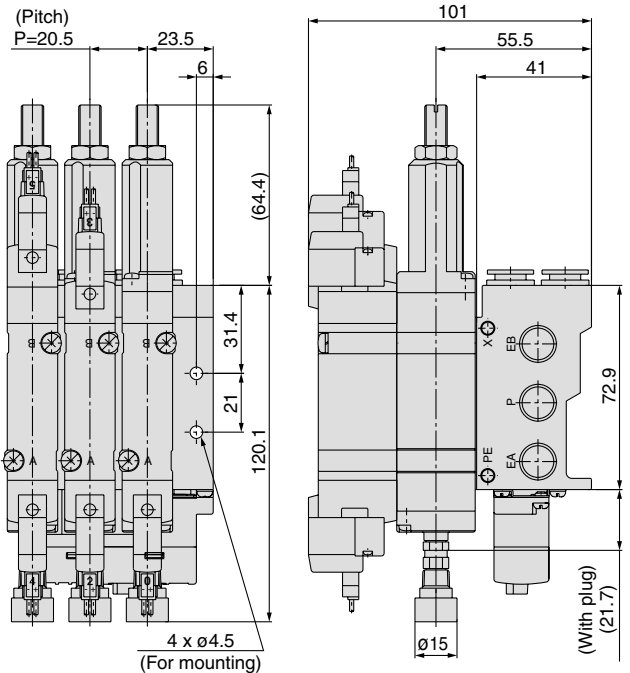
SY7000: SS5Y7-42SA - Stations -02 , C10, N11



(Station n) ----- (Station 1)



With interface regulator (with gauge)



Stations n	3 stations	4	5	6	7	8	9	10	11	12	13	14	15	16 stations
L1	88	108.5	129	149.5	170	190.5	211	231.5	252	272.5	293	313.5	334	354.5
L2	76	96.5	117	137.5	158	178.5	199	219.5	240	260.5	281	301.5	322	342.5

Type **43SA**

EX510 Gateway System Serial Transmission System Base Mounted Manifold/Stacking Type Series **SY9000** CE

How to Order Manifold

SS5Y9 - 43SA [] - **03** **U** [] - **02** [] - [] - []

SI unit

Nil	NPN output (+COM.)
N	PNP output (-COM.)

Valve stations

Symbol	Stations	Note
03	3 stations	Double wiring ^{Note 1)}
⋮	⋮	
08	8 stations	Specified layout ^{Note 2)} (Compatible with 16 solenoid valves)
03	3 stations	
⋮	⋮	
16	16 stations	

- The number of the blanking plate assembly is also included.
- Note 1) Double wiring: Use of a single solenoid will result in an unused control signal. If this is not desired, order with a specified layout.
- Note 2) Specified layout: Indicate wiring specifications on the manifold specification sheet. (Note that double and 3 position valves cannot be used where single solenoid wiring has been specified.)

CE-compliant

Nil	—
Q	CE-compliant

Option

Nil	Direct mounting
D	DIN rail mounting (With DIN rail)
DO	DIN rail mounting (Without DIN rail)
D*	When a longer DIN rail is desired than the specified stations, specify the station number to be required into * mark.

Thread type

Nil	Rc
F	G
N	NPT
T	NPTF

A, B port size Thread piping

02	1/4
03	3/8

One-touch fitting (Metric size)

C8	One-touch fitting for ø8
C10	One-touch fitting for ø10
C12	One-touch fitting for ø12
M	Mixed

One-touch fitting (Inch size)

N9	One-touch fitting for ø5/16"
N11	One-touch fitting for ø3/8"
M	Mixed

- For the mixed specification, indicate separately on a manifold specification sheet.

SUP/EXH block assembly specifications

Nil	Standard/Internal pilot
R	External pilot
S	Internal pilot, Built-in silencer
RS	External pilot, Built-in silencer

P, R port outlets

U	U side	3 to 10 stations
D	D side	
B	Both sides	3 to 16 stations

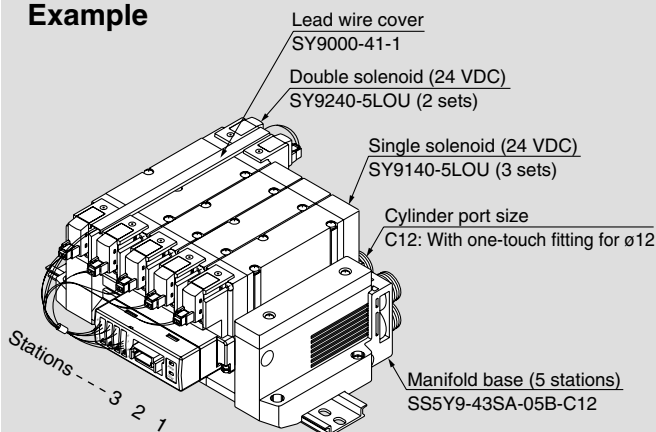
SI unit part no.

Symbol	SI unit specifications	SI unit part no.	Page
Nil	NPN output (+COM.)	EX510-S001	P.1715 to 1717
N	PNP output (-COM.)	EX510-S101	

For details of "Gateway System Serial Transmission System, Series EX510", refer to pages 1696 through to 1724.

How to Order Manifold Assembly (Order Example)

Example



SS5Y9-43SA-05B-C12 · 1 set (43SA type 5-station manifold part no.)
 * **SY9140-5LOU** 3 sets (Single solenoid part no.)
 * **SY9240-5LOU** 2 sets (Double solenoid part no.)
 * **SY9000-41-1** 1 set (Lead wire cover)

The asterisk denotes the symbol for assembly. Prefix to the part no. of the solenoid valve, etc.

Add the valve and option part number under the manifold base part number. When entry of part numbers becomes complicated, indicate by the manifold specification sheet. For a manifold for an EX510, the length of the lead wire for a connector assembly depends on the number of stations. Therefore, the manifold assembly is shipped with the valves (including blanking plates) and connector assembly mounted on it, as the standard specification. Be sure to specify the part nos. of the solenoid valves to be mounted.

SJ
SY
SV
SYJ
SZ
VP4
S0700
VQ
VQ4
VQ5
VQC
VQZ
SQ
VFS
VFR
VQ7

How to Order Valves

SY9 **1** 40 **□** - 5 LO **Z** **□** - **□** - **□**

Type of actuation

1	2 position single
2	2 position double
3	3 position closed center
4	3 position exhaust center
5	3 position pressure center

Pilot specifications

Nil	Internal pilot
R	External pilot

Rated voltage: 24 VDC

CE-compliant

Nil	—
Q	CE-compliant

Made to Order

Nil	—
X90	Main valve fluoro rubber (Refer to page 332.)

Manual override

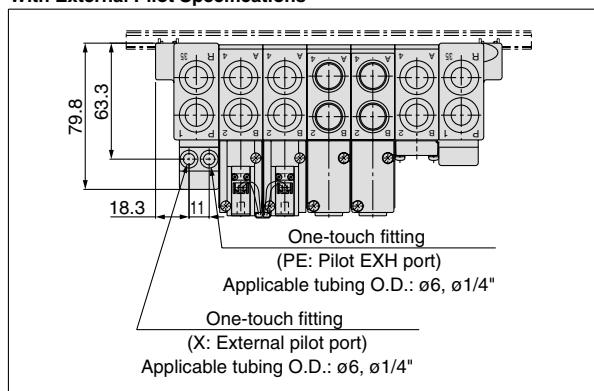
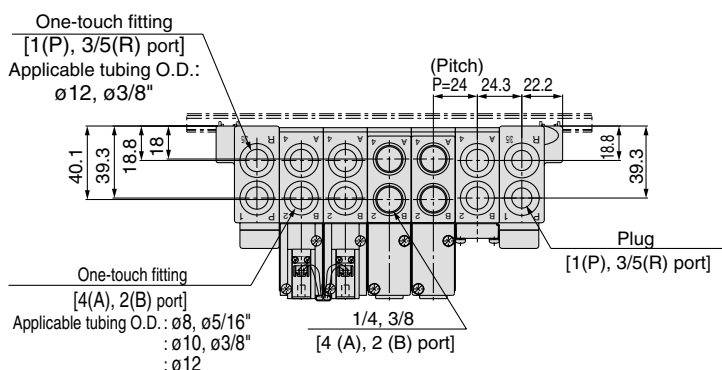
Nil	Non-locking push type
D	Push-turn locking slotted type
E	Push-turn locking lever type

Light/surge voltage suppressor

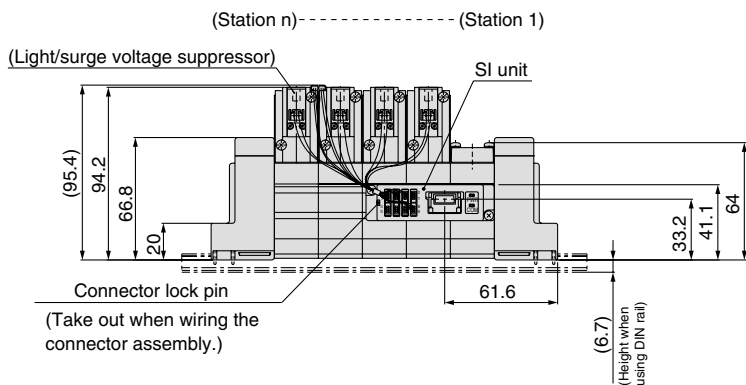
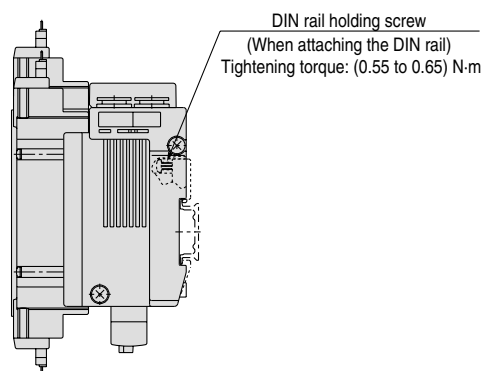
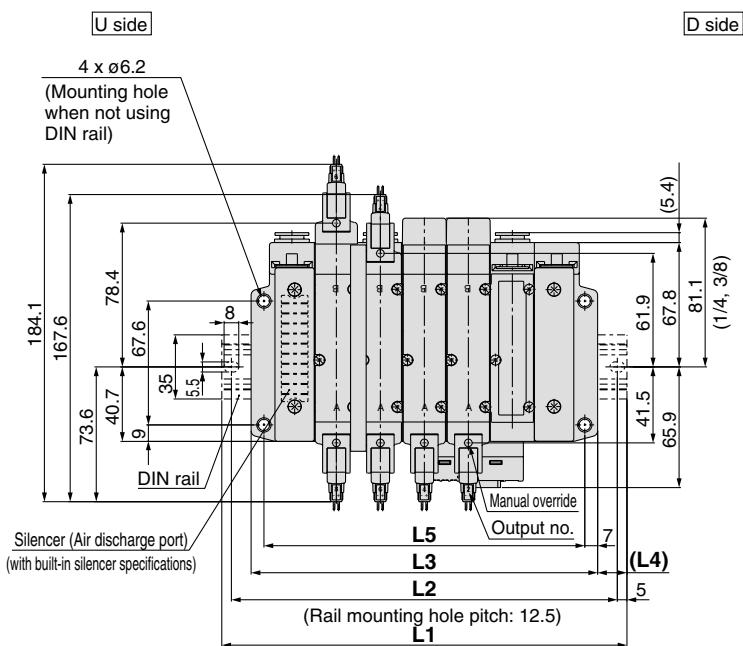
Z	With light/surge voltage suppressor
U	Without light/surge voltage suppressor (non-polar type)

SY9000: SS5Y9-43SA - Stations U - 02 03 , C8, N9 C10, N11 (-D) C12

With External Pilot Specifications



* When P, R port outlets are indicated on the D side, the P, R ports on the opposite side are plugged.
* Air discharge port on the built-in silencer type and the external pilot's extracting position are in the U side.

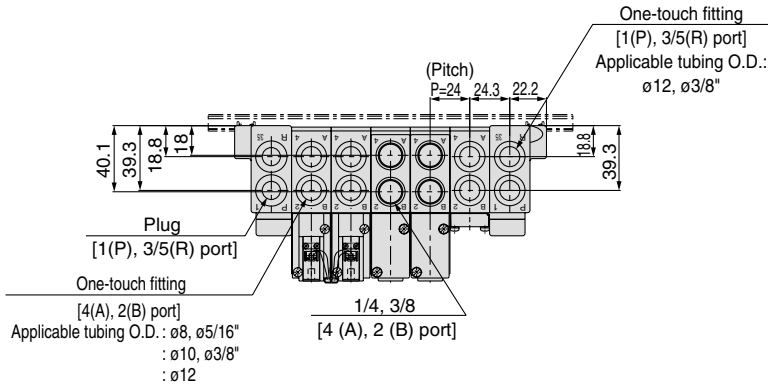


Stations n	3 stations	4	5	6	7	8	9	10 stations
L1	173	198	223	248	260.5	285.5	310.5	335.5
L2	162.5	187.5	212.5	237.5	250	275	300	325
L3	141	165	189	213	237	261	285	309
L4	16	16.5	17	17.5	12	12.5	13	13.5
L5	127	151	175	199	223	247	271	295

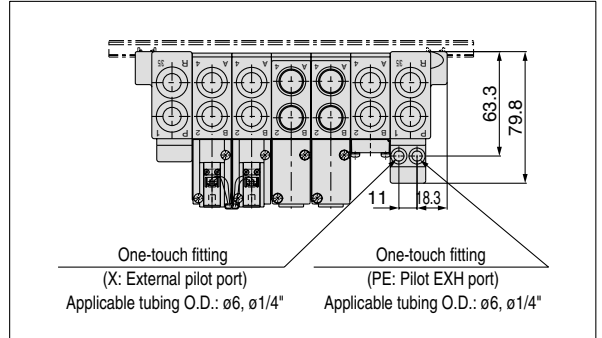
- SJ
- SY
- SV
- SYJ
- SZ
- VP4
- S0700
- VQ
- VQ4
- VQ5
- VQC
- VQZ
- SQ
- VFS
- VFR
- VQ7

Type 43SA Series SY9000

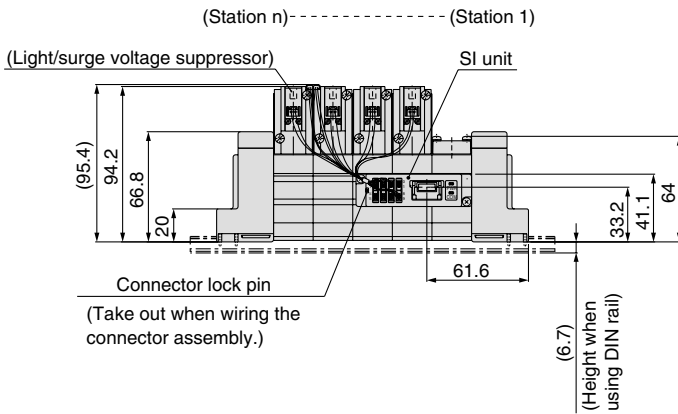
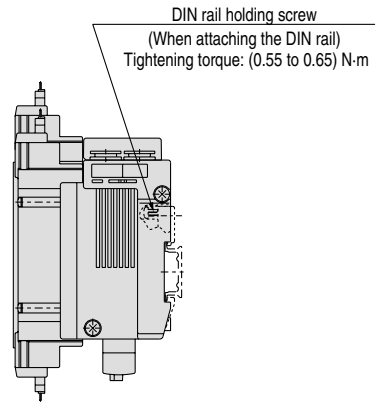
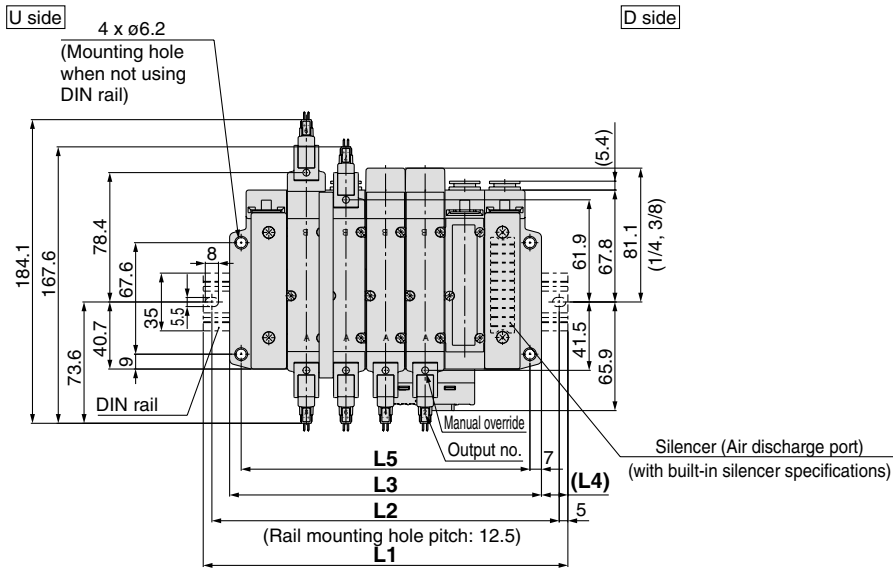
SY9000: SS5Y9-43SA - Stations D - 02 03 , C8, N9 C10, N11 (-D) C12



With External Pilot Specifications



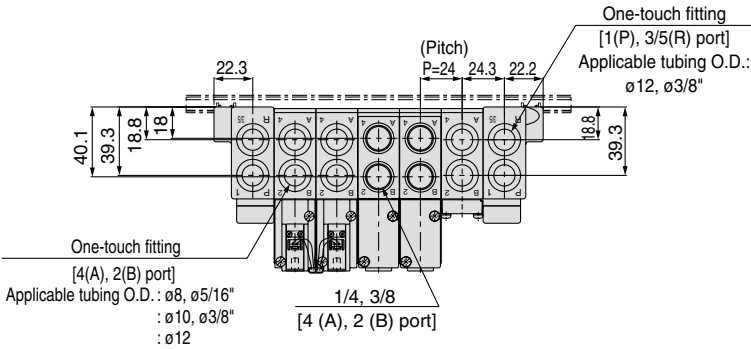
- * When P, R port outlets are indicated on the D side, the P, R ports on the opposite side are plugged.
- * Air discharge port on the built-in silencer type and the external pilot's extracting position are in the D side.



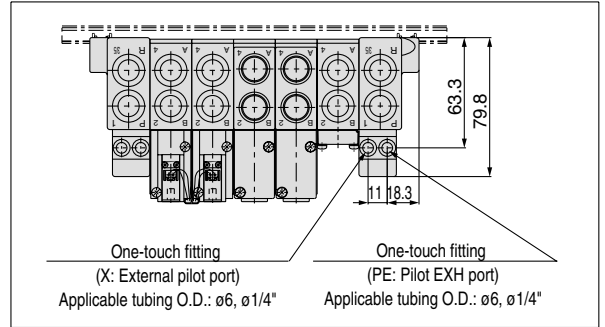
Stations n	3 stations	4	5	6	7	8	9	10 stations
L1	173	198	223	248	260.5	285.5	310.5	335.5
L2	162.5	187.5	212.5	237.5	250	275	300	325
L3	141	165	189	213	237	261	285	309
L4	16	16.5	17	17.5	12	12.5	13	13.5
L5	127	151	175	199	223	247	271	295

Base Mounted Manifold *Series SY9000* Type 43SA

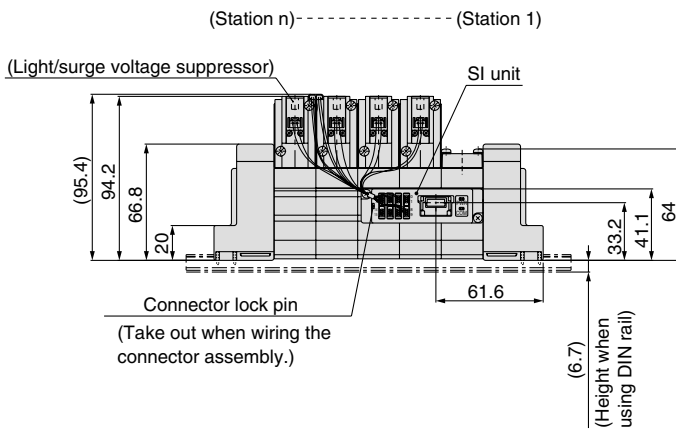
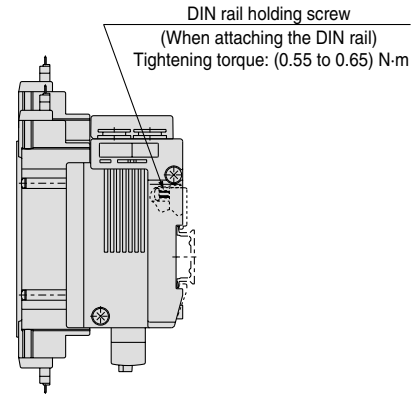
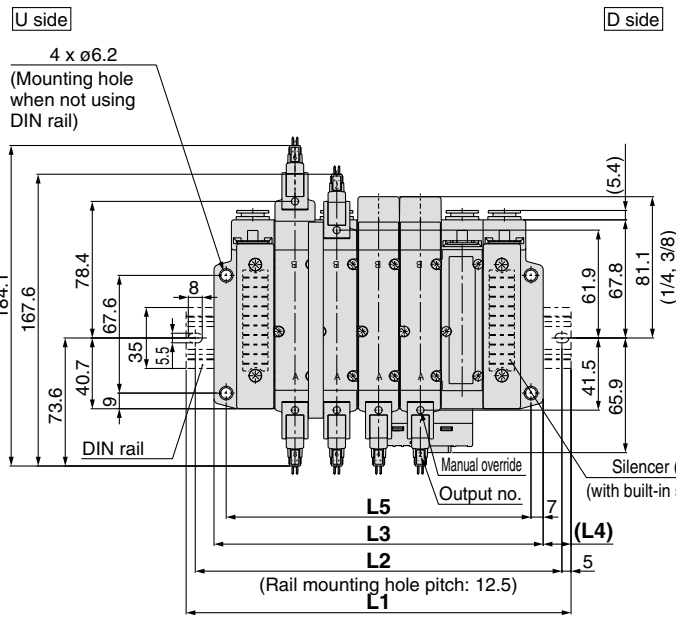
SY9000: SS5Y9-43SA □ - Stations B □ - □ ⁰²□ ₀₃□, C8, N9 C10, N11 (-D) C12



With External Pilot Specifications



- * When P, R port outlets are indicated on the B side, the P, R ports on the both sides are in the open state.
- * Air discharge port on the built-in silencer type and the external pilot's extracting position are in the B side (both sides).

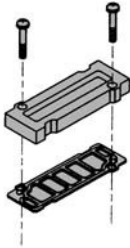


- SJ
- SY
- SV
- SYJ
- SZ
- VP4
- S0700
- VQ
- VQ4
- VQ5
- VQC
- VQZ
- SQ
- VFS
- VFR
- VQ7

Stations n	3 stations	4	5	6	7	8	9	10	11	12	13	14	15	16 stations
L1	173	198	223	248	260.5	285.5	310.5	335.5	360.5	385.5	410.5	435.5	460.5	485.5
L2	162.5	187.5	212.5	237.5	250	275	300	325	350	375	400	425	450	475
L3	141	165	189	213	237	261	285	309	333	357	381	405	429	453
L4	16	16.5	17	17.5	12	12.5	13	13.5	14	14.5	15	15.5	16	16.5
L5	127	151	175	199	223	247	271	295	319	343	367	391	415	439

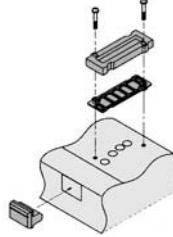
Manifold Option

■ Type 41, 42, 43, 42SA, 43SA Blanking plate assembly



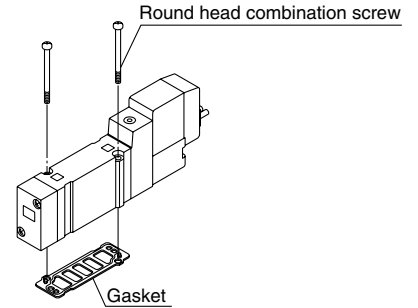
Series	Assembly part no.
SY3000	SY3000-26-9A(-Q)
SY5000	SY5000-26-20A(-Q)
SY7000	SY7000-26-22A(-Q)
SY9000	SY9000-26-2A(-Q)

■ Type 41P, 42P, 43P Blanking plate assembly



Series	Assembly part no.
SY3000	SY3000-26-10A(-Q)
SY5000	SY5000-26-21A(-Q)
SY7000	SY7000-26-23A(-Q)
SY9000	SY9000-26-4A(-Q)

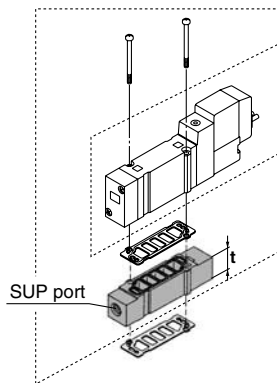
■ Gasket assembly part no.



Series	Gasket assembly part no.
SY3000	SY3000-GS-2
SY5000	SY5000-GS-2(-Q)
SY7000	SY7000-GS-2(-Q)
SY9000	SY9000-GS-2

Note) The gasket assembly includes 10 sets of mounting screws and a gasket.

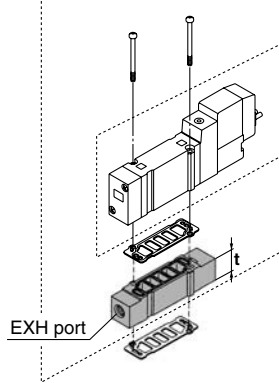
■ Individual SUP spacer assembly



Series	Assembly part no.	Port size	t
SY3000	SY3000-38-2A(-Q)	M5 x 0.8	11
SY5000	SY5000-38-16*A(-Q)	1/8	15
SY7000	SY7000-38-16*A(-Q)	1/4	18
SY9000	SY9000-38-2*A(-Q)	1/4	20

Note) • The SUP port of SY3000, 5000 and 7000 may be either on the lead wire side or on the end plate side. (An assembly is shipped under the condition shown in the figure.)
• The end plate side is only available to SY9000.

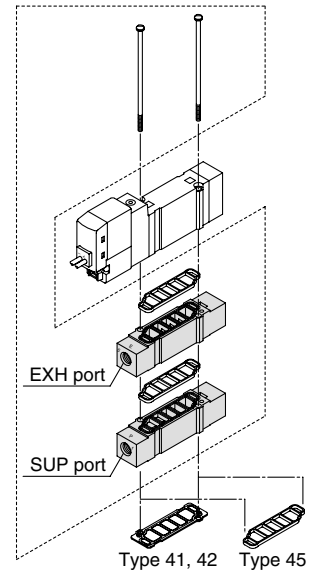
■ Individual EXH spacer assembly



Series	Assembly part no.	Port size	t
SY3000	SY3000-39-2A(-Q)	M5 x 0.8	11
SY5000	SY5000-39-16*A(-Q)	1/8	15
SY7000	SY7000-39-16*A(-Q)	1/4	18
SY9000	SY9000-39-2*A(-Q)	1/4	20

Note) In case of 41P, 42P and 43P, for protection of the wiring unit section from drainage, piping at the EA port should be arranged so that it will not be directly exposed to exhaust from the valve.

■ Individual SUP spacer assembly + Individual EXH spacer assembly (Double spacer)



●: Available X: Not available —: Nonapplicable manifold]

Series	Individual SUP + Individual EXP Assemble part no.	Port size	Applicable manifold types						
			41	41P	42	42P	45	45-A 45-NA	45*
SY3000	SY3000-120-2A(-Q)	M5 x 0.8	●	X	●	X	●	X	X
SY5000	SY5000-75-1*A(-Q)	1/8	●	X	●	X	●	X	X
SY7000	SY7000-73-1*A(-Q)	1/4	●	X	●	X	—	—	—

Note) The port on a spacer can be directed to the pilot valve side or end plate side. For mounting the port to the pilot valve side, please make sure to connect the ports to protect the pilot valve wiring section from drainage. The individual SUP spacer and EXH spacer can be mounted either on the upper side or lower side. (The above illustration shows the condition when the product is shipped out from a factory.)

⚠ Caution

Mounting screw tightening torques

M2: 0.16 N·m
M3: 0.8 N·m
M4: 1.4 N·m

* Thread type

Nil	Rc
F	G
N	NPT
T	NPTF

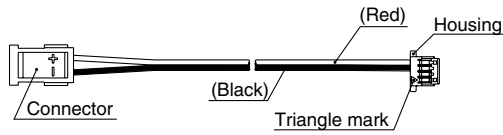
⚠ Warning

When mounting a valve or spacer on the manifold base or sub-plate, etc., those mounting directions are determined. If mounted in the wrong direction, the equipment to be connected may cause malfunction. Refer to external dimensions, and then mount it.

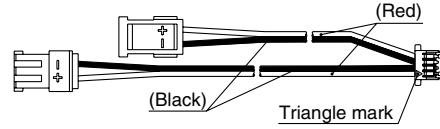
Manifold Option

■ Connector assembly

For single solenoid (SY3000-37-81A-□-N)



For double solenoid (SY3000-37-81A-□-□)



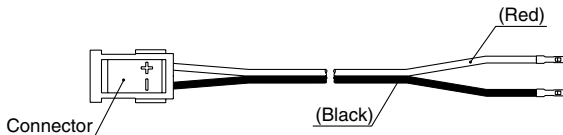
Connector assembly order no. (Can be used for the manifold without a specified layout (8 stations or less))
Integrated type

Model	Part no.	Connector mounting position
SS5Y3-42SA	SY3000-37-81A-3-N	Single: For 1 to 4 stations
	SY3000-37-81A-3-6	Double/3 position: For 1 to 4 stations
	SY3000-37-81A-2-N	Single: For 5 to 8 stations
	SY3000-37-81A-2-4	Double/3 position: For 5 to 8 stations
SS5Y5-42SA	SY3000-37-81A-3-N	Single: For 1 to 8 stations
	SY3000-37-81A-3-6	Double/3 position: For 1 to 8 stations
SS5Y7-42SA	SY3000-37-81A-3-N	Single: For 1 to 4 stations
	SY3000-37-81A-3-6	Double/3 position: For 1 to 4 stations
	SY3000-37-81A-4-N	Single: For 5 to 8 stations
	SY3000-37-81A-4-7	Double/3 position: For 5 to 8 stations

Note) The above is for the station addition or maintenance. When ordering a connector assembly separately, a number would not be printed on the connector.

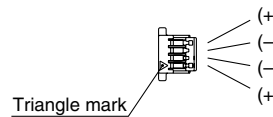
■ Connector assembly

SY3000-37-80A-□



■ Housing (8 pcs./set)

SY3000-44-3A



Connector assembly order no. (Can be used for the manifold with a specified layout)

Model	Part no.	Connector mounting position
SS5Y3-42SA	SY3000-37-80A-3	For A side
	SY3000-37-80A-6	For B side
	SY3000-37-80A-4	For A side
	SY3000-37-80A-7	For B side
SS5Y5-42SA	SY3000-37-80A-3	For A side
	SY3000-37-80A-6	For B side
	SY3000-37-80A-7	For A side
	SY3000-37-80A-9	For B side
SS5Y7-42SA	SY3000-37-80A-4	For A side
	SY3000-37-80A-7	For B side
	SY3000-37-80A-8	For A side
	SY3000-37-80A-11	For B side
SS5Y9-43SA	SY3000-37-80A-6	For A side
	SY3000-37-80A-11	For B side
	SY3000-37-80A-9	For A side
	SY3000-37-80A-14	For B side
	SY3000-37-80A-13	For A side
	SY3000-37-80A-18	For B side

Note 1) The above is for station addition or maintenance. When ordering a connector assembly separately, a number will not be printed on the connector.

Note 2) After inserting the connector assembly into the housing, be sure to confirm that the lead wire will not come off by lightly pulling the wire. Furthermore, do not reuse the lead wire after it has been inserted and removed.

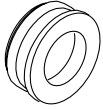
Note 3) Wiring is set longer than the actual wiring distance.

SJ
SY
 SV
 SYJ
 SZ
 VP4
 S0700
 VQ
 VQ4
 VQ5
 VQC
 VQZ
 SQ
 VFS
 VFR
 VQ7

Manifold Option

■ SUP blocking disk (For SY9000)

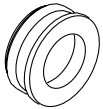
By installing a SUP blocking disk in the pressure supply passage of a manifold base, it is possible to supply two or more different high and low pressures to one manifold.



Series	No.
SY9000	SY9000-57-1A

■ EXH blocking disk (For SY9000)

By installing an EXH blocking disk in the exhaust passage of a manifold base, it is possible to divide the valve's exhaust so that it does not affect another valve. (Two blocking disks are needed to divide both exhausts.)



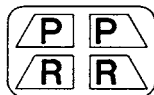
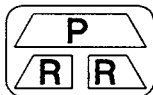
Series	No.
SY9000	SY9000-57-1A

■ Label for block disk (For SY9000)

The labels shown below are used on manifold stations containing SUP/EXH block disk(s) to show their location. (3 pcs. each)

VZ3000-123-1A

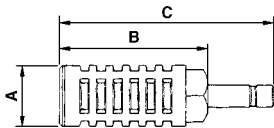
Label for SUP block disk Label for EXH block disk Label for SUP/EXH block disk



Note) When a block disk is concurrently ordered by specifying on the manifold specification sheet, etc., a label will be stuck on the position where block disk is mounted.

■ Silencer with One-touch fitting (For SY9000)

The silencer plugs directly into the One-touch fittings of the manifold R (exhaust) port.



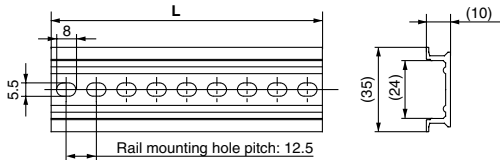
For Series	Model	Effective area	A	B	C
SY9000 (ø12)	AN300-KM12	41 mm ²	ø25	70	98

■ DIN Rail Dimensions/Mass for SY9000

VZ1000-11-4-□

Refer to L dimensions

* Fill in □ with an appropriate no. listed on the table of DIN rail dimensions shown below.

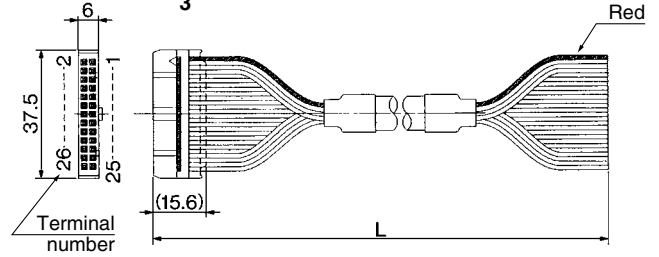


No.	0	1	2	3	4	5	6	7	8	9
L Dimension	98	110.5	123	135.5	148	160.5	173	185.5	198	210.5
Mass (g)	24.8	28	31.1	34.3	37.4	40.6	43.8	46.9	50.1	53.3
No.	10	11	12	13	14	15	16	17	18	19
L Dimension	223	235.5	248	260.5	273	285.5	298	310.5	323	335.5
Mass (g)	56.4	59.6	62.7	65.9	69.1	72.2	75.4	78.6	81.7	84.9
No.	20	21	22	23	24	25	26	27	28	29
L Dimension	348	360.5	373	385.5	398	410.5	423	435.5	448	460.5
Mass (g)	88	91.2	94.4	97.5	100.7	103.9	107	110.2	113.3	116.5

Note) • Refer to page 338 for DIN rail.
• Refer to L1 dimension on pages 211 to 213, 225 to 227 and 235 to 237 for lengths that correspond to the number of manifold stations.

■ Cable assembly

AXT100-FC26- $\frac{1}{3}$



Connector Assembly for Flat Ribbon Cables

Cable length (L)	Ass'y part no.	Note
1.5m	AXT100-FC26-1	Cable 26 core x 28 AWG
3m	AXT100-FC26-2	
5m	AXT100-FC26-3	

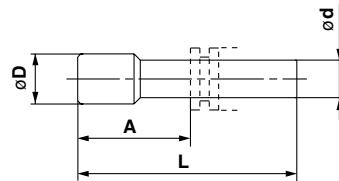
* For other commercial connectors, use a 26 pins with strain relief conforming to MIL-C-83503.

Connector manufacturers' example

- Hirose Electric Company
- Japan Aviation Electronics Industry, Ltd.
- Sumitomo 3M Limited
- J.S.T. Mfg. Co., Ltd.
- Fujitsu Limited

■ Plug (white)

These are inserted in unused cylinder ports and SUP, EXH ports. Purchasing order is available in units of 10 pieces.



Dimensions

Applicable fittings size ød	Model	A	L	D
4	KQ2P-04	16	32	6
6	KQ2P-06	18	35	8
8	KQ2P-08	20.5	39	10
10	KQ2P-10	22	43	12
12	KQ2P-12	24	44.5	14
1/8"	KQ2P-01	16	31.5	5
5/32"	KQ2P-03	16	32	6
1/4"	KQ2P-07	18	35	8.5
5/16"	KQ2P-09	20.5	39	10
3/8"	KQ2P-11	22	43	11.5

Manifold Option

How to Order Interface Regulator

Series SY3000

ARBY3000-05-P-2

● **Pressure gauge connection port**

05	Pressure gauge (G15-10-01)
M1	Plug (M-5P)



Note) In the case of Series ARBY3000 with a pressure gauge when mounting on the manifold, use caution that the part numbers are different between the odd no. stations and the even no. stations to avoid gauges from interfering from each others.

● **Regulating port**

P	P port
A1	A port (P controlled type, A port regulation)
B1	B port (P controlled type, B port regulation)

ARBY3000-05-□-2
(For odd number stations)

ARBY3000-06-□-2
(For even number stations)

ARBY3000-M1-□-2

Series SY5000

ARBY5000-00-P-2

● **Pressure gauge connection port**

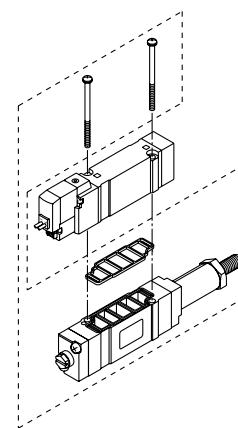
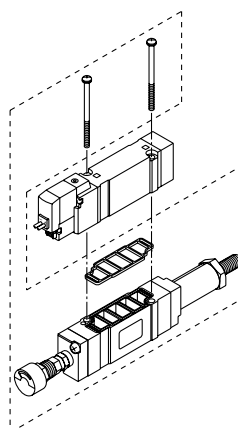
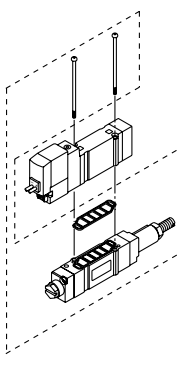
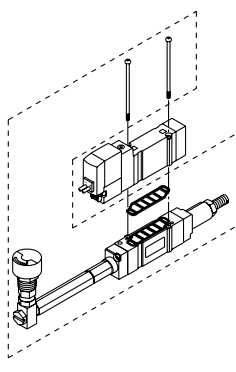
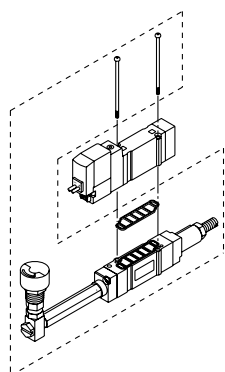
00	Pressure gauge (G15-10-01)
M1	Plug (M-5P)

● **Regulating port**

P	P port
A1	A port (P controlled type, A port regulation)
B1	B port (P controlled type, B port regulation)

ARBY5000-00-□-2

ARBY5000-M1-□-2



Series SY7000

ARBY7000-00-P-2

● **Pressure gauge connection port**

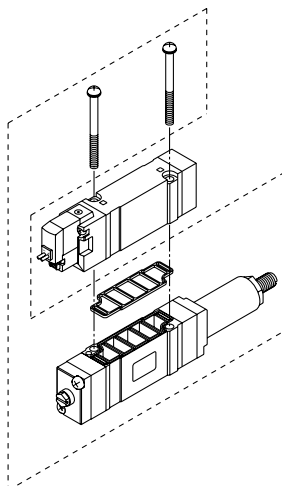
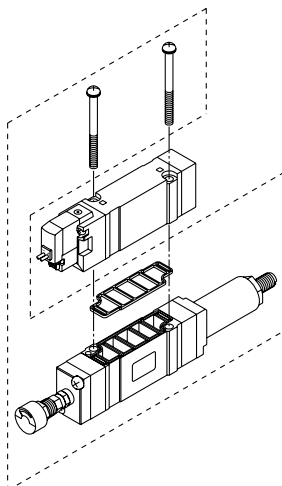
00	Pressure gauge (G15-10-01)
M1	Plug (M-5P)

● **Regulating port**

P	P port
A1	A port (P controlled type, A port regulation)
B1	B port (P controlled type, B port regulation)

ARBY7000-00-□-2

ARBY7000-M1-□-2



Note) ARBY is not CE-compliant.

Accessory

Series	Round head combination screw	Gasket
ARBY3000	SY3000-23-10 (M2 x 36)	SX3000-57-4
ARBY5000	M3 x 48.5, Matt nickel plated	SX5000-57-6
ARBY7000	M4 x 57, Matt nickel plated	SX7000-57-4

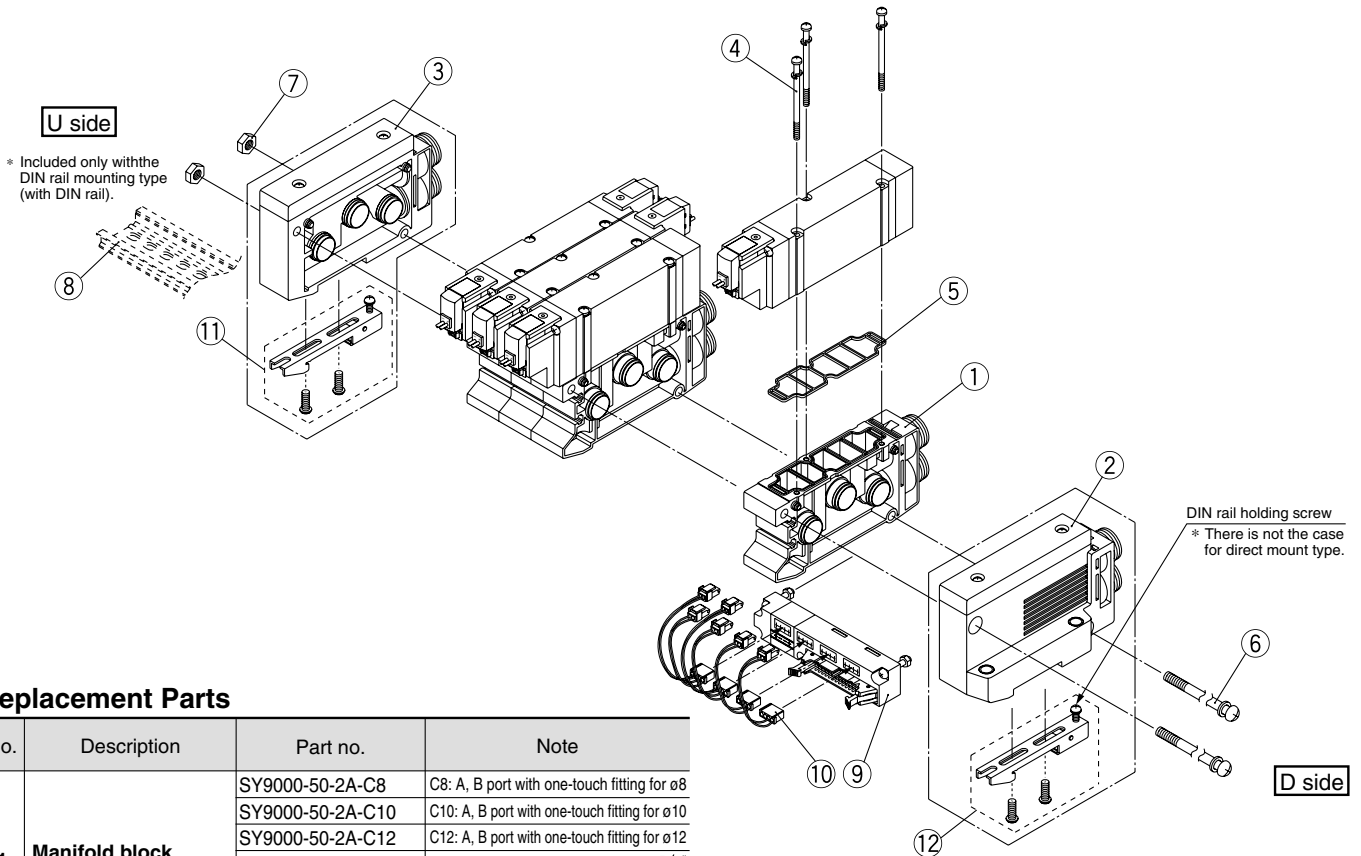
⚠ Caution

Mounting screw tightening torques

M2: 0.16 N·m
M3: 0.8 N·m
M4: 1.4 N·m

- SJ
- SY
- SV
- SYJ
- SZ
- VP4
- S0700
- VQ
- VQ4
- VQ5
- VQC
- VQZ
- SQ
- VFS
- VFR
- VQ7

Base Mounted Manifold Exploded View

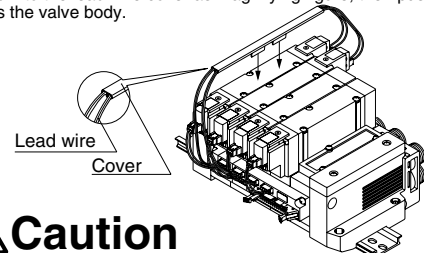


Replacement Parts

No.	Description	Part no.	Note
1	Manifold block assembly	SY9000-50-2A-C8	C8: A, B port with one-touch fitting for $\phi 8$
		SY9000-50-2A-C10	C10: A, B port with one-touch fitting for $\phi 10$
		SY9000-50-2A-C12	C12: A, B port with one-touch fitting for $\phi 12$
		SY9000-50-2A-N9	N9: A, B port with one-touch fitting for $\phi 5/16$ "
		SY9000-50-2A-N11	N11: A, B port with one-touch fitting for $\phi 3/8$ "
		SY9000-50-2A-02*	02: A, B port $1/4$ " (* thread type)
		SY9000-50-2A-03*	03: A, B port $3/8$ " (* thread type)
4	Round head combination screw	SY9000-18-2	M3 x 42, Matt nickel plated
5	Gasket	SY9000-11-2	
6	Tension bolt	SY9000-23-□	□ at the end of part number corresponds with the number of manifold station. Specify the same number as the number of stations.
7	Hexagon nut	SY9000-25-1	
8	DIN rail	VZ1000-11-4-□	Refer to page 240.
9	Wiring unit assembly	SY9000-36-□A	□ at the end of part number corresponds with the number of manifold station. Specify the same number as the number of stations (4 to 12 stations).
10	Connector assembly	SY9000-37-□□	Refer to page 223.
11	Lead wire cover	SY9000-41-1	
12	Clamp sub assembly	SY9000-30-1A	Included only with the DIN rail mounting type.

⑪ How to assemble lead wire cover

Lead wire cover is only usable for double solenoid valves. Lead wire is inserted into the lead wire cover as magnifying figure, then push it until it touches the valve body.



⚠ Caution

For type 43P (Flat cable manifold) of Series SY9000, the lead wire cover is attached for bundling the lead wires for each solenoid. In case such as adding double solenoid valve, etc., order separately lead wire cover as well.

② SUP/EXH block assembly no. (D side mounting)

- Direct mount type: **SY9000-70-**□□**A-**□□
- DIN rail mount type: **SY9000-72-**□□**A-**□□

• P, R port

C12	One-touch fitting for $\phi 12$
N11	One-touch fitting for $\phi 3/8$ "
00	Plug

• Specifications

1	Internal pilot type
3	External pilot type
4	Internal pilot / Built-in silencer type
5	External pilot / Built-in silencer type

③ SUP/EXH block assembly no. (U side mounting)

- Direct mount type: **SY9000-71-**□□**A-**□□
- DIN rail mount type: **SY9000-73-**□□**A-**□□

• P, R port

C12	One-touch fitting for $\phi 12$
N11	One-touch fitting for $\phi 3/8$ "
00	Plug

• Specifications

1	Internal pilot type
3	External pilot type
4	Internal pilot / Built-in silencer type
5	External pilot / Built-in silencer type

How to Increase Manifold Bases (Series SY9000 only) Manifold case can be added at any location.

When a type 43 manifold base is added, tension bolts as well as manifold block assembly will be required. Order the tension bolt suitable for the stations after a station was increased (decreased), since the length of a tension bolt differs by the number of stations. (For changing the number of stations for a type 43P manifold, wiring unit for the stations and lead assembly will be required.)

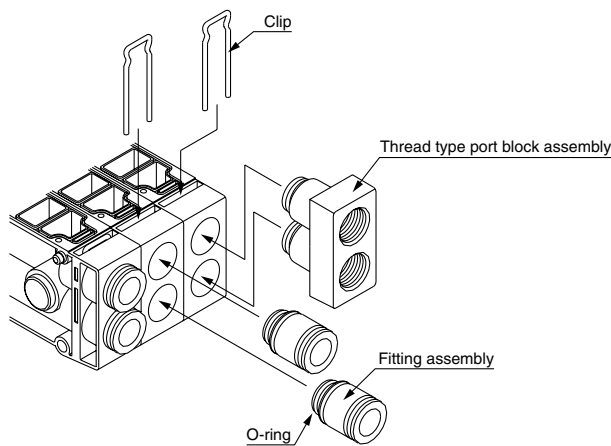
- 1 Loosen the tension bolts connecting the manifold base, and pull out both of 2 tension bolts.
(When equipped with a DIN rail, loosen one DIN rail holding screw on either U side or D side.)
- 2 Separate the blocks at the location where station expansion is desired.
- 3 Mount additional manifold block assembly.
- 4 Press block-to-block so that there's no gap. After connection, insert a tension bolt for desired stations and then tighten it.
⚠ Caution (Tightening torque: 2.9 N·m)
 (When equipped with a DIN rail, be sure to tighten the DIN rail holding screws after tightening the tension bolts. Tightening torque: 1.4 N·m)

⚠ Caution

1. Be sure to shut off the power and air supplies before disassembly. Furthermore, since air may remain inside the actuator, piping and manifold, confirm that the air is completely exhausted before performing any work.
2. When disassembly and assembly are performed, air leakage may result if connections between blocks and tightening of the end block's holding screw, is inadequate.
3. By adding wiring unit assembly to type 43 manifold, it can be changed to type 43P manifold, too.

How to Replace A, B Port Fitting Assembly

By replacing manifold block fitting assemblies or the threaded port block assembly of a type 43(P) manifold, the port size of the A and B ports can be changed. To replace these parts, remove the clip with a flat head screwdriver after the valve has been removed. Insert the fitting assemblies or threaded port block assembly, and then reinsert the clip so that it does not protrude from the manifold block.



Fitting Assembly Part No.

Port size	No.	Note
One-touch fitting assembly for ø8	VVQ4000-50B-C8	
One-touch fitting assembly for ø10	VVQ4000-50B-C10	
One-touch fitting assembly for ø12	VVQ4000-50B-C12	
One-touch fitting for ø 5/16"	VVQ4000-50B-N9	
One-touch fitting for ø 3/8"	VVQ4000-50B-N11	
1/4 threaded type port block assembly	SY9000-58A-02*	—* at the end of part number denotes the thread type.
3/8 threaded type port block assembly	SY9000-58A-03*	—* at the end of part number denotes the thread type.
Plug assembly	SY9000-62-1A	

Note 1) Be careful to avoid damage or contamination of O-rings, as this can cause air leakage.
 Note 2) Although replacing One-touch fittings of P, R port is also possible, use caution to the cases, etc. in which solenoid valves are often used at the same time by using the smaller sized fittings than the standard size (ø12). Because there may not be able to supply or exhaust air sufficiently in comparison with the valve performances. Besides, although fittings used for A, B port are the same, it is not possible to use the threaded type port block assembly.

SJ
 SY
 SV
 SYJ
 SZ
 VP4
 S0700
 VQ
 VQ4
 VQ5
 VQC
 VQZ
 SQ
 VFS
 VFR
 VQ7

5 Port Solenoid Valve Base Mounted Manifold Stacking Type/DIN Rail Mounted/Individual Wiring

Series SY3000/5000

Type **45**

How to Order Manifold

SS5Y **3** - 45 - **05** **U** - **C6** - [] - []

• **Series**

3	SY3000
5	SY5000

• **Valve stations**

02	2 stations
⋮	⋮
20	20 stations

• **SUP/EXH block assembly mounting position**

Symbol	Mounting position	Applicable no. of stations
U	U side	2 to 10 stations
D	D side	
B	(Both sides)	
M*	Special specifications	

* For special specifications, indicate separately by the manifold specification sheet.

• **Option**

When a longer DIN rail is desired than the specified stations, specify the station number to be required. (20 stations at maximum)

• **CE-compliant**

Nil	—
Q	CE-compliant

• **A, B port size**

One-touch fitting (Metric size)

Symbol	Port size	Applicable series
C4	One-touch fitting for $\phi 4$	SY3000
C6	One-touch fitting for $\phi 6$	
M	Mixed	SY5000
C4	One-touch fitting for $\phi 4$	
C6	One-touch fitting for $\phi 6$	
C8	One-touch fitting for $\phi 8$	
M	Mixed	

One-touch fitting (Inch size)

Symbol	Port size	Applicable series
N3	One-touch fitting for $\phi 5/32$ "	SY3000
N7	One-touch fitting for $\phi 1/4$ "	
M	Mixed	SY5000
N3	One-touch fitting for $\phi 5/32$ "	
N7	One-touch fitting for $\phi 1/4$ "	
N9	One-touch fitting for $\phi 5/16$ "	
M	Mixed	

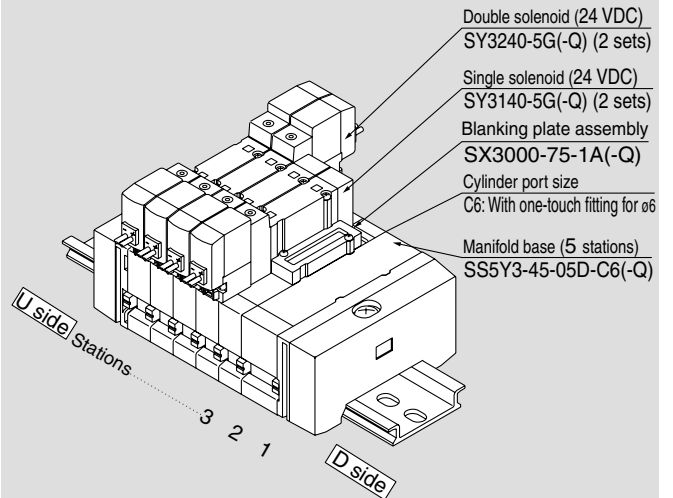
* In the case of mixed specifications (M), indicate separately on the manifold specification sheet.



Refer to pages 324 to 328 for external pilot specifications and built-in silencer.

How to Order Manifold Assembly (Example)

Example



SS5Y3-45-05D-C6 1 set (Type 45, 5-station manifold base part no.)
 * **SX3000-75-1A** 1 set (Blanking plate assembly part no.)
 * **SY3140-5G** 2 sets (Single solenoid part no.)
 * **SY3240-5G** 2 sets (Double solenoid part no.)

→ The asterisk denotes the symbol for assembly. Prefix it to the part nos. of the solenoid valve, etc.

The valve arrangement is numbered as the 1st. station on D side regardless of the mounting position of SUP/EXH block assembly. In ordering, specify the part nos. in the order from the 1st. station on D side. Besides, when the arrangement will be complicated, fill out the manifold specification sheet to instruct us.

How to Order Valve

SY 5 2 40 □ - 5 L □ □ - □ - □

Series

3	SY3000
5	SY5000

Type of actuation

1	2 position single
2	2 position double
3	3 position closed center
4	3 position exhaust center
5	3 position pressure center

Coil specifications

Nil	Standard
T	With power saving circuit (24, 12 VDC only)

* Power saving circuit is not available in the case of D, Y, DO, YO or W□ type.

Rated voltage

For DC

5	24 VDC
6	12 VDC
V	6 VDC
S	5 VDC
R	3 VDC

AC (Hz)^{50/60}

1	100 VAC
2	200 VAC
3	110 VAC [115 VAC]
4	220 VAC [230 VAC]

* DC specifications of type D, Y, DO and YO is only available with 12 and 24 VDC.
 * For type W□, DC voltage is only available.
 * D and DO only available for SY5000.

CE-compliant

Nil	—
Q	CE-compliant

* For DC only except DIN terminal.

Made to Order

Nil	—
X90	Main valve fluoro rubber (Refer to page 332.)

Manual override

Nil	Non-locking push type
D	Push-turn locking slotted type
E	Push-turn locking lever type

Light/surge voltage suppressor

Electrical entry for G, H, L, M, W

Nil	Without light/surge voltage suppressor
S	With surge voltage suppressor
Z	With indicator light and surge voltage suppressor
R	With surge voltage suppressor (Non-polar type)
U	With light/surge voltage suppressor (Non-polar type)

* For AC voltage valves there is no "S" option. It is already built-in to the rectifier circuit.
 * For "R" and "U", DC voltage is only available.
 * Power saving circuit is only available in the "Z" type.

Electrical entry for D, Y

Nil	Without light/surge voltage suppressor
S	With surge voltage suppressor (Non-polar type)
Z	With light/surge voltage suppressor (Non-polar type)

* DOZ and YOZ are not available.
 * For AC voltage valves there is no "S" option. It is already built-in to the rectifier circuit.

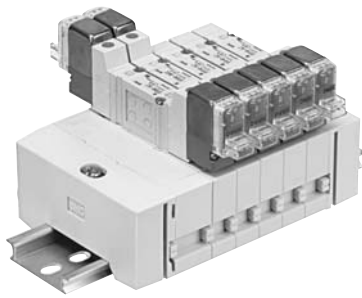
Electrical entry

24, 12, 6, 5, 3 VDC/100, 110, 200, 220 VAC			24, 12 VDC/ 100, 110, 200, 220 VAC	24, 12, 6, 5, 3 VDC
Grommet	L plug connector	M plug connector	DIN terminal	M8 connector
G: Lead wire length 300 mm	L: With lead wire (Length 300 mm)	M: With lead wire (Length 300 mm)	(SY5000)	WO: Without connector cable
H: Lead wire length 600 mm	LN: Without lead wire	MN: Without lead wire	DO: Without connector	W□: With connector cable ^{Note 1)}
	LO: Without connector	MO: Without connector	Y: With connector	
			YO: Without connector	

* LN, MN type: with 2 sockets.
 * D and DO only available for SY5000.
 * "Y" type is a DIN terminal conforming to EN-175301-803C (former DIN43650C). Refer to page 336 for details.
 * Refer to page 339 for connector cable of M8 connector.
 * M8 connector conforming to IEC60947-5-2 standard is also available. Refer to page 331 for details.
 * Refer to page 336 for the lead wire length of L and M plug connectors.
 * Refer to page 337 for the connector assembly with cover for L and M plug connectors.
 Note) Enter the cable length symbols in □. Please be sure to fill in the blank referring to page 340.

* When ordering valve as a single unit, gaskets for the stacking base type are not included. Order them separately, if necessary. (Refer to page 254 for details.)

SJ
 SY
 SV
 SYJ
 SZ
 VP4
 S0700
 VQ
 VQ4
 VQ5
 VQC
 VQZ
 SQ
 VFS
 VFR
 VQ7



Manifold Specifications

Model	SS5Y3-45(-Q)		SS5Y5-45(-Q)	
Applicable valve	SY3□40		SY5□40	
Manifold type	Stacking type/DIN rail mounted			
P (SUP)/R (EXH)	Common SUP, Common EXH			
Valve stations	2 to 20 stations ^{Note 1)}			
A, B port Porting specifications	Location	Base		
	Direction	Side		
Port size	P, R port	C8 (One-touch fitting for ø8)	C10 (One-touch fitting for ø10)	
	A, B port	C4 (One-touch fitting for ø4)	C4 (One-touch fitting for ø4)	
		C6 (One-touch fitting for ø6)	C6 (One-touch fitting for ø6) C8 (One-touch fitting for ø8)	
Manifold base mass W (g), n: Stations	2 to 10 stations: W = 22n + 118 11 to 20 stations: W = 22n + 140		2 to 10 stations: W = 47n + 156 11 to 20 stations: W = 47n + 190	



Note 1) For more than 11 stations, supply pressure to P port on both sides and exhaust from R port on both sides.

Flow Characteristics

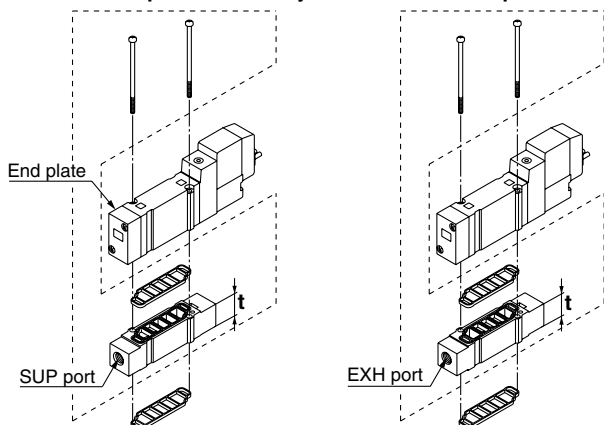
Model	Port size		Flow characteristics					
	1,5,3 (P,EA,EB)	4,2 (A,B)	1 → 4/2 (P → A/B)			4/2 → 5/3 (A/B → EA/EB)		
			C (dm ³ /s·bar)	b	Cv	C (dm ³ /s·bar)	b	Cv
SS5Y3-45	C8	C6	0.88	0.21	0.22	0.95	0.18	0.22
SS5Y5-45	C10	C8	2.2	0.24	0.53	2.5	0.18	0.58



Note) The value is for manifold base with 5 stations and individually operated 2 position type.

Manifold Option

Individual SUP spacer assembly ■ Individual EXH spacer assembly ■ SUP blocking disk



Series	Assembly part no.	Port size	t
SY3000	SY3000-38-2A(-Q)	M5 x 0.8	11
SY5000	SY5000-38-16+A(-Q)	1/8	15

Note) The SUP port may be either on the lead wire side or on the end plate side. (An assembly is shipped under the condition shown in the figure.)

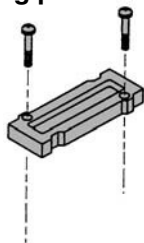
Series	Assembly part no.	Port size	t
SY3000	SY3000-39-2A(-Q)	M5 x 0.8	11
SY5000	SY5000-39-16+A(-Q)	1/8	15

Note) The EXH port may be either on the lead wire side or on the end plate side.

* Thread type

Nil	Rc
F	G
N	NPT
T	NPTF

■ Blanking plate assembly



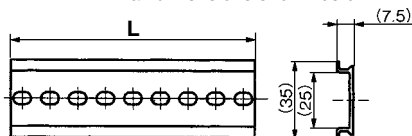
Series	Assembly part no.
SY3000	SX3000-75-1A(-Q)
SY5000	SX5000-76-5A(-Q)

■ Dimensions/DIN rail

VZ1000-11-1-□

Refer to L dimensions

* Fill in □ with an appropriate no. listed on the table of DIN rail dimensions shown below.



No.	0	1	2	3	4	5	6	7	8	9	10
L Dimension	98	110.5	123	135.5	148	160.5	173	185.5	198	210.5	223
No.	11	12	13	14	15	16	17	18	19	20	21
L Dimension	235.5	248	260.5	273	285.5	298	310.5	323	335.5	348	360.5
No.	22	23	24	25	26	27	28	29	30	31	32
L Dimension	373	385.5	398	410.5	423	435.5	448	460.5	473	485.5	498
No.	33	34	35	36	37	38	39	40	41	42	43
L Dimension	510.5	523	535.5	548	560.5	573	585.5	598	610.5	623	635.5
No.	44	45	46	47	48	49	50	51	52	53	54
L Dimension	648	660.5	673	685.5	698	710.5	723	735.5	748	760.5	773
No.	55	56	57	58	59	60	61	62	63	64	65
L Dimension	785.5	798	810.5	823	835.5	848	860.5	873	885.5	898	910.5
No.	66	67	68	69	70	71					
L Dimension	923	935.5	948	960.5	973	985.5					

* Refer to L1 dimension on pages starting with pages 250 to 253 for lengths that correspond to the number of manifold stations.

■ SUP blocking disk

By installing a SUP blocking disk in the pressure supply passage of a manifold valve, it is possible to supply two or more different high and low pressures to one manifold.



Series	Part no.
SY3000	SX3000-77-1A
SY5000	SX5000-77-1A

■ EXH blocking disk

By installing an EXH blocking disk in the exhaust passage of a manifold valve, it is possible to divide the valve's exhaust so that it does not affect another valve. (Two blocking disks are needed to divide both exhausts.)



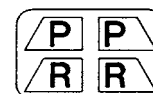
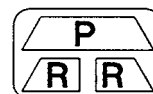
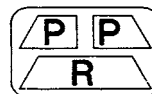
Series	Part no.
SY3000	SX3000-77-1A
SY5000	SX5000-77-1A

■ Label for block disk

The labels shown below are used on manifold stations containing SUP/EXH blocking disk(s) to show their location. (3 pcs. each)

VZ3000-123-1A

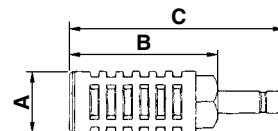
Label for SUP block disk Label for EXH block disk Label for SUP/EXH block disk



Note) When a block disk is concurrently ordered by specifying on the manifold specification sheet, etc., a label will be stuck on the position where block disk is mounted.

■ Silencer with One-touch fitting

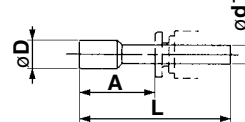
The silencer plugs directly into the One-touch fittings of the manifold.



Series	Model	Effective area	A	B	C
For SY3000 (ø8)	AN203-KM8	14 mm ²	ø16	26	51
For SY5000 (ø10)	AN200-KM10	26 mm ²	ø22	53.8	80.8
	AN300-KM10	30 mm ²	ø25	70	97

■ Plug (white)

These are inserted in unused cylinder ports and SUP, EXH ports. Purchasing order is available in units of 10 pieces.



Dimensions

Applicable fittings size ød	Model	A	L	D
4	KQ2P-04	16	32	6
6	KQ2P-06	18	35	8
8	KQ2P-08	20.5	39	10
10	KQ2P-10	22	43	12
1/8"	KQ2P-01	16	31.5	5
5/32"	KQ2P-03	16	32	6
1/4"	KQ2P-07	18	35	8.5
5/16"	KQ2P-09	20.5	39	10

Manifold Option

▪ How to Order Interface Regulator (SY3000, 5000 only)

Series SY3000

ARBY3000 - **05** - **P** - 2

• **Regulating port**

P	P port
A1	A port (P controlled type, A port regulation)
B1	B port (P controlled type, B port regulation)

• **Pressure gauge connection port**

05	Pressure gauge (G15-10-01) [for odd number station]
06	Pressure gauge (G15-10-01) [for even number station]
M1	Plug (M-5P)

* In the case of Series ARBY3000 with a pressure gauge when mounting on the manifold, use caution that the part numbers are different between the odd no. stations and the even no.

Series SY5000

ARBY5000 - **00** - **P** - 2

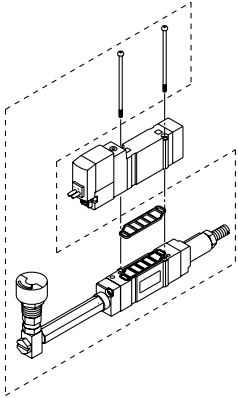
• **Regulating port**

P	P port
A1	A port (P controlled type, A port regulation)
B1	B port (P controlled type, B port regulation)

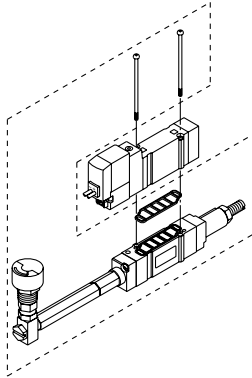
• **Pressure gauge connection port**

00	Pressure gauge (G15-10-01)
M1	Plug (M-5P)

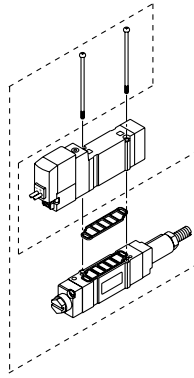
ARBY3000-05-□-2
(For mounting odd number stations)



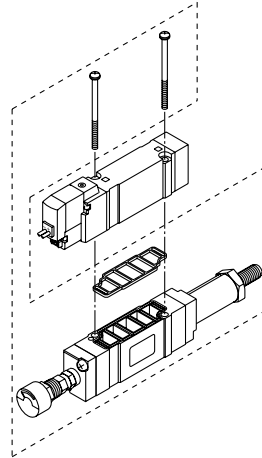
ARBY3000-06-□-2
(For mounting even number stations)



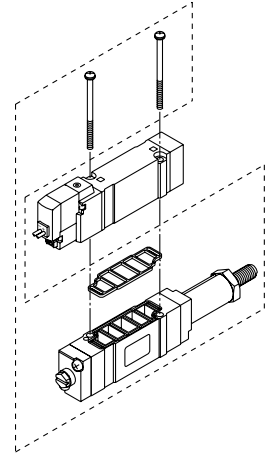
ARBY3000-M1-□-2



ARBY5000-00-□-2



ARBY5000-M1-□-2



Note) ARBY is not CE-compliant.

Accessory

Series	Round head combination screw	Gasket
ARBY3000	SY3000-23-10 (M2 x 36)	SX3000-57-4
ARBY5000	M3 x 48.5, Matt nickel plated	SX5000-57-6

⚠ Caution

Mounting screw
tightening torques

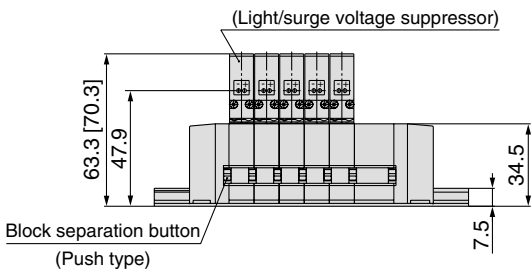
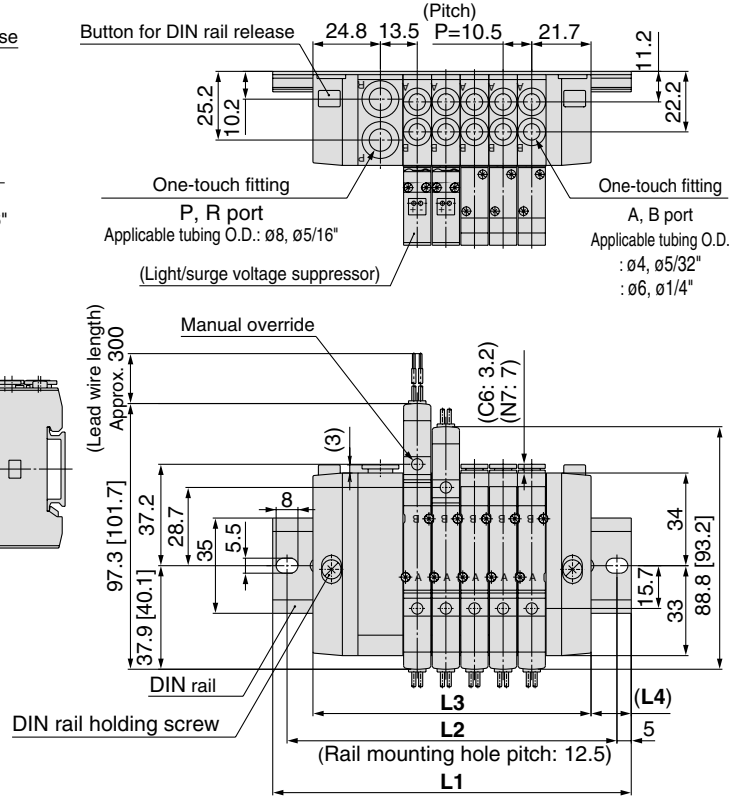
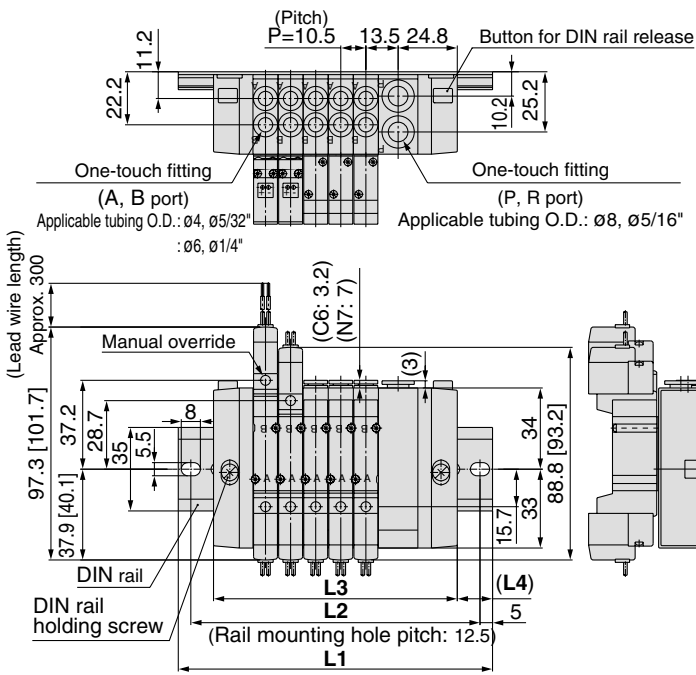
M2: 0.17 N·m
M3: 0.8 N·m



Dimensions: Series SY3000

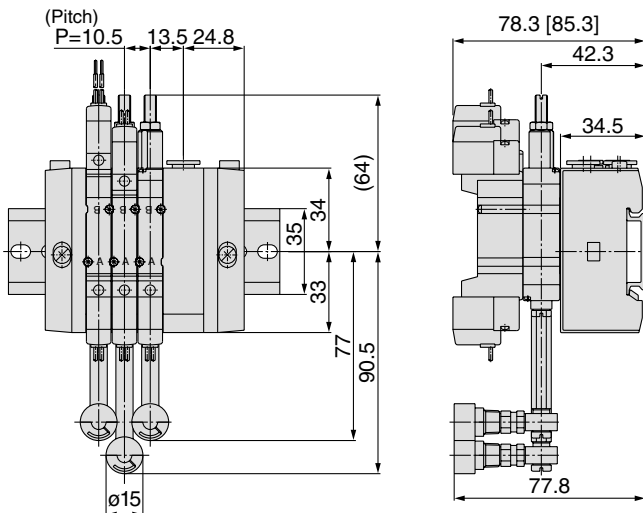
SS5Y3-45- Stations D-C4, N3 C6, N7

SS5Y3-45- Stations U-C4, N3 C6, N7



Stations n	2 stations	3	4	5	6	7	8	9	10 stations
L1	98	110.5	123	135.5	148	148	160.5	173	185.5
L2	87.5	100	112.5	125	137.5	137.5	150	162.5	175
L3	70.5	81	91.5	102	112.5	123	133.5	144	154.5
L4	13.5	14.5	15.5	16.5	17.5	12.5	13.5	14.5	15.5

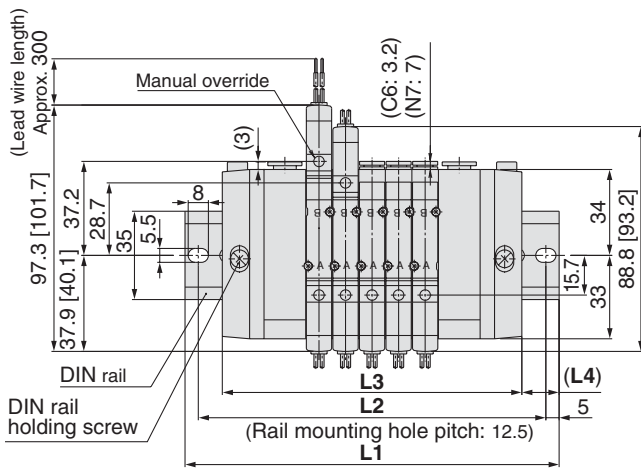
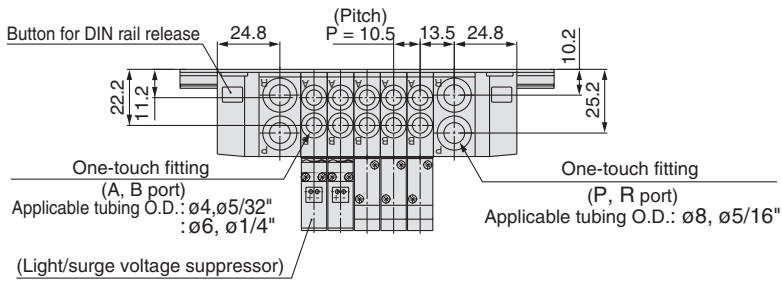
With interface regulator (with gauge)





Dimensions: Series SY3000

**SS5Y3-45- Stations B- C4, N3
C6, N7**

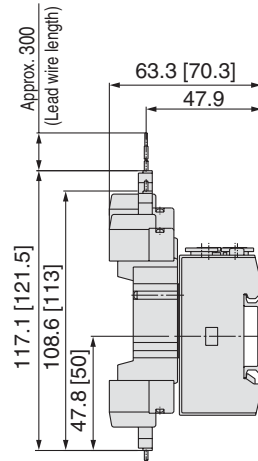


Stations n	2 stations	3	4	5	6	7	8	9	10 stations
L1	110.5	123	135.5	148	160.5	173	185.5	185.5	198
L2	100	112.5	125	137.5	150	162.5	175	175	187.5
L3	87	97.5	108	118.5	129	139.5	150	160.5	171
L4	11.5	12.5	13.5	14.5	15.5	16.5	17.5	12.5	13.5

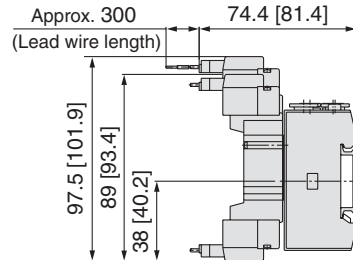
Stations n	11 stations	12	13	14	15	16	17	18	19	20 stations
L1	210.5	223	235.5	248	248	260.5	273	285.5	298	310.5
L2	200	212.5	225	237.5	237.5	250	262.5	275	287.5	300
L3	181.5	192	202.5	213	223.5	234	244.5	255	265.5	276
L4	14.5	15.5	16.5	17.5	12	13	14	15	16	17

Stations n	2 stations	3	4	5	6	7	8	9	10 stations
L1	98	110.5	123	135.5	148	148	160.5	173	185.5
L2	87.5	100	112.5	125	137.5	137.5	150	162.5	175
L3	70.5	81	91.5	102	112.5	123	133.5	144	154.5
L4	13.5	14.5	15.5	16.5	17.5	12.5	13.5	14.5	15.5

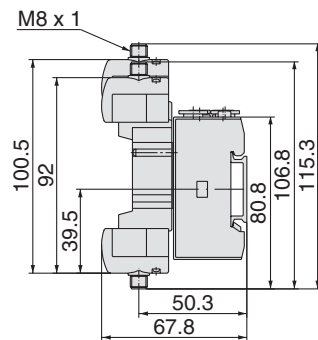
L plug connector



M plug connector



M8 connector (WO)



Note) Refer to page 340 for dimensions of connector types.

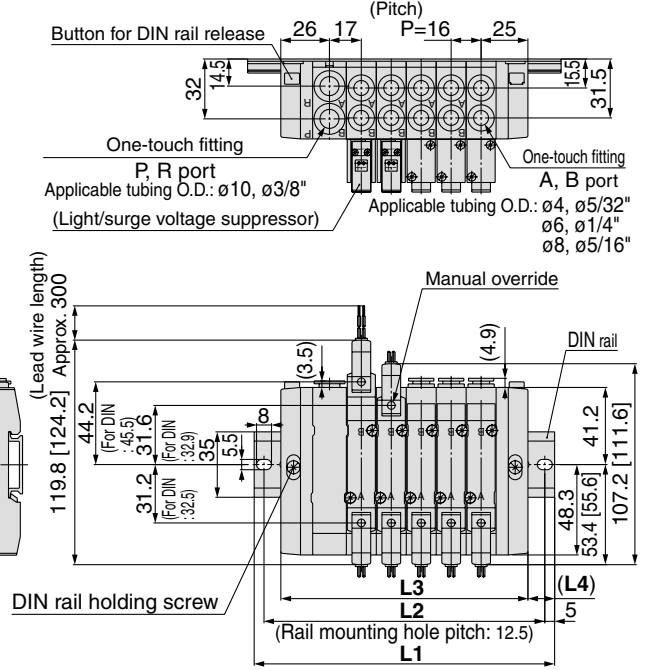
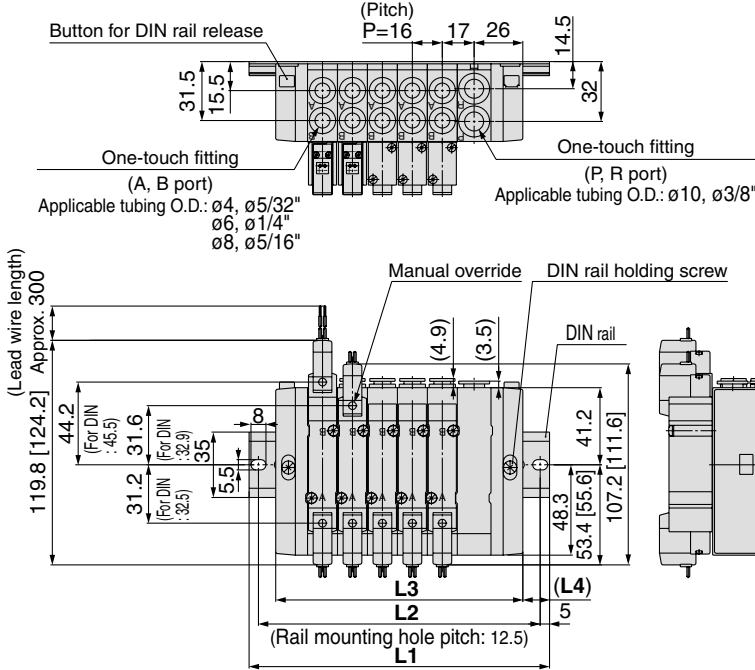
- SJ
- SY**
- SV
- SYJ
- SZ
- VP4
- S0700
- VQ
- VQ4
- VQ5
- VQC
- VQZ
- SQ
- VFS
- VFR
- VQ7



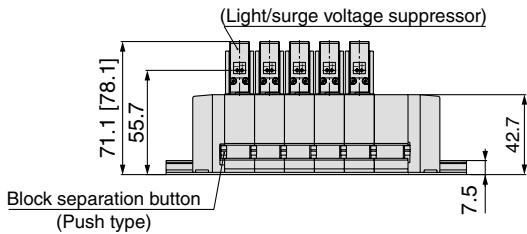
Dimensions: Series SY5000

SS5Y5-45- Stations D- C4, N3
C6, N7
C8, N9

SS5Y5-45- Stations U- C4, N3
C6, N7
C8, N9

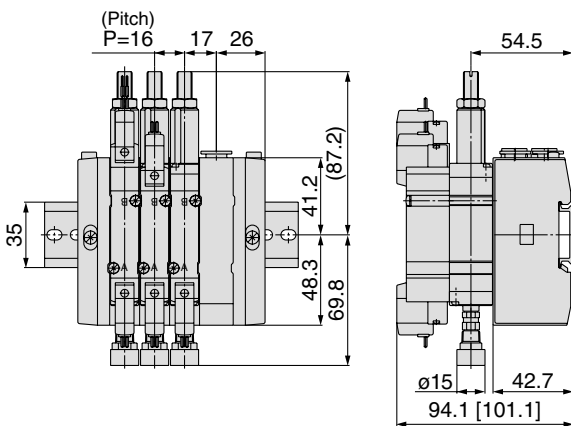


(Station n) --- (Station 1)



Stations n	2 stations	3	4	5	6	7	8	9	10 stations
L1	110.5	135.5	148	160.5	173	198	210.5	223	235.5
L2	100	125	137.5	150	162.5	187.5	200	212.5	225
L3	84	100	116	132	148	164	180	196	212
L4	13	17.5	16	14	12.5	17	15	13.5	11.5

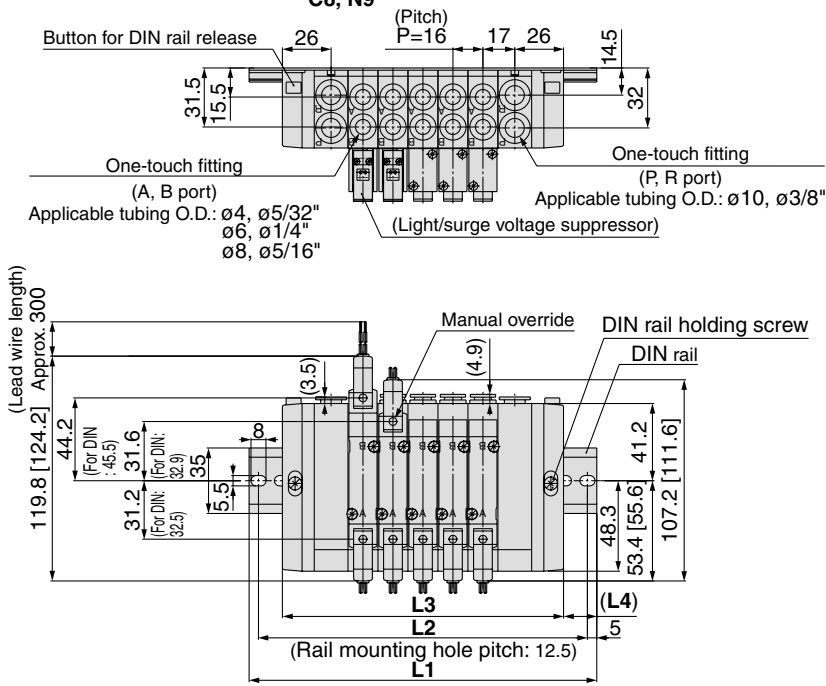
With interface regulator (with gauge)





Dimensions: Series SY5000

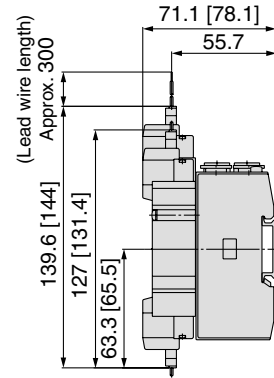
**SS5Y3-45- Stations B-C4, N3
C6, N7
C8, N9**



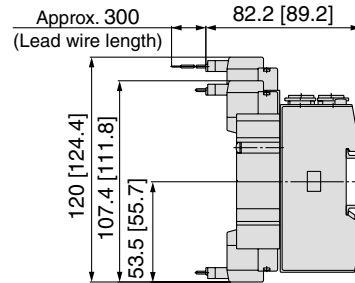
Stations n	2 stations	3	4	5	6	7	8	9	10 stations
L1	135.5	148	160.5	185.5	198	210.5	223	248	260.5
L2	125	137.5	150	175	187.5	200	212.5	237.5	250
L3	102	118	134	150	166	182	198	214	230
L4	16.5	15	13	17.5	16	14	12.5	17	15

Stations n	11 stations	12	13	14	15	16	17	18	19	20 stations
L1	273	285.5	310.5	323	335.5	360.5	373	385.5	398	423
L2	262.5	275	300	312.5	325	350	362.5	375	387.5	412.5
L3	246	262	278	294	310	326	342	358	374	390
L4	13.5	11.5	16	14.5	12.5	17	15.5	13.5	12	16.5

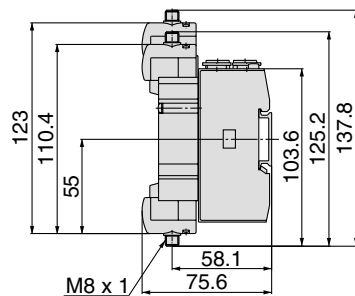
L plug connector



M plug connector

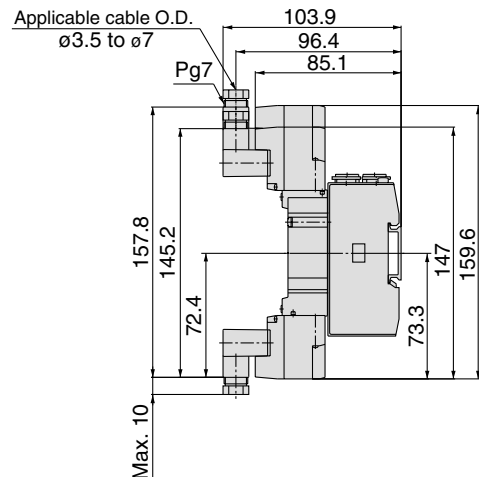


M8 connector (WO)



Note) Refer to page 340 for dimensions of connector types.

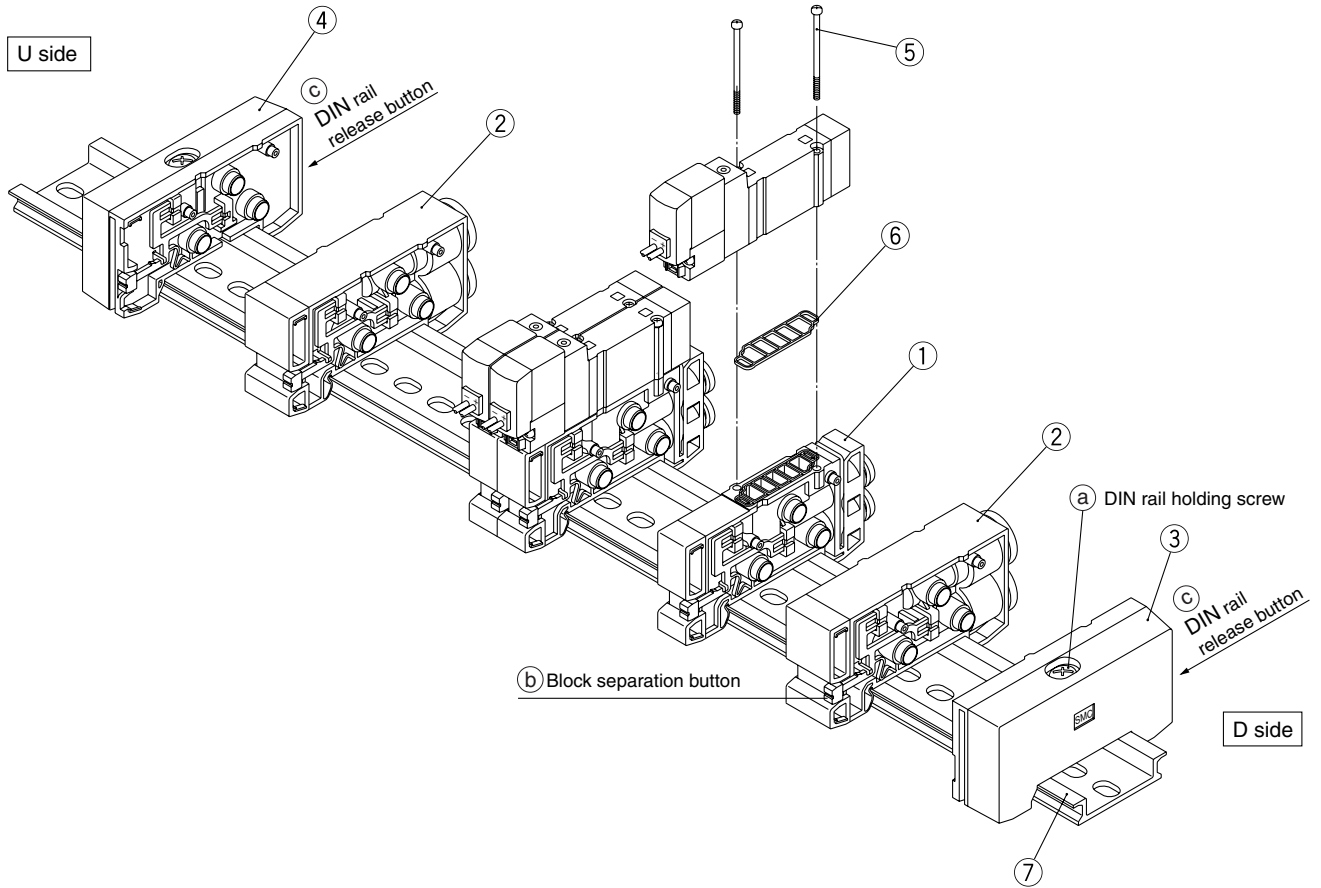
DIN terminal (D, Y)



- SJ
- SY**
- SV
- SYJ
- SZ
- VP4
- S0700
- VQ
- VQ4
- VQ5
- VQC
- VQZ
- SQ
- VFS
- VFR
- VQ7

DIN Rail Manifold Exploded View

Type 45



Replacement Parts

No.	Description	Part no.		Note
		SY3000	SY5000	
1	Manifold block assembly	SX3000-50-1A-□□(-Q)	SX5000-50-1A-□□(-Q)	□□: SY3000 (Metric size) C4: With one-touch fitting for ø4 (Inch size) N3: With one-touch fitting for ø5/32" C6: With one-touch fitting for ø6 N7: With one-touch fitting for ø1/4" SY5000 (Metric size) C4: With one-touch fitting for ø4 (Inch size) N3: With one-touch fitting for ø5/32" C6: With one-touch fitting for ø6 N7: With one-touch fitting for ø1/4" C8: With one-touch fitting for ø8 N9: With one-touch fitting for ø5/16" (Gasket 6 is supplied as an accessory.)
2	SUP/EXH block assembly	(Metric size) SX3000-51-1A (Inch size) SX3000-51-15A	(Metric size) SX3000-51-1A (Inch size) SX5000-51-15A	P, R port SY3000 (Metric size) With one-touch fitting for ø8 (Inch size) With one-touch fitting for ø5/16" P, R port SY5000 (Metric size) With one-touch fitting for ø10 (Inch size) With one-touch fitting for ø3/8"
3	End block assembly R	SX3000-52-1A(-Q)	SX5000-52-1A(-Q)	For D side
4	End block assembly L	SX3000-53-1A(-Q)	SX5000-53-1A(-Q)	For U side
5	Round head combination screw	SY3000-23-4	M3 x 26 (Matt nickel plated)	
6	Gasket	SX3000-57-4	SX5000-57-6	
7	DIN rail	VZ1000-11-1-□		Refer to page 247.

DIN Rail Manifold Exploded View

How to Increase Manifold Bases Station expansion is possible at any position.

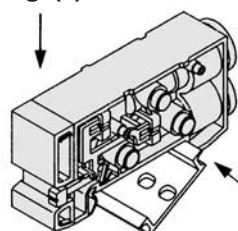
- 1 Loosen DIN rail holding screw (a) fixing the manifold base until it begins to turn idly. (While pressing DIN rail releasing buttons (c), at two locations, separate the manifold base from the DIN rail.)
- 2 Press manifold block assembly dividing button (b), that are at the location where manifold bases are to be added, until button (b) locks, and then separate the block assemblies.
- 3 Mount additional manifold block assembly on the DIN rail as shown in the figure 1.
- 4 Press the block assemblies until a click sound is produced, and tighten the DIN rail holding screw (a) to fix them to the DIN rail.
⚠ Caution (Tightening torque: 1.4 N·m)
 (While lightly holding the blocks after fixing an end block on one side, tighten the other end block for for better sealing.)

⚠ Caution

Note 1) When there are 10 or fewer manifold block assemblies, and more are added to make a total of 11 or more, a supply/exhaust block assembly must also be added.

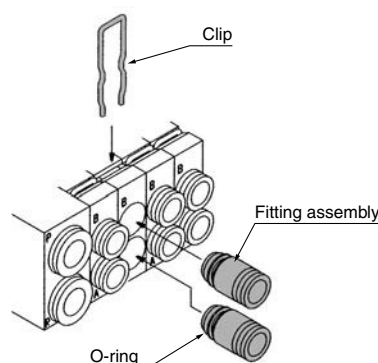
Note 2) When disassembly and assembly are performed, air leakage may result if connections between blocks and tightening of the end block's holding screw, is inadequate. Before supplying air, confirm that there are no gaps, etc. between blocks, and that manifold blocks are securely fastened to the DIN rail. Then supply air and confirm that there is no air leakage before operating.

Fig. (1) Block mounting procedure



Hook the DIN rail here and press down in the direction of the arrow until a click sound is heard.

How to Change Fitting Assembly



Type 45 manifold permits change in the A and B port sizes by changing the manifold block fitting assembly.

After removing the valve, remove the clip with a screwdriver, etc. For mounting a new fitting assembly, insert it and then insert a clip until it will not come out of the manifold block.

Fitting Assembly Part No.

Metric size

SY3000	One-touch fitting for $\phi 4$	VVQ1000-50A-C4
	One-touch fitting for $\phi 6$	VVQ1000-50A-C6
SY5000	One-touch fitting for $\phi 4$	VVQ1000-51A-C4
	One-touch fitting for $\phi 6$	VVQ1000-51A-C6
	One-touch fitting for $\phi 8$	VVQ1000-51A-C8

Inch size

SY3000	One-touch fitting for $\phi 5/32''$	VVQ1000-50A-N3
	One-touch fitting for $\phi 1/4''$	VVQ1000-50A-N7
SY5000	One-touch fitting for $\phi 5/32''$	VVQ1000-51A-N3
	One-touch fitting for $\phi 1/4''$	VVQ1000-51A-N7
	One-touch fitting for $\phi 5/16''$	VVQ1000-51A-N9



Note 1) P and R ports cannot be changed.

Note 2) Use caution that O-rings must be free from scratches and dust. Otherwise, air leakage may result.

SJ

SY

SV

SYJ

SZ

VP4

S0700

VQ

VQ4

VQ5

VQC

VQZ

SQ

VFS

VFR

VQ7

5 Port Solenoid Valve Base Mounted Manifold Stacking Type/DIN Rail Mounted/Connector Box

Series SY3000/5000



Type **45-A**
NA

How to Order Manifold

SS5Y **3** -45- **A** **U** -05 **D** -C6- - -

Series

3	SY3000
5	SY5000

Specifications

Symbol	Specifications
A	With connector box (+COM spec.)
NA	With connector box (-COM spec.)

The style of attached lead wire assembly is different.

Connector box mounting position

Symbol	Mounting position
U	U side
D	D side

Valve stations

Symbol	Stations	Note
02	2 stations	Applicable up to 16 solenoid valves.
:	:	
16	16 stations	

SUP/EXH block assembly mounting position

Symbol	Mounting position	Applicable stations
U	U side	2 to 10 stations
D	D side	
B	Both sides	2 to 16 stations
M*	Special specifications	

* For special specifications, indicate separately by the manifold specification sheet.

Option

When a longer DIN rail is desired than the specified stations, specify the station number to be required. (Max. 20 stations)

A/B port size

One-touch fitting (Metric size)

Symbol	Port size	Applicable series
C4	One-touch fitting for ø4	SY3000
C6	One-touch fitting for ø6	
M	Mixed	SY5000
C4	One-touch fitting for ø4	
C6	One-touch fitting for ø6	
C8	One-touch fitting for ø8	
M	Mixed	

One-touch fitting (Inch size)

Symbol	Port size	Applicable series
N3	One-touch fitting for ø ⁵ / ₃₂ "	SY3000
N7	One-touch fitting for ø ¹ / ₄ "	
M	Mixed	SY5000
N3	One-touch fitting for ø ⁵ / ₃₂ "	
N7	One-touch fitting for ø ¹ / ₄ "	
N9	One-touch fitting for ø ⁹ / ₁₆ "	
M	Mixed	

* In the case of mixed specifications, indicate separately on the manifold specification sheet.

CE-compliant

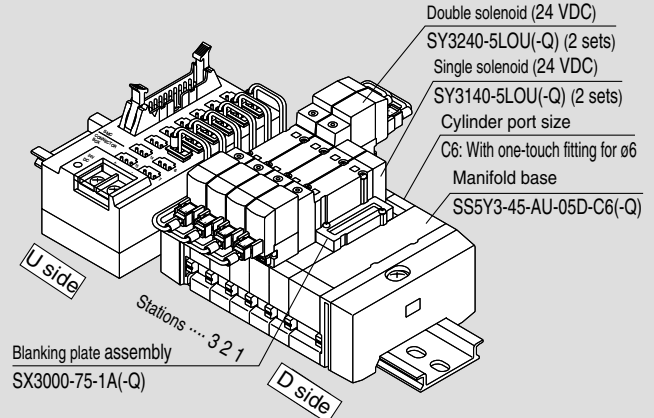
Nil	—
Q	CE-compliant



Refer to pages 324 to 328 for external pilot specifications and built-in silencer.

How to Order Manifold Assembly (Example)

Example (SY3000, +COM, U side)



SS5Y3-45-AU-05D-C6 1 set (Type 45, 5-station manifold base part no.)
 * SX3000-75-1A 1 set (Blanking plate assembly part no.)
 * SY3140-5LOU 2 sets (Single solenoid part no.)
 * SY3240-5LOU 2 sets (Double solenoid part no.)

The asterisk denotes the symbol for assembly. Prefix it to the part nos. of the solenoid valve, etc.

The valve arrangement is numbered as the 1st. station from D side regardless of the mounting position of connector box. In ordering, specify the part nos. in the order from the 1st. station on D side. Besides, when the arrangement will be complicated, fill out the manifold specification sheet to instruct us.

SS5Y³-45-A^U-□□-C□ is assembled with solenoid valve and lead wire assembly when shipping. When ordering manifold only (without valves/wires/options), refer to how to order on page 244 and list the connector box (VZ3000-106-1A) and the rail stopper (TXE1-SMC) below the manifold to allow for the connector box mounting at U side. (Be sure to order DIN rail 3 station longer than number of the manifold stations.) In this case, please note that dimensions, L1 and L2 on pages 260 and 261 may vary slightly.) For other components, refer to page 262.

How to Order Valve

SY **5** **2** 40-5 LOU - - -

Series

3	SY3000
5	SY5000

Rated voltage

5 24 VDC

Type of actuation

1	2 position single
2	2 position double
3	3 position closed center
4	3 position exhaust center
5	3 position pressure center

Manual override

Nil	Non-locking push type
D	Push-turn locking slotted type
E	Push-turn locking lever type

Made to Order

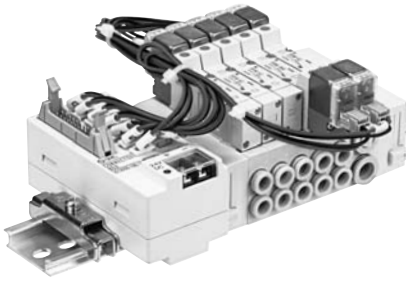
Nil	—
X90	Main valve fluoro rubber (Refer to page 332.)

CE-compliant

Nil	—
Q	CE-compliant



When ordering valve as a single unit, gaskets for the stacking base type are not included. Order them separately, if necessary. (Refer to page 262 for details.)



Manifold Specifications

Model	SS5Y3-45-A-NA-(Q)		SS5Y5-45-A-NA-(Q)	
Applicable valve	SY3□40		SY5□40	
Manifold type	Stacking type/DIN rail mounted			
P (SUP)/R (EXH)	Common SUP, Common EXH			
Valve stations	2 to 16 stations <small>Note 1, 2)</small>			
A, B port	Base			
Porting specifications	Location		Side	
	P, R port		C8 (One-touch fitting for ø8)	
	A, B port		C4 (One-touch fitting for ø4) C6 (One-touch fitting for ø6) C8 (One-touch fitting for ø8)	
Manifold base mass W (g)	2 to 10 stations: W = 26n + 207 11 to 20 stations: W = 26n + 229		2 to 10 stations: W = 52n + 245 11 to 16 stations: W = 52n + 279	
n: Stations				
Applicable flat ribbon cable connector	Flat ribbon cable connector Socket: 20 pins MIL type with strain relief conforming to MIL-C-83503			
Wiring specifications	+COM specifications (Type 45-A), -COM specifications (Type 45-NA)			

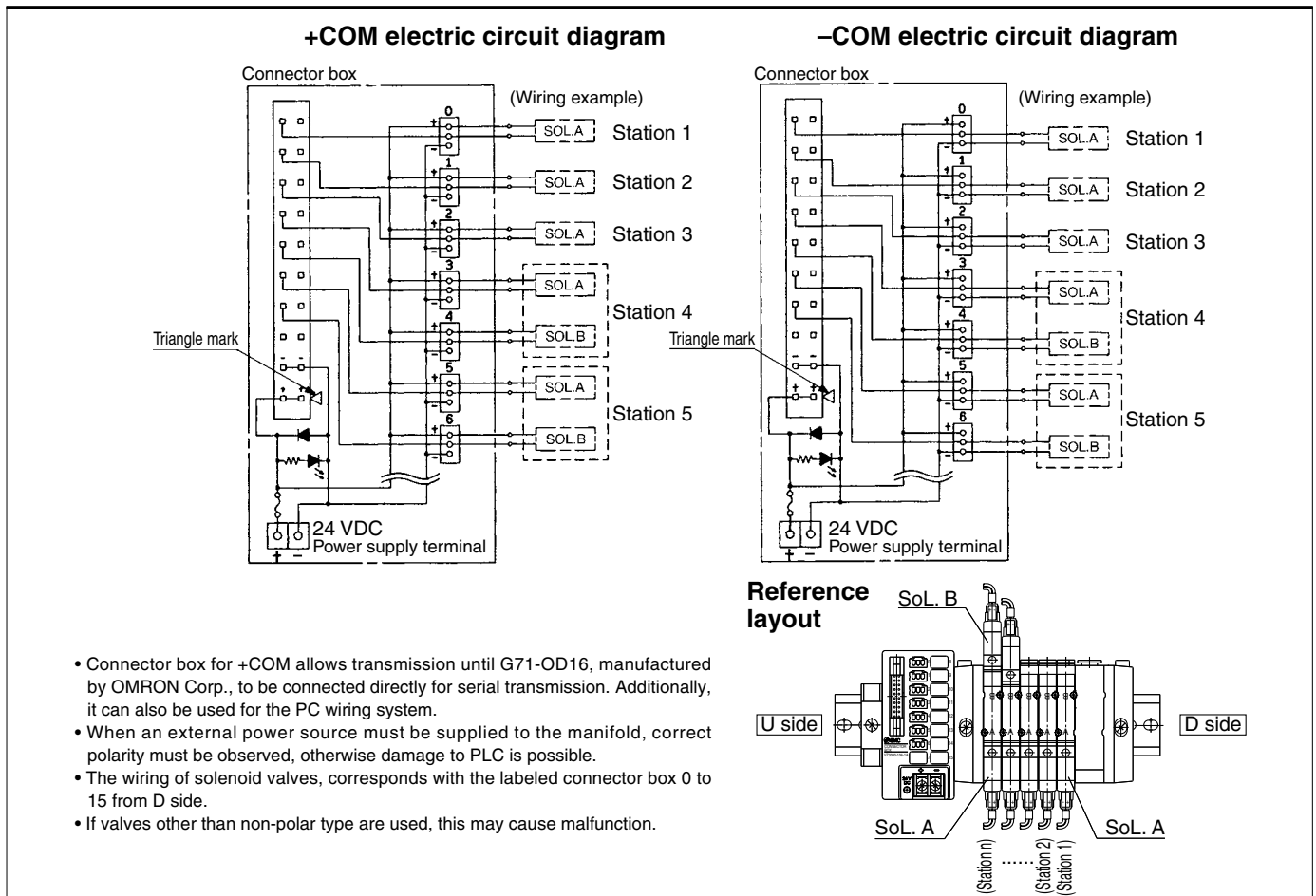
Note 1) For more than 11 stations, supply pressure to P port on both sides and exhaust from R port on both sides.
Note 2) There is a limit depending on the number of solenoids. Refer to "How to Order".

Flow Characteristics

Model	Port size		Flow characteristics					
	1, 5, 3 (P, EA, EB)	4, 2 (A, B)	1 → 4/2 (P → A/B)			4/2 → 5/3 (A/B → EA/EB)		
			C (dm ³ /(s·bar))	b	Cv	C (dm ³ /(s·bar))	b	Cv
SS5Y3-45-□	C8	C6	0.88	0.21	0.22	0.95	0.18	0.22
SS5Y5-45-□	C10	C8	2.2	0.24	0.53	2.5	0.18	0.58

Note) The value is for manifold base with 5 stations and individually operated 2 position type.

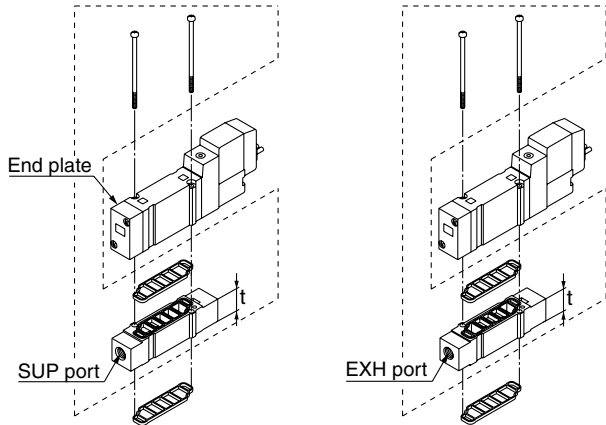
Manifold Wiring Diagram (Circuit diagram for the reference layout)



SJ
SY
SV
SYJ
SZ
VP4
S0700
VQ
VQ4
VQ5
VQC
VQZ
SQ
VFS
VFR
VQ7

Manifold Option

- Individual SUP spacer assembly
- Individual EXH spacer assembly



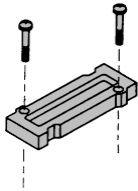
Series	Assembly part no.	Port size	t
SY3000	SY3000-38-2A(-Q)	M5 x 0.8	11
SY5000	SY5000-38-16+A(-Q)	1/8"	15

Note) The SUP port may be either on the lead wire side or on the end plate side. (An assembly is shipped under the condition shown in the figure.)

Series	Assembly part no.	Port size	t
SY3000	SY3000-39-2A(-Q)	M5 x 0.8	11
SY5000	SY5000-39-16+A(-Q)	1/8"	15

Note) The EXH port may be either on the lead wire side or on the end plate side. (An assembly is shipped under the condition shown in the figure.)

- Blanking plate assembly



Series	Assembly part no.
SY3000	SX3000-75-1A(-Q)
SY5000	SX5000-76-5A(-Q)

* Thread type

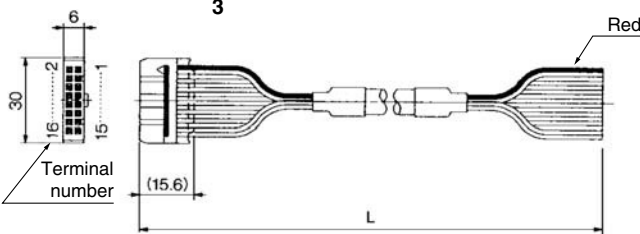
Nil	Rc
F	G
N	NPT
T	NPTF

Caution

Mounting screw tightening torques

- M2: 0.16 N·m
- M3: 0.8 N·m
- M4: 1.4 N·m

- Cable assembly
AXT100-FC20-1



Connector Assembly for Flat Ribbon Cables

Cable length (L)	Assembly part no.	Note
1.5 m	AXT100-FC20-1	Cable 20 core x 22 AWG
3 m	AXT100-FC20-2	
5 m	AXT100-FC20-3	

* For other commercial connectors, use a 20 pins with strain relief conforming to MIL-C-83503.

Connector manufacturers' example

- Sumitomo 3M Limited
- Fujitsu Limited
- Japan Aviation Electronics Industry, Ltd.
- J.S.T. Mfg. Co., Ltd.

Warning

When mounting a valve or spacer on the manifold base or sub-plate, etc., those mounting directions are determined. If mounted in the wrong direction, the equipment to be connected may cause malfunction. Refer to external dimensions, and then mount it.

- SUP blocking disk

By installing a SUP blocking disk in the pressure supply passage of a manifold valve, it is possible to supply two or more different high and low pressures to one manifold.



Series	Part no.
SY3000	SX3000-77-1A
SY5000	SX5000-77-1A

- EXH blocking disk

By installing an EXH blocking disk in the exhaust passage of a manifold valve, it is possible to divide the valve's exhaust so that it does not affect another valve. (Two blocking disks are needed to divide both exhausts.)



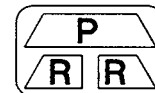
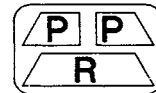
Series	Part no.
SY3000	SX3000-77-1A
SY5000	SX5000-77-1A

- Label for block disk

The labels shown below are used on manifold stations containing SUP/EXH blocking disk(s) to show their location. (3 pcs. each)

VZ3000-123-1A

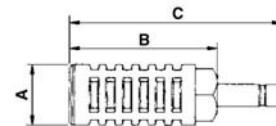
Label for SUP block disk Label for EXH block disk Label for SUP/EXH block disk



Note) When a block disk is concurrently ordered by specifying on the manifold specification sheet, etc., a label will be stuck on the position where block disk is mounted.

- Silencer with One-touch fitting

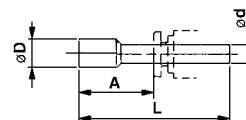
The silencer plugs directly into the One-touch fittings of the manifold.



Series	Model	Effective area	A	B	C
For SY3000 (ø8)	AN203-KM8	14 mm ²	ø16	26	51
For SY5000 (ø10)	AN200-KM10	26 mm ²	ø22	53.8	80.8
	AN300-KM10	30 mm ²	ø25	70	97

- Plug (white)

These are inserted in unused cylinder ports and SUP, EXH ports. Purchasing order is available in units of 10 pieces.



Dimensions

Applicable fittings size ød	Model	A	L	D
4	KQ2P-04	16	32	6
6	KQ2P-06	18	35	8
8	KQ2P-08	20.5	39	10
10	KQ2P-10	22	43	12
1/8"	KQ2P-01	16	31.5	5
5/32"	KQ2P-03	16	32	6
1/4"	KQ2P-07	18	35	8.5
5/16"	KQ2P-09	20.5	39	10

Manifold Option

▪How to Order Interface regulator (SY3000, 5000 only)

Series SY3000

ARBY3000 - 05 - P - 2

• **Regulating port**

P	P port
A1	A port (P controlled type, A port regulation)
B1	B port (P controlled type, B port regulation)

• **Pressure gauge connection port**

05	Pressure gauge (G15-10-01) [for odd number station]
06	Pressure gauge (G15-10-01) [for even number station]
M1	Plug (M-5P)



* In the case of Series ARBY3000 with a pressure gauge when mounting on the manifold, use caution that the part numbers are different between the odd no. stations and the even no. stations to avoid gauges from interfering from each others.

Series SY5000

ARBY5000 - 00 - P - 2

• **Regulating port**

P	P port
A1	A port (P controlled type, A port regulation)
B1	B port (P controlled type, B port regulation)

• **Pressure gauge connection port**

00	Pressure gauge (G15-10-01)
M1	Plug (M-5P)

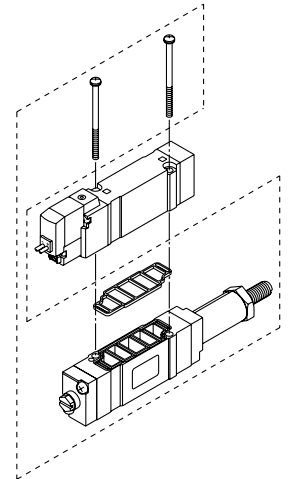
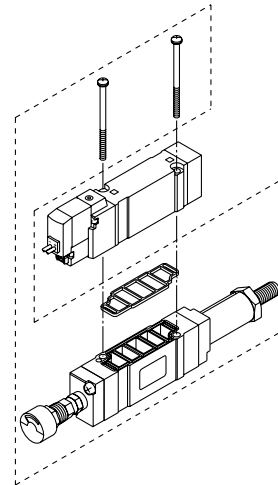
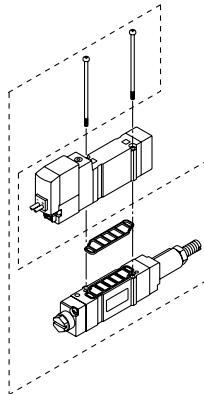
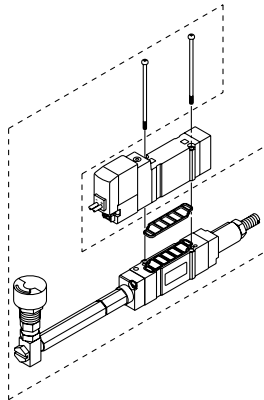
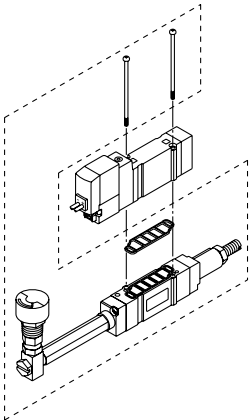
ARBY3000-05-□-2
(For odd number stations)

ARBY3000-06-□-2
(For even number stations)

ARBY3000-M1-□-2

ARBY5000-00-□-2

ARBY5000-M1-□-2



Note) ARBY is not CE-compliant.

Accessory

Series	Round head combination screw	Gasket
ARBY3000	SY3000-23-10 (M2 x 36)	SX3000-57-4
ARBY5000	M3 x 48.5, Matt nickel plated	SX5000-57-6

⚠ Caution

Mounting screw tightening torques

M2: 0.16 N·m

M3: 0.8 N·m

SJ

SY

SV

SYJ

SZ

VP4

S0700

VQ

VQ4

VQ5

VQC

VQZ

SQ

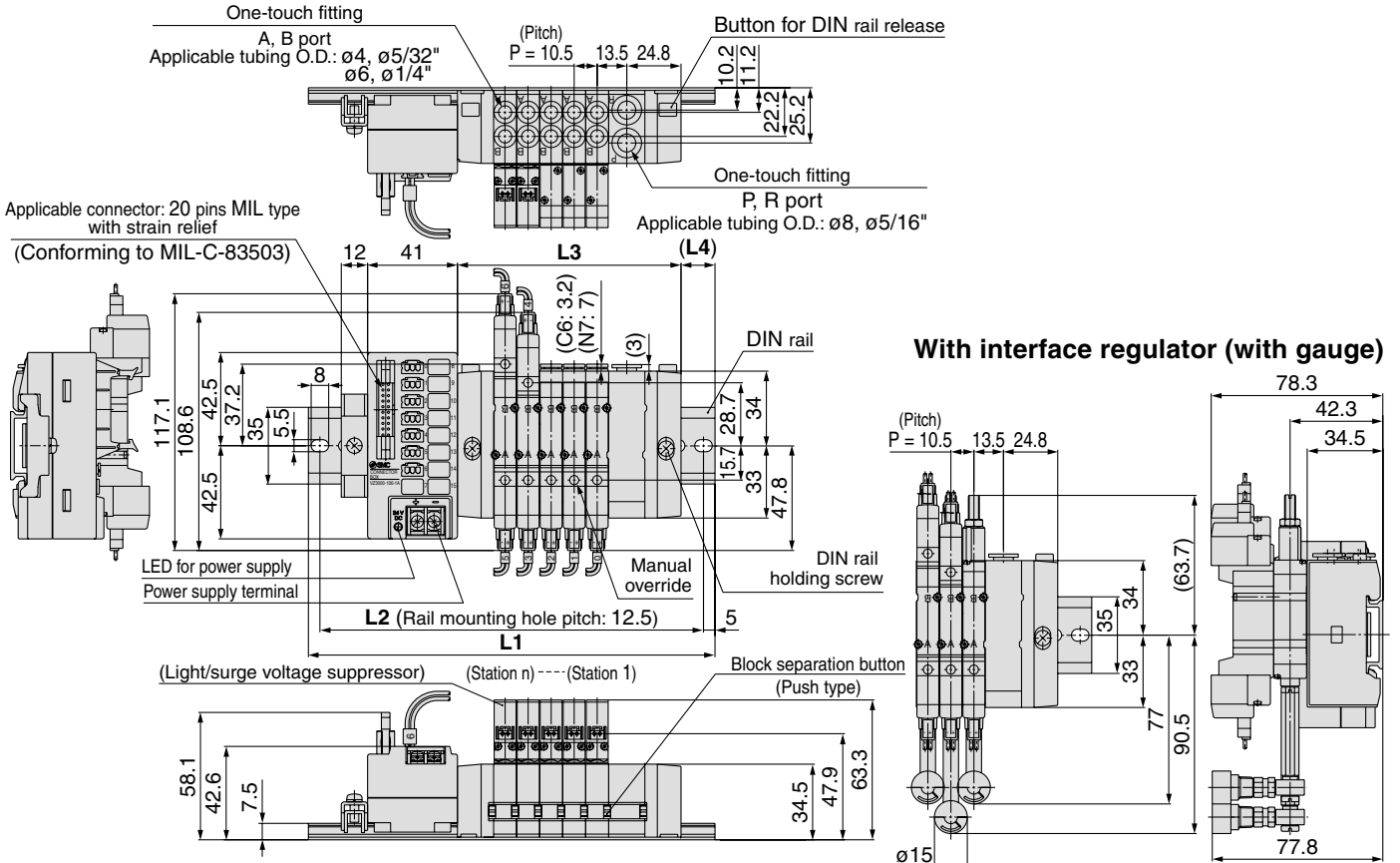
VFS

VFR

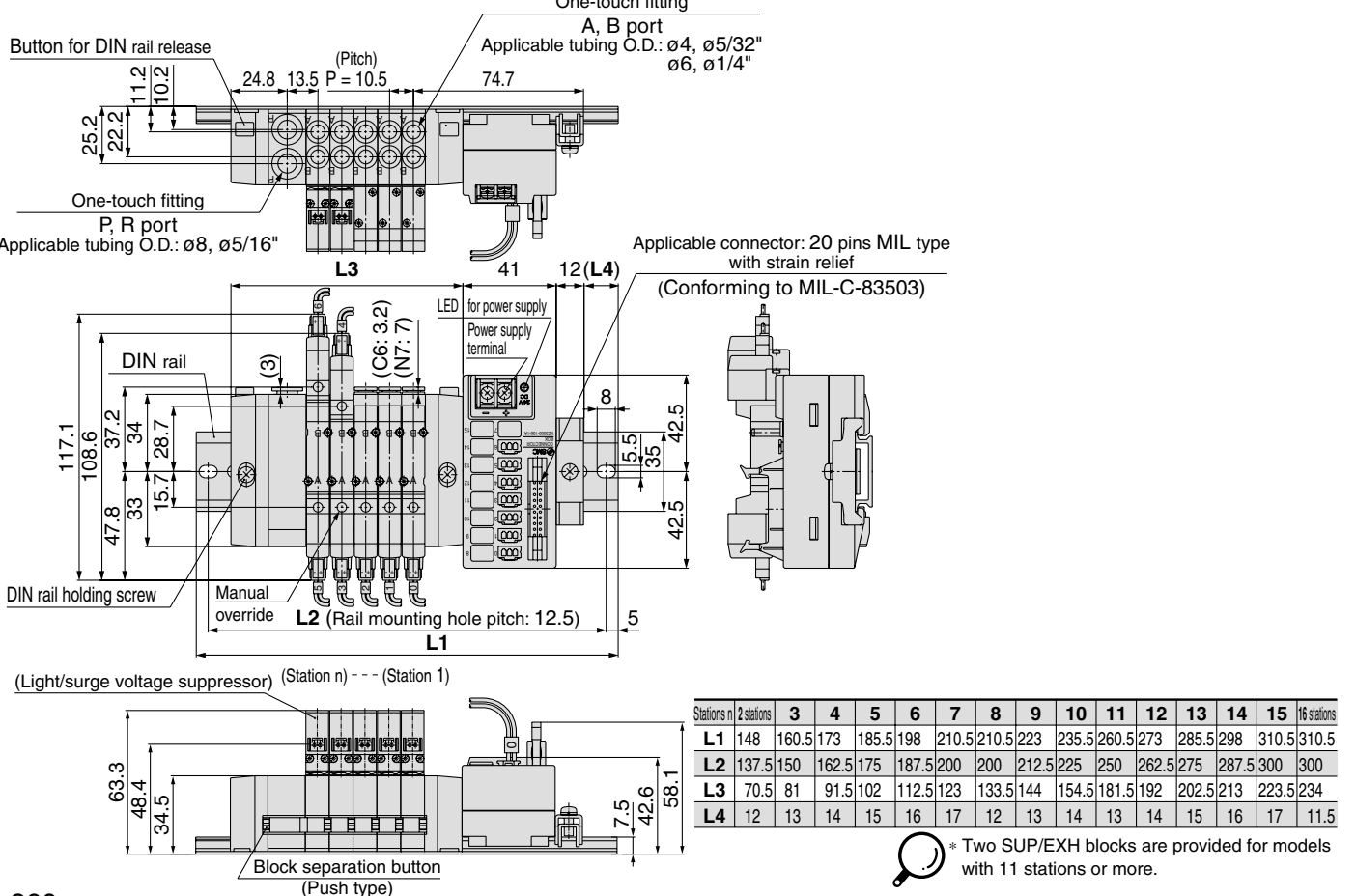
VQ7

Dimensions: Series SY3000

SS5Y3-45-AU- Stations D- C4, N3 C6, N7

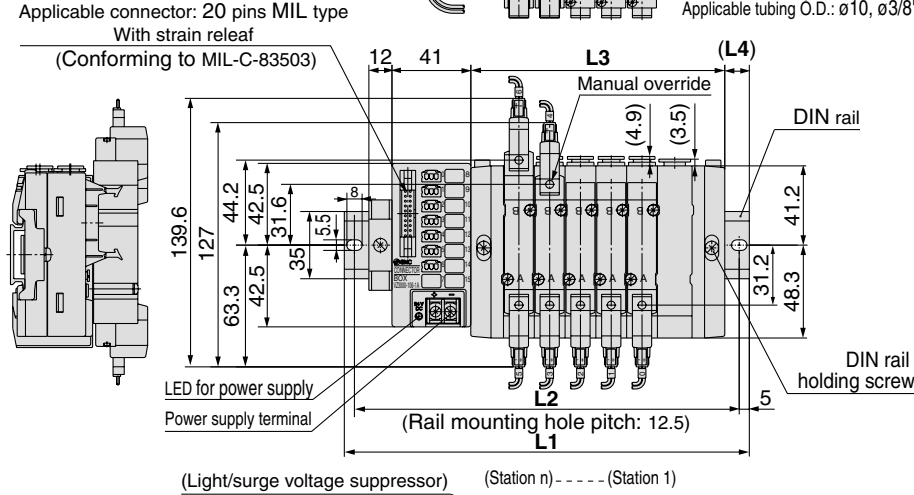
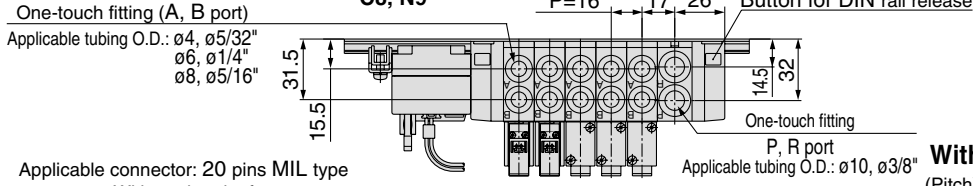


SS5Y3-45-AD- Stations U- C4, N3 C6, N7

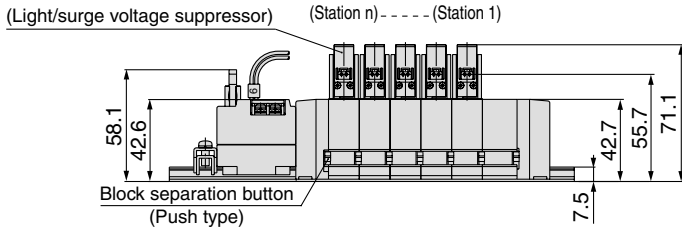
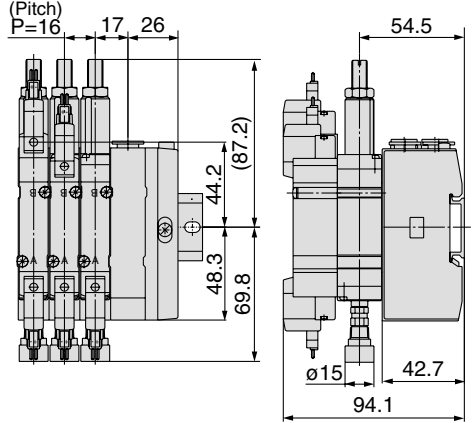


Dimensions: Series SY5000

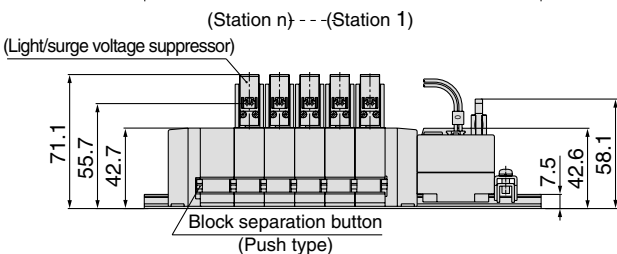
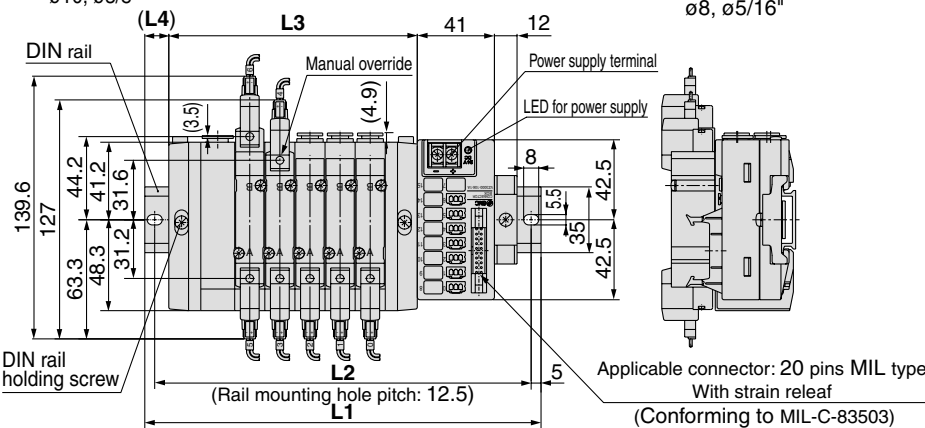
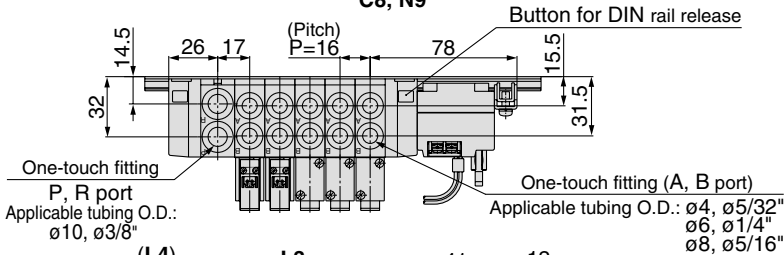
SS5Y5-45-AU- Stations D- C4, N3
C6, N7
C8, N9



With interface regulator (with gauge)



SS5Y5-45-AD- Stations U- C4, N3
C6, N7
C8, N9



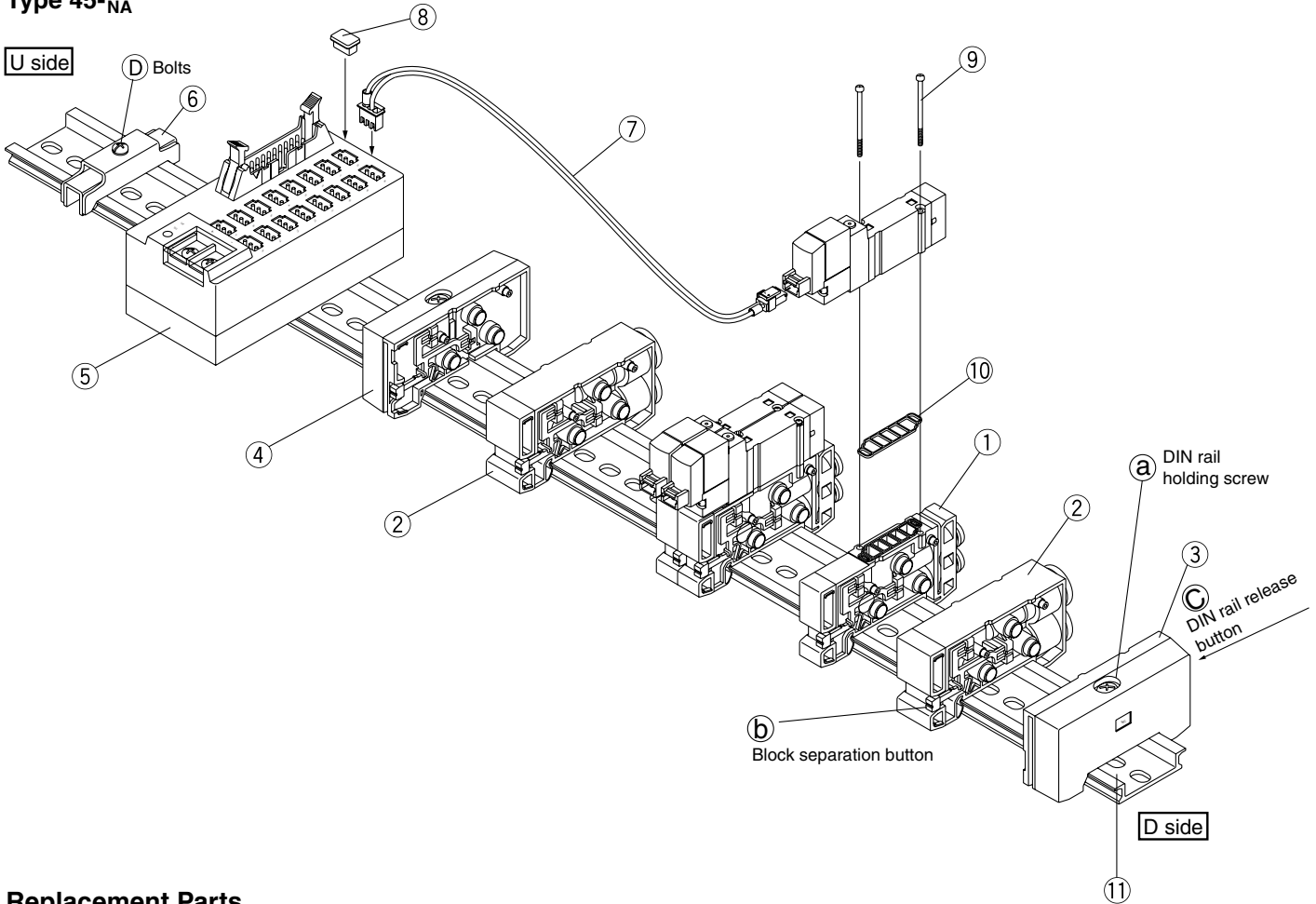
Stations n	2 stations	3	4	5	6	7	8	9	10	11	12	13	14	15	16 stations
L1	160.5	185.5	198	210.5	235.5	248	260.5	273	298	323	348	360.5	373	398	410.5
L2	150	175	187.5	200	225	237.5	250	262.5	287.5	312.5	337.5	350	362.5	387.5	400
L3	84	100	116	132	148	164	180	196	212	246	262	278	294	310	326
L4	11.5	16	14.5	12.5	17	15.5	13.5	12	16.5	12	16.5	14.5	13	17.5	15.5

* Two SUP/EXH blocks are provided for models with 11 stations or more.

- SJ
- SY
- SV
- SYJ
- SZ
- VP4
- S0700
- VQ
- VQ4
- VQ5
- VQC
- VQZ
- SQ
- VFS
- VFR
- VQ7

DIN Rail Manifold Exploded View

Type 45-^ANA



Replacement Parts

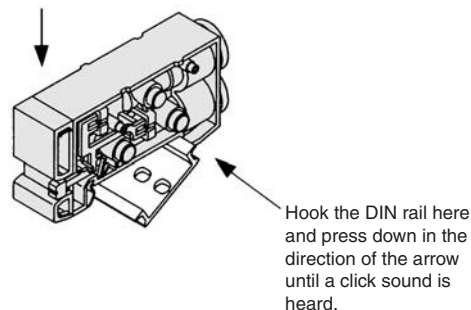
No.	Description	Part no.		Note
		SY3000	SY5000	
1	Manifold block assembly	SX3000-50-1A-□□(-Q)	SX5000-50-1A-□□(-Q)	•SY3000 (Metric size) (Inch size) C4: With one-touch fitting for ø4 N3: With one-touch fitting for ø5/32" C6: With one-touch fitting for ø6 N7: With one-touch fitting for ø1/4" •SY5000 (Metric size) (Inch size) C4: With one-touch fitting for ø4 N3: With one-touch fitting for ø5/32" C6: With one-touch fitting for ø6 N7: With one-touch fitting for ø1/4" C8: With one-touch fitting for ø8 N9: With one-touch fitting for ø5/16" (Gasket 10 is supplied as an accessory.)
2	SUP/EXH block assembly	(Metric size) SX3000-51-1A (Inch size) SX3000-51-15A	(Metric size) SX3000-51-1A (Inch size) SX5000-51-15A	P, R port SY3000 (Metric size) With one-touch fitting for ø8 (Inch size) With one-touch fitting for ø5/16" P, R port SY5000 (Metric size) With one-touch fitting for ø10 (Inch size) With one-touch fitting for ø3/8"
3	End block assembly R	SX3000-52-1A(-Q)	SX5000-52-1A(-Q)	For D side
4	End block assembly L	SX3000-53-1A(-Q)	SX5000-53-1A(-Q)	For U side
5	Connector box	VZ3000-106-1A		For 24 VDC only
6	Rail stopper	TXE1-SMC		Made by Kasuga Electric Works
7	Connecter assembly	SY3000-43-1A-□	SY3000-43-2A-□	+COM Type D, 2 to 8 stations Type U, 9 to 16 stations
		SY3000-43-2A-□	SY3000-43-3A-□	+COM Type D, 9 to 16 stations Type U, 2 to 8 stations
		SY3000-43-1NA-□	SY3000-43-2NA-□	-COM Type D, 2 to 8 stations Type U, 9 to 16 stations
		SY3000-43-2NA-□	SY3000-43-3NA-□	-COM Type D, 9 to 16 stations Type U, 2 to 8 stations
8	Dust cap	VZ3000-63-2		
9	Round head combination screw	SY3000-23-4	M3 x 26, Matt nickel plated	
10	Gasket	SX3000-57-4	SX5000-57-6	
11	DIN rail	VZ1000-11-1-□		Refer to page 247.

How to Increase Manifold Bases

Station expansion is possible at any position.

- 1 Loosen DIN rail holding screw (a) fixing the manifold base until it begins to turn idly. (While pressing DIN rail releasing buttons (c), at two locations, separate the manifold base from the DIN rail.)
- 2 Press manifold block assembly dividing button (b), that are at the location where manifold bases are to be added, until button (b) locks, and then separate the block assemblies.
- 3 Mount additional manifold block assembly on the DIN rail as shown in the figure 1.
- 4 Press the block assemblies until a click sound is produced, and tighten the DIN rail holding screw (a) to fix them to the DIN rail.
⚠Caution (Tightening torque: 1.4 N·m)
 (While lightly holding the blocks after fixing an end block on one side, tighten the other end block for for better sealing.)
- 5 Untighten the rail stopper bolt (d) to demount the connector box from the DIN rail, and when remounting it, tighten the bolt while pressing it against the rail.

Fig. (1) Block mounting procedure



⚠Caution

- Note 1) When there are 10 or fewer manifold block assemblies, and more are added to make a total of 11 or more, a supply/exhaust block assembly must also be added.
- Note 2) When disassembly and assembly are performed, air leakage may result if connections between blocks and tightening of the end block's holding screw, is inadequate. Before supplying air, confirm that there are no gaps, etc. between blocks, and that manifold blocks are securely fastened to the DIN rail. Then supply air and confirm that there is no air leakage before operating.
- Note 3) One connector assembly is necessary for one solenoid.
 When a number is necessary for the connector assembly mark tube, suffix the number to the part no. (0 to 15 are provided as mark tube numbers.)
 Ex) +COM spec.: D type for 2 to 8 stations: No. 10
SY3000-43-1A-10

How to Change Fitting Assembly

Type 45 manifold permits change in the A and B port sizes by changing the manifold block fitting assembly.
 After removing the valve, remove the clip with a screwdriver, etc. For mounting a new fitting assembly, insert it and then insert a clip until it will not come out of the manifold block.

Fitting Assembly Part No.

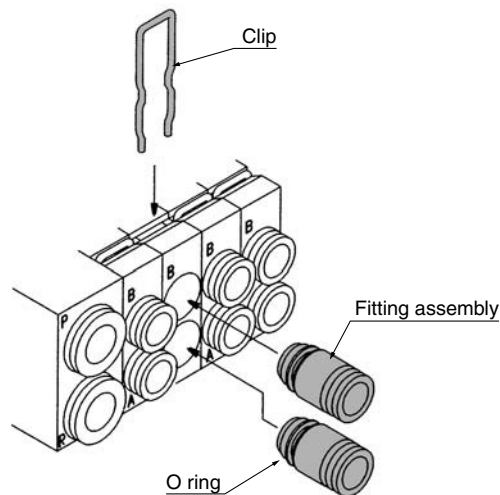
Metric size

SY3000	One-touch fitting for ø4	VVQ1000-50A-C4
	One-touch fitting for ø6	VVQ1000-50A-C6
SY5000	One-touch fitting for ø4	VVQ1000-51A-C4
	One-touch fitting for ø6	VVQ1000-51A-C6
	One-touch fitting for ø8	VVQ1000-51A-C8

Inch size

SY3000	One-touch fitting for ø ⁵ / ₃₂ "	VVQ1000-50A-N3
	One-touch fitting for ø ¹ / ₄ "	VVQ1000-50A-N7
SY5000	One-touch fitting for ø ⁵ / ₃₂ "	VVQ1000-51A-N3
	One-touch fitting for ø ¹ / ₄ "	VVQ1000-51A-N7
	One-touch fitting for ø ⁵ / ₁₆ "	VVQ1000-51A-N9

- ⦿ Note 1) P and R ports cannot be changed.
 Note 2) Use caution that O-rings must be free from scratches and dust. Otherwise, air leakage may result.



- SJ
- SY**
- SV
- SYJ
- SZ
- VP4
- S0700
- VQ
- VQ4
- VQ5
- VQC
- VQZ
- SQ
- VFS
- VFR
- VQ7

EX510 Gateway System Serial Transmission System Base Mounted Manifold/Stacking Type

Series SY3000/5000

Type **45S6A**

How to Order Manifold

SS5Y 3 - 45S6A [] U - 02 U [] - C4 - [] - []

Manifold series

3	SY3000
5	SY5000

SI unit

Nil	NPN output (+COM.)
N	PNP output (-COM.)

SI unit mounting position

U	U side
D	D side

Valve stations

Symbol	Stations	Note
02	2 stations	Double wiring ^{Note 1)}
:	:	
08	8 stations	Specified layout ^{Note 2)} (Compatible with 16 solenoid valves)
02	2 stations	
:	:	
16	16 stations	

CE-compliant

Nil	—
Q	CE-compliant

Option
When a DIN rail that is longer than the specified stations is desired, specify the required station number. (Max. 20 stations)

A, B port size

One-touch fitting (Metric size)

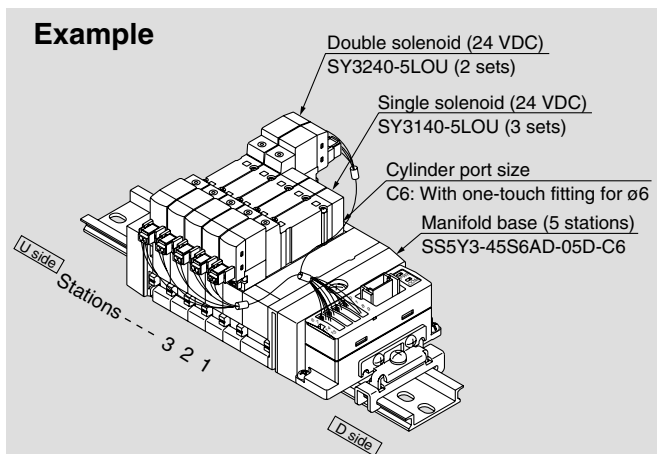
C4	One-touch fitting for ø4	SY3000
C6	One-touch fitting for ø6	
M	Mixed	SY5000
C4	One-touch fitting for ø4	
C6	One-touch fitting for ø6	
C8	One-touch fitting for ø8	
M	Mixed	

One-touch fitting (Inch size)

N3	One-touch fitting for ø5/32"	SY3000
N7	One-touch fitting for ø1/4"	
M	Mixed	SY5000
N3	One-touch fitting for ø5/32"	
N7	One-touch fitting for ø1/4"	
N9	One-touch fitting for ø5/16"	
M	Mixed	

Note 1) Double wiring: Use of a single solenoid will result in an unused control signal. If this is not desired, order with a specified layout.
Note 2) Specified layout: Indicate wiring specifications on the manifold specification sheet. (Note that double and 3 position valves cannot be used where single solenoid wiring has been specified.)

How to Order Manifold Assembly (Order Example)



SS5Y3-45S6AD-05D-C6 · 1 set (45S6A type 5-station manifold part no.)
 * **SY3140-5LOU** 3 sets (Single solenoid part no.)
 * **SY3240-5LOU** 2 sets (Double solenoid part no.)
 → The asterisk denotes the symbol for assembly. Prefix to the part no. of the solenoid valve, etc.

Add the valve and option part number under the manifold base part number. When entry of part numbers becomes complicated, indicate by the manifold specification sheet. For a manifold for an EX510, the length of the lead wire for a connector assembly depends on the number of stations. Therefore, the manifold assembly is shipped with the valves (including blanking plates) and connector assembly mounted on it, as the standard specification. Be sure to specify the part nos. of the solenoid valves to be mounted.

Pilot specifications

Nil	Internal pilot
S	Internal pilot/built-in silencer
R	External pilot
RS	External pilot/built-in silencer

SUP/EXH block assembly mounting position

U	U side	2 to 10 stations
D	D side	
B	Both sides	2 to 16 stations
M	Special specifications*	

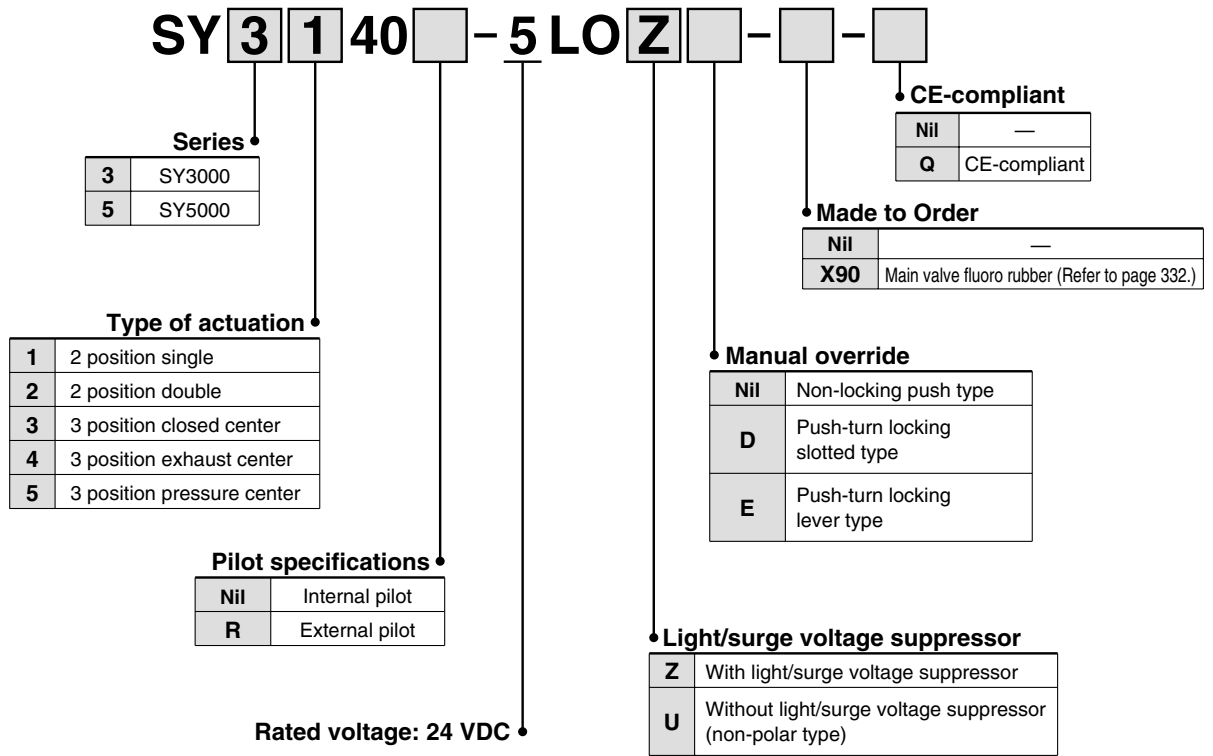
*For the special specifications, indicate separately on a manifold specification sheet.

SI unit part no.

Symbol	SI unit specifications	SI unit part no.	Page
Nil	NPN output (+COM.)	EX510-S001	P.1715 to 1717
N	PNP output (-COM.)	EX510-S101	

For details of "Gateway System Serial Transmission System, Series EX510", refer to pages 1696 through to 1724.

How to Order Valves

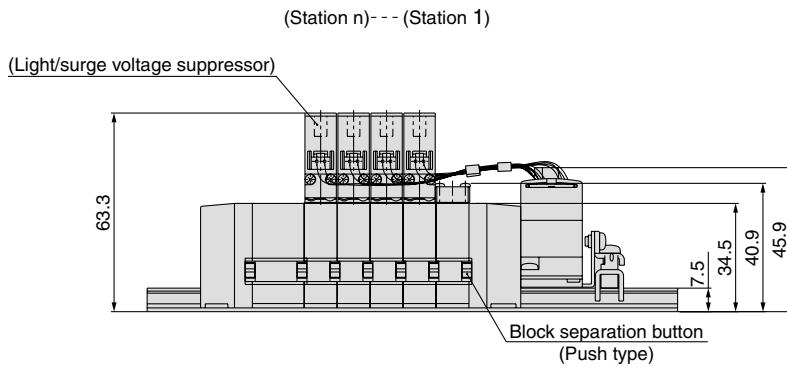
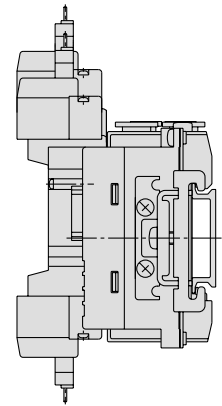
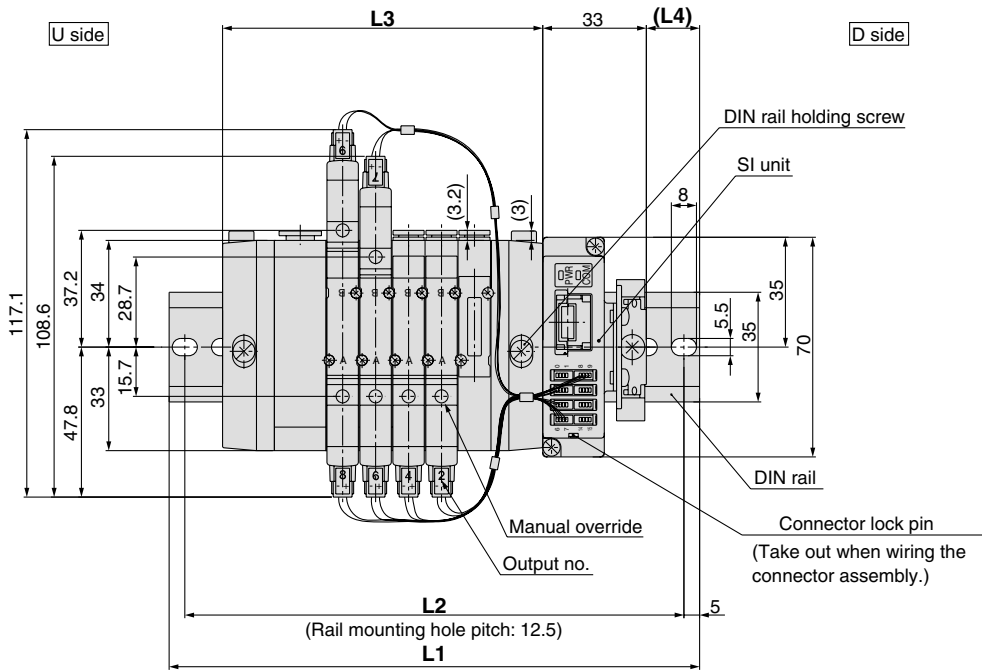
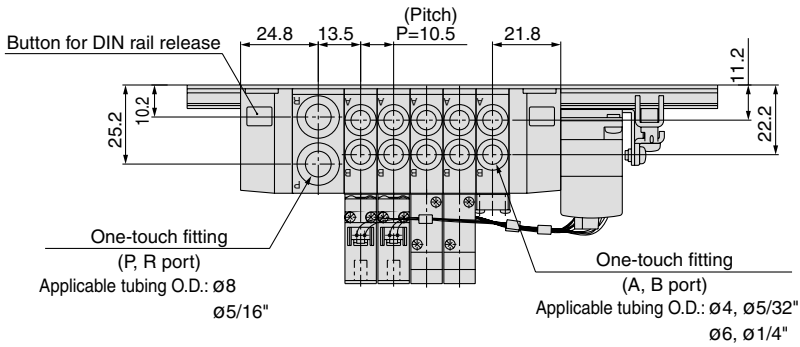


When ordering valve as a single unit, gaskets for the stacking base type are not included. Order them separately, if necessary. (Refer to page 262 for details.)

- SJ
- SY**
- SV
- SYJ
- SZ
- VP4
- S0700
- VQ
- VQ4
- VQ5
- VQC
- VQZ
- SQ
- VFS
- VFR
- VQ7

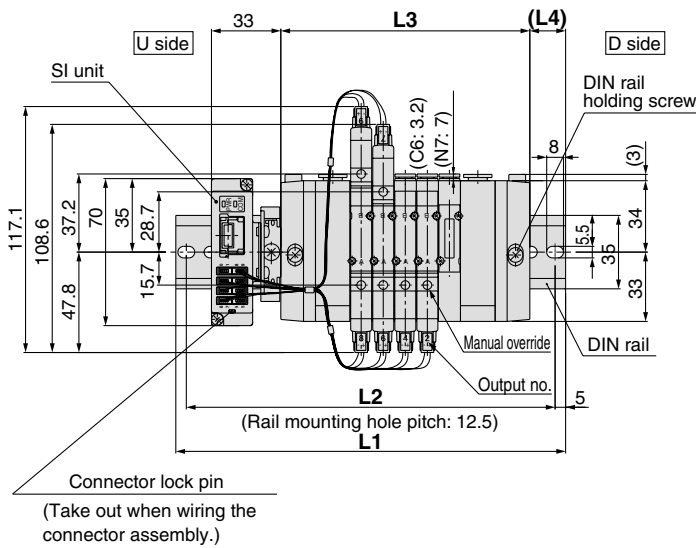
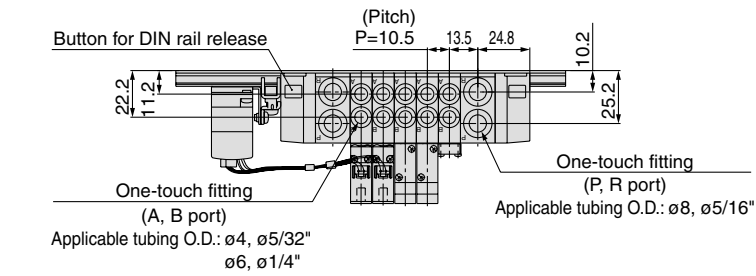
Type **45S6A** Series **SY3000/5000**

SY3000: SS5Y3-45S6A **D- Stations** **U-** C4, N3
C6, N7

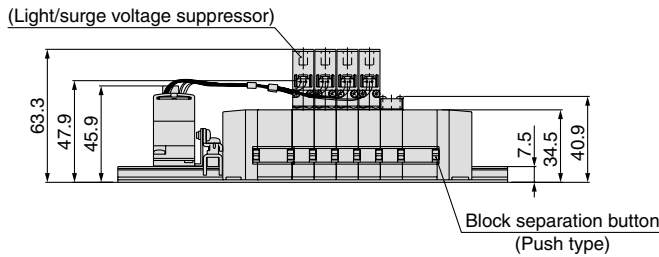


Stations n	2 stations	3	4	5	6	7	8	9	10 stations
L1	135.5	148	148	160.5	173	185.5	198	210.5	223
L2	125	137.5	137.5	150	162.5	175	187.5	200	212.5
L3	70.5	81	91.5	102	112.5	123	133.5	144	154.5
L4	16	17	12	13	14	15	16	17	18

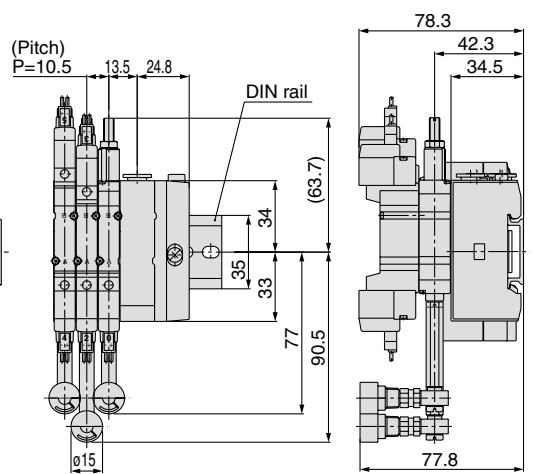
SY3000: SS5Y3-45S6A **U-** Stations **B-** ^{C4, N3} _{C6, N7}



(Station n) --- (Station 1)



With interface regulator (with gauge)

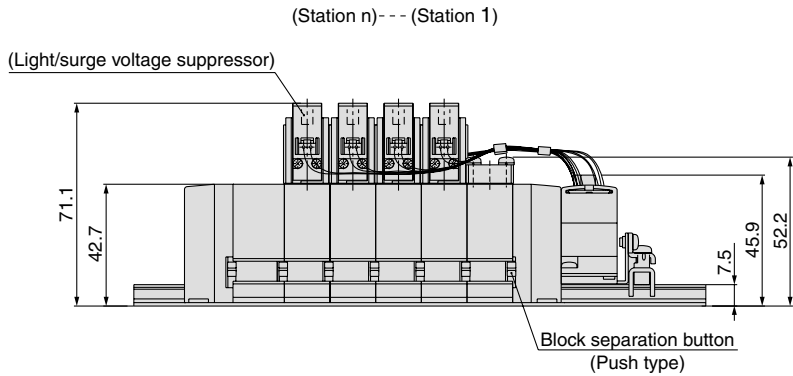
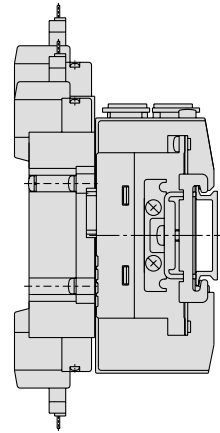
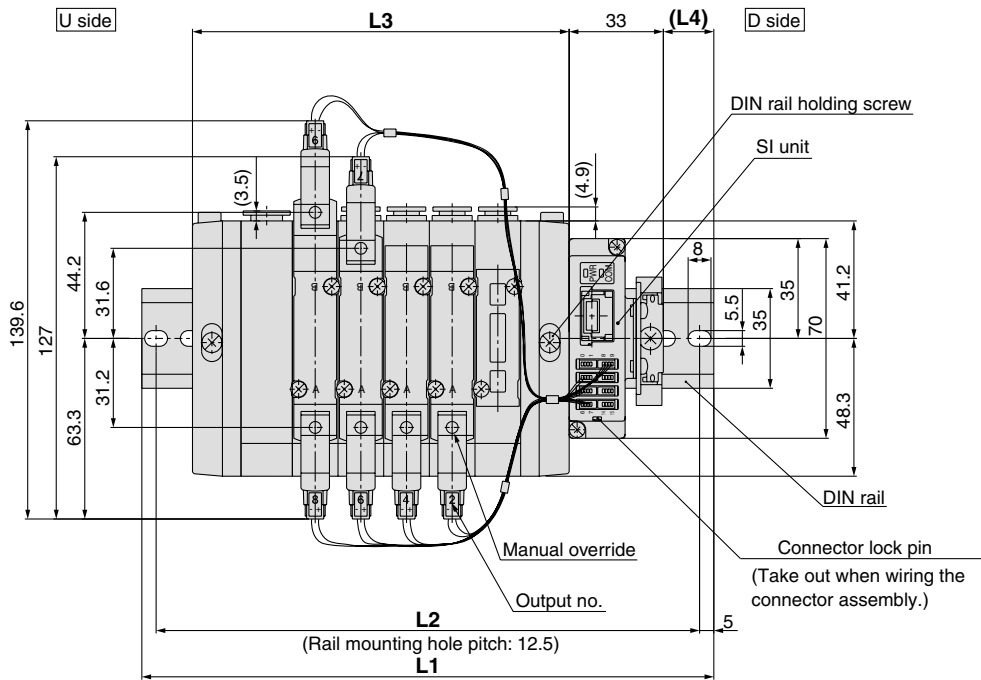
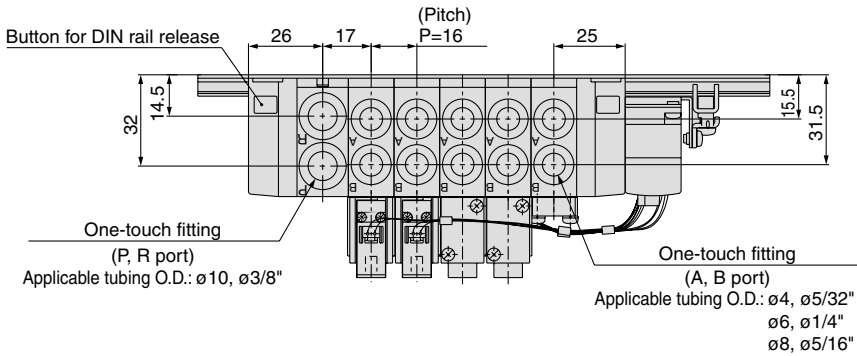


- SJ
- SY
- SV
- SYJ
- SZ
- VP4
- S0700
- VQ
- VQ4
- VQ5
- VQC
- VQZ
- SQ
- VFS
- VFR
- VQ7

Stations n	2 stations	3	4	5	6	7	8	9	10	11	12	13	14	15	16 stations
L1	148	160.5	173	185.5	185.5	198	210.5	223	235.5	248	260.5	260.5	273	285.5	298
L2	137.5	150	162.5	175	175	187.5	200	212.5	225	237.5	250	250	262.5	275	287.5
L3	87	97.5	108	118.5	129	139.5	150	160.5	171	181.5	192	202.5	213	223.5	234
L4	14	15	16	17	12	13	14	15	16	17	18	12.5	13.5	14.5	15.5

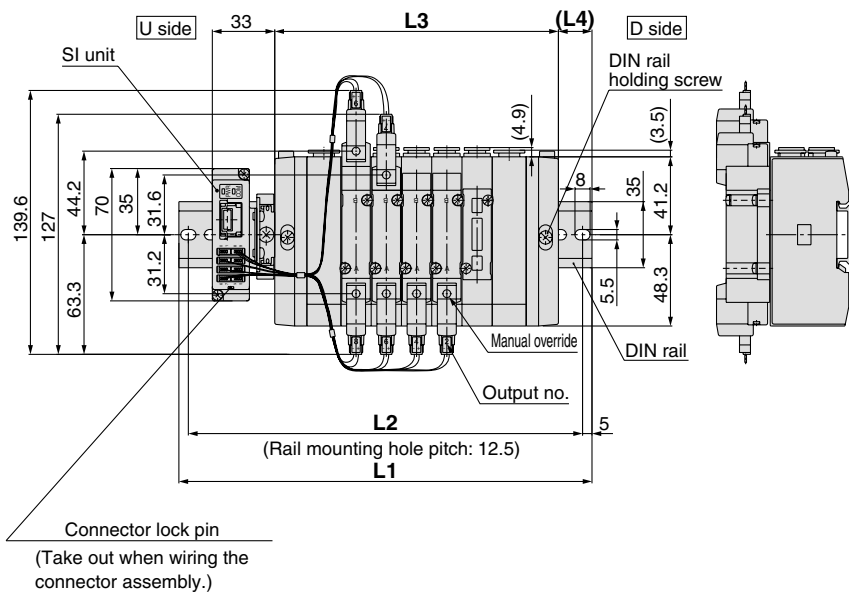
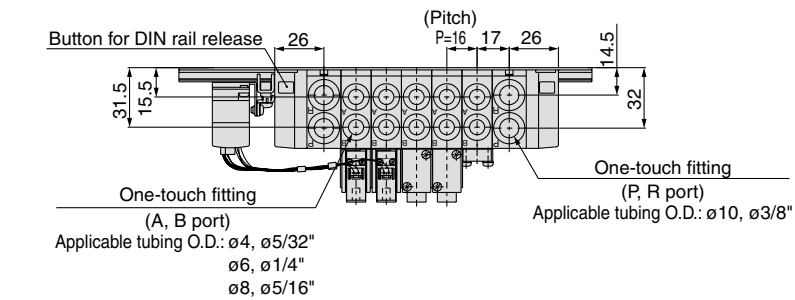
Type **45S6A** Series **SY3000/5000**

SY5000: SS5Y5-45S6A **D- Stations** **U-** C4, N3
C6, N7
C8, N9

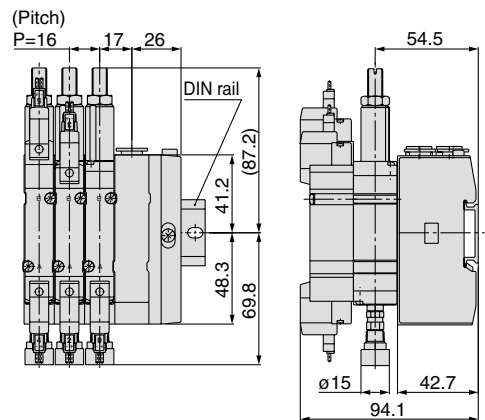


Stations n	2 stations	3	4	5	6	7	8	9	10 stations
L1	148	160.5	173	198	210.5	223	248	260.5	273
L2	137.5	150	162.5	187.5	200	212.5	237.5	250	262.5
L3	84	100	116	132	148	164	180	196	212
L4	15.5	14	12	16.5	15	13	17.5	16	14

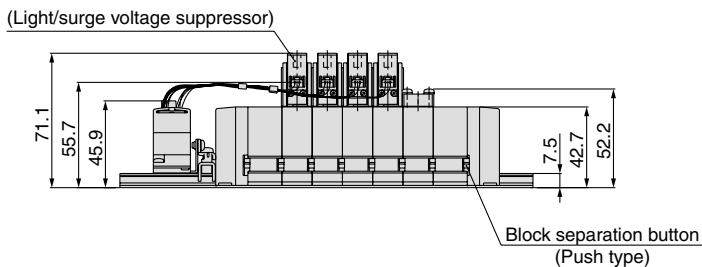
SY5000: SS5Y5-45S6A **U- Stations** **B-** C4, N3
C6, N7
C8, N9



With interface regulator (with gauge)



(Station n) --- (Station 1)

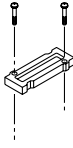


Stations n	2 stations	3	4	5	6	7	8	9	10	11	12	13	14	15	16 stations
L1	160.5	185.5	198	210.5	223	248	260.5	273	298	310.5	323	335.5	360.5	373	385.5
L2	150	175	187.5	200	212.5	237.5	250	262.5	287.5	300	312.5	325	350	362.5	375
L3	102	118	134	150	166	182	198	214	230	246	262	278	294	310	326
L4	13	17.5	15.5	14	12	16.5	15	13	17.5	16	14	12.5	17	15	13.5

- SJ
- SY
- SV
- SYJ
- SZ
- VP4
- S0700
- VQ
- VQ4
- VQ5
- VQC
- VQZ
- SQ
- VFS
- VFR
- VQ7

Manifold Option

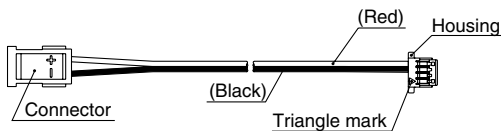
■ For type SS5Y³-45S6A Blanking plate assembly



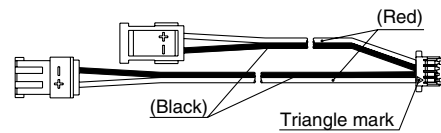
(The shape varies depending on the series.)

Model	Blanking plate assembly part no.
SS5Y3-45S6A	SX3000-75-1A(-Q)
SS5Y5-45S6A	SX5000-76-5A(-Q)

■ Connector assembly For single solenoid (SY3000-37-81A-□-N)



For double solenoid (SY3000-37-81A-□-□)

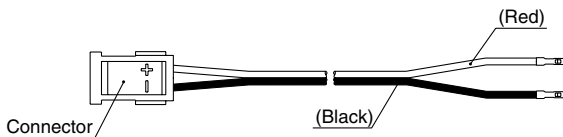


Connector assembly order no. (Can be used for the manifold without a specified layout (8 stations or less)) Integrated type

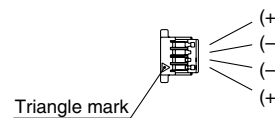
Model	Part no.	Connector mounting position
SS5Y3-45S6A	SY3000-37-81A-3-N	Starting from the SI unit side: From unit 1 to unit 4
	SY3000-37-81A-3-3	Starting from the SI unit side: From unit 5 to unit 8
	SY3000-37-81A-4-N	Starting from the SI unit side: From unit 9 to unit 12
	SY3000-37-81A-4-4	Starting from the SI unit side: From unit 13 to unit 16
SS5Y5-45S6A	SY3000-37-81A-4-N	Starting from the SI unit side: From unit 1 to unit 4
	SY3000-37-81A-4-4	Starting from the SI unit side: From unit 5 to unit 8
	SY3000-37-81A-6-N	Starting from the SI unit side: From unit 9 to unit 12
	SY3000-37-81A-6-6	Starting from the SI unit side: From unit 13 to unit 16
SS5Y9-²³/₄₃ SA	SY3000-37-81A-4-N	Single : For 1 to 4 stations
	SY3000-37-81A-4-9	Double/3 position : For 1 to 4 stations
	SY3000-37-81A-6-N	Single : For 5 to 8 stations
	SY3000-37-81A-6-11	Double/3 position : For 5 to 8 stations

Note) The above is for the station addition or maintenance. When ordering a connector assembly separately, a number would not be printed on the connector.

■ Connector assembly SY3000-37-80A-□



■ Housing (8 pcs./set) SY3000-44-3A



Connector assembly order no. (Can be used for the manifold with a specified layout)

Model	Part no.	Connector mounting position
SS5Y3-45S6A	SY3000-37-80A-3	Starting from the SI unit side: From unit 1 to unit 4
	SY3000-37-80A-4	Starting from the SI unit side: From unit 5 to unit 8
	SY3000-37-80A-6	Starting from the SI unit side: From unit 9 to unit 12
	SY3000-37-80A-7	Starting from the SI unit side: From unit 13 to unit 16
SS5Y5-45S6A	SY3000-37-80A-4	Starting from the SI unit side: From unit 1 to unit 4
	SY3000-37-80A-6	Starting from the SI unit side: From unit 5 to unit 8
	SY3000-37-80A-8	Starting from the SI unit side: From unit 9 to unit 12
	SY3000-37-80A-10	Starting from the SI unit side: From unit 13 to unit 16

Note 1) The above is for station addition or maintenance. When ordering a connector assembly separately, a number will not be printed on the connector.

Note 2) After inserting the connector assembly into the housing, be sure to confirm that the lead wire will not come off by lightly pulling the wire.

Furthermore, do not reuse the lead wire after it has been inserted and removed.

Note 3) Wiring is set longer than the actual wiring distance.

5 Port Solenoid Valve Base Mounted Manifold Stacking Type/DIN Rail Mounted/Plug-in

Series SY3000/5000

Type 45

How to Order Manifold

Type 45F (D-sub connector, 25 pins)

SS5Y 3 - 45 F D - 05 U - C4 - - -

Series

3	SY3000
5	SY5000

Common specifications

Nil	Positive common
N	Negative common

Connector mounting position

Symbol	Mounting position
U	U side
D	D side

Voltage

Nil	24 VDC
12V	12 VDC

Valve stations

Symbol	Stations	Note
02	2 stations	Single wiring spec. (Applicable up to 20 solenoid valves.)
⋮	⋮	
20	20 stations	

- * This also includes the number of blanking plate assemblies.
- * Two stations are necessary for the double, 3 position (Dual body type).

SUP/EXH block assembly mounting position

Symbol	Mounting position	Stations
U	U side	2 to 10 stations
D	D side	2 to 10 stations
B	(Both sides)	2 to 20 stations
M	Special specifications	

- * For special specifications, indicate separately by the manifold specification

A, B port size

One-touch fitting (Metric size)

Symbol	Port size	Applicable series
C4	One-touch fitting for ø4	SY3000
C6	One-touch fitting for ø6	
M	Mixed	SY5000
C4	One-touch fitting for ø4	
C6	One-touch fitting for ø6	
C8	One-touch fitting for ø8	
M	Mixed	

One-touch fitting (Inch size)

Symbol	Port size	Applicable series
N3	One-touch fitting for ø $\frac{5}{32}$ "	SY3000
N7	One-touch fitting for ø $\frac{1}{4}$ "	
M	Mixed	SY5000
N3	One-touch fitting for ø $\frac{5}{32}$ "	
N7	One-touch fitting for ø $\frac{1}{4}$ "	
N9	One-touch fitting for ø $\frac{5}{16}$ "	
M	Mixed	

- * In the case of mixed specifications (M), indicate separately on the manifold specification sheet.

Option

When a longer DIN rail is desired than the specified stations, specify the station number to be required. (20 stations at maximum)

CE-compliant

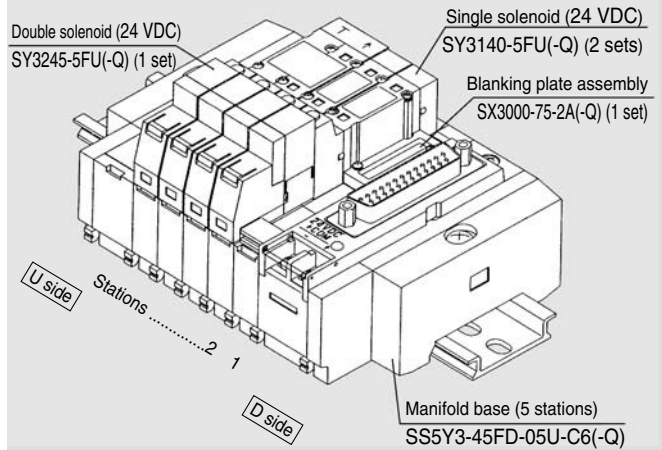
Nil	—
Q	CE-compliant



Refer to pages 324 to 328 for external pilot specifications and built-in silencer.

How to Order Manifold Assembly (Example)

Example (Type 45F/D-sub connector (25 pin))



SS5Y3-45FD-05U-C6 .. 1 set (Type 45F, D-sub connector 5-station manifold base part no.)
 * SX3000-75-2A 1 set (Blanking plate assembly part no.)
 * SY3140-5FU 2 sets (Single solenoid part no.)
 * SY3245-5FU 1 set (Double solenoid part no.)

The asterisk denotes the symbol for assembly. Prefix it to the part nos. of the solenoid valve, etc.

- * The valve arrangement is numbered as the 1st. station from D side regardless of the mounting position of connector box.
- * When ordering double solenoid valves/3 position (Dual body type), please keep in mind that they require two manifold stations.

How to Order Valve (Type 45F, 45P□, 45T, 45T1)

2 position single SY 3 1 40 - 5 FU - - -

Double, 3 position SY 3 2 45 - 5 FU - - -

Series

3	SY3000
5	SY5000

Type of actuation

2	2 position double
3	3 position closed center
4	3 position exhaust center
5	3 position pressure center

Rated voltage

5	24 VDC
6	12 VDC

Dual body type

(Double, 3 position)

Manual override

Nil	Non-locking push type
D	Push-turn locking slotted type
E	Push-turn locking lever type

Made to Order

Nil	—
X90	Main valve fluoro rubber (Refer to page 332.)

CE-compliant

Nil	—
Q	CE-compliant



When ordering plug-in type valve as a single unit, gaskets are not included. Order them separately, if necessary. (Refer to page 300 for details.)

How to Order Manifold

Type 45P (Flat ribbon cable)



Series

3	SY3000
5	SY5000

Common specifications

Nil	Positive common
N	Negative common

Connector poles

Symbol	Poles	Stations
Nil	26	2 to 20 stations
G	20	2 to 16 stations
H	10	2 to 8 stations

Connector mounting position

Symbol	Mounting position
U	U side
D	D side

Voltage

Nil	24 VDC
12V	12 VDC

A, B port size

One-touch fitting (Metric size)

Symbol	Port size	Applicable series
C4	One-touch fitting for ø4	SY3000
C6	One-touch fitting for ø6	
M	Mixed	
C4	One-touch fitting for ø4	SY5000
C6	One-touch fitting for ø6	
C8	One-touch fitting for ø8	
M	Mixed	

One-touch fitting (Inch size)

Symbol	Port size	Applicable series
N3	One-touch fitting for ø $\frac{5}{32}$ "	SY3000
N7	One-touch fitting for ø $\frac{1}{4}$ "	
M	Mixed	
N3	One-touch fitting for ø $\frac{5}{32}$ "	SY5000
N7	One-touch fitting for ø $\frac{1}{4}$ "	
N9	One-touch fitting for ø $\frac{9}{16}$ "	
M	Mixed	

SUP/EXH block assembly mounting position

Symbol	Mounting position	Stations
U	U side	2 to 10 stations
D	D side	2 to 10 stations
B	Both sides	2 to 20 stations
M	Special specifications	

Option
When a longer DIN rail is desired than the specified stations, specify the station number to be required. (20 stations at maximum)

CE-compliant

Nil	—
Q	CE-compliant

Valve stations (Blanking plate assemblies are included.)

26 pins (P) connector

Symbol	Stations	Note
02	2 stations	Single wiring spec. (Applicable up to 20 solenoid valves.)
:	:	
20	20 stations	

20 pins (PG) connector

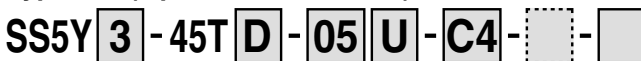
Symbol	Stations	Note
02	2 stations	Single wiring spec. (Applicable up to 16 solenoid valves.)
:	:	
16	16 stations	

10 pins (PH) connector

Symbol	Stations	Note
02	2 stations	Single wiring spec. (Applicable up to 8 solenoid valves)
:	:	
08	8 stations	

Two stations are necessary for the double, 3 position (Dual body type).

Type 45T (9 pins terminal block)



Series

3	SY3000
5	SY5000

Terminal block mounting position

Symbol	Mounting position
U	U side
D	D side

Valve stations

Symbol	Stations	Note
02	2 stations	Single wiring spec. (Applicable up to 8 solenoid valves)
:	:	
08	8 stations	

This also includes the number of blanking plate assemblies.
* Two stations are necessary for the double, 3 position (Dual body type).

SUP/EXH block assembly mounting position

Symbol	Mounting position	Stations
U	U side	2 to 8 stations
D	D side	2 to 8 stations
B	Both sides	2 to 8 stations
M	Special specifications	

* For special specifications, indicate separately by the manifold specification sheet.

Note) The terminal block (45T) manifold has no common polarity. It can be used for both positive and negative common.

Option
When a longer DIN rail is desired than the specified stations, specify the station number to be required. (20 stations at maximum)

CE-compliant

Nil	—
Q	CE-compliant

A, B port size

One-touch fitting (Metric size)

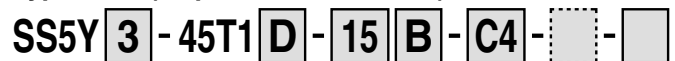
Symbol	Port size	Applicable series
C4	One-touch fitting for ø4	SY3000
C6	One-touch fitting for ø6	
M	Mixed	
C4	One-touch fitting for ø4	SY5000
C6	One-touch fitting for ø6	
C8	One-touch fitting for ø8	
M	Mixed	

One-touch fitting (Inch size)

Symbol	Port size	Applicable series
N3	One-touch fitting for ø $\frac{5}{32}$ "	SY3000
N7	One-touch fitting for ø $\frac{1}{4}$ "	
M	Mixed	
N3	One-touch fitting for ø $\frac{5}{32}$ "	SY5000
N7	One-touch fitting for ø $\frac{1}{4}$ "	
N9	One-touch fitting for ø $\frac{9}{16}$ "	
M	Mixed	

* In the case of mixed specifications (M), indicate separately on the manifold

Type 45T1 (18 pins terminal block)



Series

3	SY3000
5	SY5000

Terminal block mounting position

Symbol	Mounting position
U	U side
D	D side

Valve stations

Symbol	Stations	Note
02	2 stations	Single wiring spec. (Applicable up to 17 solenoid valves.)
:	:	
17	17 stations	

This also includes the number of blanking plate assemblies.
* Two stations are necessary for the double, 3 position (Dual body type).

SUP/EXH block assembly mounting position

Symbol	Mounting position	Stations
U	U side	2 to 10 stations
D	D side	2 to 10 stations
B	Both sides	2 to 17 stations
M	Special specifications	

* For special specifications, indicate separately by the manifold specification sheet.

Option
When a longer DIN rail is desired than the specified stations, specify the station number to be required. (20 stations at maximum)

CE-compliant

Nil	—
Q	CE-compliant

A, B port size

One-touch fitting (Metric size)

Symbol	Port size	Applicable series
C4	One-touch fitting for ø4	SY3000
C6	One-touch fitting for ø6	
M	Mixed	
C4	One-touch fitting for ø4	SY5000
C6	One-touch fitting for ø6	
C8	One-touch fitting for ø8	
M	Mixed	

One-touch fitting (Inch size)

Symbol	Port size	Applicable series
N3	One-touch fitting for ø $\frac{5}{32}$ "	SY3000
N7	One-touch fitting for ø $\frac{1}{4}$ "	
M	Mixed	
N3	One-touch fitting for ø $\frac{5}{32}$ "	SY5000
N7	One-touch fitting for ø $\frac{1}{4}$ "	
N9	One-touch fitting for ø $\frac{9}{16}$ "	
M	Mixed	

* In the case of mixed specifications (M), indicate separately on the manifold

- SJ
- SY
- SV
- SYJ
- SZ
- VP4
- S0700
- VQ
- VQ4
- VQ5
- VQC
- VQZ
- SQ
- VFS
- VFR
- VQ7

How to Order Manifold

Type 45G (Flat ribbon cable, PC Wiring System compatible)

SS5Y 3 - 45G D - 05 U - C4 - [] - []

Series

3	SY3000
5	SY5000

Connector mounting position

Symbol	Mounting position
U	U side
D	D side

Valve stations

Symbol	Stations	Note
02	2 stations	Single wiring spec. (Applicable up to 16 solenoid valves.)
⋮	⋮	
16	16 stations	

* Two stations are necessary for the double, 3 position (Dual body type).

* This also includes the number of blanking plate assemblies.

CE-compliant

Nil	—
Q	CE-compliant

Option

When a longer DIN rail is desired than the specified stations, specify the station number to be required. (20 stations at maximum)

A, B port size

One-touch fitting (Metric size)

Symbol	Port size	Applicable series
C4	One-touch fitting for $\phi 4$	SY3000
C6	One-touch fitting for $\phi 6$	
M	Mixed	
C4	One-touch fitting for $\phi 4$	SY5000
C6	One-touch fitting for $\phi 6$	
C8	One-touch fitting for $\phi 8$	
M	Mixed	

One-touch fitting (Inch size)

Symbol	Port size	Applicable series
N3	One-touch fitting for $\phi 5/32"$	SY3000
N7	One-touch fitting for $\phi 1/4"$	
M	Mixed	
N3	One-touch fitting for $\phi 5/32"$	SY5000
N7	One-touch fitting for $\phi 1/4"$	
M	Mixed	

* In the case of mixed specifications, indicate separately on the manifold specification sheet.

SUP/EXH block assembly mounting position

Symbol	Mounting position	Stations
U	U side	2 to 10 stations
D	D side	2 to 10 stations
B	Both sides	2 to 16 stations
M	Special specifications	

* For special specifications, indicate separately by the manifold specification sheet.

SUP/EXH block assembly specifications

Symbol	Specifications
Nil	Internal pilot specifications
R	External pilot specifications
S	Internal pilot / Built-in silencer
RS	External pilot / Built-in silencer

How to Order Valve

2 position single **SY 3 1 4 0 - 5 FU**

Double, 3 position **SY 3 2 4 5 - 5 FU**

Series

3	SY3000
5	SY5000

Type of actuation

2	2 position double
3	3 position closed center
4	3 position exhaust center
5	3 position pressure center

Rated voltage

5	24 VDC
---	--------

Pilot type

Nil	Internal pilot
R	External pilot

Manual override

Nil	Non-locking push type
D	Push-turn locking slotted type
E	Push-turn locking lever type

Made to Order

Nil	—
X90	Main valve fluoro rubber (Refer to page 332.)

CE-compliant

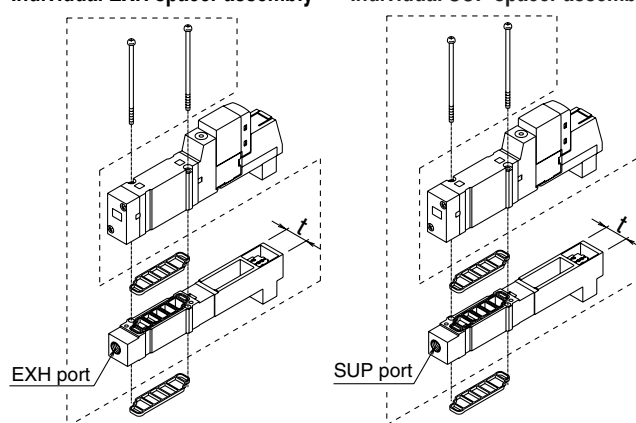
Nil	—
Q	CE-compliant

Dual body type (Double, 3 position)

When ordering plug-in type valve as a single unit, gaskets are not included. Order them separately, if necessary. (Refer to page 300 for details.)

Manifold Option

Individual EXH spacer assembly **Individual SUP spacer assembly**



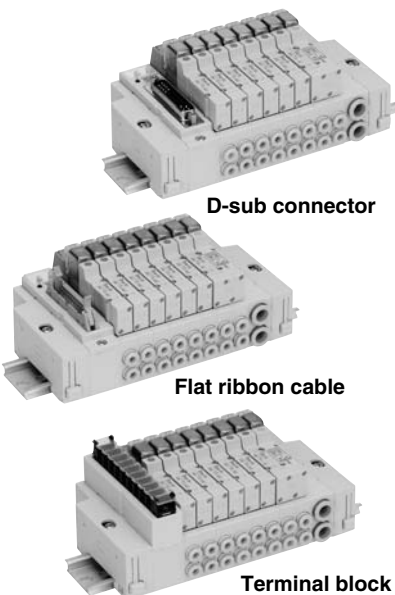
Series	Assembly part no.	Port no.	t	Series	Assembly part no.	Port no.	t
SY3000	SY3000-39-3A(-Q)	M5 x 0.8	11	SY3000	SY3000-38-3A(-Q)	M5 x 0.8	11
SY5000	SY5000-39-17A(-Q)	1/8	15	SY5000	SY5000-38-17A(-Q)	1/8	15

Note) Please be careful because the dual body type (double solenoid, 3-position) requires two pieces. In this case, the exhaust is performed in the direction of the arrow mark indicated on the valve surface.

Note) Please be careful because the dual body type (double solenoid, 3-position) requires two pieces. In this case, both supply ports require the piping.

Manifold Specifications

Model	D-sub connector Type 45F	Flat ribbon cable Type 45PI			Terminal block		Flat ribbon cable PC wiring system compatible	
		Type 45P	Type 45PG	Type 45PH	Type 45T	Type 45T1	Type 45G	
Manifold								
Plug-in								
P (SUP)/R (EXH)								
Common SUP, Common EXH								
Valve stations <small>Note 1, 2)</small>		2 to 20 stations	2 to 16 stations	2 to 8 stations	2 to 17 stations	2 to 16 stations		
A, B port		Base						
Porting specifications		Side						
Port size	P, R port	SY3000	C8 (One-touch fitting for ø8)					
		SY5000	C10 (One-touch fitting for ø10)					
	A, B port	SY3000	C4 (One-touch fitting for ø4)/C6 (One-touch fitting for ø6)					
		SY5000	C4 (One-touch fitting for ø4)/C6 (One-touch fitting for ø6)/C8 (One-touch fitting for ø8)					
Applicable connector		D-sub connector Complies with MIL-C-24308 JIS-X-5101	Flat ribbon cable connector Socket: 26 pins MIL type with strain relief Conforming to MIL-C-83503	Flat ribbon cable connector Socket: 20 pins MIL type with strain relief Conforming to MIL-C-83503	Flat ribbon cable connector Socket: 10 pins MIL type with strain relief Conforming to MIL-C-83503	Terminal block (M3) 9 pins	Terminal block (M3) 18 pins	Flat ribbon cable connector Socket: 20 pins MIL type with strain relief Conforming to MIL-C-83503
Internal wiring		+COM (Type 45□), -COM (Type 45N□)			In common between +COM and -COM.		+ COM	
Manifold base mass w (g)		SY3000	2 to 10 stations: W = 26n + 172					
n: Stations (D-sub connector)			SY5000	11 to 20 stations: W = 26n + 199				
		SY3000		2 to 10 stations: W = 54n + 227				
			SY5000	11 to 20 stations: W = 52n + 264				



Note 1) For more than 11 stations, supply pressure to P port on both sides and exhaust from R port on both sides.
 Note 2) There is a limit depending on the number of solenoids. Refer to "How to Order".

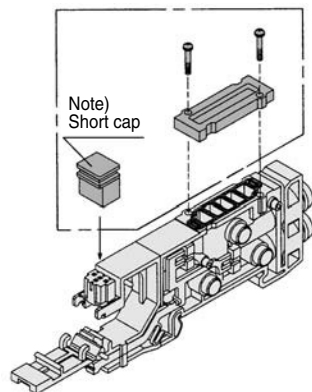
Flow Characteristics

Model	Port size		Flow characteristics					
	1, 5, 3 (P, EA, EB)	4, 2 (A, B)	1 → 4/2 (P → A/B)			4/2 → 5/3 (A/B → EA/EB)		
			C (dm³/(s·bar))	b	Cv	C (dm³/(s·bar))	b	Cv
SS5Y3-45□	C8	C6	0.88	0.21	0.22	0.95	0.18	0.22
SS5Y5-45□	C10	C8	2.2	0.24	0.53	2.5	0.18	0.58

Note) The value is for manifold base with 5 stations and individually operated 2 position type.

Manifold Option

Blanking plate assembly



Series	Assembly part no.
SY3000	SX3000-75-2A(-Q)
SY5000	SX5000-76-6A(-Q)

Note) • When mounting blanking plate, be sure to mount a short cap.
 • Two stations are necessary for the double, 3 position (Dual body type).

SUP blocking disk

By installing a SUP blocking disk in the pressure supply passage of a manifold valve, it is possible to supply two or more different high and low pressures to one manifold.



Series	Part no.
SY3000	SX3000-77-1A
SY5000	SX5000-77-1A

EXH blocking disk

By installing an EXH blocking disk in the exhaust passage of a manifold valve, it is possible to divide the valve's exhaust so that it does not affect another valve. (Two blocking disks are needed to divide both exhausts.)



Series	Part no.
SY3000	SX3000-77-1A
SY5000	SX5000-77-1A

Label for block disk

The labels shown below are used on manifold stations containing SUP/EXH block disk(s) to show their location. (3 pcs. each)
VZ3000-123-1A (In common with SY3000, 5000)

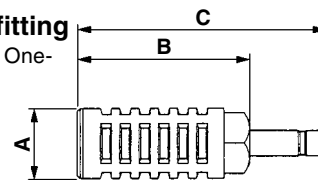
Label for SUP block disk Label for EXH block disk Label for SUP/EXH block disk



Note) When a block disk is concurrently ordered by specifying on the manifold specification sheet, etc., a label will be stuck on the position where block disk is mounted.

Silencer with One-touch fitting

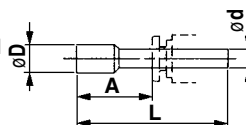
The silencer plugs directly into the One-touch fittings of the manifold.



Series	Model	Effective area	A	B	C
For SY3000 (ø8)	AN203-KM8	14 mm²	ø16	26	51
For SY5000 (ø10)	AN200-KM10	26 mm²	ø22	53.8	80.8
	AN300-KM10	30 mm²	ø25	70	97

Plug (white)

These are inserted in unused cylinder ports and SUP, EXH ports. Purchasing order is available in units of 10 pieces.



Dimensions

Applicable fittings size ød	Model	A	L	D
4	KQ2P-04	16	32	6
6	KQ2P-06	18	35	8
8	KQ2P-08	20.5	39	10
10	KQ2P-10	22	43	12
1/8"	KQ2P-01	16	31.5	5
5/32"	KQ2P-03	16	32	6
1/4"	KQ2P-07	18	35	8.5
5/16"	KQ2P-09	20.5	39	10

Caution

Mounting screw tightening torques

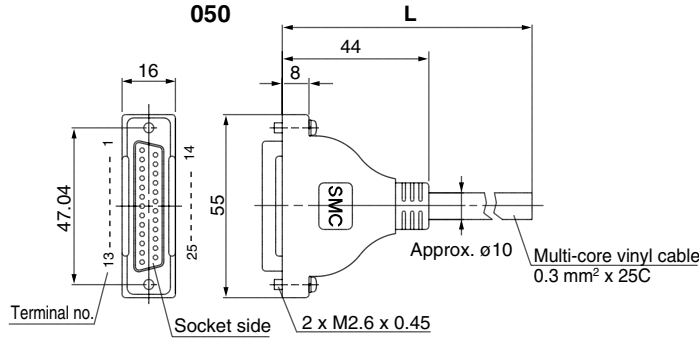
- M2: 0.17 N·m
- M3: 0.8 N·m
- M4: 1.4 N·m

SJ
 SY
 SV
 SYJ
 SZ
 VP4
 S0700
 VQ
 VQ4
 VQ5
 VQC
 VQZ
 SQ
 VFS
 VFR
 VQ7

Manifold Option

■ D-sub connector (25 pins)/Cable assembly

015
AXT100-DS25-030
050



D-sub connector cable assembly

Terminal numbers

Terminal no.	Lead wire color	Dot marking
1	Black	None
2	Brown	None
3	Red	None
4	Orange	None
5	Yellow	None
6	Pink	None
7	Blue	None
8	Purple	White
9	Gray	Black
10	White	Black
11	White	Red
12	Yellow	Red
13	Orange	Red
14	Yellow	Black
15	Pink	Black
16	Blue	White
17	Purple	None
18	Gray	None
19	Orange	Black
20	Red	White
21	Brown	White
22	Pink	Red
23	Gray	Red
24	Black	White
25	White	None

D-sub connector cable

Cable length (L)	Assembly part no.	Note
1.5 m	AXT100-DS25-015	Cable 25 core x 24 AWG
3 m	AXT100-DS25-030	
5 m	AXT100-DS25-050	

* When a commercially available connector is required, use a 25 pin female connector conforming to MIL-C24308.

Electric characteristics

Item	Characteristics
Conductor resistance Ω/km, 20°C	65 or less
Voltage limit V, 1 min, AC	1000
Insulation resistance MΩkm, 20°C	5 or more

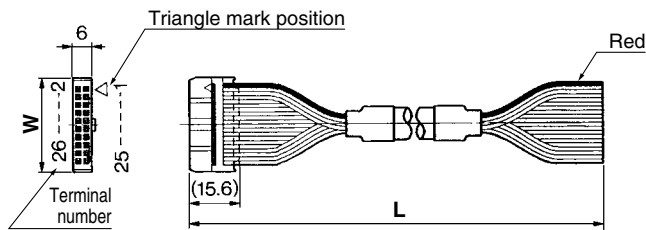
Note) The min. bending radius of D-sub cable assembly is 20 mm.

Connector manufacturers' example

- Hirose Electric Co., Ltd.
- Fujitsu Limited
- Japan Aviation Electronics Industry, Ltd.
- J.S.T. Mfg. Co., Ltd.

■ Flat Ribbon Cable Connector/Cable assembly

AXT100-FC□- $\frac{1}{3}$



■ Dimensions/DIN rail

VZ1000-11-1-□

Refer to L dimensions

* Fill in □ with an appropriate no. listed on the table of DIN rail dimensions shown below.



Flat Ribbon Cable Assembly

Cable length (L)	10 pins	20 pins	26 pins
1.5 m	AXT100-FC10-1	AXT100-FC20-1	AXT100-FC26-1
3 m	AXT100-FC10-2	AXT100-FC20-2	AXT100-FC26-2
5 m	AXT100-FC10-3	AXT100-FC20-3	AXT100-FC26-3
Connector width (W)	17.2	30	37.5

* For other commercial connectors, use a type with strain relief that conform to MIL-C-83503.

Connector manufacturers' example

- Hirose Electric Co., Ltd.
- Sumitomo 3M Limited
- Fujitsu Limited
- Japan Aviation Electronics Industry, Ltd.
- J.S.T. Mfg. Co., Ltd.

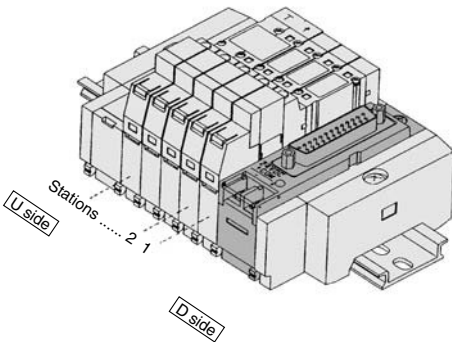
No.	0	1	2	3	4	5	6	7	8	9	10
L Dimension	98	110.5	123	135.5	148	160.5	173	185.5	198	210.5	223
No.	11	12	13	14	15	16	17	18	19	20	21
L Dimension	235.5	248	260.5	273	285.5	298	310.5	323	335.5	348	360.5
No.	22	23	24	25	26	27	28	29	30	31	32
L Dimension	373	385.5	398	410.5	423	435.5	448	460.5	473	485.5	498
No.	33	34	35	36	37	38	39	40	41	42	43
L Dimension	510.5	523	535.5	548	560.5	573	585.5	598	610.5	623	635.5
No.	44	45	46	47	48	49	50	51	52	53	54
L Dimension	648	660.5	673	685.5	698	710.5	723	735.5	748	760.5	773
No.	55	56	57	58	59	60	61	62	63	64	65
L Dimension	785.5	798	810.5	823	835.5	848	860.5	873	885.5	898	910.5
No.	66	67	68	69	70	71					
L Dimension	923	935.5	948	960.5	973	985.5					

* Refer to L1 dimension on pages starting with pages 282 to 299 for lengths that correspond to the number of manifold stations.

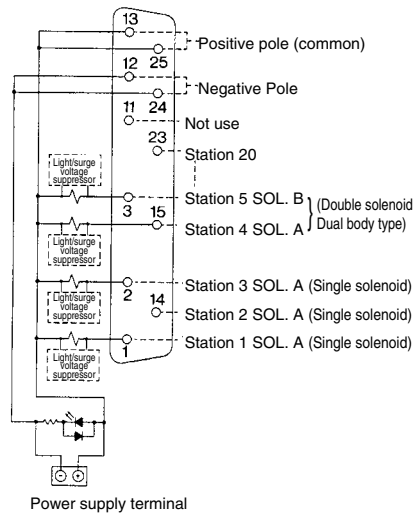
Manifold Internal Wiring

45(N)F/D-sub Connector

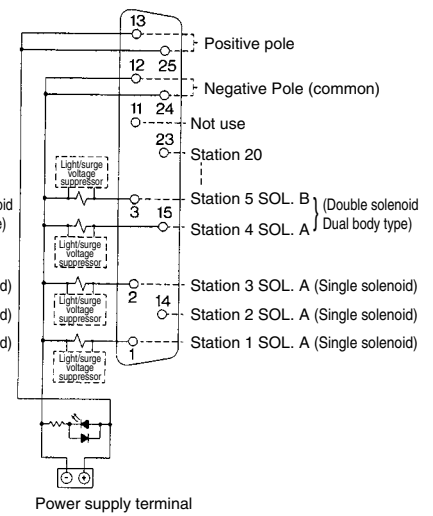
A D-sub connector used for electric wiring reduces labor during wiring operation. Connectors conforming to MIL are used for interchangeability.



<For positive common (45F)>



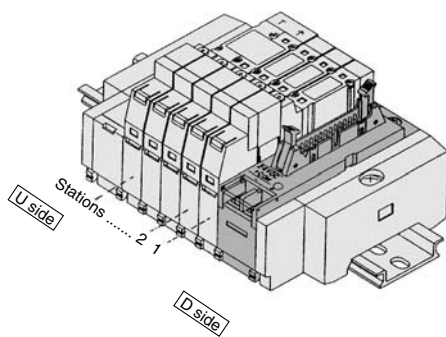
<For negative common (45NF)>



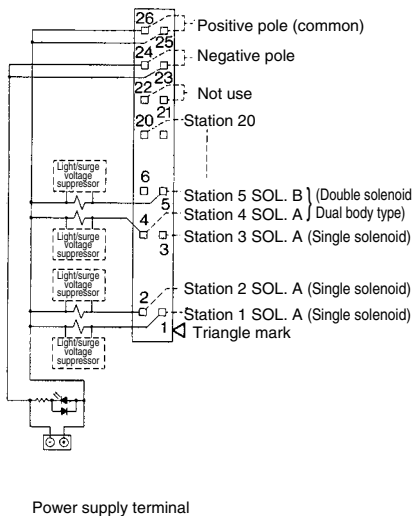
- The power source terminal is used for connecting to an external power source.
- The maximum number of stations that can be accommodated is 20 manifold stations, with up to 20 solenoids. (For more stations, please contact SMC.)
- Regardless of the connector mounting position, stations are to be counted from D side as the 1st one.

Type 45(N)P/Flat Ribbon Cable (26 pins)

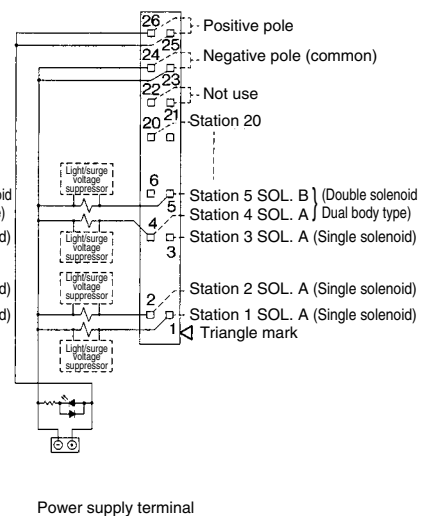
A flat ribbon cable connector used for electric wiring reduces labor during wiring operation. Connectors conforming to MIL are used for interchangeability.



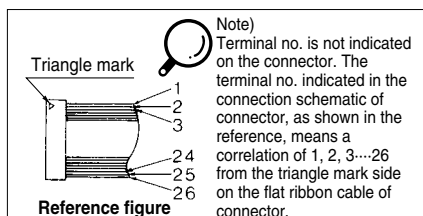
<For positive common (45P)>



<For negative common (45NP)>



- The power source terminal is used for connecting to an external power source.
- The maximum number of stations that can be accommodated is 20 manifold stations, with up to 20 solenoids. (For more stations, please contact SMC.)
- Regardless of the connector mounting position, stations are to be counted from D side as the 1st one.

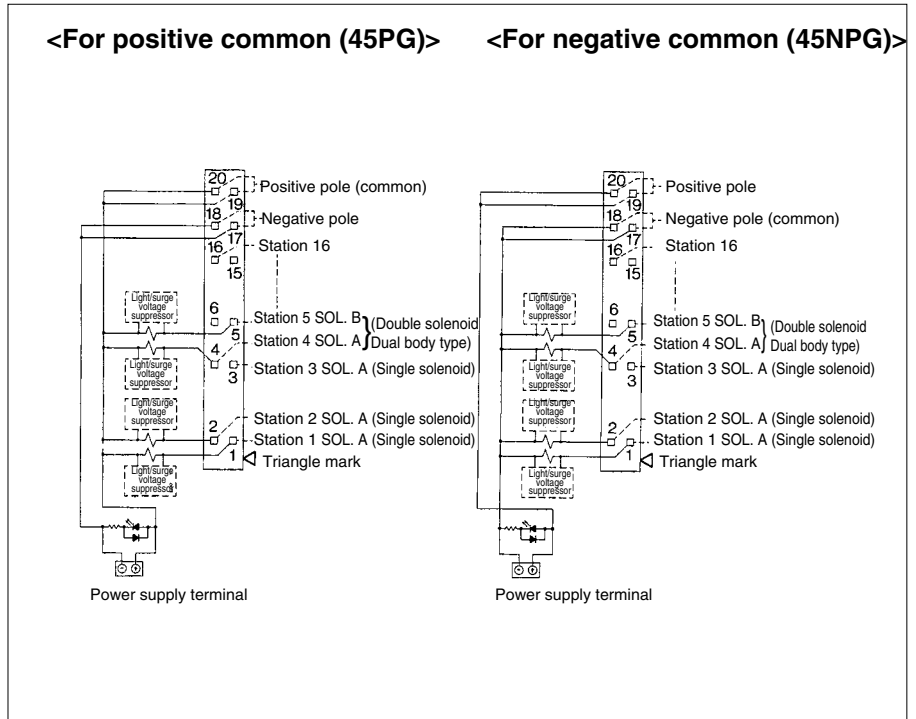
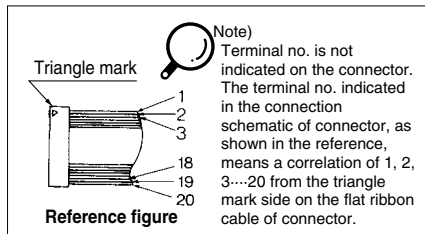
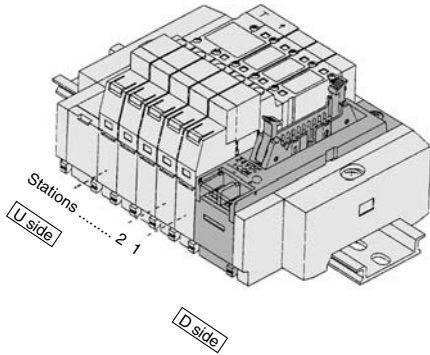


- SJ
- SY
- SV
- SYJ
- SZ
- VP4
- S0700
- VQ
- VQ4
- VQ5
- VQC
- VQZ
- SQ
- VFS
- VFR
- VQ7

Manifold Internal Wiring

Type 45(N)PG/Flat Ribbon Cable (20 pins)

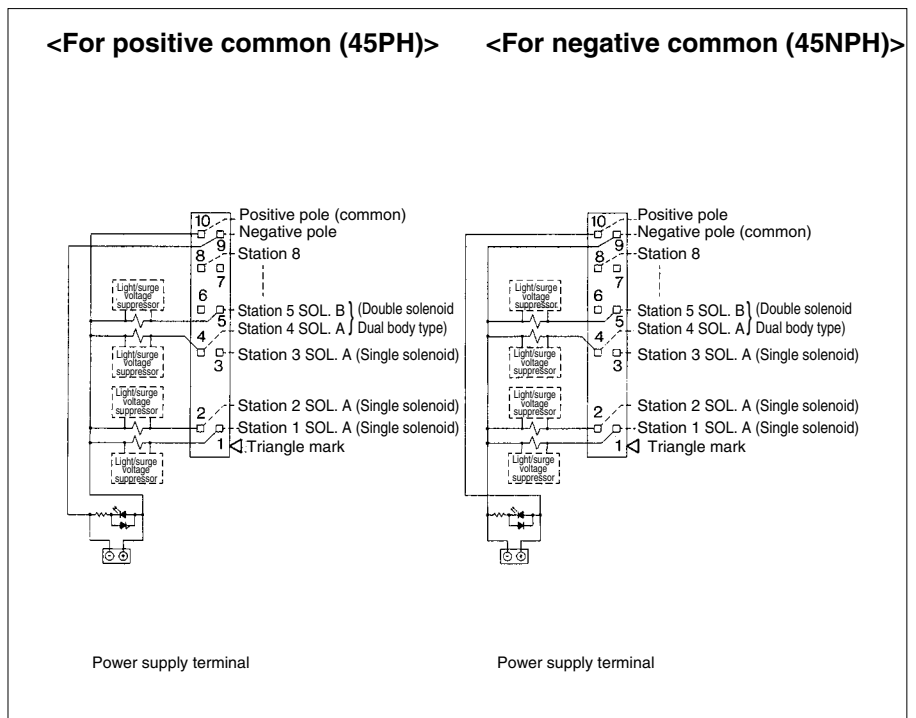
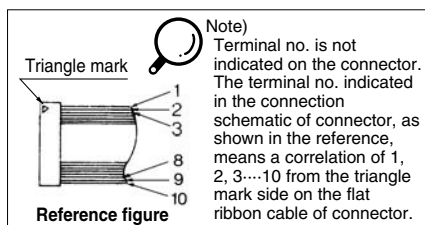
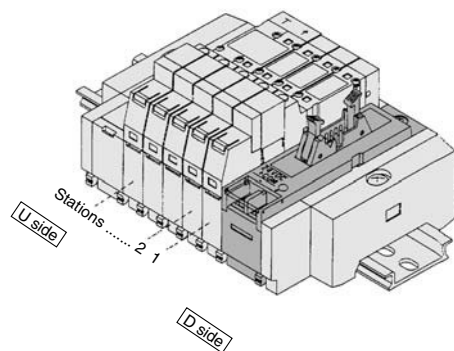
A flat ribbon cable connector used for electric wiring reduces labor during wiring operation. Connectors conforming to MIL are used for interchangeability.



- The power source terminal is used for connecting to an external power source.
- The maximum number of stations that can be accommodated is 16 manifold stations, with up to 16 solenoids. (For more stations, please contact SMC.)
- Regardless of the connector mounting position, stations are to be counted from D side as the 1st one.

Type 45(N)PH/Flat Ribbon Cable (10 pins)

A flat ribbon cable connector used for electric wiring reduces labor during wiring operation. Connectors conforming to MIL are used for interchangeability.

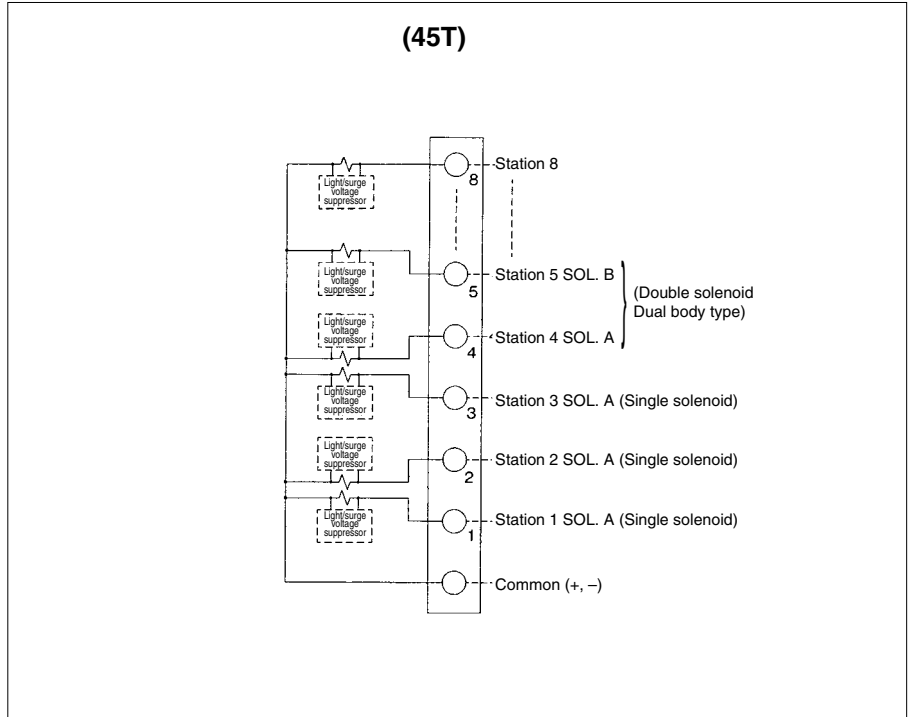
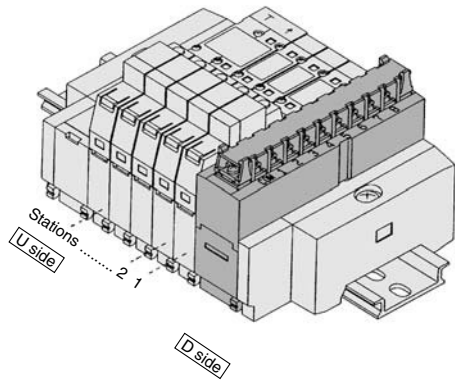


- The power source terminal is used for connecting to an external power source.
- The maximum number of stations that can be accommodated is 8 manifold stations, with up to 8 solenoids. (For more stations, please contact SMC.)
- Regardless of the connector mounting position, stations are to be counted from D side as the 1st one.

Manifold Internal Wiring

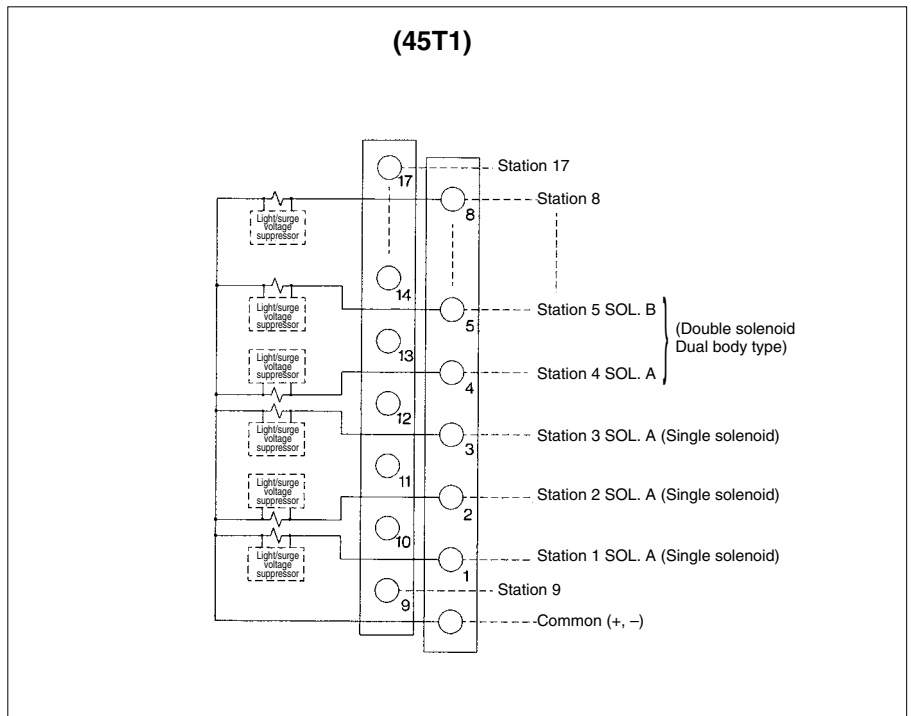
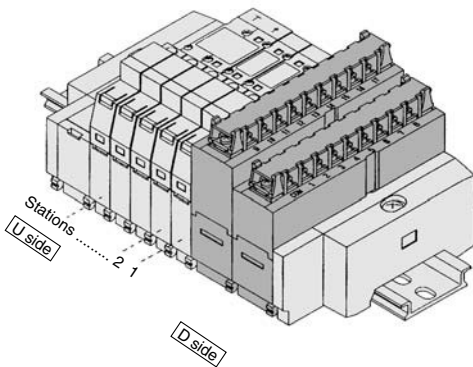
Type 45T/Terminal Block

A terminal block style permits direct cable connection without treatment of lead wires.



- The maximum number of stations that can be accommodated is 8 manifold stations, with up to 8 solenoids. (For more stations, please contact SMC.)
- Regardless of the connector mounting position, stations are to be counted from D side as the 1st one.
- There is no polarity in the COM wiring. Supply positive power for +COM spec. and negative power for -COM spec.

Type 45T1/Terminal Block



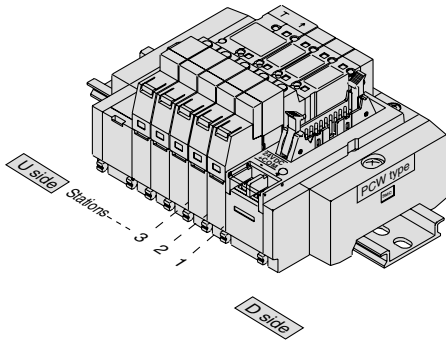
- The maximum number of stations that can be accommodated is 17 manifold stations, with up to 17 solenoids. (For more stations, please contact SMC.)
- Regardless of the connector mounting position, stations are to be counted from D side as the 1st one.
- There is no polarity in the COM wiring. Supply positive power for +COM spec. and negative power for -COM spec.

- SJ
- SY**
- SV
- SYJ
- SZ
- VP4
- S0700
- VQ
- VQ4
- VQ5
- VQC
- VQZ
- SQ
- VFS
- VFR
- VQ7

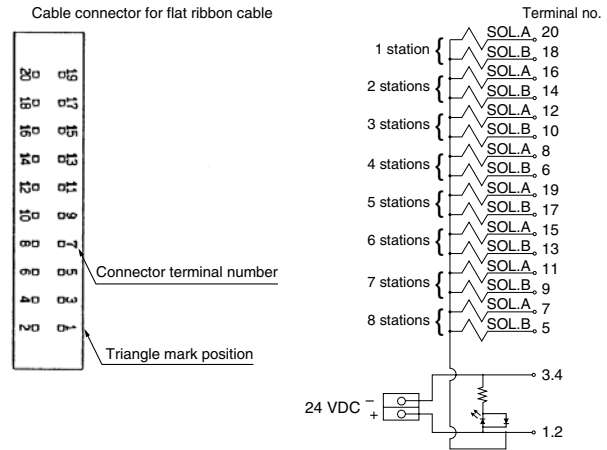
Manifold Internal Wiring

Type 45G Flat Ribbon Cable (PC Wiring System compatible)

It's the manifold for 20 pins flat ribbon cable connector which is compliant for PC wiring system.



Electric circuit diagram
(Below wiring is the case of all double solenoid connections.)

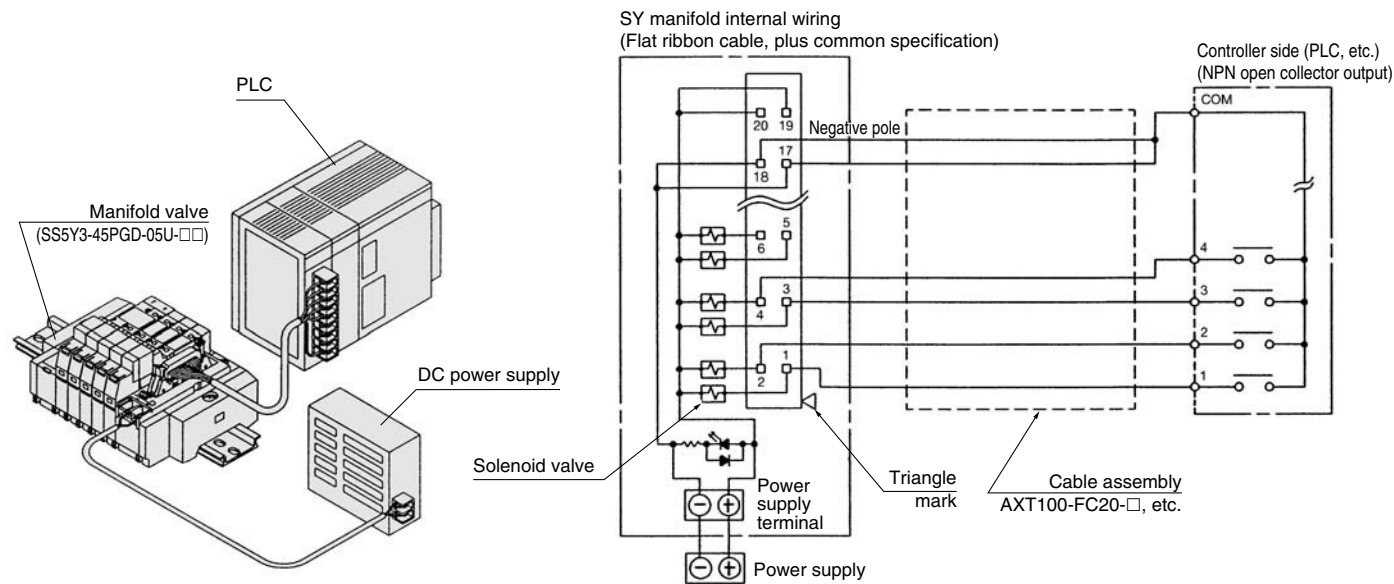


- The maximum number of stations that can be accommodated is 16 manifold stations, with up to 16 solenoids. (For more stations, please contact SMC.)
- Regardless of the connector mounting position, stations are to be counted from D side as the 1st one.
(For details about the PC wiring system, refer to catalog)
CAT.E02-20 separately.

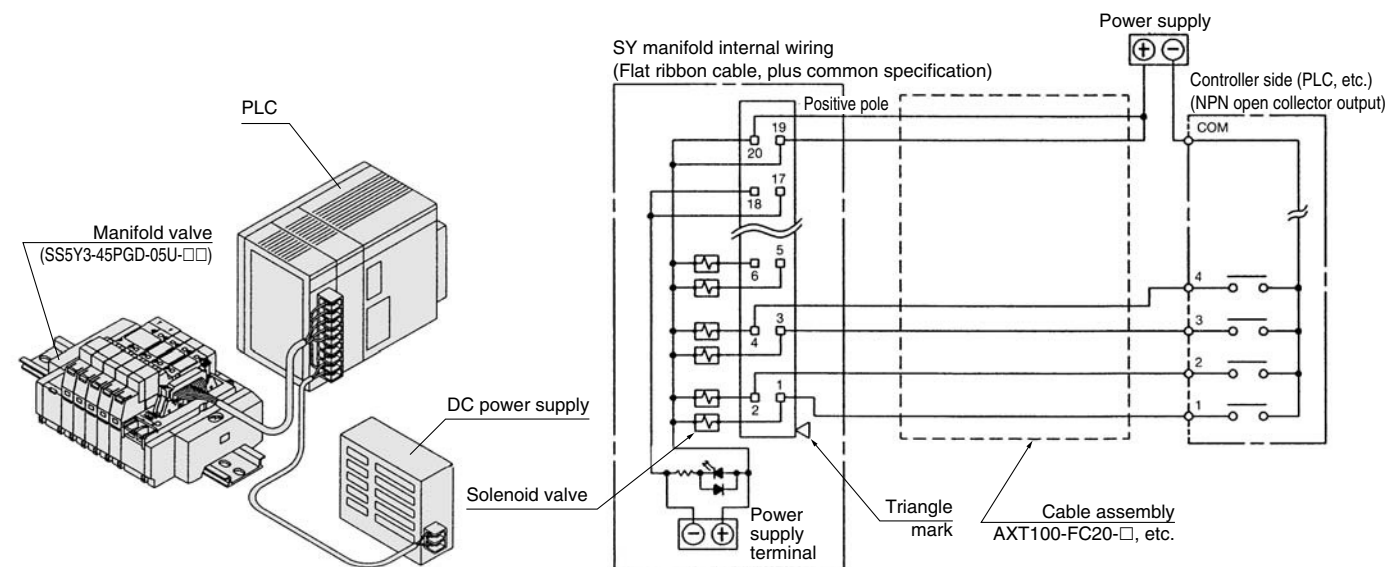
How to Connect SS5Y□-45□ (Plug-in)

Power terminal is equipped with plug-in manifold of Series SY as standard.
 Power terminal enables the power supply to valve from either of manifold or controller side.
 The wiring examples should be used for reference when wiring is performed.

1. Wiring example when using manifold power supply terminals



2. Wiring example when not using manifold power supply terminals (Power is supplied to the controller side or along the wiring, etc.)



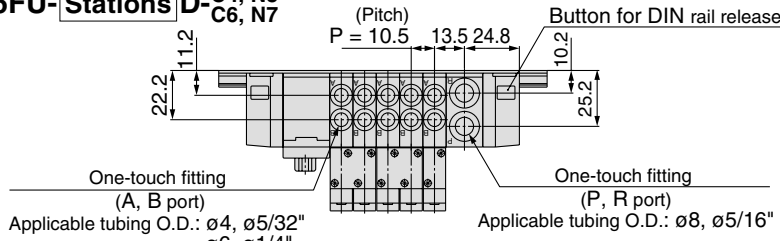
⚠ Caution

- Single wire, COM position, etc. of PLC are different from each manufacturer. When connecting with PLC, read the specifications carefully and understand the electrical circuit. Poor wiring could cause damage to PLC, power source, etc. as well as manifold and valve.

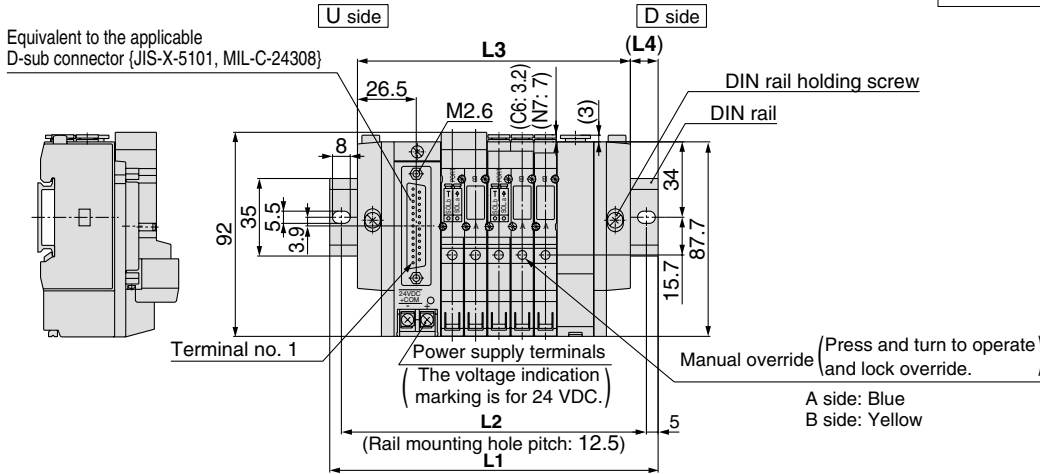
SJ
SY
SV
SYJ
SZ
VP4
S0700
VQ
VQ4
VQ5
VQC
VQZ
SQ
VFS
VFR
VQ7

SY3000: D-sub Connector/Plug-in

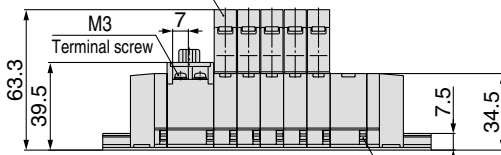
**SS5Y3-45FU- Stations D-C4, N3
C6, N7**



Note) The L1 to L4 dimensions of **SS5Y3-45FU- Stations U-C4, N3 C6, N7** are identical to those of **SS5Y3-45FU- Stations D-C4, N3 C6, N7**.

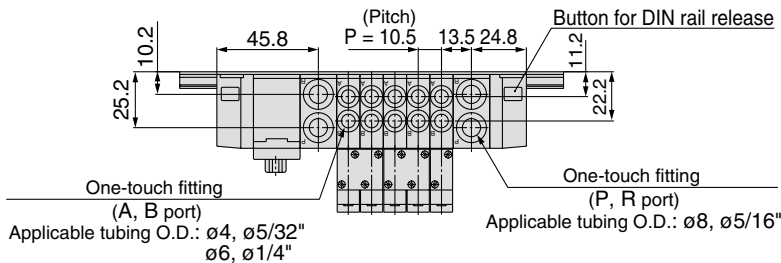


(Station n) --- (Station 1)
(Light/surge voltage suppressor)

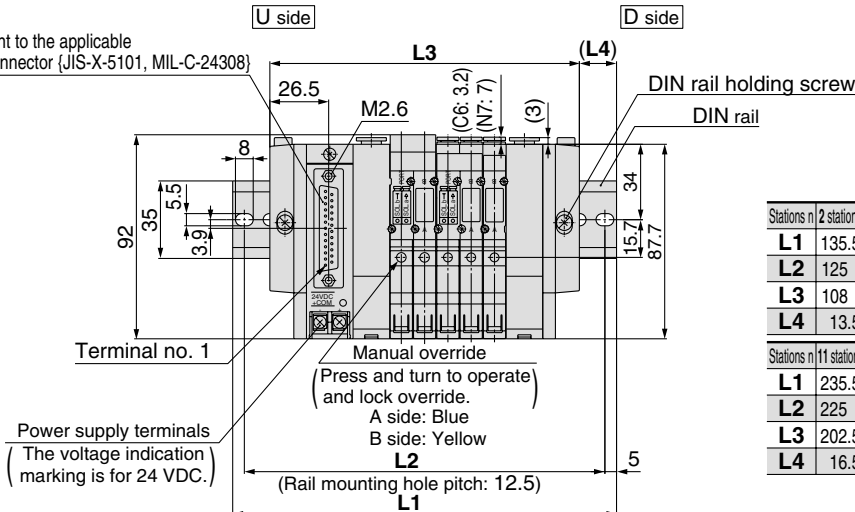


Stations n	2 stations	3	4	5	6	7	8	9	10 stations
L1	123	135.5	148	148	160.5	173	185.5	198	210.5
L2	112.5	125	137.5	137.5	150	162.5	175	187.5	200
L3	91.5	102	112.5	123	133.5	144	154.5	165	175.5
L4	15.5	16.5	17.5	12.5	13.5	14.5	15.5	16.5	17.5

**SS5Y3-45FU- Stations B-C4, N3
C6, N7**



Equivalent to the applicable
D-sub connector (JIS-X-5101, MIL-C-24308)

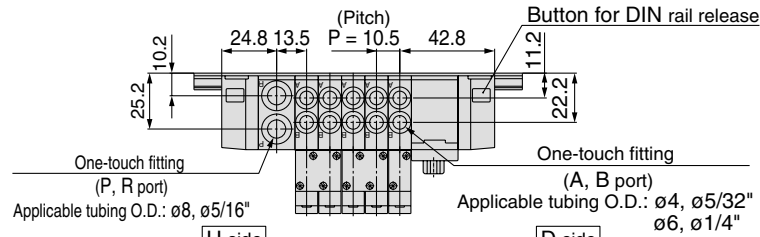


Stations n	2 stations	3	4	5	6	7	8	9	10 stations
L1	135.5	148	160.5	173	185.5	185.5	198	210.5	223
L2	125	137.5	150	162.5	175	175	187.5	200	212.5
L3	108	118.5	129	139.5	150	160.5	171	181.5	192
L4	13.5	14.5	15.5	16.5	17.5	12.5	13.5	14.5	15.5

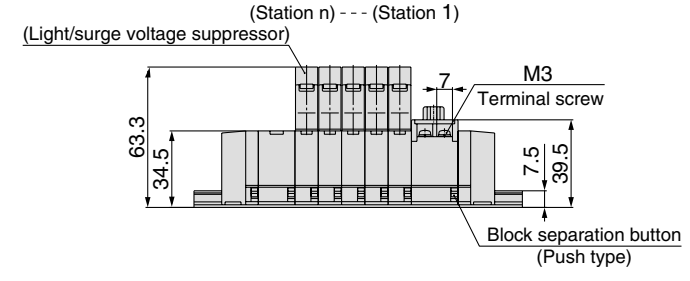
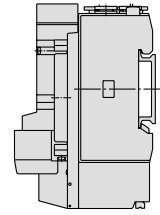
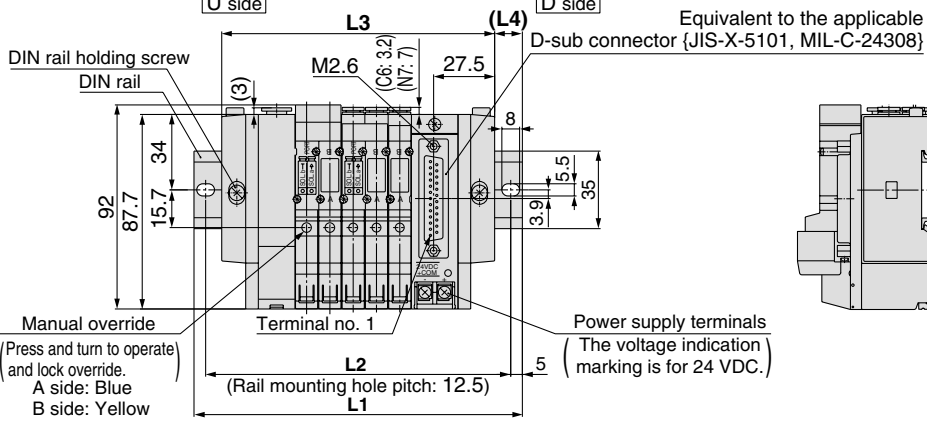
Stations n	11 stations	12	13	14	15	16	17	18	19	20 stations
L1	235.5	248	248	260.5	273	285.5	298	310.5	310.5	323
L2	225	237.5	237.5	250	262.5	275	287.5	300	300	312.5
L3	202.5	213	223.5	234	244.5	255	265.5	276	286.5	297
L4	16.5	17.5	12	13	14	15	16	17	12	13

SY3000: D-sub Connector/Plug-in

**SS5Y3-45FD- Stations U-C4, N3
C6, N7**

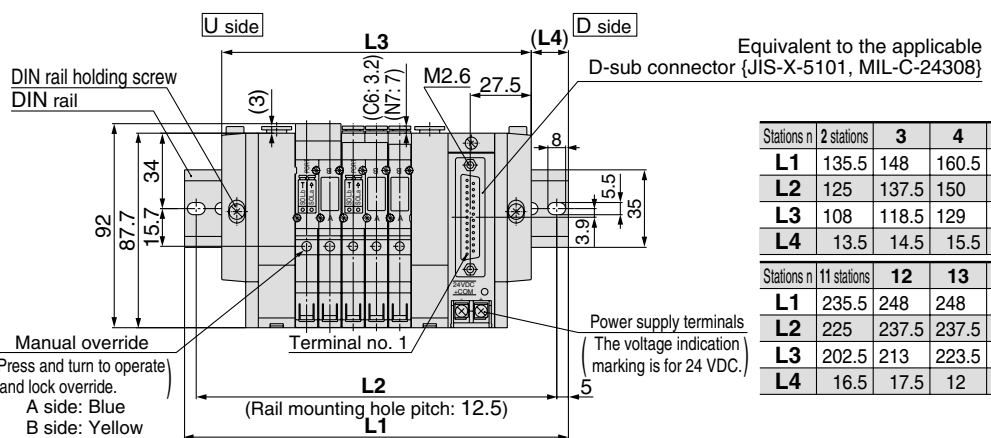
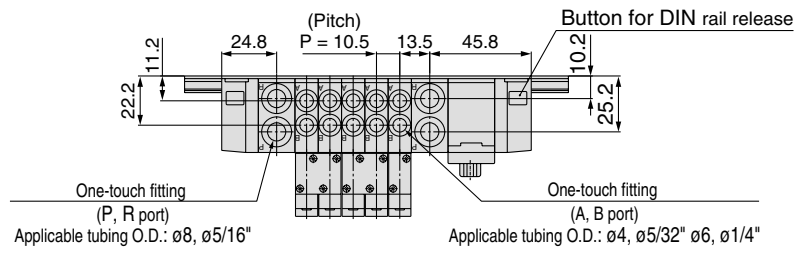


Note) The L1 to L4 dimensions of **SS5Y3-45FD- Stations D-C4, N3
C6, N7** are identical to those of **SS5Y3-45FD- Stations U-C4, N3
C6, N7**.



Stations n	2 stations	3	4	5	6	7	8	9	10 stations
L1	123	135.5	148	148	160.5	173	185.5	198	210.5
L2	112.5	125	137.5	137.5	150	162.5	175	187.5	200
L3	91.5	102	112.5	123	133.5	144	154.5	165	175.5
L4	15.5	16.5	17.5	12.5	13.5	14.5	15.5	16.5	17.5

**SS5Y3-45FD- Stations B-C4, N3
C6, N7**



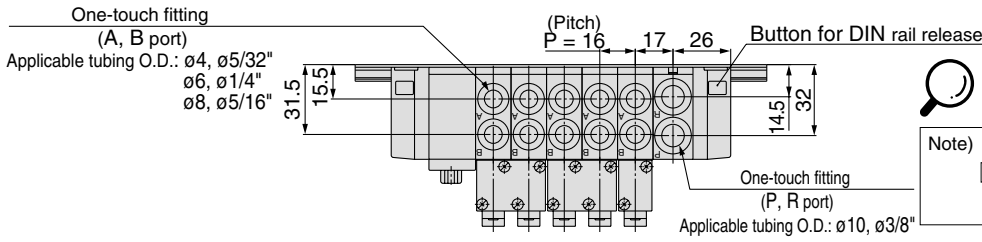
Stations n	2 stations	3	4	5	6	7	8	9	10 stations
L1	135.5	148	160.5	173	185.5	185.5	198	210.5	223
L2	125	137.5	150	162.5	175	175	187.5	200	212.5
L3	108	118.5	129	139.5	150	160.5	171	181.5	192
L4	13.5	14.5	15.5	16.5	17.5	12.5	13.5	14.5	15.5

Stations n	11 stations	12	13	14	15	16	17	18	19	20 stations
L1	235.5	248	248	260.5	273	285.5	298	310.5	310.5	323
L2	225	237.5	237.5	250	262.5	275	287.5	300	300	312.5
L3	202.5	213	223.5	234	244.5	255	265.5	276	286.5	297
L4	16.5	17.5	12	13	14	15	16	17	12	13

- SJ
- SY**
- SV
- SYJ
- SZ
- VP4
- S0700
- VQ
- VQ4
- VQ5
- VQC
- VQZ
- SQ
- VFS
- VFR
- VQ7

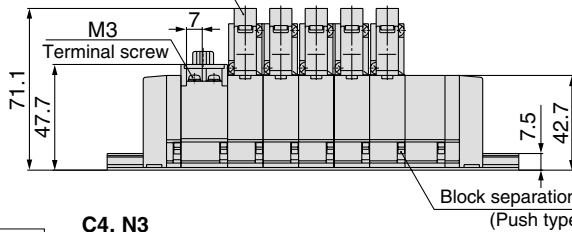
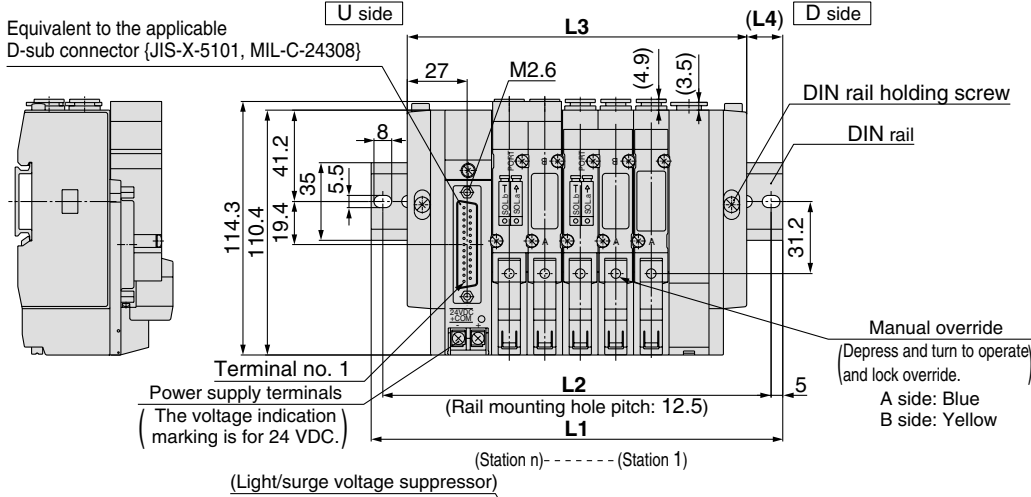
SY5000: D-sub Connector/Plug-in

SS5Y5-45FU- Stations D- ^{C4, N3}
^{C6, N7}
^{C8, N9}



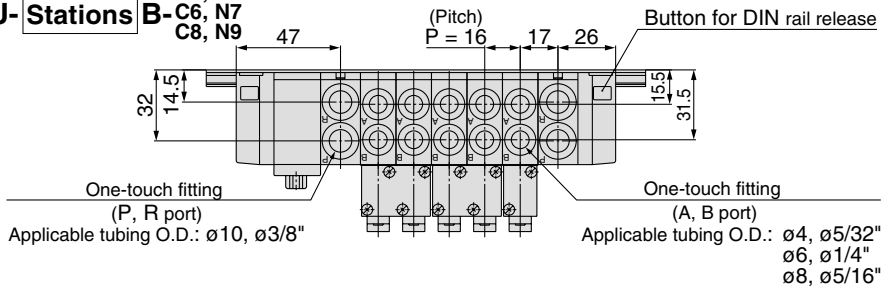
Note) The L1 to L4 dimensions of **SS5Y5-45FU- Stations U-** ^{C4, N3}
^{C6, N7} are identical to those of **SS5Y5-45FU- Stations D-** ^{C4, N3}
^{C6, N7}.

Equivalent to the applicable D-sub connector {JIS-X-5101, MIL-C-24308}

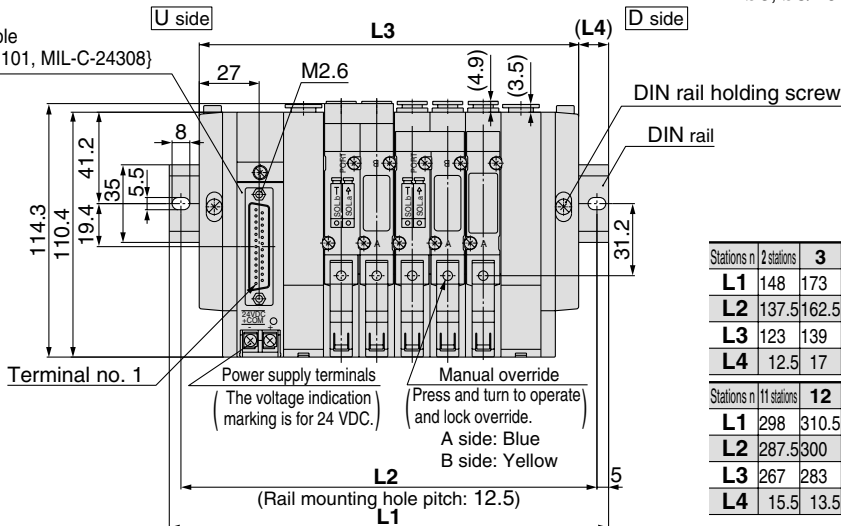


Stations n	2 stations	3	4	5	6	7	8	9	10 stations
L1	135.5	148	160.5	185.5	198	210.5	235.5	248	260.5
L2	125	137.5	150	175	187.5	200	225	237.5	250
L3	105	121	137	153	169	185	201	217	233
L4	15	13.5	11.5	16	14.5	12.5	17	15.5	13.5

SS5Y5-45FU- Stations B- ^{C4, N3}
^{C6, N7}
^{C8, N9}



Equivalent to the applicable D-sub connector {JIS-X-5101, MIL-C-24308}

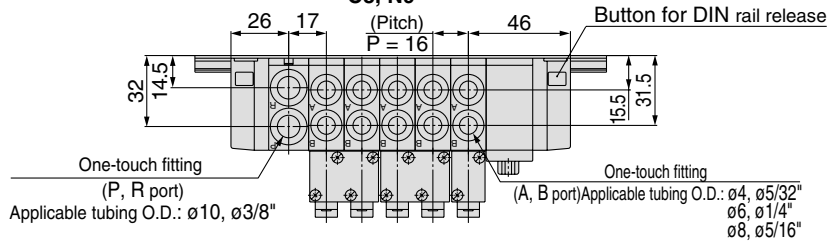


Stations n	2 stations	3	4	5	6	7	8	9	10 stations
L1	148	173	185.5	198	210.5	235.5	248	260.5	285.5
L2	137.5	162.5	175	187.5	200	225	237.5	250	275
L3	123	139	155	171	187	203	219	235	251
L4	12.5	17	15	13.5	11.5	16	14.5	12.5	17

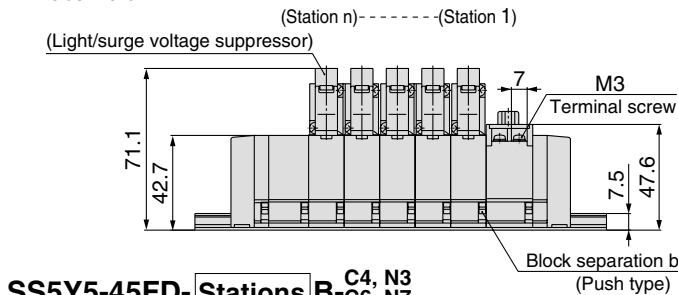
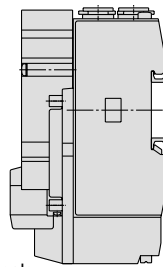
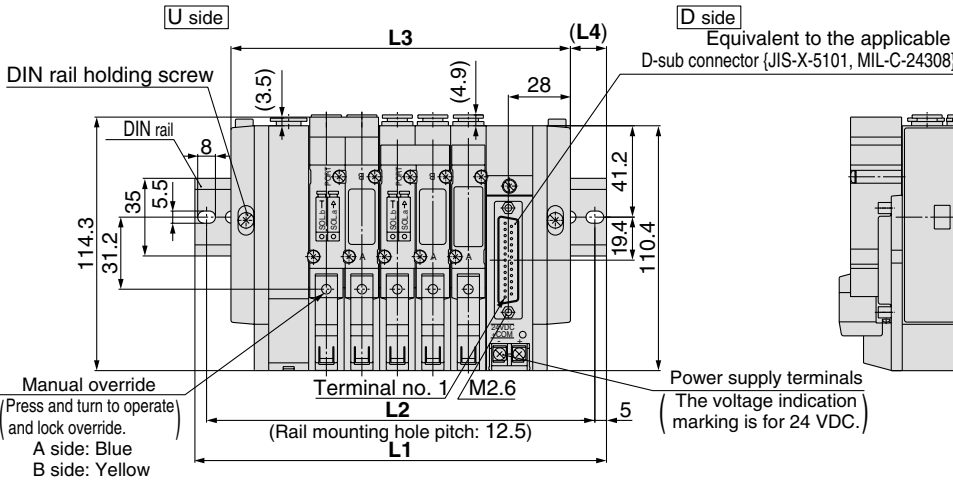
Stations n	11 stations	12	13	14	15	16	17	18	19	20 stations
L1	298	310.5	323	348	360.5	373	398	410.5	423	435.5
L2	287.5	300	312.5	337.5	350	362.5	387.5	400	412.5	425
L3	267	283	299	315	331	347	363	379	395	411
L4	15.5	13.5	12	16.5	14.5	13	17.5	15.5	14	12

SY5000: D-sub Connector/Plug-in

SS5Y5-45FD- Stations U- C4, N3
C6, N7
C8, N9

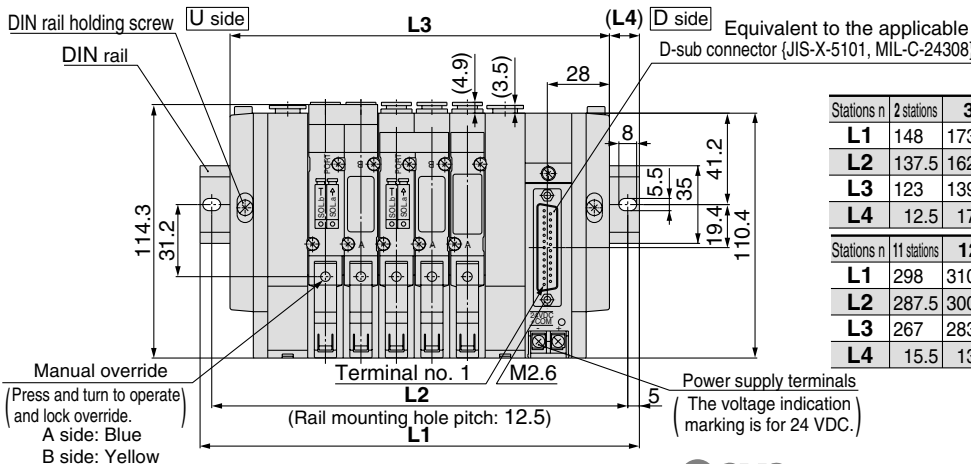
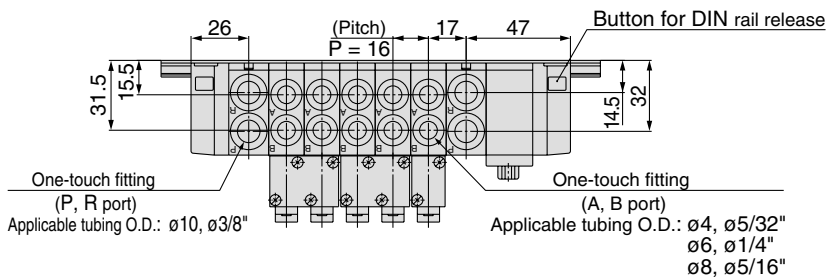


Note) The L1 to L4 dimensions of **SS5Y5-45FD- Stations D-** C4, N3
C6, N7 are identical to those of
SS5Y5-45FD- Stations U- C4, N3
C6, N7, C8, N9



Stations n	2 stations	3	4	5	6	7	8	9	10 stations
L1	135.5	148	160.5	185.5	198	210.5	235.5	248	260.5
L2	125	137.5	150	175	187.5	200	225	237.5	250
L3	105	121	137	153	169	185	201	217	233
L4	15	13.5	11.5	16	14.5	12.5	17	15.5	13.5

SS5Y5-45FD- Stations B- C4, N3
C6, N7
C8, N9



Stations n	2 stations	3	4	5	6	7	8	9	10 stations
L1	148	173	185.5	198	210.5	235.5	248	260.5	285.5
L2	137.5	162.5	175	187.5	200	225	237.5	250	275
L3	123	139	155	171	187	203	219	235	251
L4	12.5	17	15	13.5	11.5	16	14.5	12.5	17

Stations n	11 stations	12	13	14	15	16	17	18	19	20 stations
L1	298	310.5	323	348	360.5	373	398	410.5	423	435.5
L2	287.5	300	312.5	337.5	350	362.5	387.5	400	412.5	425
L3	267	283	299	315	331	347	363	379	395	411
L4	15.5	13.5	12	16.5	14.5	13	17.5	15.5	14	12

SJ

SY

SV

SYJ

SZ

VP4

S0700

VQ

VQ4

VQ5

VQC

VQZ

SQ

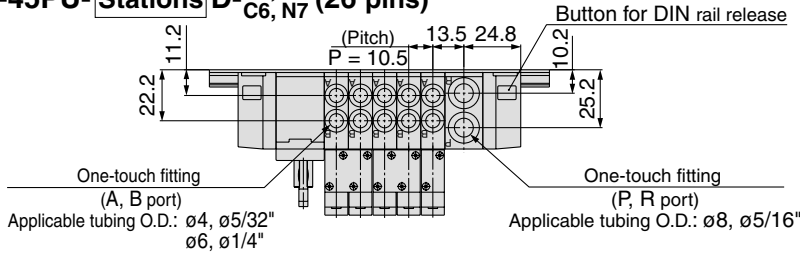
VFS

VFR

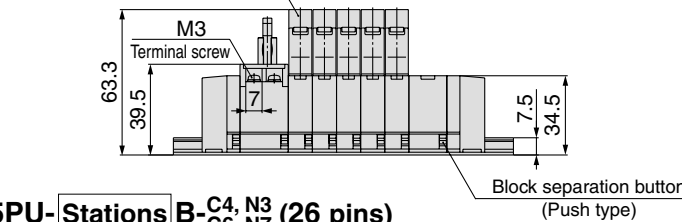
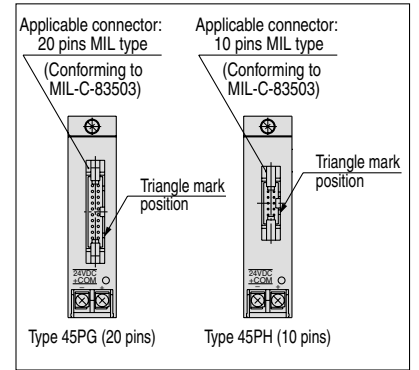
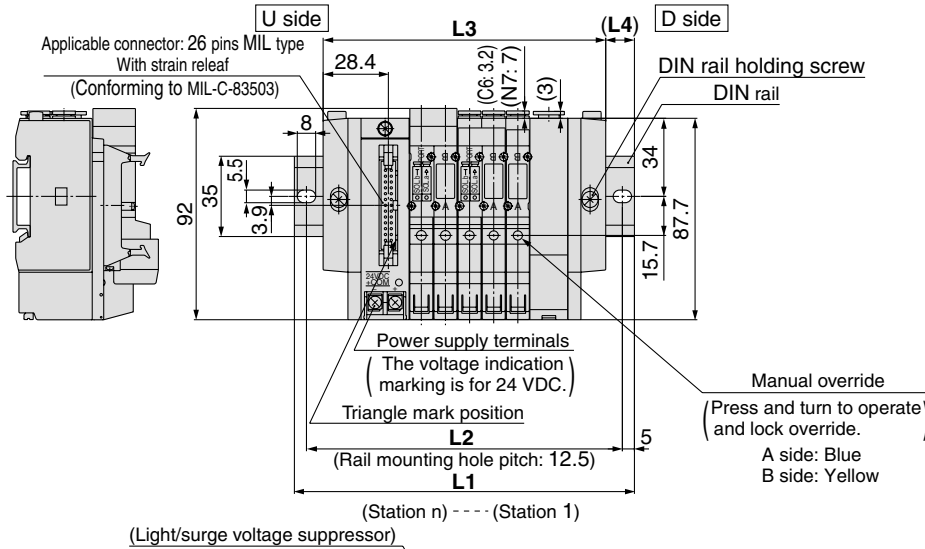
VQ7

SY3000: Flat Ribbon Cable/Plug-in

SS5Y3-45PU- Stations D-C₄, N₃ C₆, N₇ (26 pins)

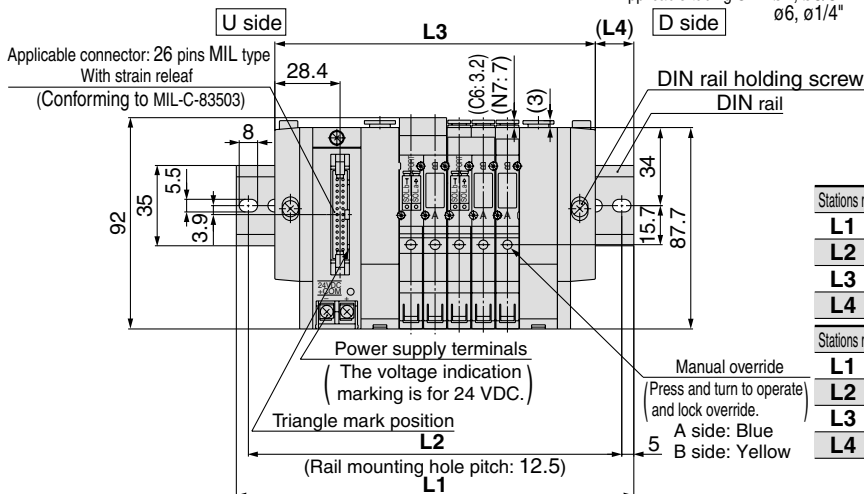
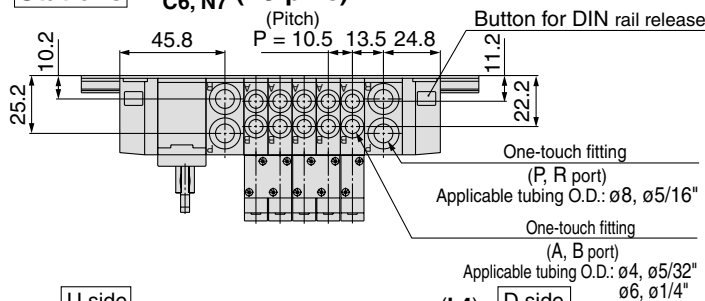


Note) The L1 to L4 dimensions of **SS5Y3-45P□U- Stations U-C₄, N₃ C₆, N₇** are identical to those of **SS5Y3-45PIU- Stations D-C₄, N₃ C₆, N₇**.



Stations n	2 stations	3	4	5	6	7	8	9	10 stations
L1	123	135.5	148	148	160.5	173	185.5	198	210.5
L2	112.5	125	137.5	137.5	150	162.5	175	187.5	200
L3	91.5	102	112.5	123	133.5	144	154.5	165	175.5
L4	15.5	16.5	17.5	12.5	13.5	14.5	15.5	16.5	17.5

SS5Y3-45PU- Stations B-C₄, N₃ C₆, N₇ (26 pins)

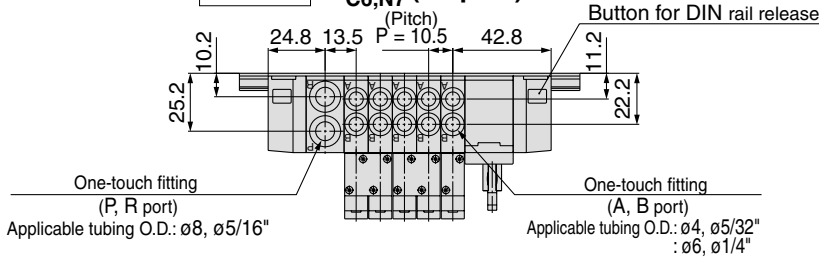


Stations n	2 stations	3	4	5	6	7	8	9	10 stations
L1	135.5	148	160.5	173	185.5	185.5	198	210.5	223
L2	125	137.5	150	162.5	175	175	187.5	200	212.5
L3	108	118.5	129	139.5	150	160.5	171	181.5	192
L4	13.5	14.5	15.5	16.5	17.5	12.5	13.5	14.5	15.5

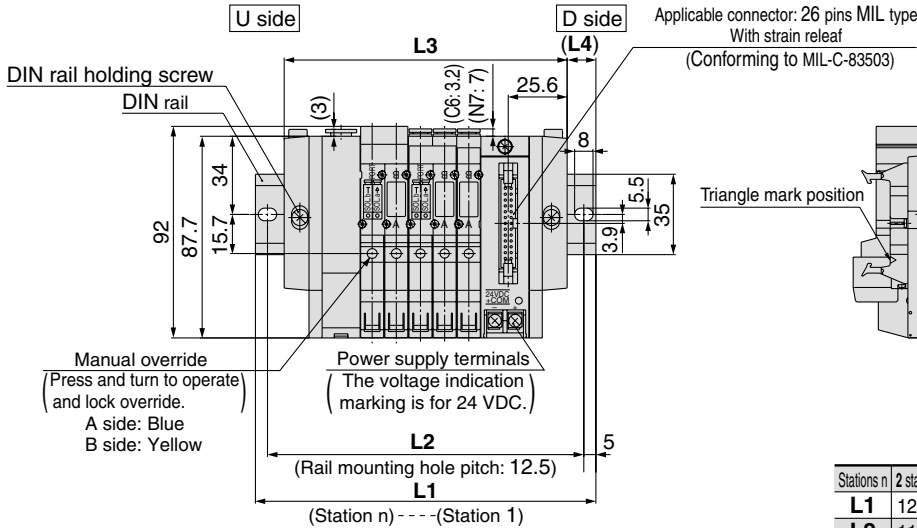
Stations n	11 stations	12	13	14	15	16	17	18	19	20 stations
L1	235.5	248	248	260.5	273	285.5	298	310.5	310.5	323
L2	225	237.5	237.5	250	262.5	275	287.5	300	300	312.5
L3	202.5	213	223.5	234	244.5	255	265.5	276	286.5	297
L4	16.5	17.5	12	13	14	15	16	17	12	13

SY3000: Flat Ribbon Cable/Plug-in

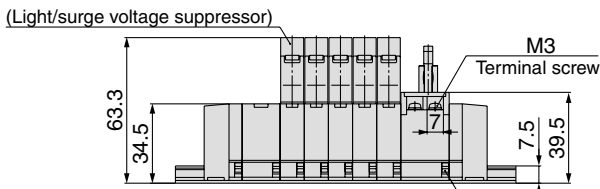
SS5Y3-45PD- Stations U-C_{4,N3} C_{6,N7} (26 pins)



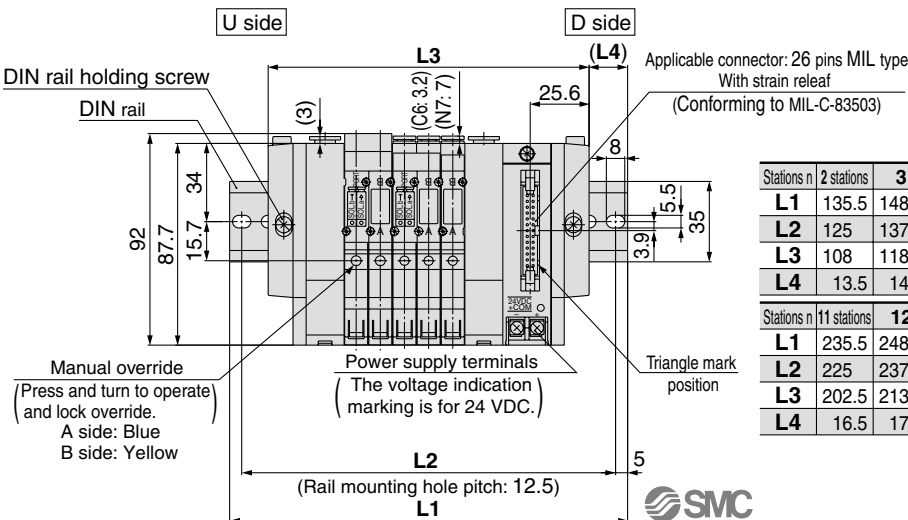
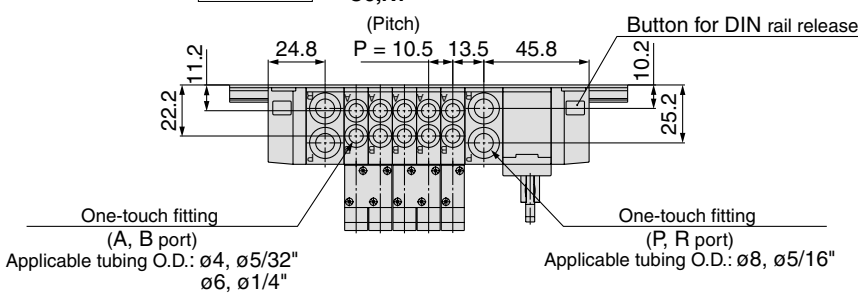
Note) The L1 to L4 dimensions of SS5Y3-45P□D- Stations D-C_{4,N3} C_{6,N7} are identical to those of SS5Y3-45P□D- Stations U-C_{4,N3} C_{6,N7}.



Stations n	2 stations	3	4	5	6	7	8	9	10 stations
L1	123	135.5	148	148	160.5	173	185.5	198	210.5
L2	112.5	125	137.5	137.5	150	162.5	175	187.5	200
L3	91.5	102	112.5	123	133.5	144	154.5	165	175.5
L4	15.5	16.5	17.5	12.5	13.5	14.5	15.5	16.5	17.5



SS5Y3-45PD- Stations B-C_{4,N3} C_{6,N7} (26 pins)



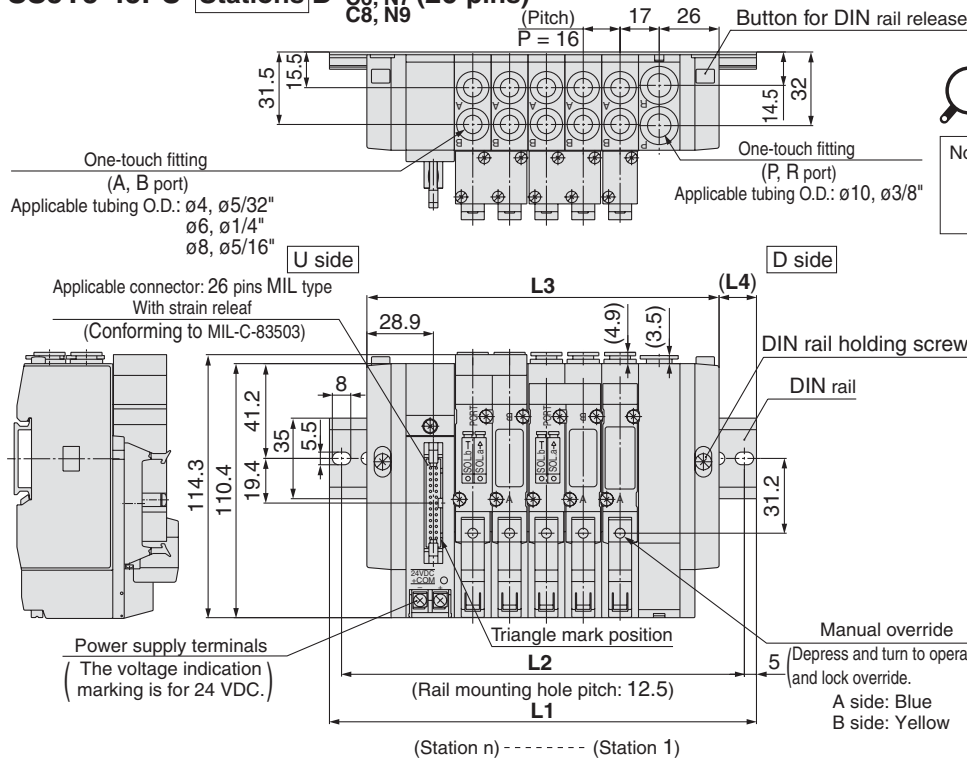
Stations n	2 stations	3	4	5	6	7	8	9	10 stations
L1	135.5	148	160.5	173	185.5	185.5	198	210.5	223
L2	125	137.5	150	162.5	175	175	187.5	200	212.5
L3	108	118.5	129	139.5	150	160.5	171	181.5	192
L4	13.5	14.5	15.5	16.5	17.5	12.5	13.5	14.5	15.5

Stations n	11 stations	12	13	14	15	16	17	18	19	20 stations
L1	235.5	248	248	260.5	273	285.5	298	310.5	310.5	323
L2	225	237.5	237.5	250	262.5	275	287.5	300	300	312.5
L3	202.5	213	223.5	234	244.5	255	265.5	276	286.5	297
L4	16.5	17.5	12	13	14	15	16	17	12	13

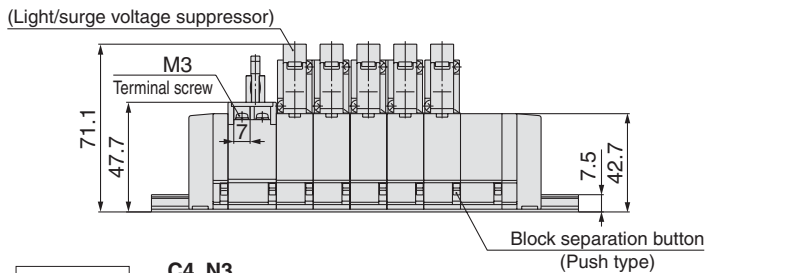
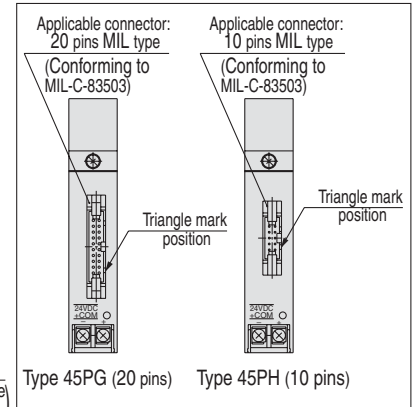
- SJ
- SY
- SV
- SYJ
- SZ
- VP4
- S0700
- VQ
- VQ4
- VQ5
- VQC
- VQZ
- SQ
- VFS
- VFR
- VQ7

SY5000: Flat Ribbon Cable/Plug-in

SS5Y5-45PU- Stations D-^{C4, N3}_{C6, N7} (26 pins)
^{C8, N9}

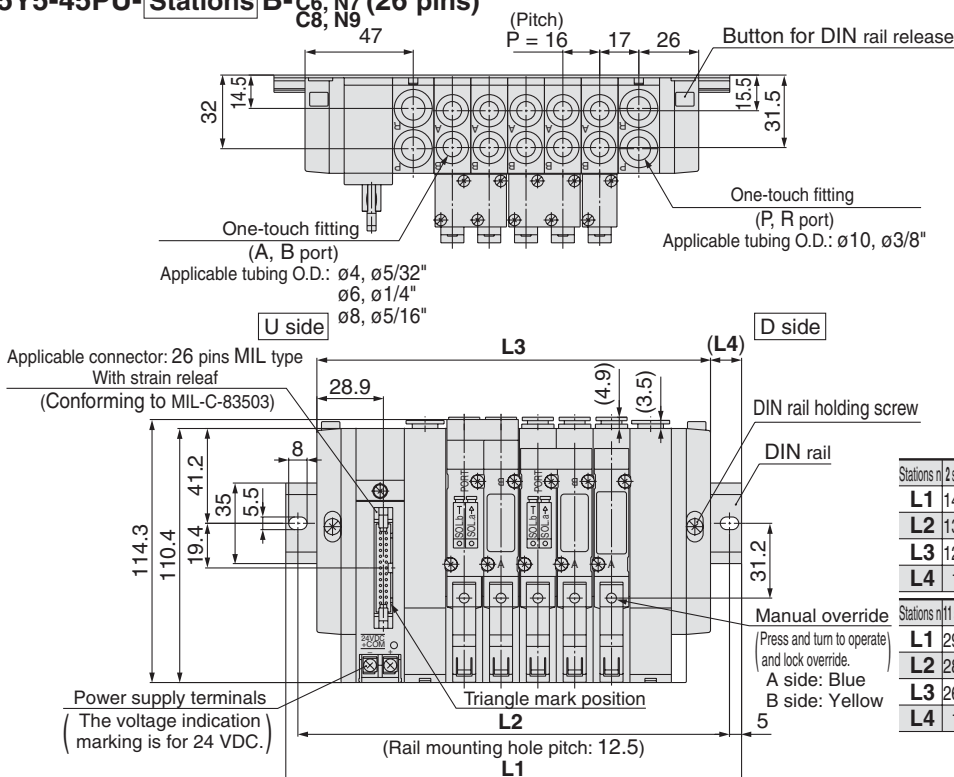


Note) The L1 to L4 dimensions of SS5Y5-45P□U- Stations U-^{C4, N3}_{C6, N7} are identical to those of SS5Y5-45P□U- Stations D-^{C4, N3}_{C6, N7}.



Stations n	2 stations	3	4	5	6	7	8	9	10 stations
L1	135.5	148	160.5	185.5	198	210.5	235.5	248	260.5
L2	125	137.5	150	175	187.5	200	225	237.5	250
L3	105	121	137	153	169	185	201	217	233
L4	15	13.5	11.5	16	14.5	12.5	17	15.5	13.5

SS5Y5-45PU- Stations B-^{C4, N3}_{C6, N7} (26 pins)
^{C8, N9}

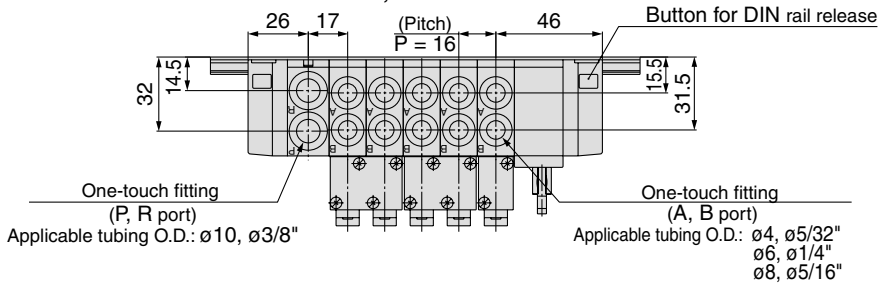


Stations n	2 stations	3	4	5	6	7	8	9	10 stations
L1	148	173	185.5	198	210.5	235.5	248	260.5	285.5
L2	137.5	162.5	175	187.5	200	225	237.5	250	275
L3	123	139	155	171	187	203	219	235	251
L4	12.5	17	15	13.5	11.5	16	14.5	12.5	17

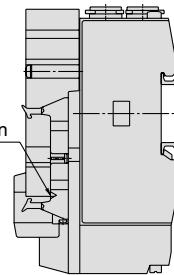
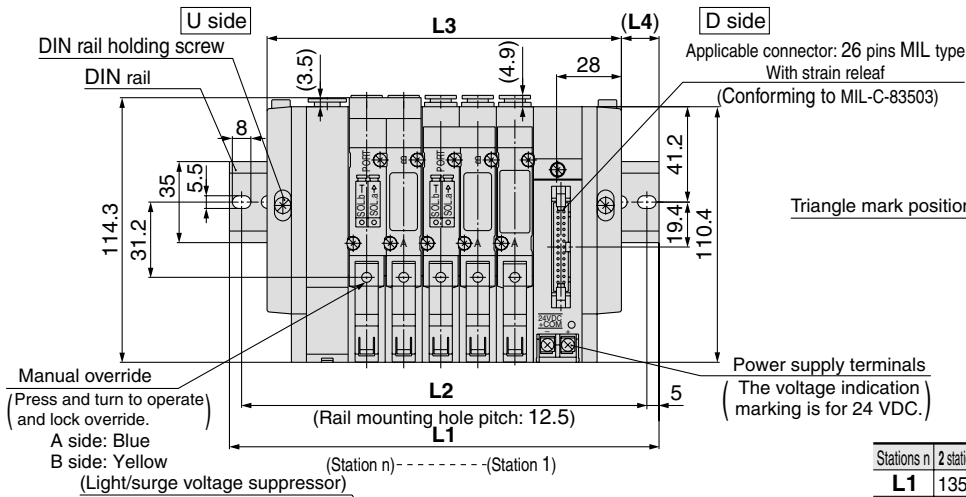
Stations n	11 stations	12	13	14	15	16	17	18	19	20 stations
L1	298	310.5	323	348	360.5	373	398	410.5	423	435.5
L2	287.5	300	312.5	337.5	350	362.5	387.5	400	412.5	425
L3	267	283	299	315	331	347	363	379	395	411
L4	15.5	13.5	12	16.5	14.5	13	17.5	15.5	14	12

SY5000: Flat Ribbon Cable/Plug-in

SS5Y5-45PD- Stations U-^{C4, N3}_{C6, N7} (26 pins)
^{C8, N9}

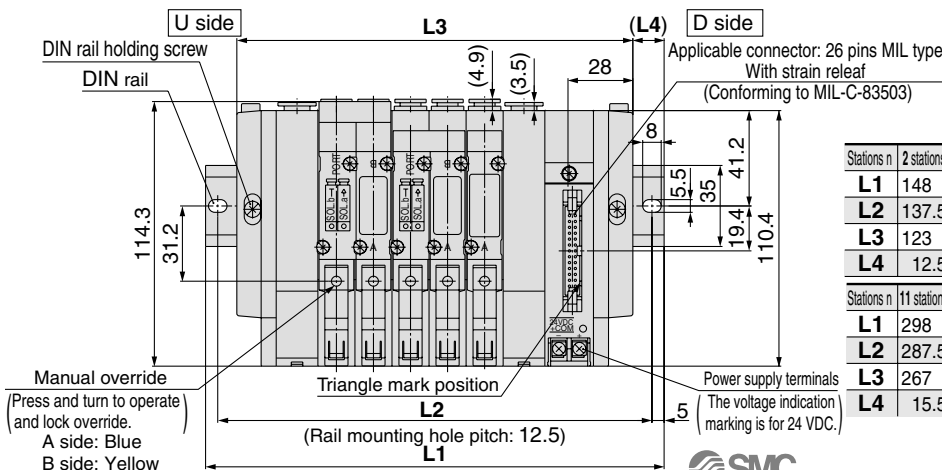
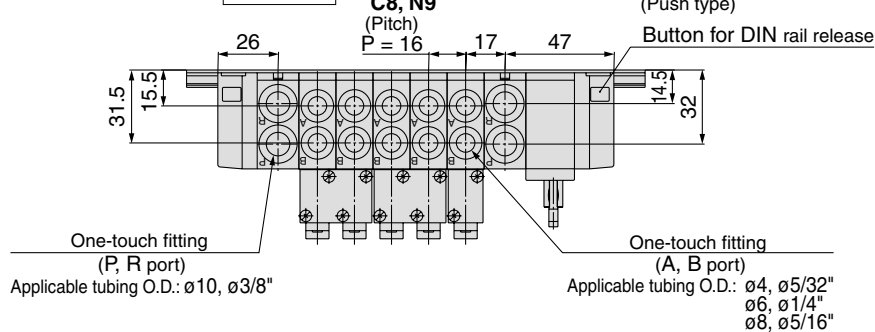


Note) The L1 to L4 dimensions of **SS5Y5-45P□D-**
^{C4, N3}
Stations ^{C6, N7}**D-** are identical to those of
^{C4, N3}
SS5Y3-45P□D- ^{C6, N7}**Stations** ^{C8, N9}**U-**



Stations n	2 stations	3	4	5	6	7	8	9	10 stations
L1	135.5	148	160.5	185.5	198	210.5	235.5	248	260.5
L2	125	137.5	150	175	187.5	200	225	237.5	250
L3	105	121	137	153	169	185	201	217	233
L4	15	13.5	11.5	16	14.5	12.5	17	15.5	13.5

SS5Y5-45PD- Stations B-^{C4, N3}_{C6, N7} (26 pins)
^{C8, N9}



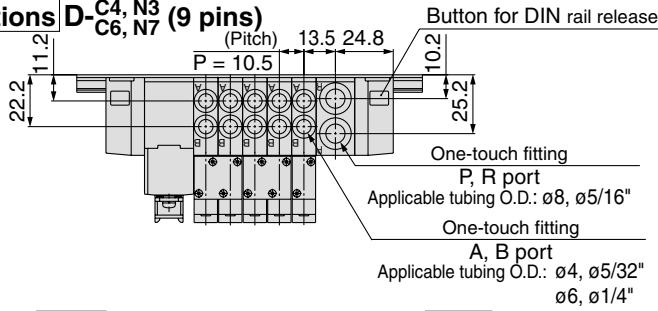
Stations n	2 stations	3	4	5	6	7	8	9	10 stations
L1	148	173	185.5	198	210.5	235.5	248	260.5	285.5
L2	137.5	162.5	175	187.5	200	225	237.5	250	275
L3	123	139	155	171	187	203	219	235	251
L4	12.5	17	15	13.5	11.5	16	14.5	12.5	17

Stations n	11 stations	12	13	14	15	16	17	18	19	20 stations
L1	298	310.5	323	348	360.5	373	398	410.5	423	435.5
L2	287.5	300	312.5	337.5	350	362.5	387.5	400	412.5	425
L3	267	283	299	315	331	347	363	379	395	411
L4	15.5	13.5	12	16.5	14.5	13	17.5	15.5	14	12

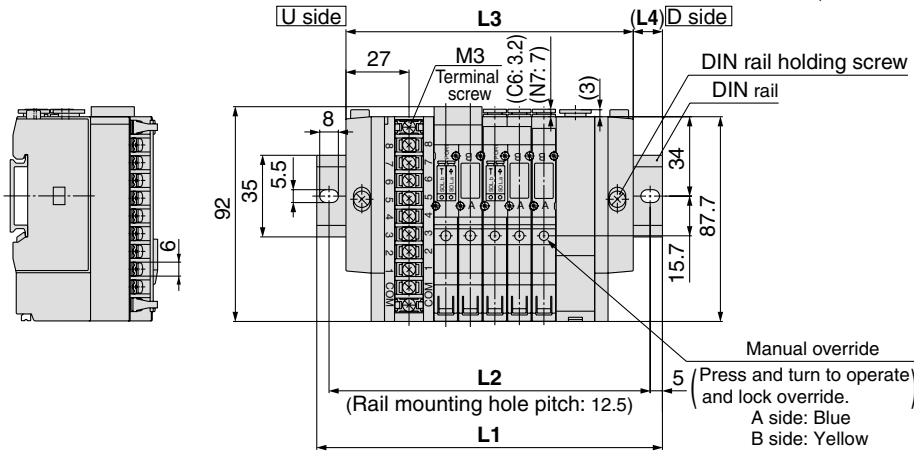
- SJ
- SY
- SV
- SYJ
- SZ
- VP4
- S0700
- VQ
- VQ4
- VQ5
- VQC
- VQZ
- SQ
- VFS
- VFR
- VQ7

SY3000: 9 Pins Terminal Block/Plug-in

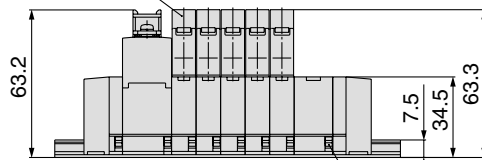
SS5Y3-45TU- Stations D-C₄, N₃ C₆, N₇ (9 pins)



Note) The L1 to L4 dimensions of **SS5Y3-45TU- Stations U-C₄, N₃ C₆, N₇**, **SS5Y3-45TD- Stations U-C₄, N₃ C₆, N₇**, **SS5Y3-45TD- Stations D-C₄, N₃ C₆, N₇** are identical those of SS5Y3-45TU- Stations D-C₄, N₃ C₆, N₇.



(Light/surge voltage suppressor) (Station n) --- (Station 1)

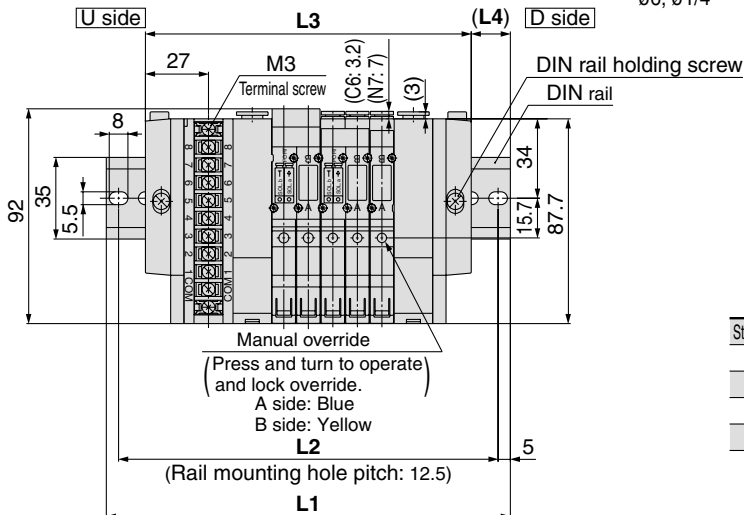
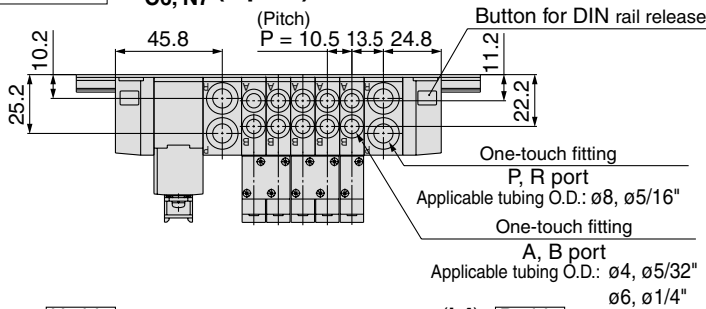


Stations n	2 stations	3	4	5	6	7	8 stations
L1	123	135.5	148	148	160.5	173	185.5
L2	112.5	125	137.5	137.5	150	162.5	175
L3	91.5	102	112.5	123	133.5	144	154.5
L4	15.5	16.5	17.5	12.5	13.5	14.5	15.5



Note) The L1 to L4 dimensions of **SS5Y3-45TD- Stations B-C₄, N₃ C₆, N₇** are identical to those of SS5Y3-45TU- Stations B-C₄, N₃ C₆, N₇.

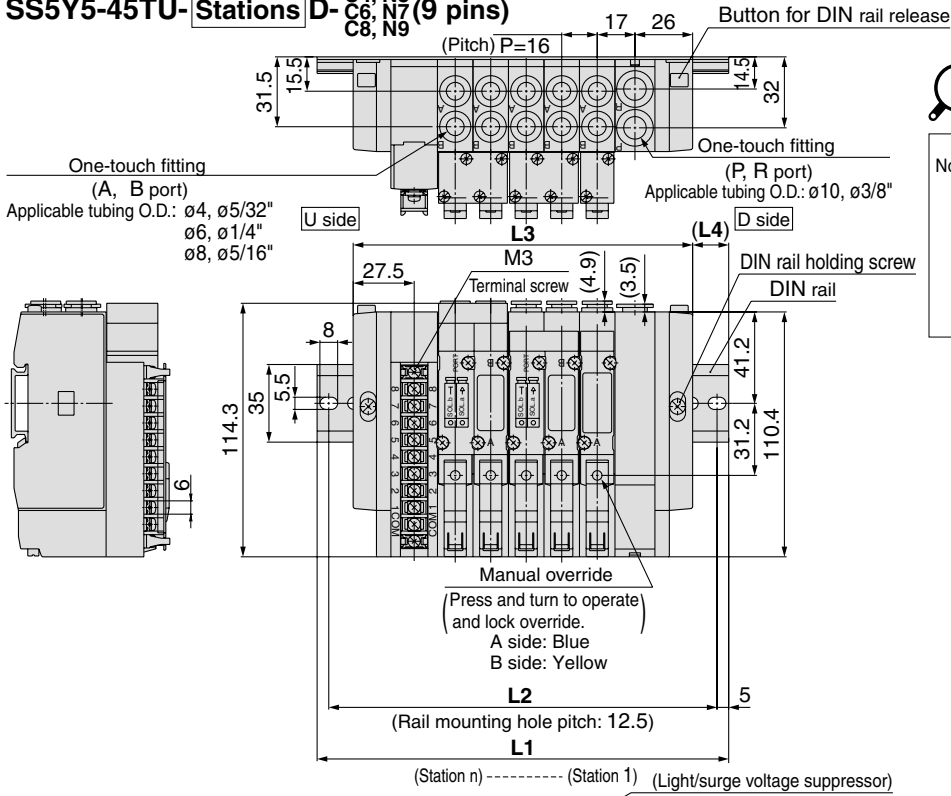
SS5Y3-45TU- Stations B-C₄, N₃ C₆, N₇ (9 pins)



Stations n	2 stations	3	4	5	6	7	8 stations
L1	135.5	148	160.5	173	185.5	185.5	198
L2	125	137.5	150	162.5	175	175	187.5
L3	108	118.5	129	139.5	150	160.5	171
L4	13.5	14.5	15.5	16.5	17.5	12.5	13.5

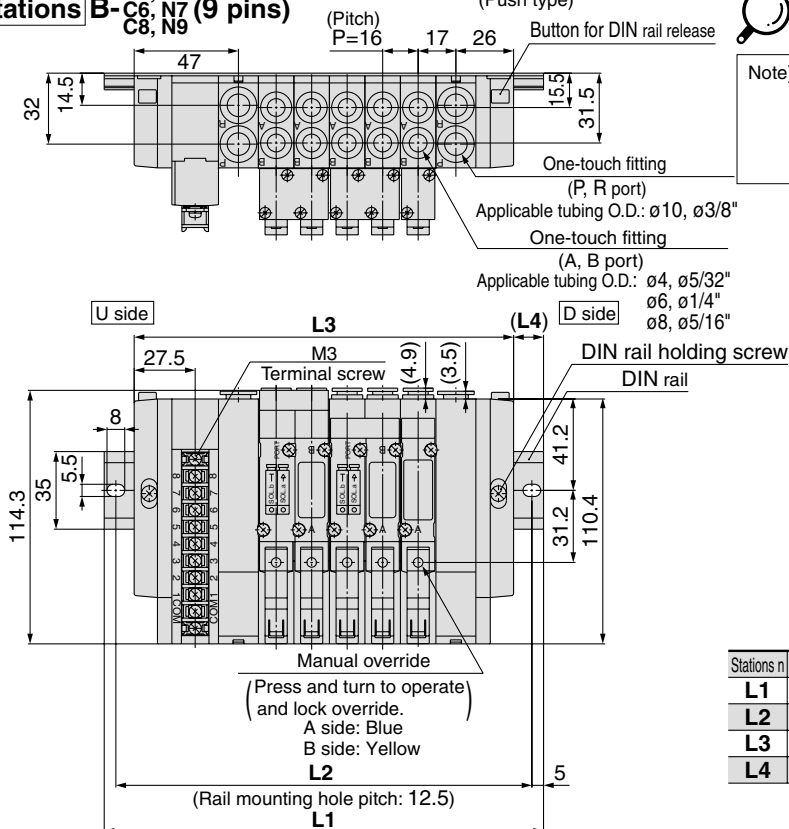
SY5000: 9 Pins Terminal Block/Plug-in

SS5Y5-45TU- Stations D-^{C4, N3}_{C6, N7, C8, N9} (9 pins)



Note) The L1 to L4 dimensions of **SS5Y5-45TU-**
Stations U-^{C4, N3}_{C6, N7, C8, N9}, **SS5Y5-45TD-**
Stations U-^{C4, N3}_{C6, N7, C8, N9}
SS5Y5-45TD-**Stations D-^{C4, N3}_{C6, N7, C8, N9}** are identical those
of **SS5Y5-45TU-****Stations D-^{C4, N3}_{C6, N7, C8, N9}**

SS5Y5-45TU- Stations B-^{C4, N3}_{C6, N7, C8, N9} (9 pins)



Note) The L1 to L4 dimensions of **SS5Y5-45TD-**
Stations B-^{C4, N3}_{C6, N7, C8, N9} are identical to those of
SS5Y5-45TU-**Stations B-^{C4, N3}_{C6, N7, C8, N9}**

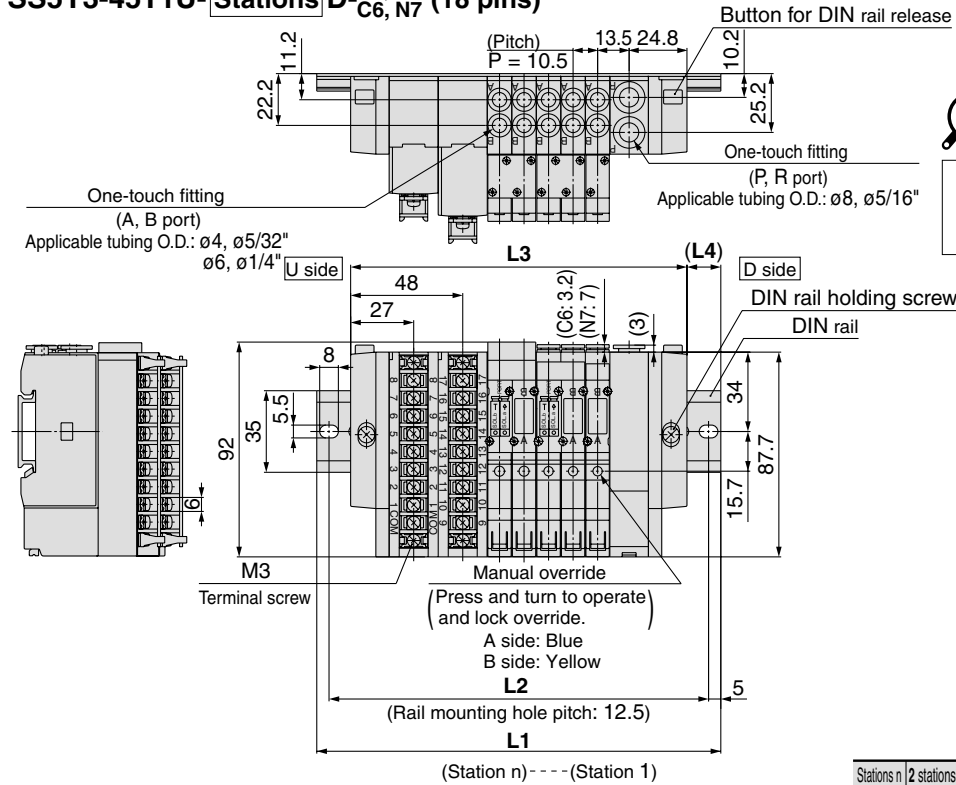
Stations n	2 stations	3	4	5	6	7	8 stations
L1	135.5	148	160.5	185.5	198	210.5	235.5
L2	125	137.5	150	175	187.5	200	225
L3	105	121	137	153	169	185	201
L4	15	13.5	11.5	16	14.5	12.5	17

Stations n	2 stations	3	4	5	6	7	8 stations
L1	148	173	185.5	198	210.5	235.5	248
L2	137.5	162.5	175	187.5	200	225	237.5
L3	123	139	155	171	187	203	219
L4	12.5	17	15	13.5	11.5	16	14.5

- SJ
- SY
- SV
- SYJ
- SZ
- VP4
- S0700
- VQ
- VQ4
- VQ5
- VQC
- VQZ
- SQ
- VFS
- VFR
- VQ7

SY3000: 18 Pins Terminal Block/Plug-in

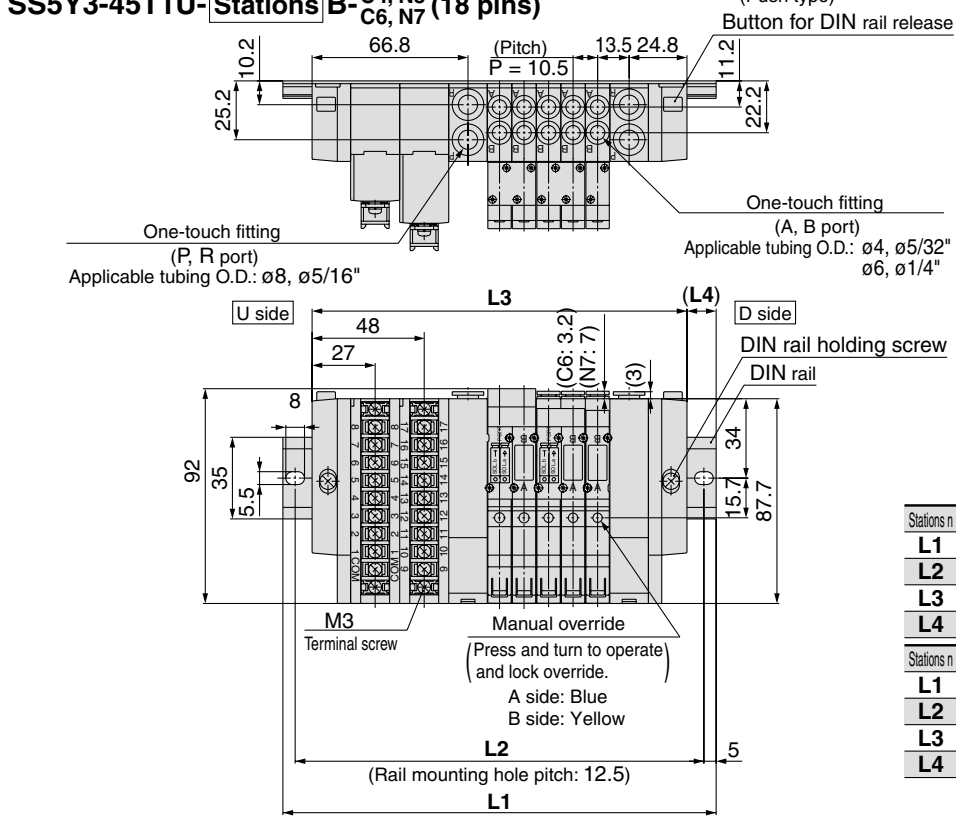
**SS5Y3-45T1U- Stations D-C₄, N₃
C₆, N₇ (18 pins)**



Note) The L1 to L4 dimensions of **SS5Y3-45T1U- Stations U-C₄, N₃
C₆, N₇** are identical to those of **SS5Y3-45T1U- Stations D-C₄, N₃
C₆, N₇**.

Stations n	2 stations	3	4	5	6	7	8	9	10 stations
L1	148	148	160.5	173	185.5	198	210.5	210.5	223
L2	137.5	137.5	150	162.5	175	187.5	200	200	212.5
L3	112.5	123	133.5	144	154.5	165	175.5	186	196.5
L4	17.5	12.5	13.5	14.5	15.5	16.5	17.5	12	13

**SS5Y3-45T1U- Stations B-C₄, N₃
C₆, N₇ (18 pins)**

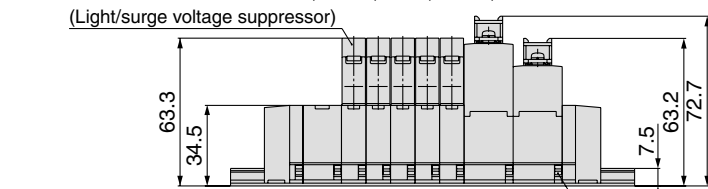
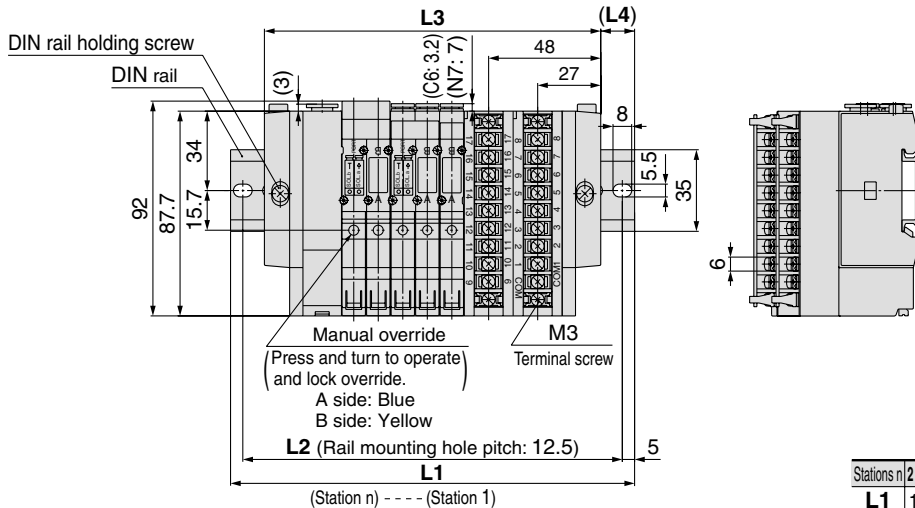
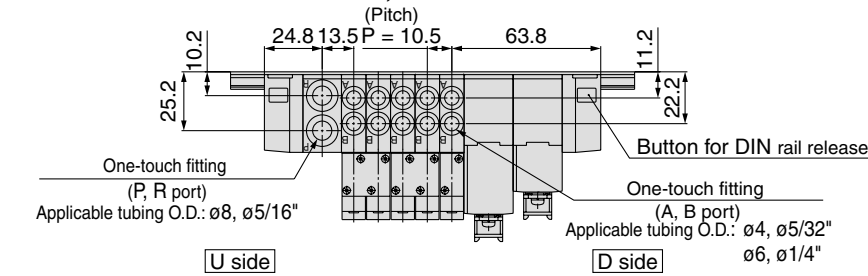


Stations n	2 stations	3	4	5	6	7	8	9 stations
L1	160.5	173	185.5	185.5	198	210.5	223	235.5
L2	150	162.5	175	175	187.5	200	212.5	225
L3	129	139.5	150	160.5	171	181.5	192	202.5
L4	15.5	16.5	17.5	12.5	13.5	14.5	15.5	16.5

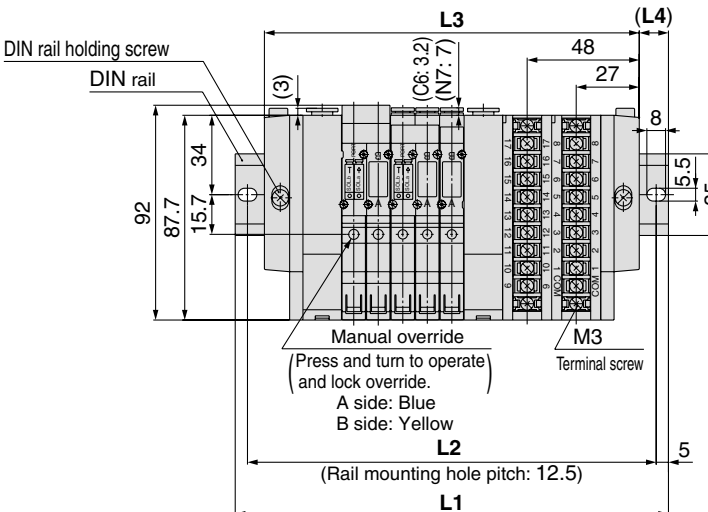
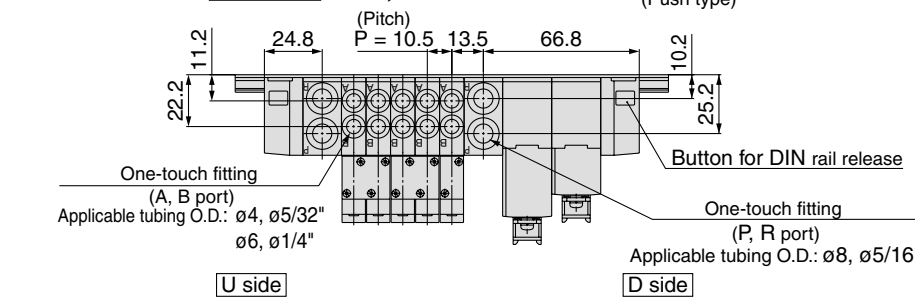
Stations n	10 stations	11	12	13	14	15	16	17 stations
L1	248	248	260.5	273	285.5	298	310.5	310.5
L2	237.5	237.5	250	262.5	275	287.5	300	300
L3	213	223.5	234	244.5	255	265.5	276	286.5
L4	17.5	12	13	14	15	16	17	12

SY3000: 9 Pins Terminal Block/Plug-in

SS5Y3-45T1D- Stations U-C₆^{N3} (18 pins)



SS5Y3-45T1D- Stations B-C₄^{N3} (18 pins)



Note) The L1 to L4 dimensions of SS5Y3-45T1D- Stations D-C₆^{N3} are identical to those of SS5Y3-45T1D- Stations U-C₆^{N3}.

Stations n	2 stations	3	4	5	6	7	8	9	10 stations
L1	148	148	160.5	173	185.5	198	210.5	210.5	223
L2	137.5	137.5	150	162.5	175	187.5	200	200	212.5
L3	112.5	123	133.5	144	154.5	165	175.5	186	196.5
L4	17.5	12.5	13.5	14.5	15.5	16.5	17.5	12	13

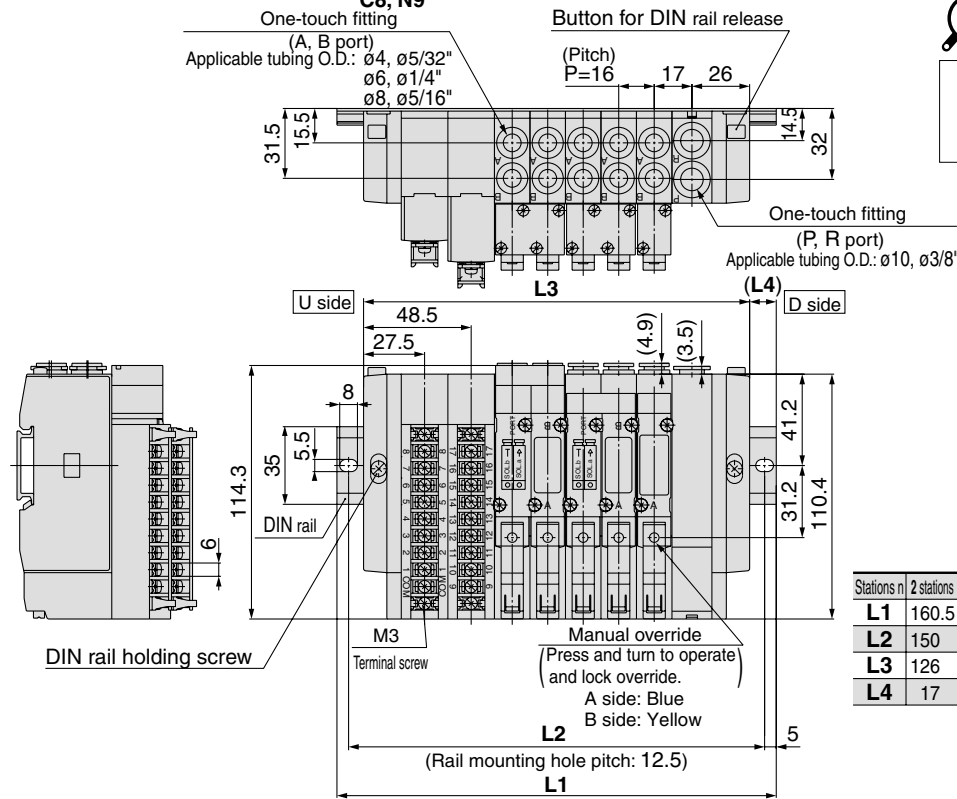
Stations n	2 stations	3	4	5	6	7	8	9 stations
L1	160.5	173	185.5	185.5	198	210.5	223	235.5
L2	150	162.5	175	175	187.5	200	212.5	225
L3	129	139.5	150	160.5	171	181.5	192	202.5
L4	15.5	16.5	17.5	12.5	13.5	14.5	15.5	16.5

Stations n	10 stations	11	12	13	14	15	16	17 stations
L1	248	248	260.5	273	285.5	298	310.5	310.5
L2	237.5	237.5	250	262.5	275	287.5	300	300
L3	213	223.5	234	244.5	255	265.5	276	286.5
L4	17.5	12	13	14	15	16	17	12

- SJ
- SY
- SV
- SYJ
- SZ
- VP4
- S0700
- VQ
- VQ4
- VQ5
- VQC
- VQZ
- SQ
- VFS
- VFR
- VQ7

SY5000: 18 Pins Terminal Block/Plug-in

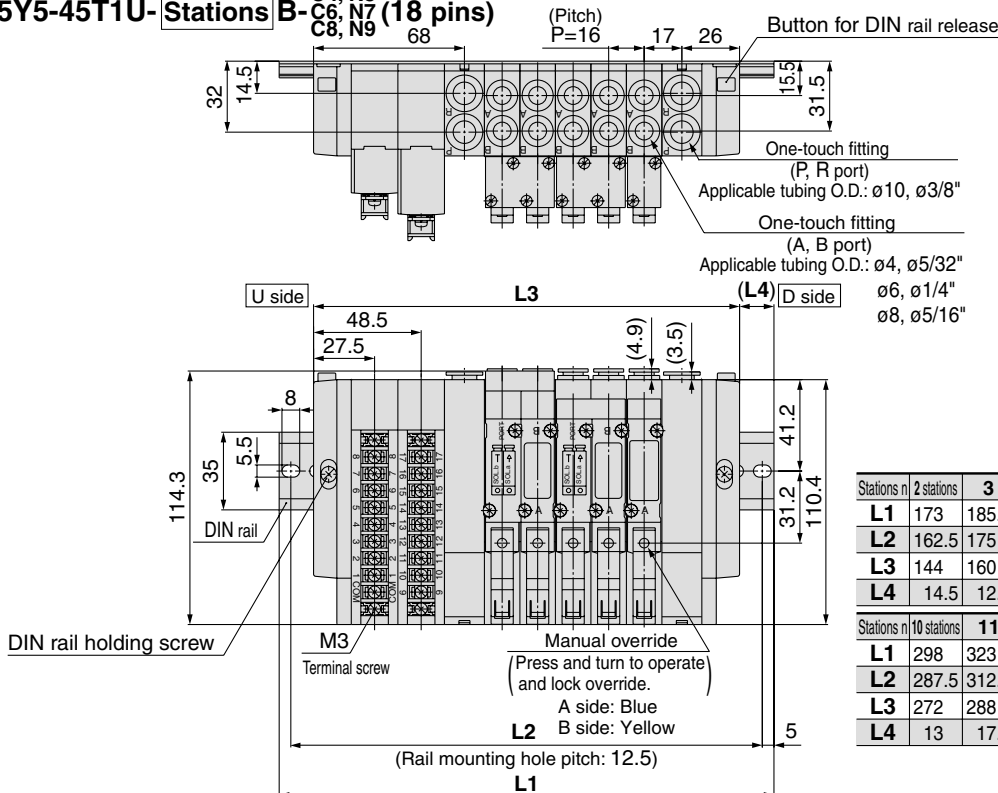
**SS5Y5-45T1U- Stations D-C₄, N₃
C₆, N₇ (18 pins)**



Note) The L1 to L4 dimensions of **SS5Y5-45T1U- Stations U-C₄, N₃
C₆, N₇** are identical to those of **SS5Y5-45T1U- Stations D-C₄, N₃
C₆, N₇**

Stations n	2 stations	3	4	5	6	7	8	9	10 stations
L1	160.5	173	185.5	198	223	235.5	248	273	285.5
L2	150	162.5	175	187.5	212.5	225	237.5	262.5	275
L3	126	142	158	174	190	206	222	238	254
L4	17	15.5	13.5	12	16.5	14.5	13	17.5	15.5

**SS5Y5-45T1U- Stations B-C₄, N₃
C₆, N₇ (18 pins)**

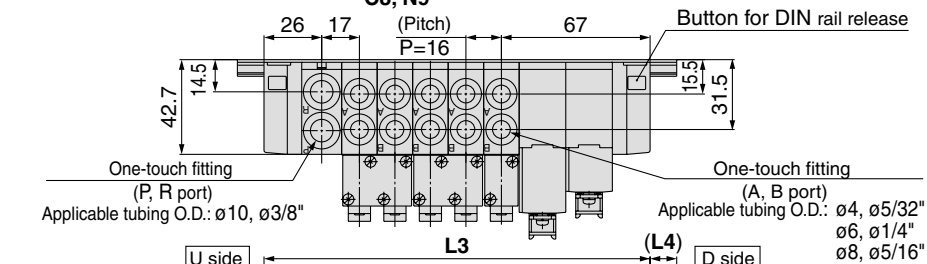


Stations n	2 stations	3	4	5	6	7	8	9 stations
L1	173	185.5	210.5	223	235.5	248	273	285.5
L2	162.5	175	200	212.5	225	237.5	262.5	275
L3	144	160	176	192	208	224	240	256
L4	14.5	12.5	17	15.5	13.5	12	16.5	14.5

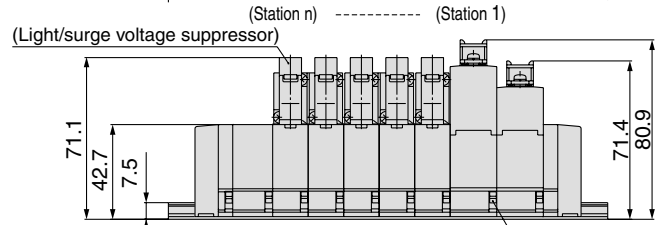
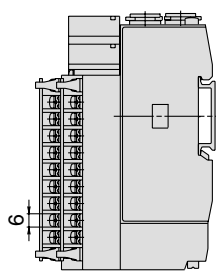
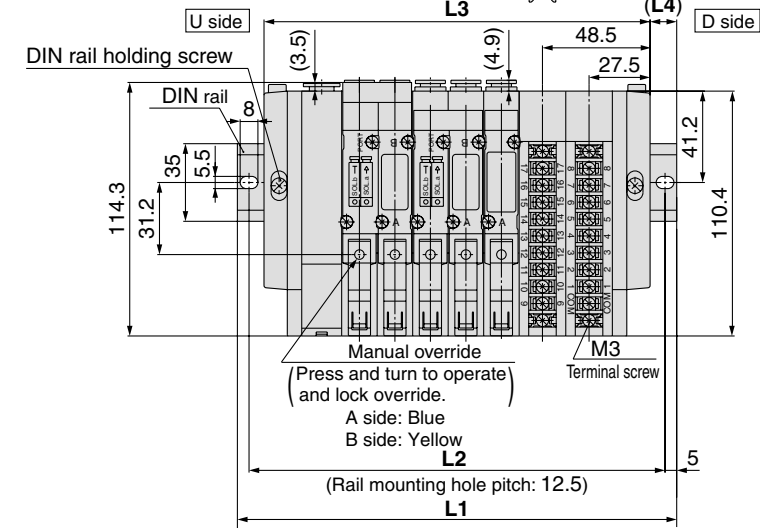
Stations n	10 stations	11	12	13	14	15	16	17 stations
L1	298	323	335.5	348	360.5	385.5	398	410.5
L2	287.5	312.5	325	337.5	350	375	387.5	400
L3	272	288	304	320	336	352	368	384
L4	13	17.5	15.5	14	12	16.5	15	13

SY5000: 18 Pins Terminal Block/Plug-in

**SS5Y5-45T1D- Stations U- C4, N3
C6, N7 (18 pins)
C8, N9**

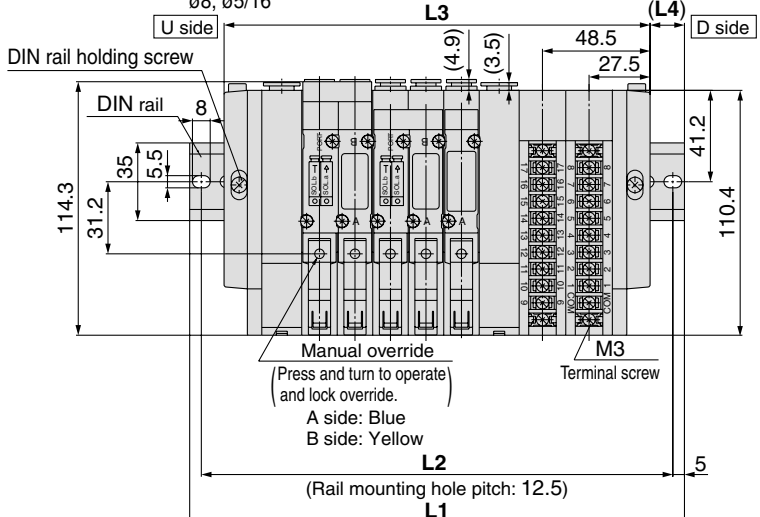
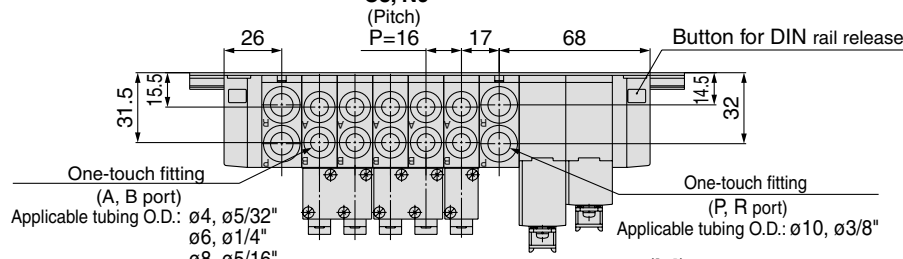


Note) The L1 to L4 dimensions of **SS5Y5-45T1D- Stations D- C4, N3
C6, N7 (18 pins)
C8, N9** are identical to those of **SS5Y5-45T1D- Stations U- C4, N3
C6, N7 (18 pins)
C8, N9**



Stations n	2 stations	3	4	5	6	7	8	9	10 stations
L1	160.5	173	185.5	198	223	235.5	248	273	285.5
L2	150	162.5	175	187.5	212.5	225	237.5	262.5	275
L3	126	142	158	174	190	206	222	238	254
L4	17	15.5	13.5	12	16.5	14.5	13	17.5	15.5

**SS5Y5-45T1D- Stations B- C4, N3
C6, N7 (18 pins)
C8, N9**



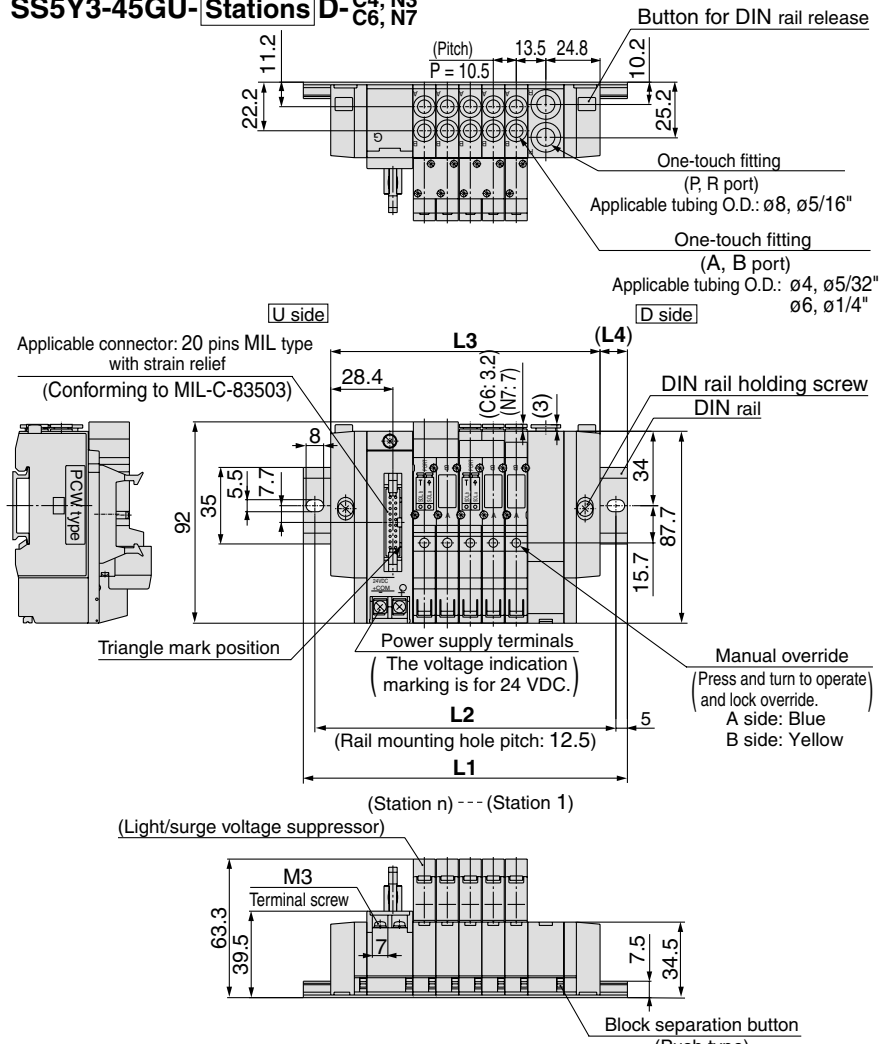
Stations n	2 stations	3	4	5	6	7	8	9 stations
L1	173	185.5	210.5	223	235.5	248	273	285.5
L2	162.5	175	200	212.5	225	237.5	262.5	275
L3	144	160	176	192	208	224	240	256
L4	14.5	12.5	17	15.5	13.5	12	16.5	14.5

Stations n	10 stations	11	12	13	14	15	16	17 stations
L1	298	323	335.5	348	360.5	385.5	398	410.5
L2	287.5	312.5	325	337.5	350	375	387.5	400
L3	272	288	304	320	336	352	368	384
L4	13	17.5	15.5	14	12	16.5	15	13

- SJ
- SY
- SV
- SYJ
- SZ
- VP4
- S0700
- VQ
- VQ4
- VQ5
- VQC
- VQZ
- SQ
- VFS
- VFR
- VQ7

SY3000: PC Wiring System Compatible (Flat ribbon cable/Plug-in)

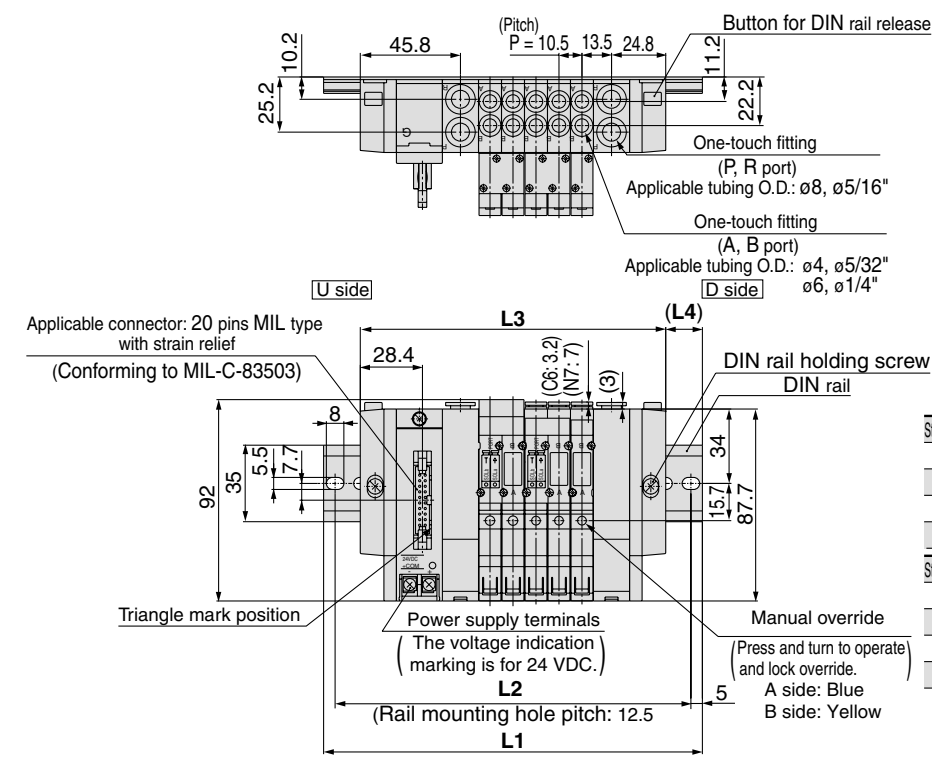
**SS5Y3-45GU- Stations D- C4, N3
C6, N7**



Note) The L1 to L4 dimensions of **SS5Y3-45GU- Stations U- C4, N3
C6, N7** are identical to those of **SS5Y3-45GU- Stations D- C4, N3
C6, N7**.

Stations n	2 stations	3	4	5	6	7	8	9	10 stations
L1	123	135.5	148	148	160.5	173	185.5	198	210.5
L2	112.5	125	137.5	137.5	150	162.5	175	187.5	200
L3	91.5	102	112.5	123	133.5	144	154.5	165	175.5
L4	15.5	16.5	17.5	12.5	13.5	14.5	15.5	16.5	17.5

**SS5Y3-45GU- Stations B- C4, N3
C6, N7**

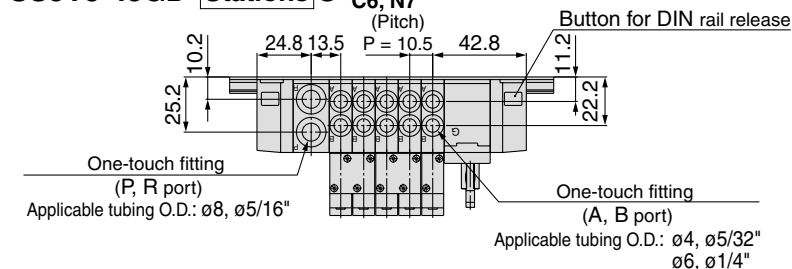


Stations n	2 stations	3	4	5	6	7	8	9	10 stations
L1	135.5	148	160.5	173	185.5	185.5	198	210.5	223
L2	125	137.5	150	162.5	175	175	187.5	200	212.5
L3	108	118.5	129	139.5	150	160.5	171	181.5	192
L4	13.5	14.5	15.5	16.5	17.5	12.5	13.5	14.5	15.5

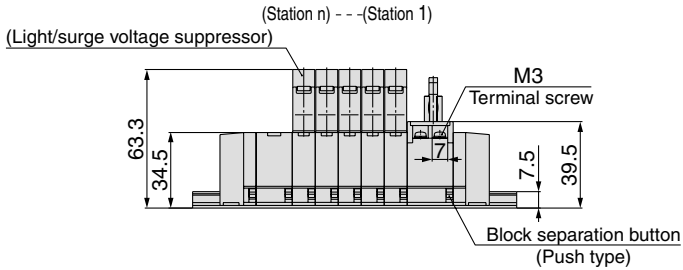
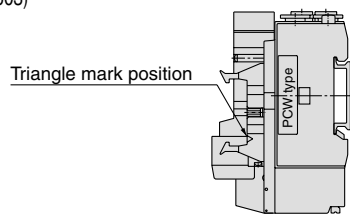
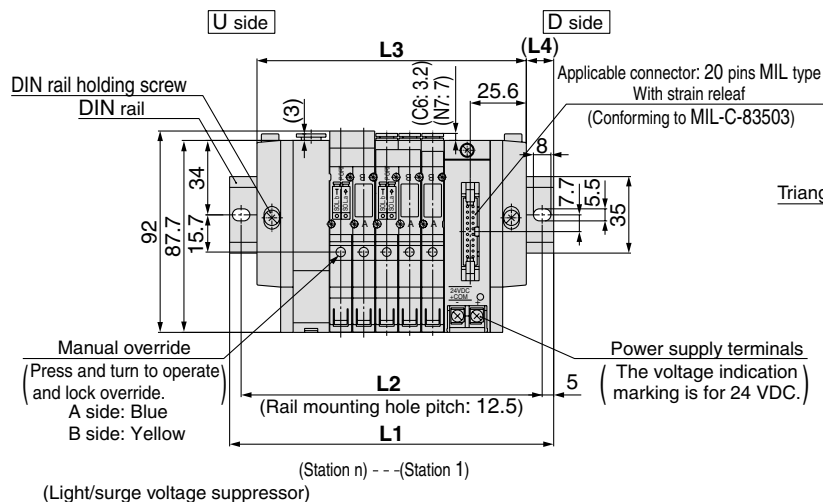
Stations n	11 stations	12	13	14	15	16 stations
L1	235.5	248	248	260.5	273	285.5
L2	225	237.5	237.5	250	262.5	275
L3	202.5	213	223.5	234	244.5	255
L4	16.5	17.5	12	13	14	15

SY3000: PC Wiring System Compatible (Flat ribbon cable/Plug-in)

SS5Y3-45GD- Stations U-^{C4, N3}_{C6, N7}

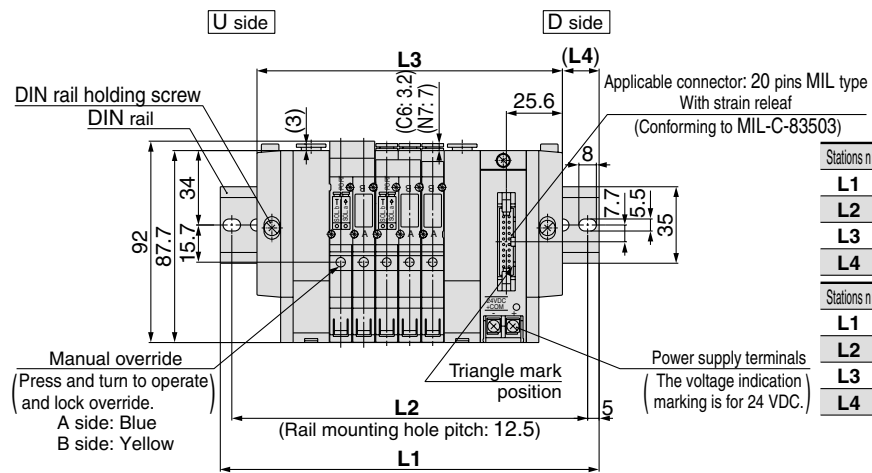
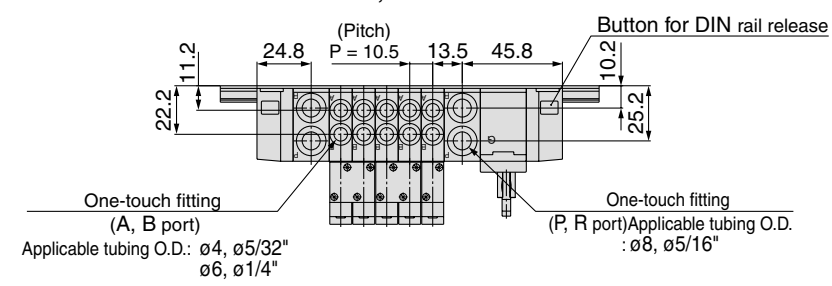


Note) The L1 to L4 dimensions of **SS5Y3-45GD- Stations D-^{C4, N3}_{C6, N7}** are identical to those of **SS5Y3-45GD- Stations U-^{C4, N3}_{C6, N7}**



Stations n	2 stations	3	4	5	6	7	8	9	10 stations
L1	123	135.5	148	148	160.5	173	185.5	198	210.5
L2	112.5	125	137.5	137.5	150	162.5	175	187.5	200
L3	91.5	102	112.5	123	133.5	144	154.5	165	175.5
L4	15.5	16.5	17.5	12.5	13.5	14.5	15.5	16.5	17.5

SS5Y3-45GD- Stations B-^{C4, N3}_{C6, N7}



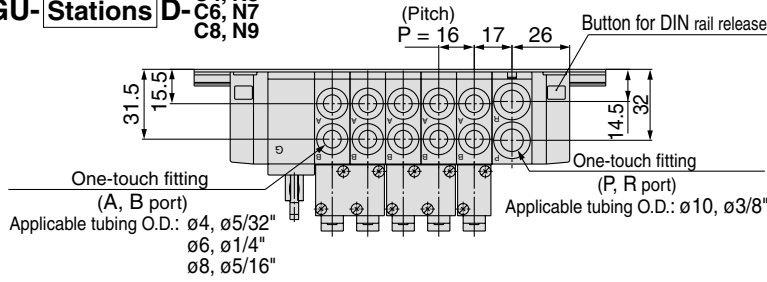
Stations n	2 stations	3	4	5	6	7	8	9	10 stations
L1	135.5	148	160.5	173	185.5	185.5	198	210.5	223
L2	125	137.5	150	162.5	175	175	187.5	200	212.5
L3	108	118.5	129	139.5	150	160.5	171	181.5	192
L4	13.5	14.5	15.5	16.5	17.5	12.5	13.5	14.5	15.5

Stations n	11 stations	12	13	14	15	16 stations
L1	235.5	248	248	260.5	273	285.5
L2	225	237.5	237.5	250	262.5	275
L3	202.5	213	223.5	234	244.5	255
L4	16.5	17.5	12	13	14	15

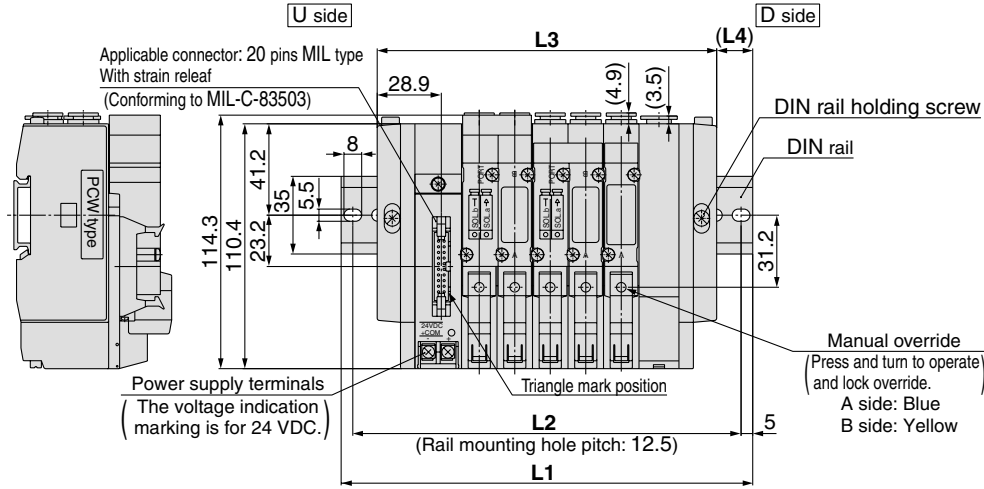
- SJ
- SY
- SV
- SYJ
- SZ
- VP4
- S0700
- VQ
- VQ4
- VQ5
- VQC
- VQZ
- SQ
- VFS
- VFR
- VQ7

SY5000: PC Wiring System Compatible (Flat ribbon cable/Plug-in)

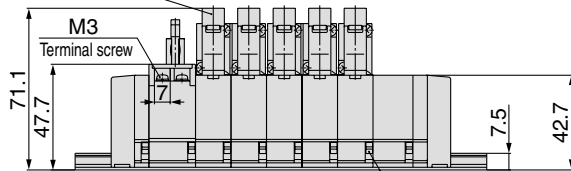
SS5Y5-45GU- Stations D- C4, N3
C6, N7
C8, N9



Note) The L1 to L4 dimensions of **SS5Y5-45GU- Stations U-** C4, N3
C6, N7
C8, N9 are identical to those of **SS5Y5-45GU- Stations D-** C4, N3
C6, N7
C8, N9.

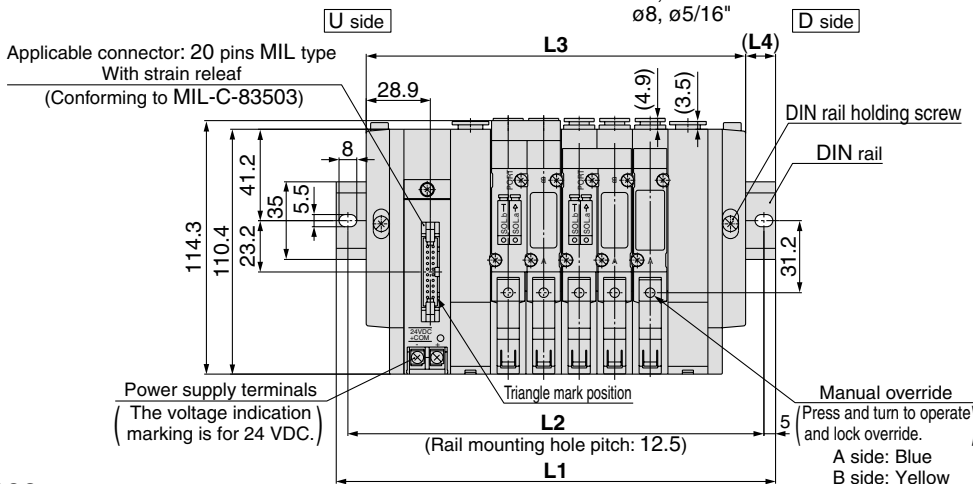
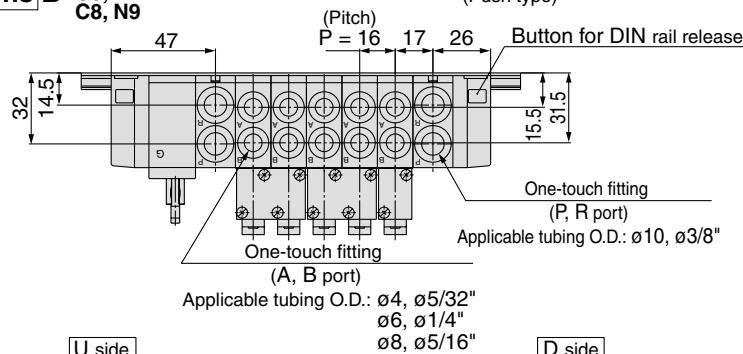


(Light/surge voltage suppressor) (Station n) ----- (Station 1)



Stations n	2 stations	3	4	5	6	7	8	9	10 stations
L1	135.5	148	160.5	185.5	198	210.5	235.5	248	260.5
L2	125	137.5	150	175	187.5	200	225	237.5	250
L3	105	121	137	153	169	185	201	217	233
L4	15	13.5	11.5	16	14.5	12.5	17	15.5	13.5

SS5Y5-45GU- Stations B- C4, N3
C6, N7
C8, N9

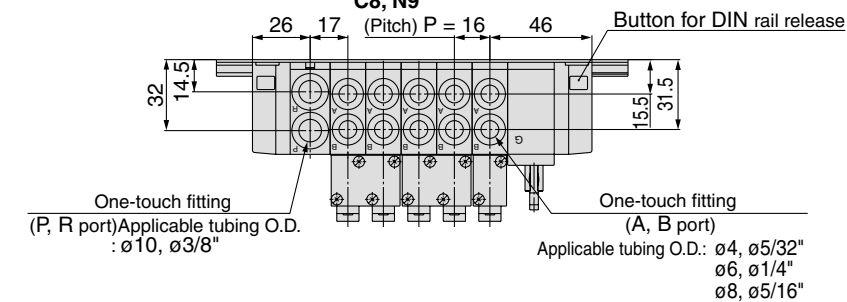


Stations n	2 stations	3	4	5	6	7	8	9	10 stations
L1	148	173	185.5	198	210.5	235.5	248	260.5	285.5
L2	137.5	162.5	175	187.5	200	225	237.5	250	275
L3	123	139	155	171	187	203	219	235	251
L4	12.5	17	15	13.5	11.5	16	14.5	12.5	17

Stations n	11 stations	12	13	14	15	16 stations
L1	298	310.5	323	348	360.5	373
L2	287.5	300	312.5	337.5	350	362.5
L3	267	283	299	315	331	347
L4	15.5	13.5	12	16.5	14.5	13

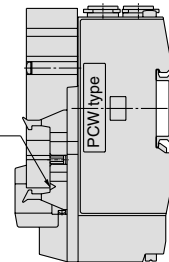
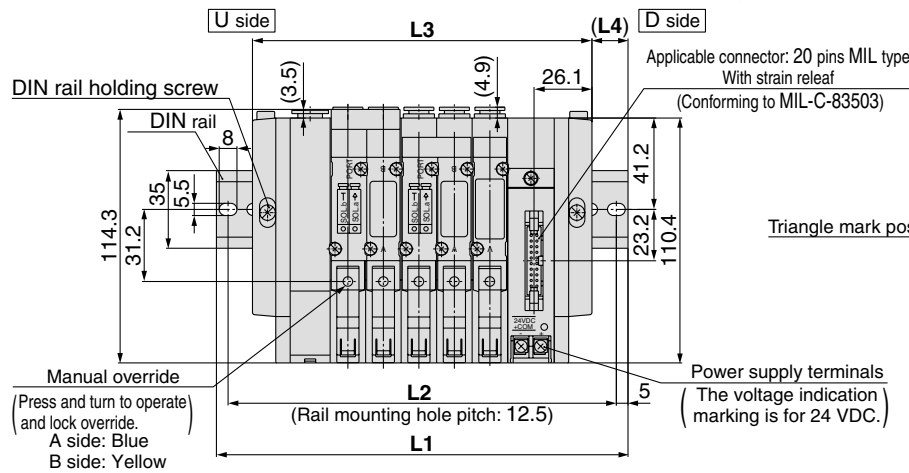
SY5000: PC Wiring System Compatible (Flat ribbon cable/Plug-in)

SS5Y5-45GD- Stations U- C4, N3
C6, N7
C8, N9

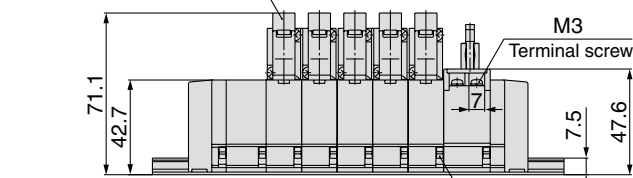


Note) The L1 to L4 dimensions of SS5Y5-45GD-

Stations D-^{C4, N3}
C6, N7
C8, N9 are identical to those of
SS5Y5-45GD- Stations U-^{C4, N3}
C6, N7
C8, N9

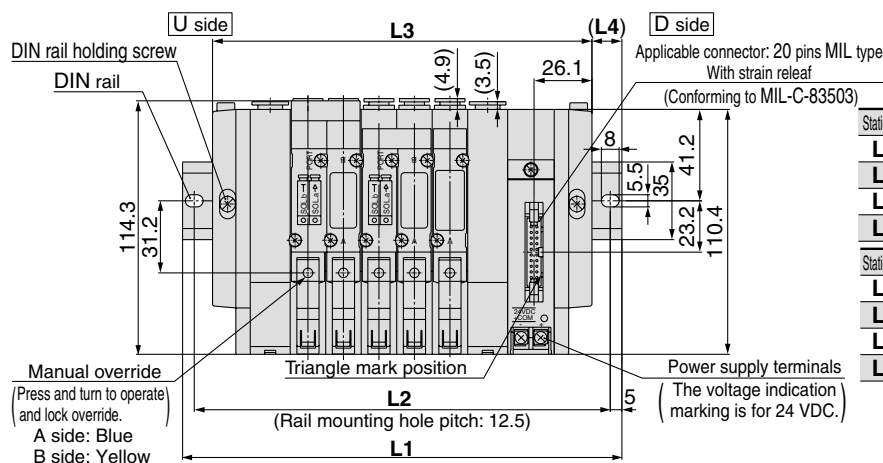
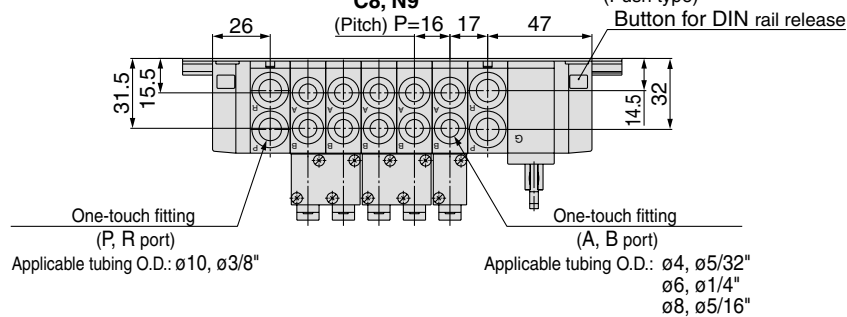


(Station n) ----- (Station 1)
(Light/surge voltage suppressor)



Stations n	2 stations	3	4	5	6	7	8	9	10 stations
L1	135.5	148	160.5	185.5	198	210.5	235.5	248	260.5
L2	125	137.5	150	175	187.5	200	225	237.5	250
L3	105	121	137	153	169	185	201	217	233
L4	15	13.5	11.5	16	14.5	12.5	17	15.5	13.5

SS5Y5-45GD- Stations B- C4, N3
C6, N7
C8, N9



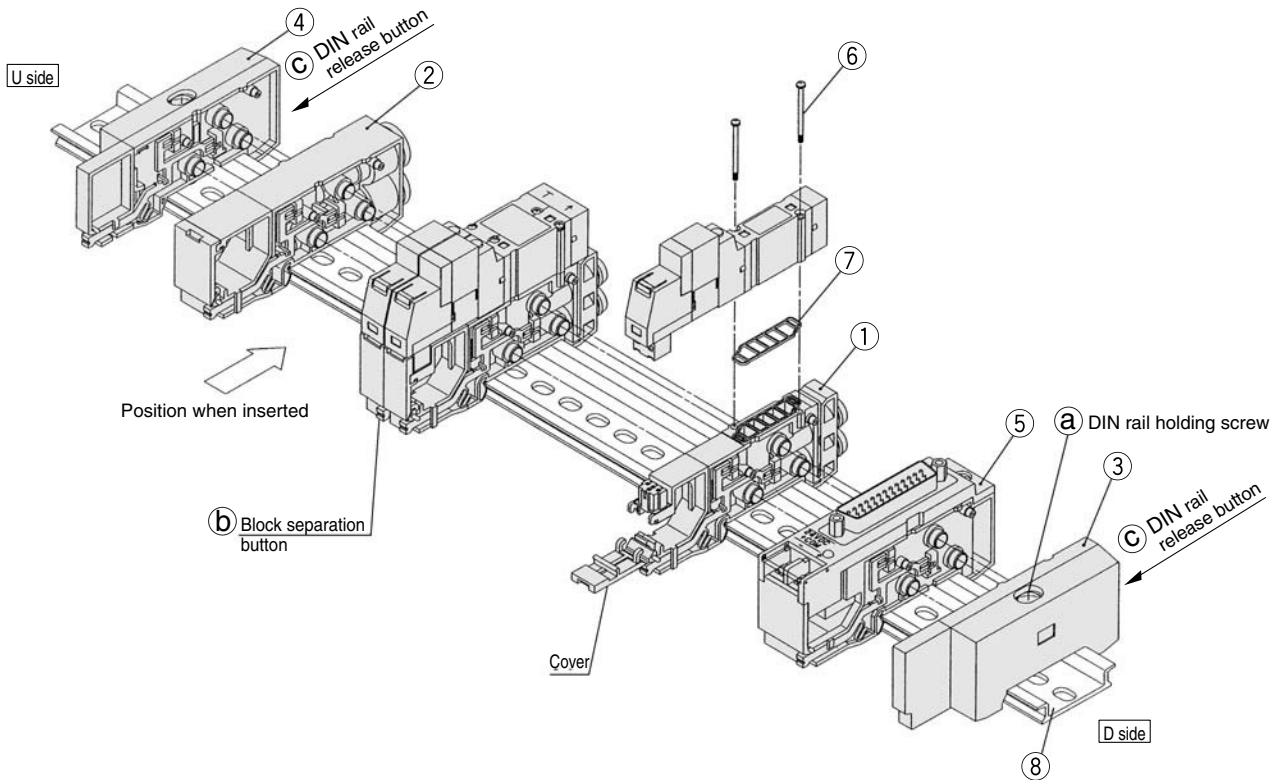
Stations n	2 stations	3	4	5	6	7	8	9	10 stations
L1	148	173	185.5	198	210.5	235.5	248	260.5	285.5
L2	137.5	162.5	175	187.5	200	225	237.5	250	275
L3	123	139	155	171	187	203	219	235	251
L4	12.5	17	15	13.5	11.5	16	14.5	12.5	17

Stations n	11 stations	12	13	14	15	16 stations
L1	298	310.5	323	348	360.5	373
L2	287.5	300	312.5	337.5	350	362.5
L3	267	283	299	315	331	347
L4	15.5	13.5	12	16.5	14.5	13

- SJ
- SY
- SV
- SYJ
- SZ
- VP4
- S0700
- VQ
- VQ4
- VQ5
- VQC
- VQZ
- SQ
- VFS
- VFR
- VQ7

DIN Rail Manifold Exploded View

Type 45F (D-sub Connector) Manifold



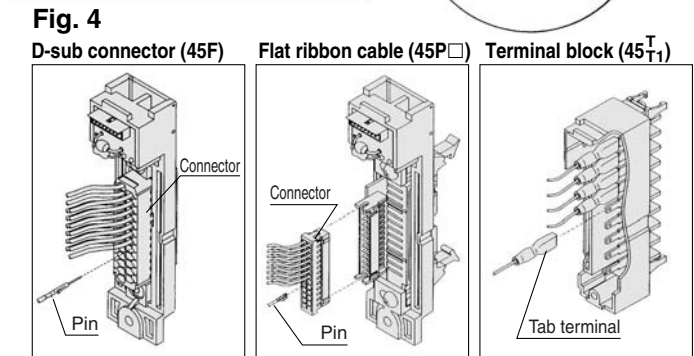
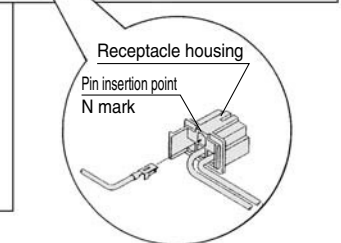
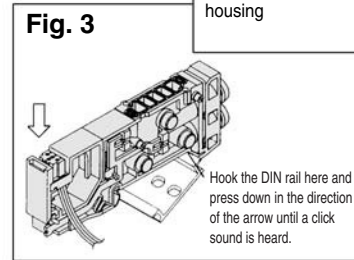
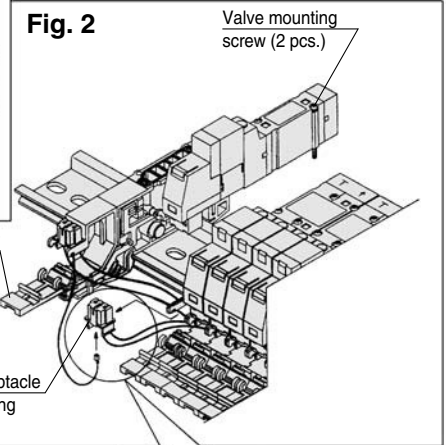
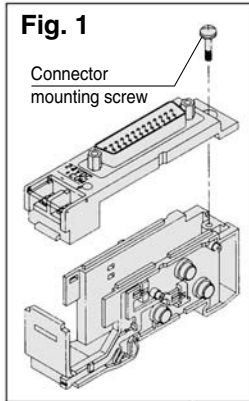
No.	Description	Part no.		Note
		SY3000	SY5000	
1	Manifold block assembly	Manifold block assembly part number differs according to an attached lead wire assembly based on the connector spec. Select an appropriate part number from the table of manifold block assembly part number shown below. (Gasket 7 is supplied as an accessory.)		
2	SUP/EXH block assembly	(Metric size) SX3000-51-2A (Inch size) SX3000-51-16A	(Metric size) SX3000-51-2A (Inch size) SX5000-51-16A	Metric size SY3000: P, R port with one-touch fitting for $\phi 8$ SY5000: P, R port with one-touch fitting for $\phi 10$ Inch size With one-touch fitting for $\phi 5/16$ " With one-touch fitting for $\phi 3/8$ "
3	End block assembly	SX3000-52-2A(-Q)	SX5000-52-2A(-Q)	For D side
4	End block assembly	SX3000-53-2A(-Q)	SX5000-53-2A(-Q)	For U side
5-1	Connector block assembly (for D-sub connector)	SX3000-64- ^{1A} _{1NA}	SX5000-64- ^{1A} _{1NA}	-1A: +COM -1NA: -COM
5-2	Connector block assembly (for 26 pins flat cable)	SX3000-64- ^{2A} _{2NA} -26	SX5000-64- ^{2A} _{2NA} -26	-2A: +COM -2NA: -COM Note) For 24 VDC
5-3	Connector block assembly (for 20 pins flat cable)	SX3000-64- ^{2A} _{2NA} -20	SX5000-64- ^{2A} _{2NA} -20	
5-4	Connector block assembly (for 10 pins flat cable)	SX3000-64- ^{2A} _{2NA} -10	SX5000-64- ^{2A} _{2NA} -10	
5-5	Connector block assembly (for 2 to 8 stations (T, T1) terminal block)	SX3000-64-3A	SX5000-64-3A	In common between +COM and -COM.
5-6	Connector block assembly (for 9 to 17 stations (T1) terminal block)	SX3000-64-8A	SX5000-64-8A	
6	Round head combination screw	SY3000-23-4	M3 x 26, Matt nickel plated	
7	Gasket	SX3000-57-4	SX5000-57-6	
8	DIN rail	VZ1000-11-1-I□		Refer to page 276.

Note 1) The numbers 5-1 to 4 are for 24 VDC. For 12 VDC, suffix "-12V" to the end of parts number. (Example) SX3000-64-1A-12 V
 Note 2) Two manifold block assemblies are necessary for the double, 3 position (Dual body type).

Style of manifold	Manifold block assembly part no.	Note
For 45(N)F (D-sub connector)	SX ₅ 000-50-3A-□□(-Q)	□□: AB port SY3000 (metric size) (inch size) C4: With one-touch fitting for $\phi 4$ C6: With one-touch fitting for $\phi 6$ N3: With one-touch fitting for $\phi 5/32$ " N7: With one-touch fitting for $\phi 1/4$ "
For 45(N) ^{PS} _{PH} (Flat ribbon cable)	SX ₅ 000-50-5A-□□(-Q)	
For 45G PC Wiring System compatible	SX ₅ 000-50-5A-□□(-Q)	A, B port SY5000 (metric size) (inch size) C4: With one-touch fitting for $\phi 4$ C6: With one-touch fitting for $\phi 6$ C8: With one-touch fitting for $\phi 8$ N3: With one-touch fitting for $\phi 5/32$ " N7: With one-touch fitting for $\phi 1/4$ " N9: With one-touch fitting for $\phi 5/16$ "
For 45 ^T _{T1} (Terminal block)	SX ₅ 000-50-7A-□□(-Q)	

How to Increase Manifold Bases

- 1** Loosen DIN rail holding screw (a) fixing the manifold base until it begins to turn idly. (While pressing DIN rail releasing buttons (c), at two locations, separate the manifold base from the DIN rail.)
- 2** Additional bases are to be added to the U side. Press splitting button (b) of the manifold block assembly on the U side until button (b) locks, and then separate the block assemblies.
- 3** Separate the connector block assembly in the same manner as 2, and remove the connector mounting screw shown in Fig. 1.
- 4** Loosen the valve mounting screw on the U side, remove the valve, and take out the receptacle housing. (Refer to Fig. 2.)
- 5** Insert the common wire (red) of the manifold block assembly to be added into the pin insertion section (N mark) of the receptacle housing that was taken out in 4, mount it on the manifold block, and mount the removed valve.
- 6** As shown in Fig. 3, mount the additional manifold block assembly on the DIN rail on the U side. Refer to the circuit diagram, and insert the lead wire (black) as shown in Fig. 4.
- 7** Press the blocks against each other until a click sound is produced, place the lead wire in the manifold block, and close the lid without pinching the lead wire.
- 8** While lightly holding the blocks together so that there are no gaps between them, secure them to the DIN rail by tightening the DIN rail holding screws (a). (Tightening torque: 1.4 N·m)



Note) After inserting pins, lightly pull lead wire to check that pins are locked.

Note) Insert pins after removing the connector from the main unit. After inserting pins, lightly pull lead wires to check that the pins are locked.

Note) Insert tab terminals completely.

- ⚠ Caution**
1. Depending on the connector, there is a limit to the number of solenoids that can be used. Manifold bases that can be added cannot exceed the number of usable solenoids.
 2. The manifold block assembly mounting position for additional manifold bases is always on the U side, because wires are connected to respective connectors sequentially from the D side.
 3. When DIN rail holding screw (a) for the end block is not sufficiently tightened during reassembly, air leakage may result. Before supplying air, check that there is no gap between blocks and that the manifold block is firmly fixed to the DIN rail in order to ensure air supply without leakage.

- SJ
- SY
- SV
- SYJ
- SZ
- VP4
- S0700
- VQ
- VQ4
- VQ5
- VQC
- VQZ
- SQ
- VFS
- VFR
- VQ7

How to Change Fitting Assembly

Type 45 manifold permits change in the A and B port sizes by changing the manifold block fitting assembly. After removing the valve, remove the clip with a screwdriver, etc. For mounting a new fitting assembly, insert it and then insert a clip until it will not come out of the manifold block.

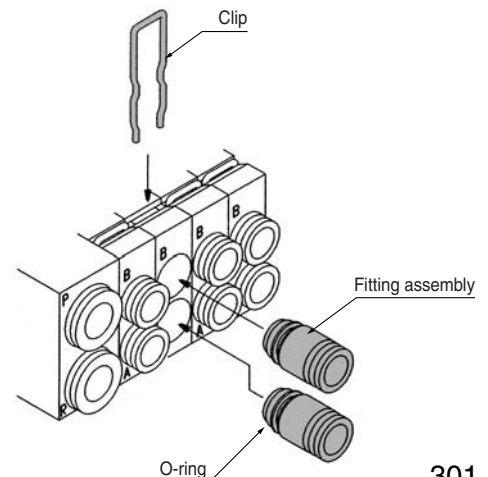
Fitting Assembly Part No.

Metric size

SY3000	One-touch fitting for ø4	VVQ1000-50A-C4
	One-touch fitting for ø6	VVQ1000-50A-C6
SY5000	One-touch fitting for ø4	VVQ1000-51A-C4
	One-touch fitting for ø6	VVQ1000-51A-C6
	One-touch fitting for ø8	VVQ1000-51A-C8

Inch size

SY3000	One-touch fitting for ø ⁵ / ₃₂ "	VVQ1000-50A-N3
	One-touch fitting for ø ¹ / ₄ "	VVQ1000-50A-N7
SY5000	One-touch fitting for ø ⁵ / ₃₂ "	VVQ1000-51A-N3
	One-touch fitting for ø ¹ / ₄ "	VVQ1000-51A-N7
	One-touch fitting for ø ⁵ / ₁₆ "	VVQ1000-51A-N9



- Note 1) P and R ports cannot be changed.
Note 2) Use caution that O-rings must be free from scratches and dust. Otherwise, air leakage may result.

SY3000/5000 Base Mounted Manifold Stacking Type/DIN Rail Mounted EX122 Integrated Type (for Output) Serial Transmission System



How to Order Manifold

SS5Y 3-45S V-05 U-C6

Series

3	SY3000
5	SY5000

SI unit specifications

Symbol	Protocol type
0	Without SI unit
F1	NKE Corp.: Uni-wire System
H	NKE Corp.: Uni-wire H System
J1	SUNX Corp.: S-LINK (16 outputs)
J2	SUNX Corp.: S-LINK (8 outputs)
Q	DeviceNet
R1	OMRON Corp.: CompoBus/S (16 outputs) compatible
R2	OMRON Corp.: CompoBus/S (8 outputs) compatible
V	CC-LINK

Even though when it is not equipped with SI unit, DIN rail length is long enough for future expectancy of mounting SI unit.

Valve stations

Symbol	Stations	Note
02	2 stations	Single wiring spec. (Applicable up to 16 solenoid valves.)
⋮	⋮	
16	16 stations	

This also includes the number of blanking plate assemblies.
Two stations are necessary for the double, 3 position (Dual body type).

SUP/EXH block assembly mounting position

Symbol	Mounting position	Stations
U	U side	2 to 10 stations
D	D side	2 to 10 stations
B	(Both sides)	2 to 16 stations
M	Special specifications	

For special specifications, indicate separately by the manifold specification sheet.

A, B port size

One-touch fitting (Metric size)

Symbol	Port size	Applicable series
C4	One-touch fitting for ø4	SY3000
C6	One-touch fitting for ø6	
M	Mixed	
C4	One-touch fitting for ø4	SY5000
C6	One-touch fitting for ø6	
C8	One-touch fitting for ø8	
M	Mixed	

One-touch fitting (Inch size)

Symbol	Port size	Applicable series
N3	One-touch fitting for ø $\frac{5}{32}$ "	SY3000
N7	One-touch fitting for ø $\frac{1}{4}$ "	
M	Mixed	
N3	One-touch fitting for ø $\frac{9}{32}$ "	SY5000
N7	One-touch fitting for ø $\frac{1}{4}$ "	
N9	One-touch fitting for ø $\frac{5}{16}$ "	
M	Mixed	

In the case of mixed specifications, indicate separately on the manifold specification sheet.

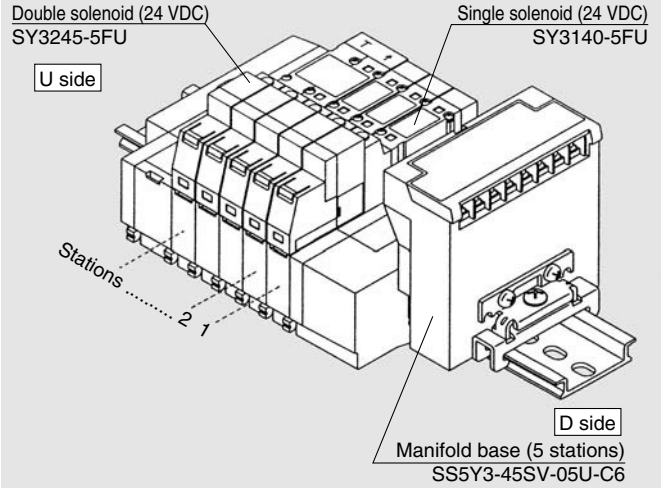
SI Unit Part No.

Symbol	Protocol type	SI unit No.	CE-compliant	Symbol	Protocol type	SI unit No.	CE-compliant
F1	NKE Corp.: Uni-wire System	EX122-SUW1	—	Q	DeviceNet	EX122-SDN1	○
H	NKE Corp.: Uni-wire H System	EX122-SUH1	—	R1	OMRON Corp.: CompoBus/S (16 outputs) compatible	EX122-SCS1	○
J1	SUNX Corp.: S-LINK (16 outputs)	EX122-SSL1	—	R2	OMRON Corp.: CompoBus/S (8 outputs) compatible	EX122-SCS2	○
J2	SUNX Corp.: S-LINK (8 outputs)	EX122-SSL2	—	V	CC-LINK	EX122-SMJ1	○

Refer to pages 1650 to 1652 for the details of the EX122 integrated type (for output) serial transmission system.

How to Order Manifold Assembly (Example)

Example



SS5Y3-45SV-05U-C6 1 set (45S with SI unit 5-station manifold base part number)

* SY3140-5FU 3 sets (Single solenoid part no.)
* SY3245-5FU 1 set (Double solenoid part no.)

The asterisk denotes the symbol for assembly. Prefix it to the part nos. of the solenoid valve, etc.

* The valve arrangement is numbered as the 1st. station from D side.
* When ordering double solenoid valves/3 position (Dual body type), please keep in mind that they require two manifold stations.
* SI unit is available only for the D-side mounting type.

How to Order Valve

2 position single **SY 3 1 4 0 - 5 FU**
Double, 3 position **SY 3 2 4 5 - 5 FU**

Series

3	SY3000
5	SY5000

Type of actuation

2	2 position double
3	3 position closed center
4	3 position exhaust center
5	3 position pressure center

Dual body type (Double, 3 position)

Rated voltage

5	24 VDC
---	--------

Manual override

Nil	Non-locking push type
D	Push-turn locking slotted type
E	Push-turn locking lever type

Made to Order

Nil	—
X90	Main valve fluoro rubber (Refer to page 332.)

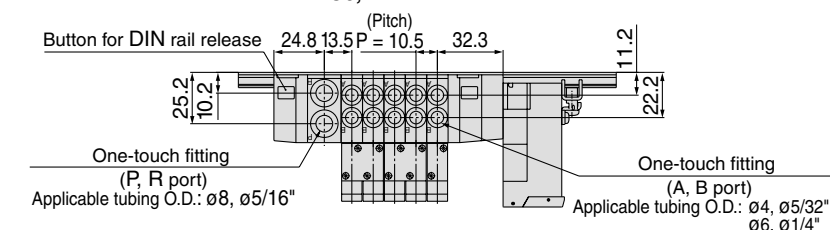
CE-compliant

Nil	—
Q	CE-compliant

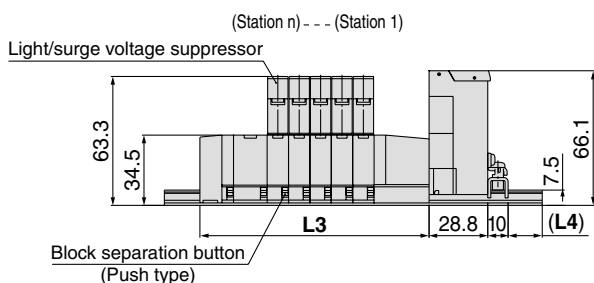
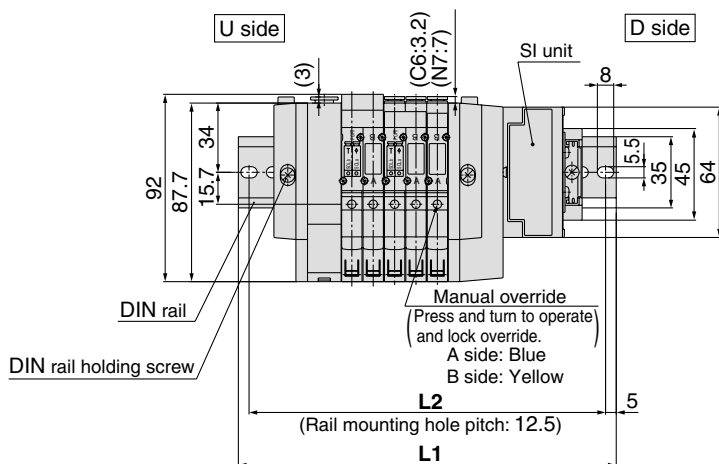
When ordering plug-in type valve as a single unit, gaskets are not included. Order them separately, if necessary. (Refer to page 300 for details.)

Series SY3000: EX122 Integrated Type (for Output) Serial Transmission System/Plug-in

SS5Y3-45S - Stations **U-C₄, N₃**
C₆, N₇

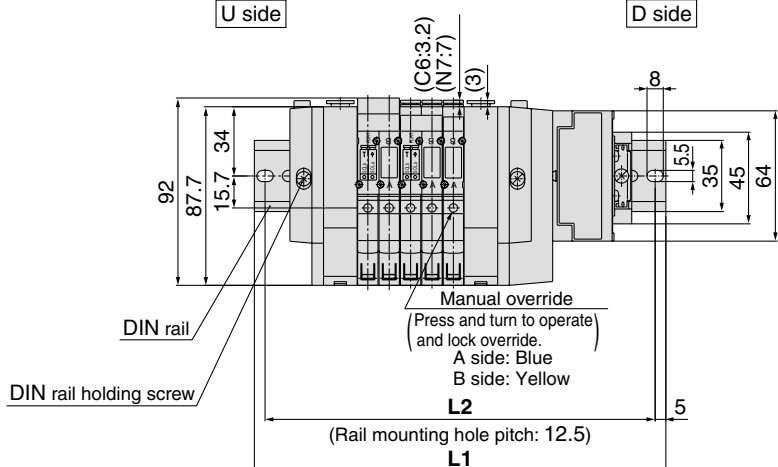
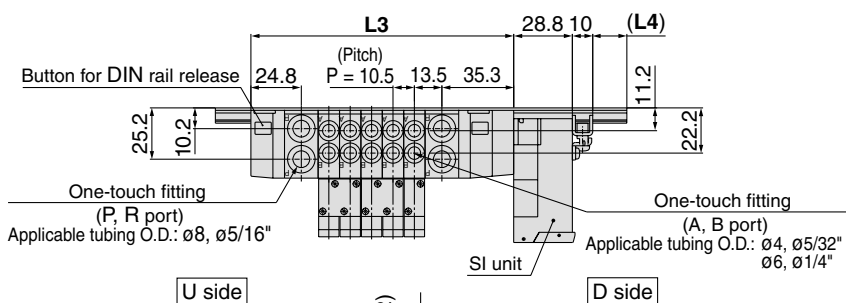


Note) The L1 to L4 dimensions of **SS5Y3-45S** - Stations **U-C₄, N₃** are identical to those of **SS5Y3-45S** - Stations **D-C₄, N₃**, **C₆, N₇**.



Stations n	2 stations	3	4	5	6	7	8	9	10 stations
L1	148	160.5	173	185.5	185.5	198	210.5	223	235.5
L2	137.5	150	162.5	175	175	187.5	200	212.5	225
L3	81	91.5	102	112.5	123	133.5	144	154.5	165
L4	14.5	15.5	16.5	17.5	12	13	14	15	16

SS5Y3-45S - Stations **B-C₄, N₃**
C₆, N₇



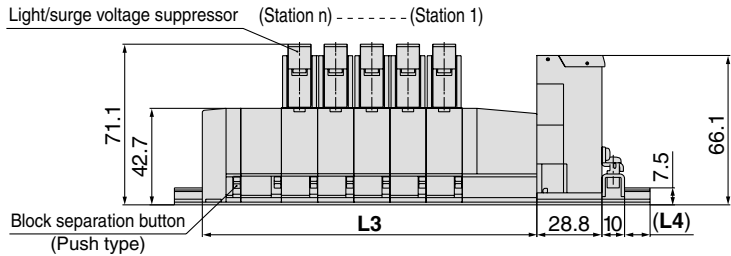
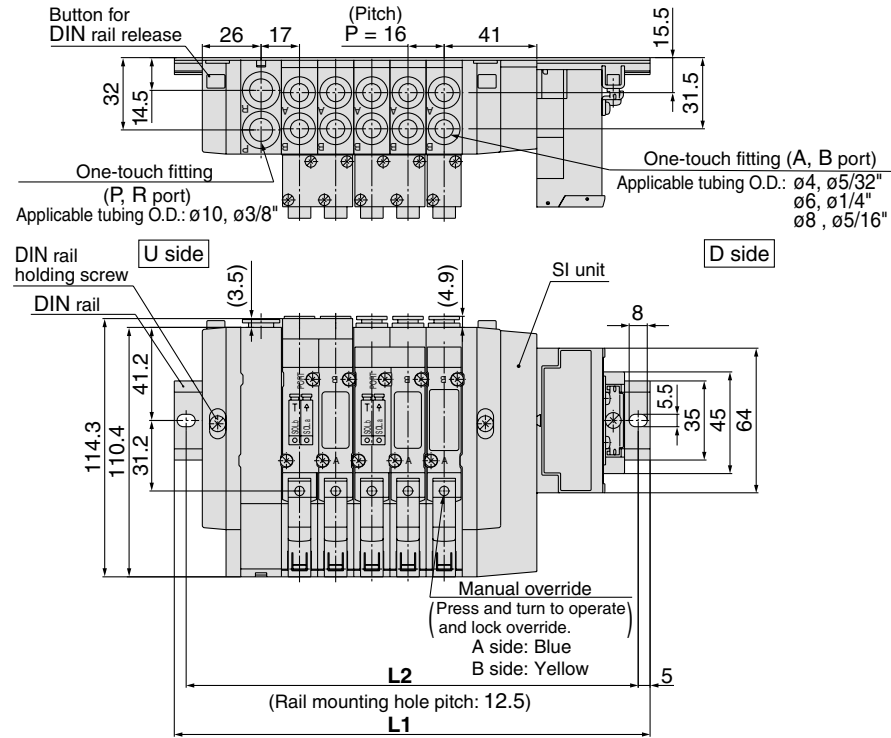
Stations n	2 stations	3	4	5	6	7	8	9	10 stations
L1	160.5	173	185.5	198	210.5	223	223	235.5	248
L2	150	162.5	175	187.5	200	212.5	212.5	225	237.5
L3	97.5	108	118.5	129	139.5	150	160.5	171	181.5
L4	12.5	13.5	14.5	15.5	16.5	17.5	12	13	14

Stations n	11 stations	12	13	14	15	16 stations
L1	260.5	273	285.5	285.5	298	310.5
L2	250	262.5	275	275	287.5	300
L3	192	202.5	213	223.5	234	244.5
L4	15	16	17	12	13	14

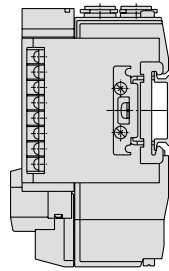
- SJ
- SY
- SV
- SYJ
- SZ
- VP4
- S0700
- VQ
- VQ4
- VQ5
- VQC
- VQZ
- SQ
- VFS
- VFR
- VQ7

Series SY5000: EX122 Integrated Type (for Output) Serial Transmission System/Plug-in

SS5Y5-45S - Stations **U**-^{C4, N3}_{C6, N7}^{C8, N9}

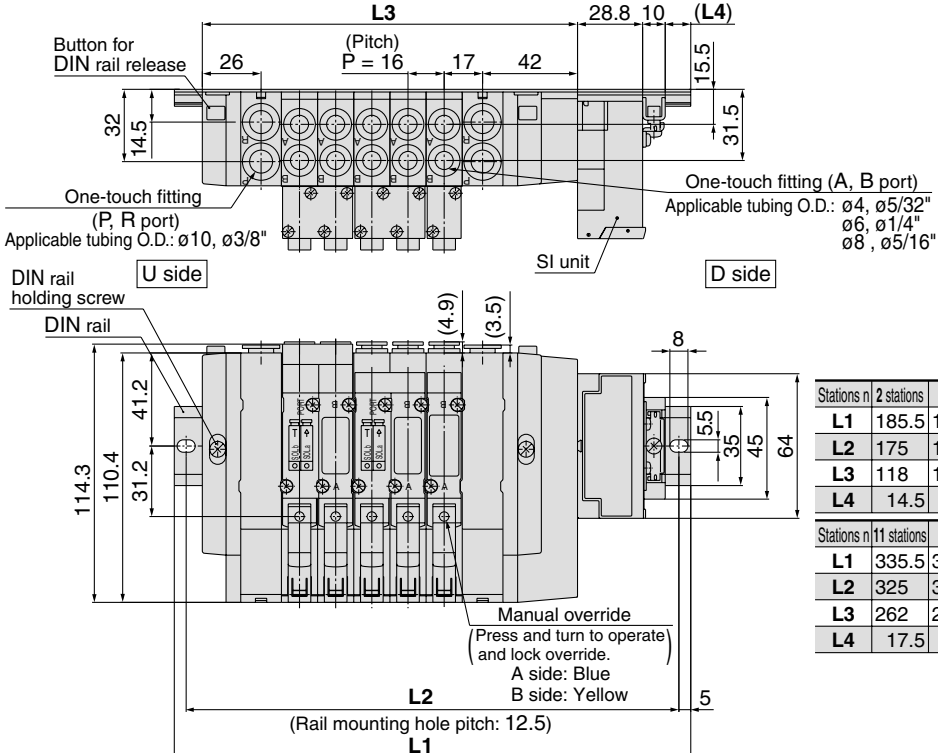


Note) The L1 to L4 dimensions of **SS5Y5-45S** - Stations **U**-^{C4, N3}_{C6, N7}^{C8, N9} are identical to those of **SS5Y5-45S** - Stations **D**-^{C4, N3}_{C6, N7}^{C8, N9}.



Stations n	2 stations	3	4	5	6	7	8	9	10 stations
L1	173	185.5	198	210.5	235.5	248	260.5	285.5	298
L2	162.5	175	187.5	200	225	237.5	250	275	287.5
L3	100	116	132	148	164	180	196	212	228
L4	17.5	15.5	14	12	16.5	15	13	17.5	16

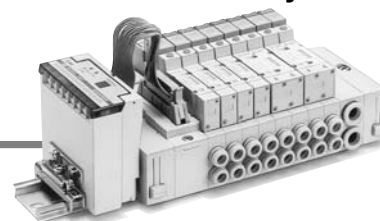
SS5Y5-45S - Stations **B**-^{C4, N3}_{C6, N7}^{C8, N9}



Stations n	2 stations	3	4	5	6	7	8	9	10 stations
L1	185.5	198	223	235.5	248	260.5	285.5	298	310.5
L2	175	187.5	212.5	225	237.5	250	275	287.5	300
L3	118	134	150	166	182	198	214	230	246
L4	14.5	13	17.5	15.5	14	12	16.5	15	13

Stations n	11 stations	12	13	14	15	16 stations
L1	335.5	348	360.5	373	398	410.5
L2	325	337.5	350	362.5	387.5	400
L3	262	278	294	310	326	342
L4	17.5	16	14	12.5	17	15

SY3000/5000 Base Mounted Manifold Stacking Type/DIN Rail Mounted EX 121 Separate Type (for Output) Serial Transmission System



How to Order Manifold

SS5Y 3 - 45S1 V D - 05 U - C4 - [] - []

Series

3	SY3000
5	SY5000

SI unit specifications

Symbol	Protocol type
0	Without SI unit
F1	NKE Corp.: Uni-wire System
H	NKE Corp.: Uni-wire H System
J1	SUNX Corp.: S-LINK (16 outputs)
J2	SUNX Corp.: S-LINK (8 outputs)
Q	DeviceNet
R1	OMRON Corp.: CompoBus/S (16 outputs) compatible
R2	OMRON Corp.: CompoBus/S (8 outputs) compatible
V	CC-LINK

• Even though when it is not equipped with SI unit, DIN rail length is long enough for future expectancy of mounting SI unit. When a shorter rail is required (same as type 45□), suffix "0" in the optional blank at the end of part number.

SI unit mounting position

Symbol	Mounting position
U	U side
D	D side

CE-compliant

Nil	—
Q	CE-compliant

* Refer to the SI unit part no. for the SI unit compatible with CE.

Option

When a longer DIN rail is desired than the specified stations, specify the station number to be required. (Max. 20 stations)

A, B port size

One-touch fitting (Metric size)

Symbol	Port size	Applicable series
C4	One-touch fitting for ø4	SY3000
C6	One-touch fitting for ø6	
M	Mixed	SY5000
C4	One-touch fitting for ø4	
C6	One-touch fitting for ø6	
C8	One-touch fitting for ø8	
M	Mixed	

One-touch fitting (Inch size)

Symbol	Port size	Applicable series
N3	One-touch fitting for ø 5/32"	SY3000
N7	One-touch fitting for ø 1/4"	
M	Mixed	SY5000
N3	One-touch fitting for ø 5/32"	
N7	One-touch fitting for ø 1/4"	
N9	One-touch fitting for ø 5/16"	
M	Mixed	

* In the case of mixed specifications, indicate separately on the manifold specification sheet.

SUP/EXH block assembly mounting position

Symbol	Mounting position	Stations
U	U side	2 to 10 stations
D	D side	2 to 10 stations
B	Both sides	2 to 16 stations
M	Special specifications	

* For special specifications, indicate separately by the manifold specification sheet.

Valve stations

Symbol	Stations	Note
02	2 stations	Single wiring spec. (Applicable up to 16 solenoid valves.)
⋮	⋮	
16	16 stations	

* This also includes the number of blanking plate assemblies.
* Two stations are necessary for the double, 3 position (Dual body type).

SI Unit Part No.

Symbol	Protocol type	SI unit No.	CE-compliant	Symbol	Protocol type	SI unit No.	CE-compliant
F1	NKE Corp.: Uni-wire System	EX121-SUW1	—	Q	DeviceNet	EX121-SDN1	○
H	NKE Corp.: Uni-wire H System	EX121-SUH1	—	R1	OMRON Corp.: CompoBus/S (16 outputs) compatible	EX121-SCS1	○
J1	SUNX Corp.: S-LINK (16 outputs)	EX121-SSL1	—	R2	OMRON Corp.: CompoBus/S (8 outputs) compatible	EX121-SCS2	○
J2	SUNX Corp.: S-LINK (8 outputs)	EX121-SSL2	—	V	CC-LINK	EX121-SMJ1	○

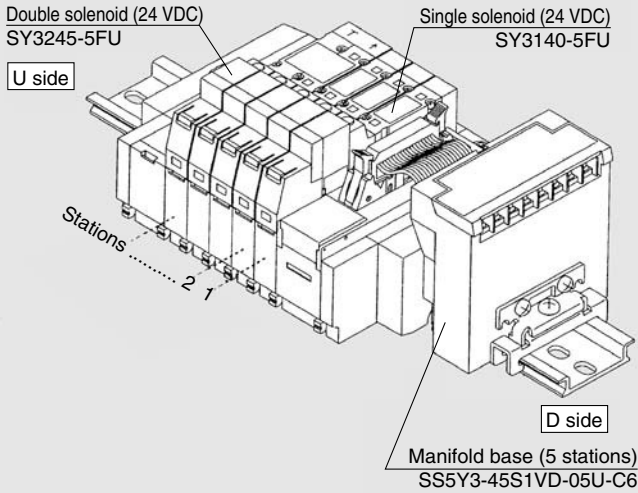
• For external pilot specifications and built-in silencer, refer to pages 324 to 328.

Refer to pages 1650 to 1652 for the details of the EX121 separate type (for output) serial transmission system.

- SJ
- SY
- SV
- SYJ
- SZ
- VP4
- S0700
- VQ
- VQ4
- VQ5
- VQC
- VQZ
- SQ
- VFS
- VFR
- VQ7

How to Order Valve Manifold Assembly (Example)

Example



SS5Y3-45S1VD-05U-C6 1 set... (Type 45S1 with serial unit
5-station manifold base part no.)
* SY3140-5FU 3 sets (Single solenoid part no.)
* SY3245-5FU 1 set (Double solenoid part no.)

→The asterisk denotes the symbol for assembly.
Prefix it to the part nos. of the solenoid valve, etc.

- The valve arrangement is numbered as the 1st. station from D side regardless of the mounting position of SI unit.
- When ordering double solenoid valves/3 position (Dual body type), please keep in mind that they require two manifold stations.

How to Order Valve

2 position single **SY** **3** **1** **4** **0** — **5** **FU**

Double, 3 position **SY** **3** **2** **4** **5** — **5** **FU**

Series

3	SY3000
5	SY5000

Type of actuation

2	2 position double
3	3 position closed center
4	3 position exhaust center
5	3 position pressure center

Dual body type (Double, 3 position)

Rated voltage

5	24 VDC
---	--------

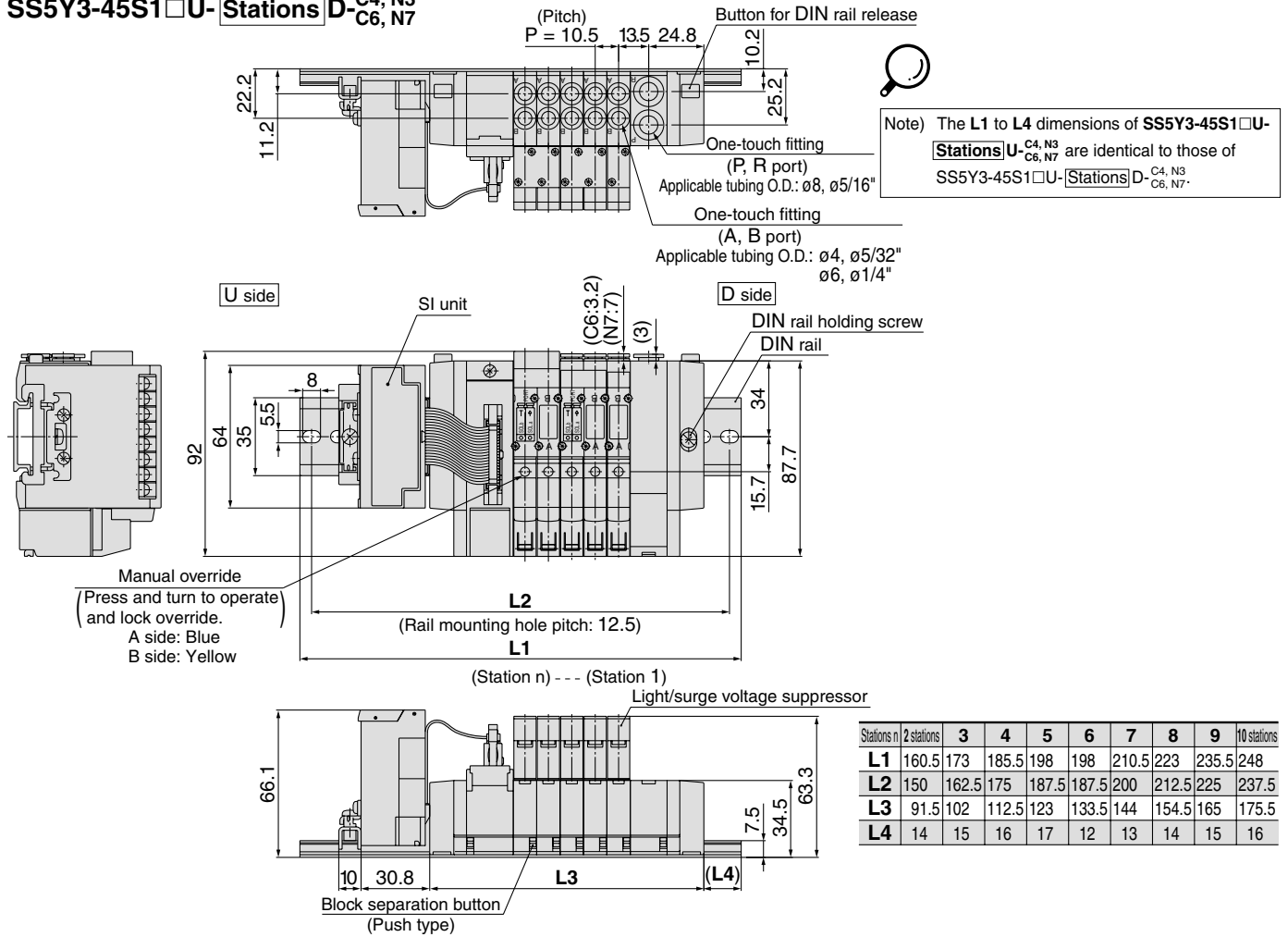
Manual override

Nil	Non-locking push type
D	Push-turn locking slotted type
E	Push-turn locking lever type

When ordering plug-in type valve as a single unit, gaskets are not included. Order them separately, if necessary. (Refer to page 300 for details.)

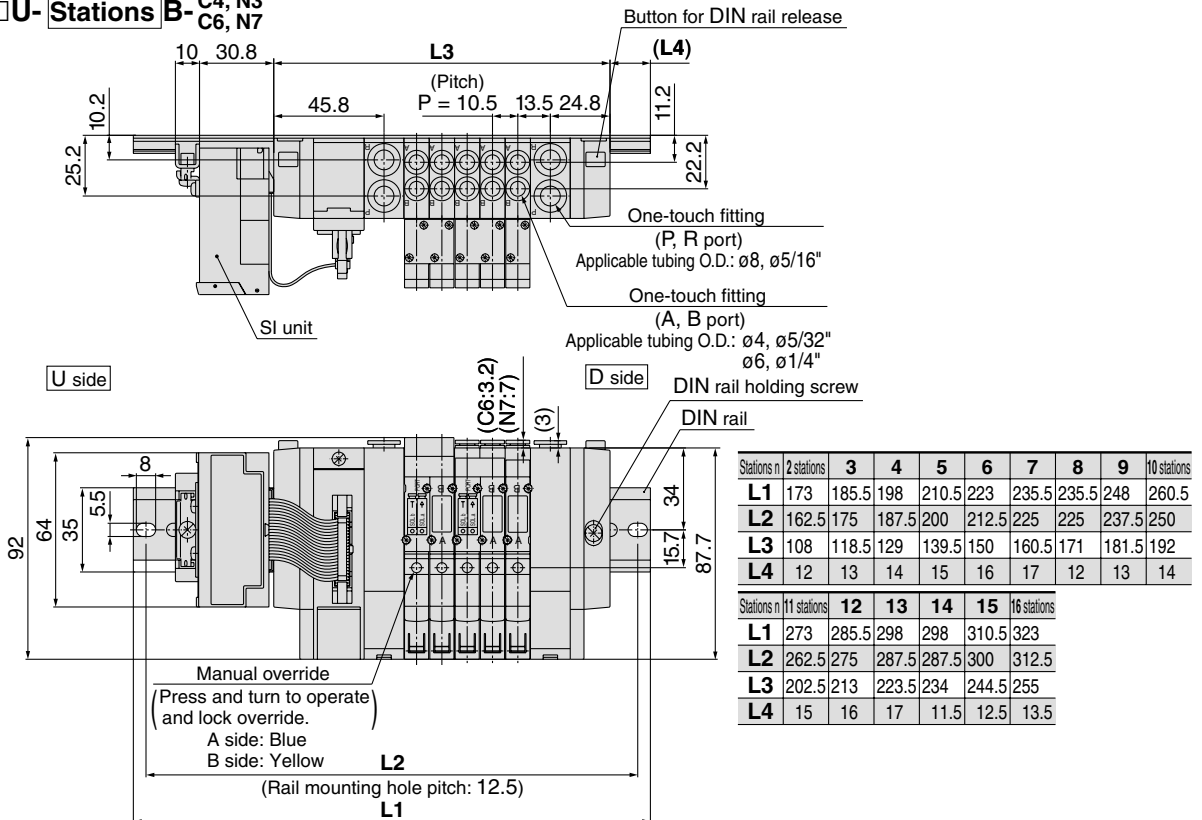
SY3000: EX121 Separate Type (for Output) Serial Transmission System/Plug-in

SS5Y3-45S1 □ U - Stations D - C4, N3
C6, N7



Stations n	2 stations	3	4	5	6	7	8	9	10 stations
L1	160.5	173	185.5	198	198	210.5	223	235.5	248
L2	150	162.5	175	187.5	187.5	200	212.5	225	237.5
L3	91.5	102	112.5	123	133.5	144	154.5	165	175.5
L4	14	15	16	17	12	13	14	15	16

SS5Y3-45S1 □ U - Stations B - C4, N3
C6, N7



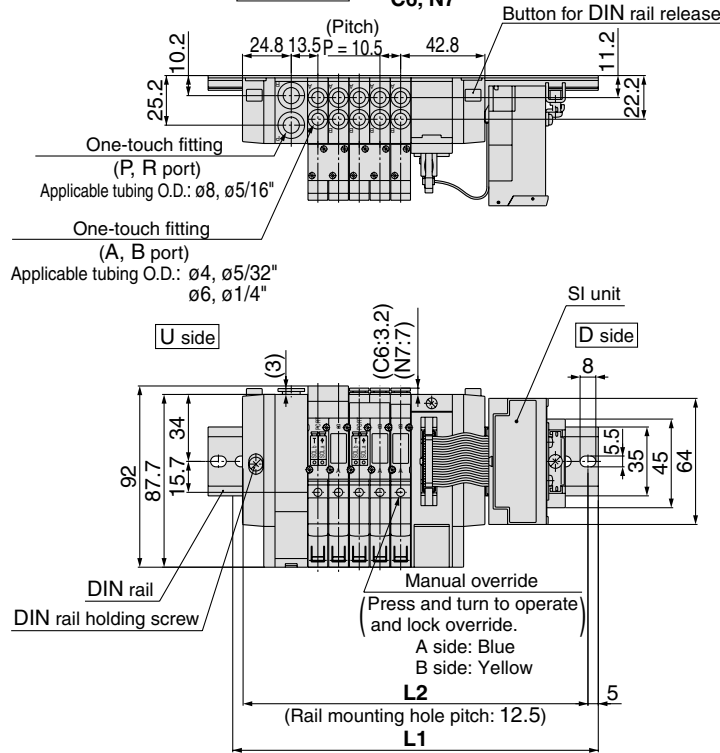
Stations n	2 stations	3	4	5	6	7	8	9	10 stations
L1	173	185.5	198	210.5	223	235.5	235.5	248	260.5
L2	162.5	175	187.5	200	212.5	225	225	237.5	250
L3	108	118.5	129	139.5	150	160.5	171	181.5	192
L4	12	13	14	15	16	17	12	13	14

Stations n	11 stations	12	13	14	15	16 stations
L1	273	285.5	298	298	310.5	323
L2	262.5	275	287.5	287.5	300	312.5
L3	202.5	213	223.5	234	244.5	255
L4	15	16	17	11.5	12.5	13.5

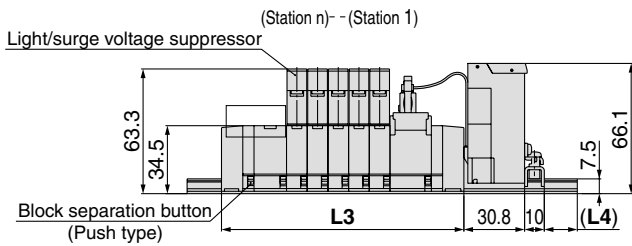
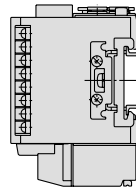
- SJ
- SY
- SV
- SYJ
- SZ
- VP4
- S0700
- VQ
- VQ4
- VQ5
- VQC
- VQZ
- SQ
- VFS
- VFR
- VQ7

SY3000: EX121 Separate Type (for Output) Serial Transmission System/Plug-in

**SS5Y3-45S1 □D- Stations U- C4, N3
C6, N7**

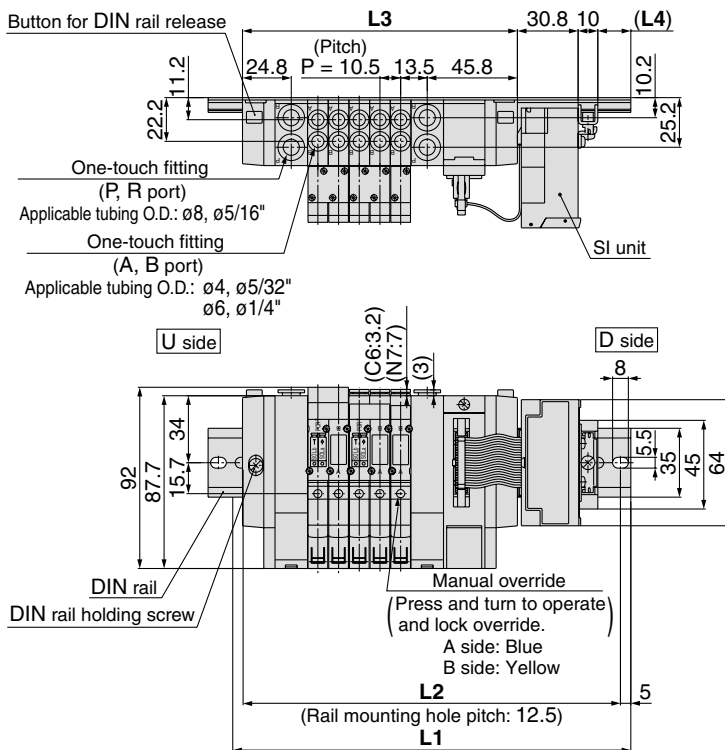


Note) The L1 to L4 dimensions of **SS5Y3-45S1 □D- Stations D- C4, N3 C6, N7** are identical to those of **SS5Y3-45S1 □D- Stations U- C4, N3 C6, N7**.



Stations n	2 stations	3	4	5	6	7	8	9	10 stations
L1	160.5	173	185.5	198	198	210.5	223	235.5	248
L2	150	162.5	175	187.5	187.5	200	212.5	225	237.5
L3	91.5	102	112.5	123	133.5	144	154.5	165	175.5
L4	14	15	16	17	12	13	14	15	16

**SS5Y3-45S1 □D- Stations B- C4, N3
C6, N7**

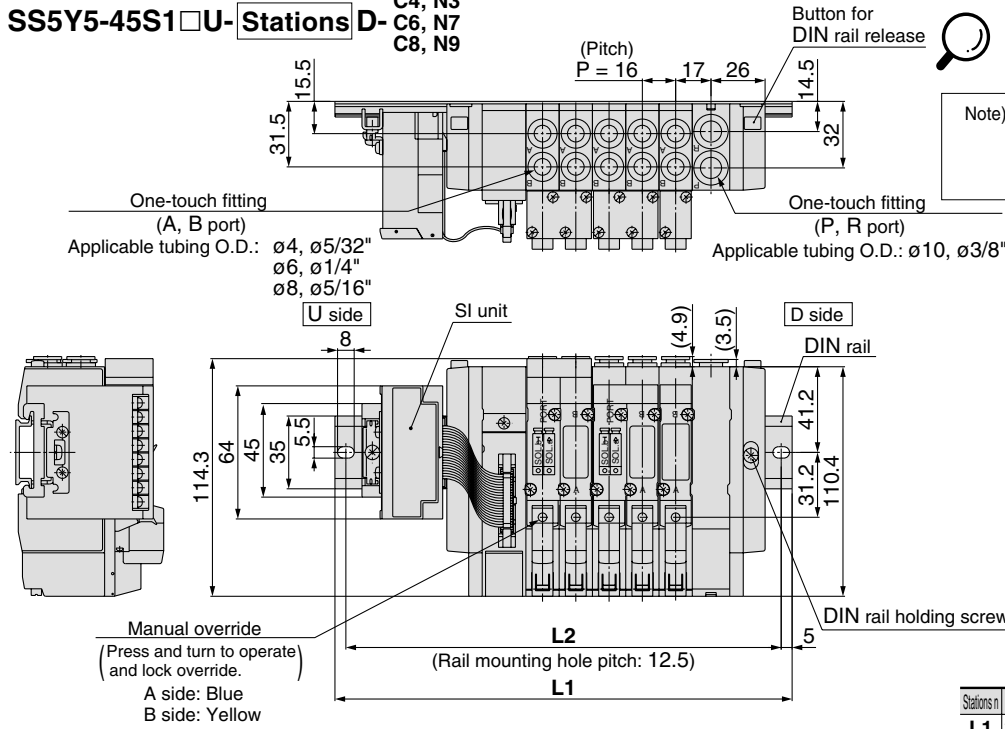


Stations n	2 stations	3	4	5	6	7	8	9	10 stations
L1	173	185.5	198	210.5	223	235.5	235.5	248	260.5
L2	162.5	175	187.5	200	212.5	225	225	237.5	250
L3	108	118.5	129	139.5	150	160.5	171	181.5	192
L4	12	13	14	15	16	17	12	13	14

Stations n	11 stations	12	13	14	15	16 stations
L1	273	285.5	298	298	310.5	323
L2	262.5	275	287.5	287.5	300	312.5
L3	202.5	213	223.5	234	244.5	255
L4	15	16	17	11.5	12.5	13.5

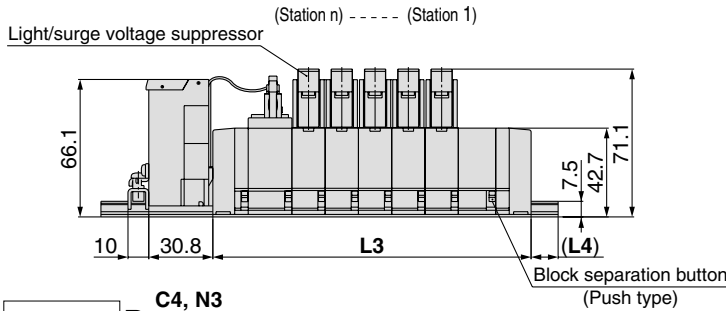
SY5000: EX121 Separate Type (for Output) Serial Transmission System/Plug-in

SS5Y5-45S1 □ U- Stations D- C4, N3
C6, N7
C8, N9

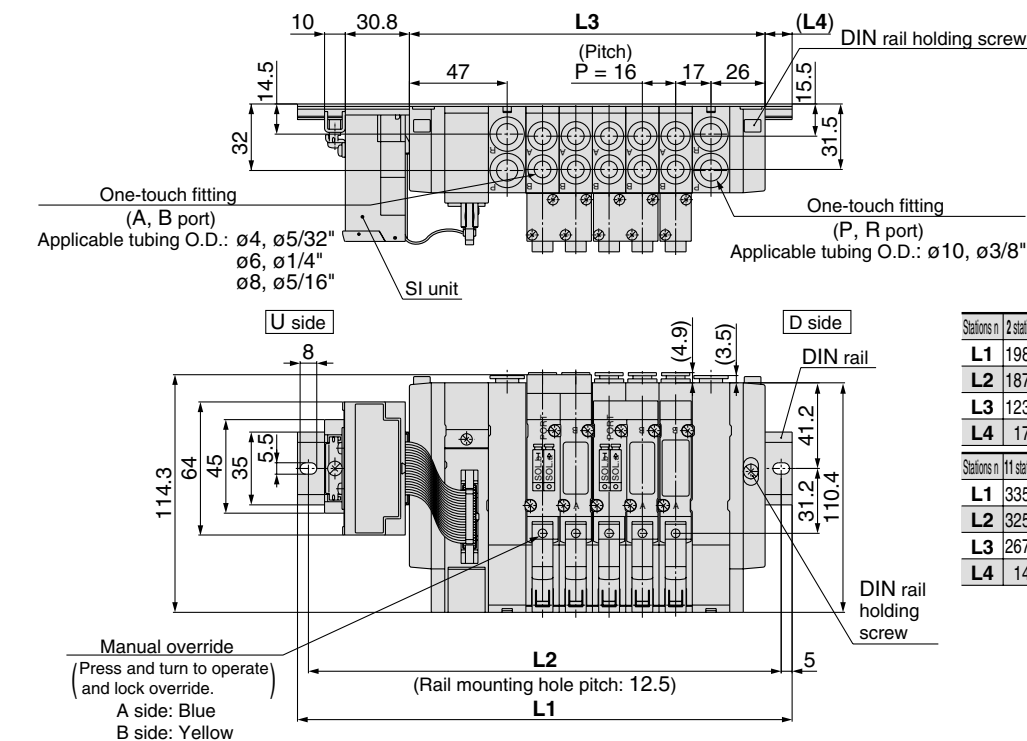


Note) The L1 to L4 dimensions of **SS5Y5-45S1 □ U-** Stations U- C4, N3 C6, N7 C8, N9 are identical to those of **SS5Y5-45S1 □ U-** Stations D- C4, N3 C6, N7 C8, N9.

Stations n	2 stations	3	4	5	6	7	8	9	10 stations
L1	173	185.5	210.5	223	235.5	260.5	273	285.5	298
L2	162.5	175	200	212.5	225	250	262.5	275	287.5
L3	105	121	137	153	169	185	201	217	233
L4	13.5	12	16.5	14.5	13	17.5	15.5	14	12



SS5Y5-45S1 □ U- Stations B- C4, N3
C6, N7
C8, N9



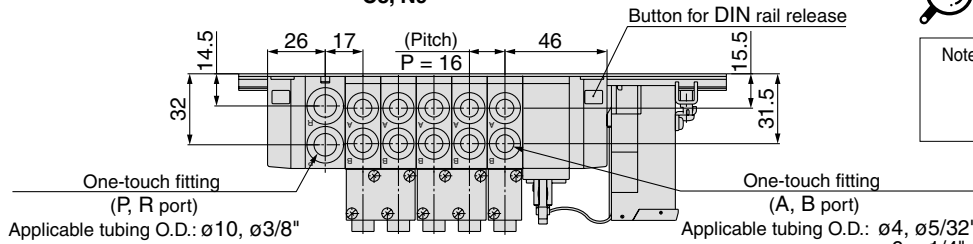
Stations n	2 stations	3	4	5	6	7	8	9	10 stations
L1	198	210.5	223	235.5	260.5	273	285.5	310.5	323
L2	187.5	200	212.5	225	250	262.5	275	300	312.5
L3	123	139	155	171	187	203	219	235	251
L4	17	15.5	13.5	12	16.5	14.5	13	17.5	15.5

Stations n	11 stations	12	13	14	15	16 stations
L1	335.5	348	373	385.5	398	410.5
L2	325	337.5	362.5	375	387.5	400
L3	267	283	299	315	331	347
L4	14	12	16.5	15	13	11.5

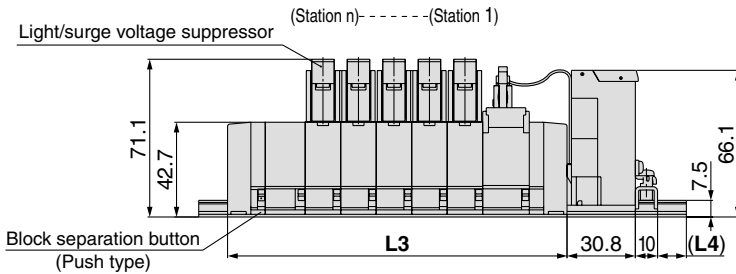
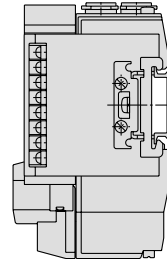
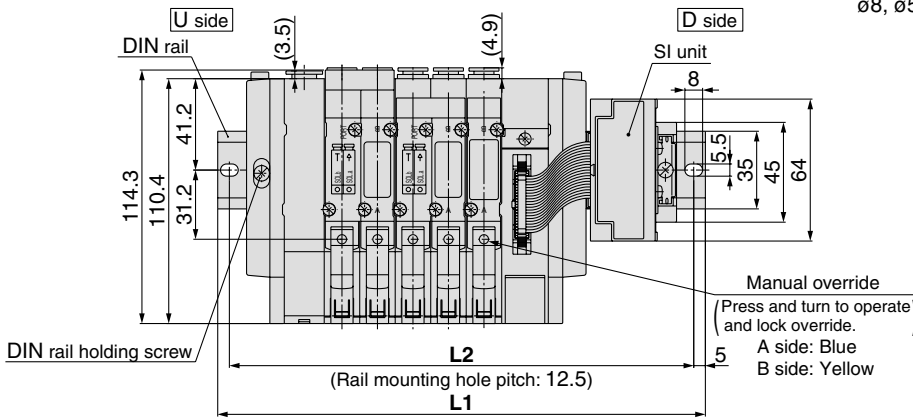
- SJ
- SY
- SV
- SYJ
- SZ
- VP4
- S0700
- VQ
- VQ4
- VQ5
- VQC
- VQZ
- SQ
- VFS
- VFR
- VQ7

SY5000: EX121 Separate Type (for Output) Serial Transmission System/Plug-in

SS5Y5-45S1 □D- Stations U ^{C4, N3}
^{C6, N7}
^{C8, N9}

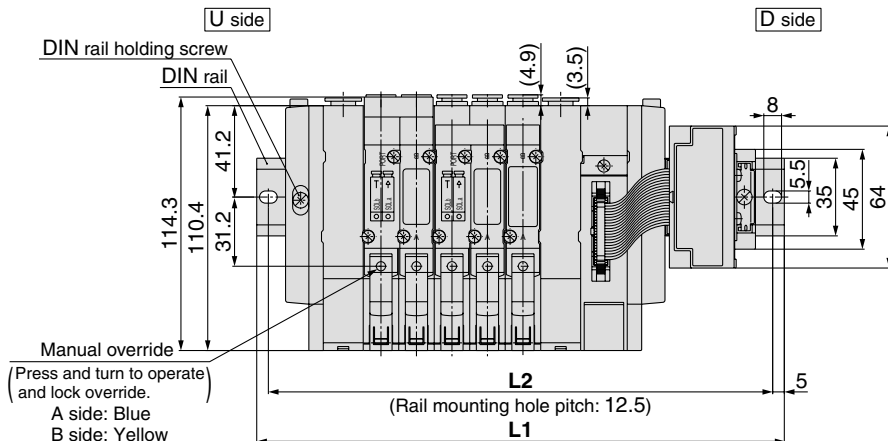
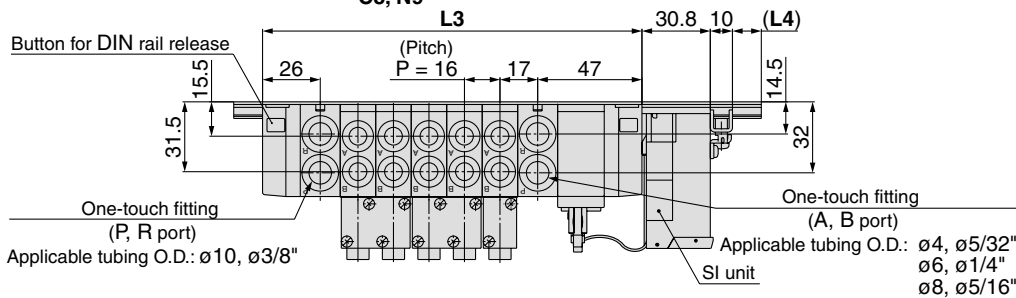


Note) The L1 to L4 dimensions of **SS5Y5-45S1 □D- Stations U** ^{C4, N3} ^{C6, N7} ^{C8, N9} are identical to those of **SS5Y5-45S1 □D- Stations U** ^{C4, N3} ^{C6, N7} ^{C8, N9}.



Stations n	2 stations	3	4	5	6	7	8	9	10 stations
L1	173	185.5	210.5	223	235.5	260.5	273	285.5	298
L2	162.5	175	200	212.5	225	250	262.5	275	287.5
L3	105	121	137	153	169	185	201	217	233
L4	13.5	12	16.5	14.5	13	17.5	15.5	14	12

SS5Y5-45S1 □D- Stations B ^{C4, N3}
^{C6, N7}
^{C8, N9}



Stations n	2 stations	3	4	5	6	7	8	9	10 stations
L1	198	210.5	223	235.5	260.5	273	285.5	310.5	323
L2	187.5	200	212.5	225	250	262.5	275	300	312.5
L3	123	139	155	171	187	203	219	235	251
L4	17	15.5	13.5	12	16.5	14.5	13	17.5	15.5

Stations n	11 stations	12	13	14	15	16 stations
L1	335.5	348	373	385.5	398	410.5
L2	325	337.5	362.5	375	387.5	400
L3	267	283	299	315	331	347
L4	14	12	16.5	15	13	11.5

EX510 Gateway System Serial Transmission System

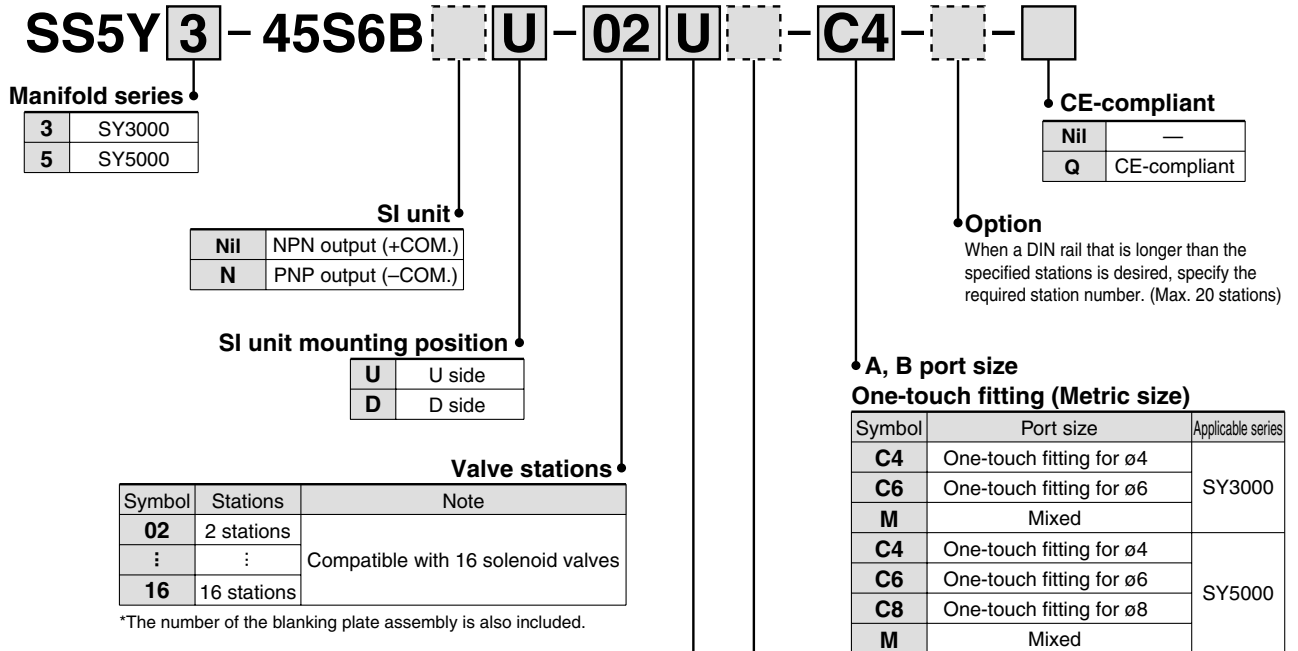
Base Mounted Manifold/Stacking Type/Plug-in Type

Series SY3000/5000

Type **45S6B**



How to Order Manifold



SI unit part no.

Symbol	SI unit specifications	SI unit part no.	Page
Nil	NPN output (+COM.)	EX510-S002A	P.1715 to 1717
N	PNP output (-COM.)	EX510-S102A	

How to Order Manifold Assembly (Example)

Example

SS5Y3-45S6BD-05U-C6 · 1 set (45S6B type 5-station manifold part no.)
***SY3140-5FU ······ 3 sets (Single solenoid part no.)**
***SY3245-5FU ······ 1 set (Double solenoid part no.)**

→The asterisk denotes the symbol for assembly. Prefix to the part no. of the solenoid valve, etc.

- They will be assembled in the order listed starting at the first station at the D side whether the connector box is located at either end.
- When ordering double solenoid valves/3 position (dual body style), please keep in mind that they require two manifold stations.



Pilot specifications

Nil	Internal pilot
S	Internal pilot/built-in silencer
R	External pilot
RS	External pilot/built-in silencer

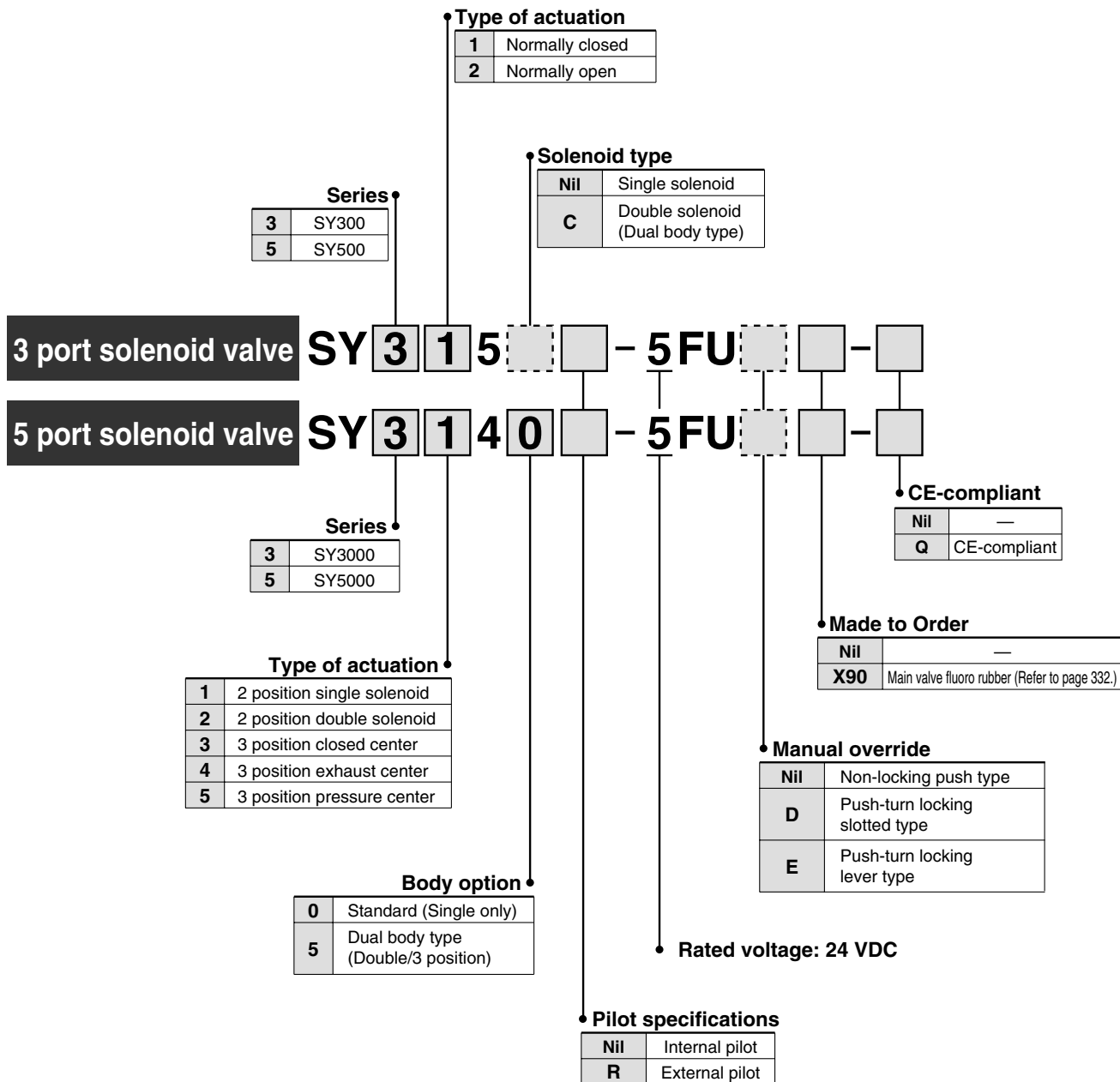
SUP/EXH block assembly mounting position

U	U side	2 to 10 stations
D	D side	
B	Both sides	2 to 16 stations
M	Special specifications*	


*For the special specifications, indicate separately on a manifold specification sheet.

For details of "Gateway System Serial Transmission System, Series EX510", refer to pages 1696 through to 1724.

How to Order Valves

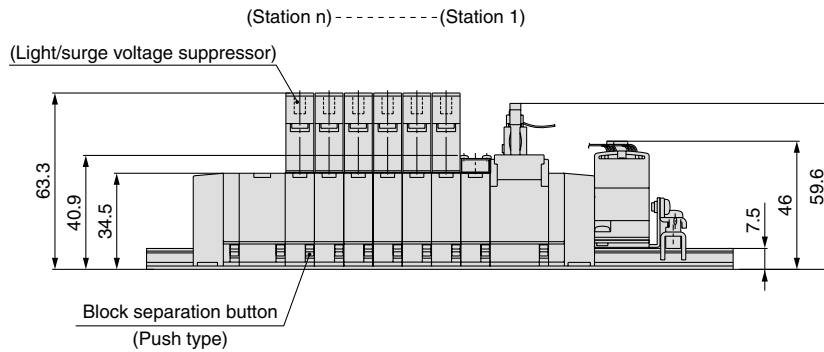
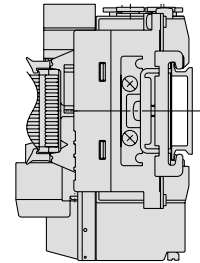
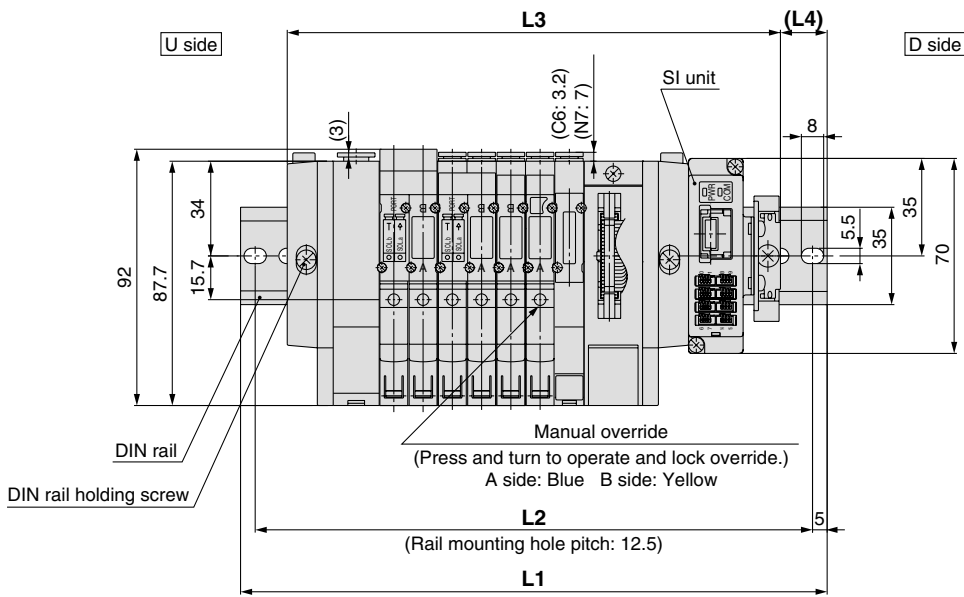
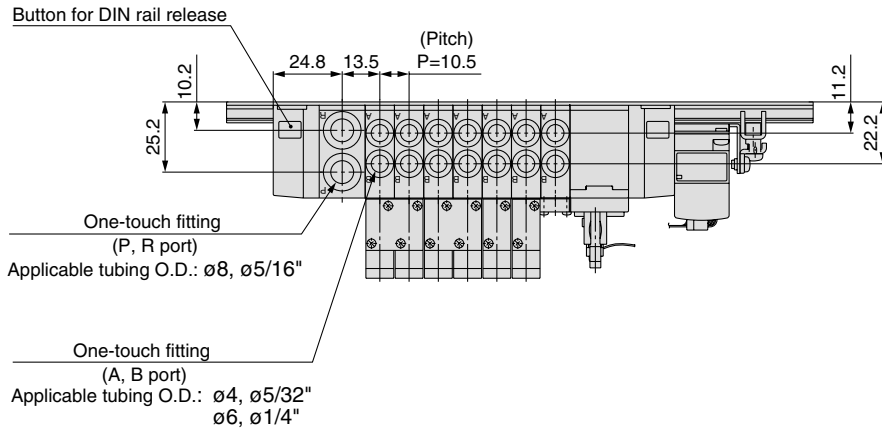


- SJ
- SY**
- SV
- SYJ
- SZ
- VP4
- S0700
- VQ
- VQ4
- VQ5
- VQC
- VQZ
- SQ
- VFS
- VFR
- VQ7

 When ordering plug-in type valve as a single unit, gaskets are not included. Order them separately, if necessary. (Refer to page 300 for details.)

Type **45S6B** Series **SY3000/5000**

SS5Y3-45S6B **D- Stations** **U-** C4, N3
C6, N7

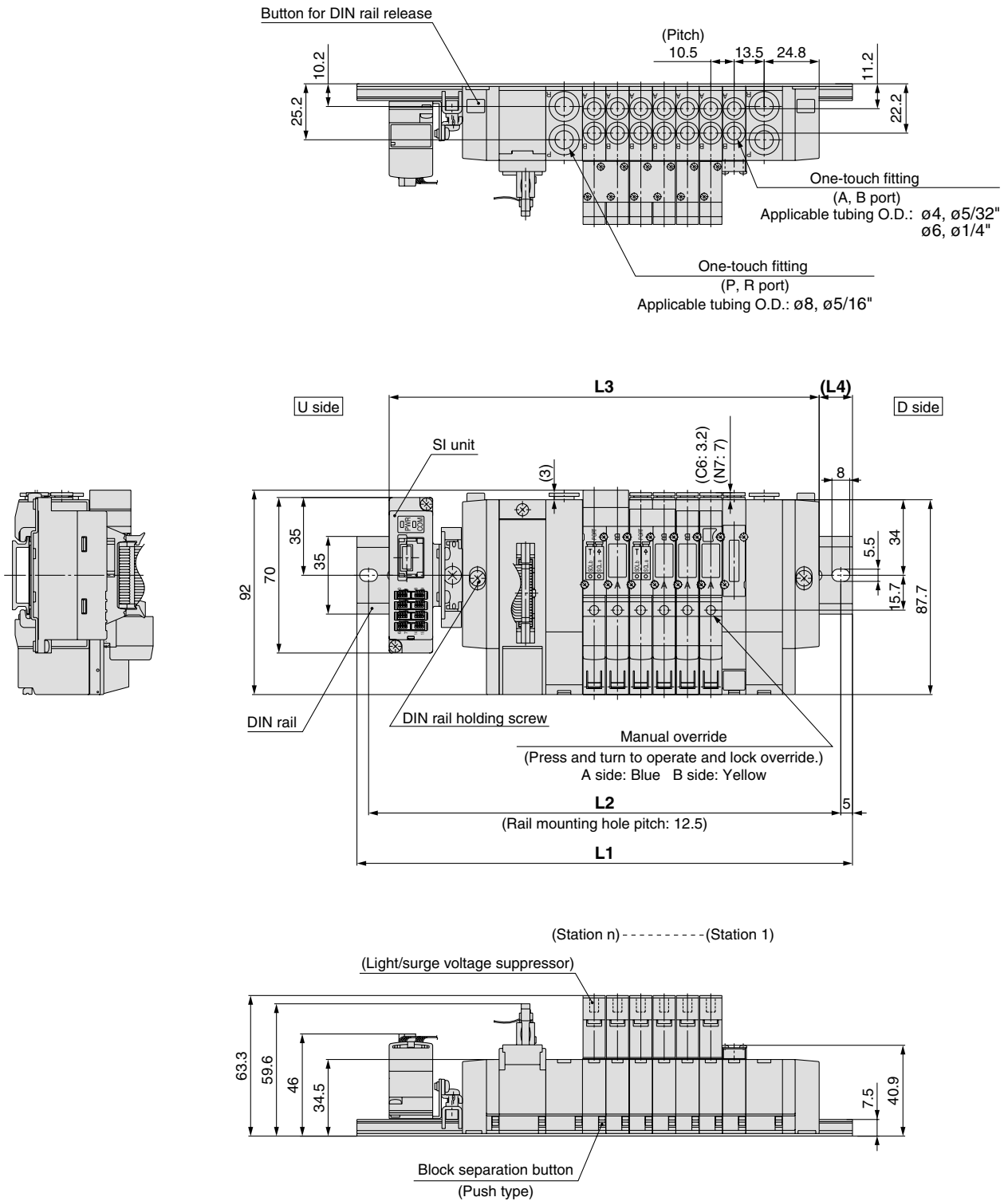


L: Dimensions

n: Stations

L \ n	2	3	4	5	6	7	8	9	10
L1	148	160.5	173	185.5	198	210.5	223	223	235.5
L2	137.5	150	162.5	175	187.5	200	212.5	212.5	225
L3	124.5	135	145.5	156	166.5	177	187.5	198	208.5
L4	12	13	14	15	16	17	18	12.5	13.5

SS5Y3-45S6B U-Stations B-C4, N3
C6, N7



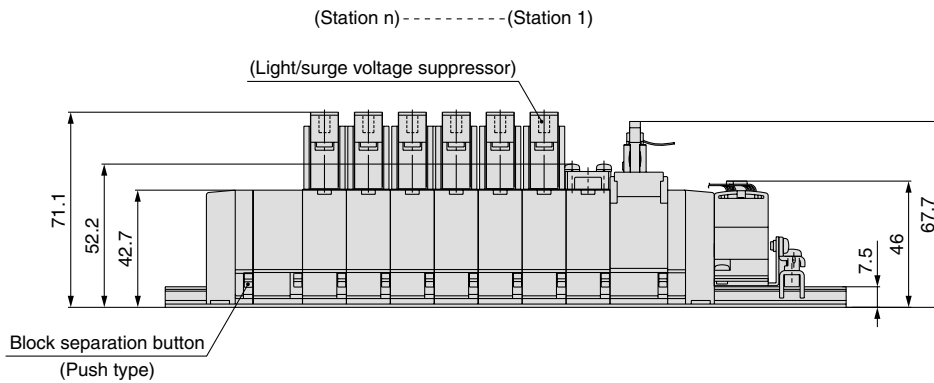
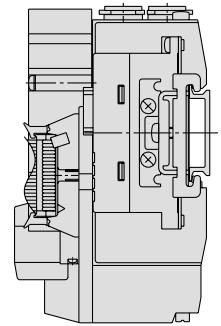
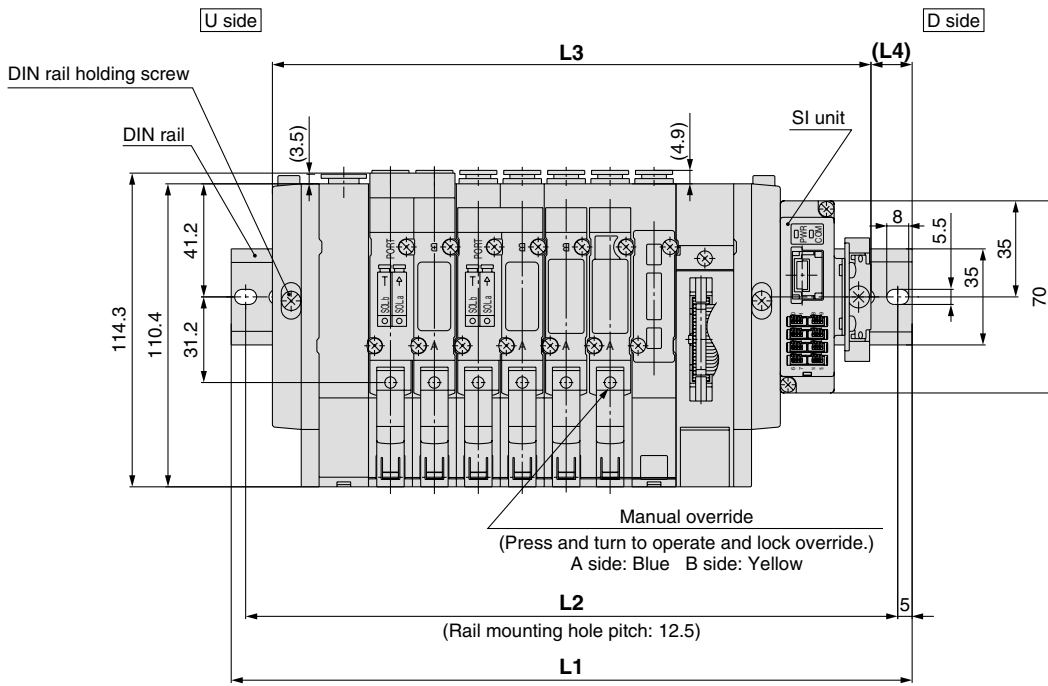
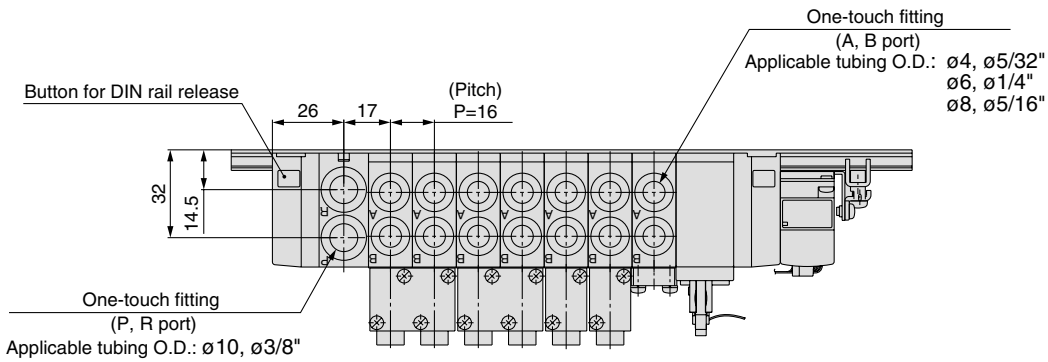
- SJ
- SY
- SV
- SYJ
- SZ
- VP4
- S0700
- VQ
- VQ4
- VQ5
- VQC
- VQZ
- SQ
- VFS
- VFR
- VQ7

L: Dimensions

L \ n	n: Stations															
	2	3	4	5	6	7	8	9	10	11	12	13	14	15	16	
L1	173	185.5	198	198	210.5	223	235.5	248	260.5	273	273	285.5	298	310.5	323	
L2	162.5	175	187.5	187.5	200	212.5	225	237.5	250	262.5	262.5	275	287.5	300	312.5	
L3	141	151.5	162	172.5	183	193.5	204	214.5	225	235.5	246	256.5	267	277.5	288	
L4	16	17	18	13	14	15	16	17	18	19	13.5	14.5	15.5	16.5	17.5	

Type **45S6B** Series **SY3000/5000**

SS5Y5-45S6B **D- Stations** **U-** C4, N3
C6, N7
C8, N9



L: Dimensions

		n: Stations								
L \ n	2	3	4	5	6	7	8	9	10	
L1	173	185.5	198	210.5	235.5	248	260.5	285.5	298	
L2	162.5	175	187.5	200	225	237.5	250	275	287.5	
L3	138	154	170	186	202	218	234	250	266	
L4	17.5	16	14	12.5	17	15	13.5	18	16	

3 Port Valve Mixed Mounting Type on 5 Port Valve Manifold



Series SY300/500

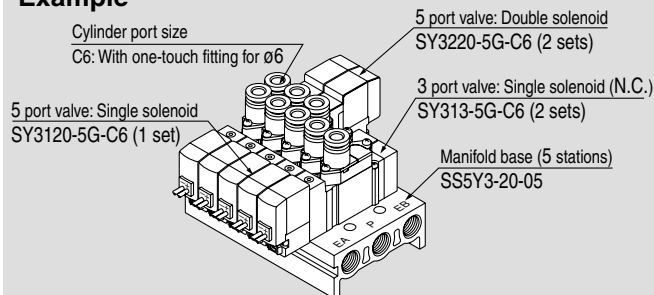
3 port valve can be mounted on manifold for 5 port valve.

Applications

Possible to be mounted on all kinds of manifolds for Series SY3000/5000.
Refer to "How to Order Manifold" for the details.

How to Order Manifold Assembly (Example)

Example



SS5Y3-20-05 1 set (Type 20, 5-station manifold base part no.)
 * SY313-5G-C6 2 sets (3 port valve, type NC part no.)
 * SY3120-5G-C6 1 set (5 port valve, single solenoid part no.)
 * SY3220-5G-C6 2 sets (5 port valve, double solenoid part no.)

→ The asterisk denotes the symbol for assembly.
Prefix it to the part nos. of the solenoid valve, etc.

Add the valve and option part number under the manifold base part number. In the case of complex arrangement, specify them on the manifold specification sheet.

Body Ported/How to Order Valve

Individual Wiring: For SS5Y³₅-20

SY 5 1 3 - 5 L - 01 -

Series

3	SY300
5	SY500

Type of actuation

1	Normally closed (N.C.)
2	Normally open (N.O.)

Solenoid type

Nil	Single solenoid
D	Double solenoid

Coil specifications

Nil	Standard
T	With power saving circuit (24 VDC, 12 VDC only)

* Power saving circuit is not available in the case of D, Y, DO, YO or W□ type.

Rated voltage

For DC		For AC	
5	24 VDC	1	100 VAC
6	12 VDC	2	200 VAC
V	6 VDC	3	110 VAC [115 VAC]
S	5 VDC	4	220 VAC [230 VAC]
R	3 VDC		

* DC specifications of Type D, Y, DO and YO is only available with 12 and 24 VDC.
* For type W□, DC voltage is only available.

Electrical entry

24, 12, 6, 5, 3 VDC/ 100, 110, 200, 220 VAC			24, 12 VDC/ 100, 110, 200, 220 VAC	24, 12, 6, 5, 3 VDC
Grommet	L plug connector	M plug connector	DIN terminal	M8 connector
G: Lead wire length 300 mm	L: With lead wire (Length 300 mm)	M: With lead wire (Length 300 mm)	D: With connector	WO: Without connector cable
H: Lead wire length 600 mm	LN: Without lead wire	MN: Without lead wire	DO: Without connector	W□: With connector cable (Note)
	LO: Without connector	MO: Without connector	Y: With connector	
			YO: Without connector	

CE-compliant

Nil	—
Q	CE-compliant

* For DC only except DIN terminal.

Thread type

Nil	Rc
F	G
N	NPT
T	NPTF

* Except for M5

A port size

Thread piping

Symbol	Port size	Applicable series
M5	M5 x 0.8	SY300
01	1/8	SY500

One-touch fitting (Metric size)

Symbol	Port size	Applicable series
C4	One-touch fitting for ø4	SY300
C6	One-touch fitting for ø6	
C4	One-touch fitting for ø4	SY500
C6	One-touch fitting for ø6	
C8	One-touch fitting for ø8	

One-touch fitting (Inch size)

Symbol	Port size	Applicable series
N3	One-touch fitting for ø 5/32"	SY300
N7	One-touch fitting for ø 1/4"	
N3	One-touch fitting for ø 5/32"	SY500
N7	One-touch fitting for ø 1/4"	
N9	One-touch fitting for ø 5/16"	

Manual override

Nil	Non-locking push type
D	Push-turn locking slotted type
E	Push-turn locking lever type

Light/surge voltage suppressor

Electrical entry for G, H, L, M, W

Nil	Without light/surge voltage suppressor
S	With surge voltage suppressor
Z	With light/surge voltage suppressor
R	With surge voltage suppressor (Non-polar type)
U	With light/surge voltage suppressor (Non-polar type)

* For AC voltage valves there is no "S" option. It is already built-in to the rectifier circuit.
* For "R" and "U", DC voltage is only available.
* Power saving circuit is only available in the "Z" type.

Electrical entry for D, Y (SY500 only)

Nil	Without light/surge voltage suppressor
S	With surge voltage suppressor
Z	With light/surge voltage suppressor

* DOZ and YOZ are not available.
* For AC voltage valves there is no "S" option. It is already built-in to the rectifier circuit.

Note) When placing an order for body ported solenoid valve as a single unit, mounting screw for manifold and gasket are not attached. Order them separately, if necessary. (Refer to page 173 for details.)

- SJ
- SY
- SV
- SYJ
- SZ
- VP4
- S0700
- VQ
- VQ4
- VQ5
- VQC
- VQZ
- SQ
- VFS
- VFR
- VQ7

Series SY300/500

Body Ported/How to Order Valve

Flat ribbon cable: SS5Y³-20P

Light/surge voltage suppressor

Z	With light/surge voltage suppressor
U	With light/surge voltage suppressor (Non-polar type)

Note) Z: Positive common specifications only.

Rated voltage

5	24 VDC
6	12 VDC

A port size

Thread piping

Symbol	Port size	Applicable series
M5	M5 x 0.8	SY300
01	1/8	SY500

One-touch fitting (Metric size)

Symbol	Port size	Applicable series
C4	One-touch fitting for ø4	SY300
C6	One-touch fitting for ø6	SY300
C6	One-touch fitting for ø6	SY500
C8	One-touch fitting for ø8	SY500

One-touch fitting (Inch size)

Symbol	Port size	Applicable series
N3	One-touch fitting for ø5/32"	SY300
N7	One-touch fitting for ø1/4"	SY300
N7	One-touch fitting for ø1/4"	SY500
N9	One-touch fitting for ø5/16"	SY500

CE-compliant

Nil	—
Q	CE-compliant

For DC: SY

5

1

3

 -

5

 LO

Z

 -

--

 -

--

 -

--

For AC: SY

5

1

3

 -

1

 LO

Z

 -

--

 -

--

 -

--

Series

3	SY300
5	SY500

Type of actuation

1	Normally closed (N.C.)
2	Normally open (N.C.)

Rated voltage

1	100 VAC
3	110 VAC [115 VAC]

Manual override

Nil	Non-locking push type
D	Push-turn locking slotted type
E	Push-turn locking lever type

Thread type

Nil	Rc
F	G
N	NPT
T	NPTF

* Except for M5

Solenoid type

Nil	Single solenoid
D	Double solenoid

Base Mounted/How to Order Valve

Individual wiring: For SS5Y³-41/42/45

SY

5

1

5

 -

5

 L

--

 -

--

Series

3	SY300
5	SY500

Type of actuation

1	Normally closed (N.C.)
2	Normally open (N.C.)

Solenoid type

Nil	Single solenoid
D	Double solenoid

Pilot type

Nil	Internal pilot
R	External pilot

* External pilot is not available for Type 41 manifold.

Coil specifications

Nil	Standard
T	With power saving circuit (24 VDC, 12 VDC only)

* Power saving circuit is not available in the case of D, Y, DO, YO or W□ type.

Rated voltage

For DC		AC	
5	24 VDC	1	100 VAC
6	12 VDC	2	200 VAC
V	6 VDC	3	110 VAC [115 VAC]
S	5 VDC	4	220 VAC [230 VAC]
R	3 VDC		

* DC specifications of Type D, Y, DO and YO is only available with 12 and 24 VDC.
* For type W□, DC voltage is only available.

Light/surge voltage suppressor

Electrical entry for G, H, L, M, W

Nil	Without light/surge voltage suppressor
S	With surge voltage suppressor
Z	With light/surge voltage suppressor
R	With surge voltage suppressor (Non-polar type)
U	With light/surge voltage suppressor (Non-polar type)

* For AC voltage valves there is no "S" option. It is already built-in to the rectifier circuit.
* For "R" and "U", DC voltage is only available.
* Power saving circuit is only available in the "Z" type.

Electrical entry for D, Y (SY500 only)

Nil	Without light/surge voltage suppressor
S	With surge voltage suppressor
Z	With light/surge voltage suppressor

* DOZ and YOZ are not available.
* For AC voltage valves there is no "S" option. It is already built-in to the rectifier circuit.

CE-compliant

Nil	—
Q	CE-compliant

* For DC only except DIN terminal.

Manual override

Nil	Non-locking push type
D	Push-turn locking slotted type
E	Push-turn locking lever type

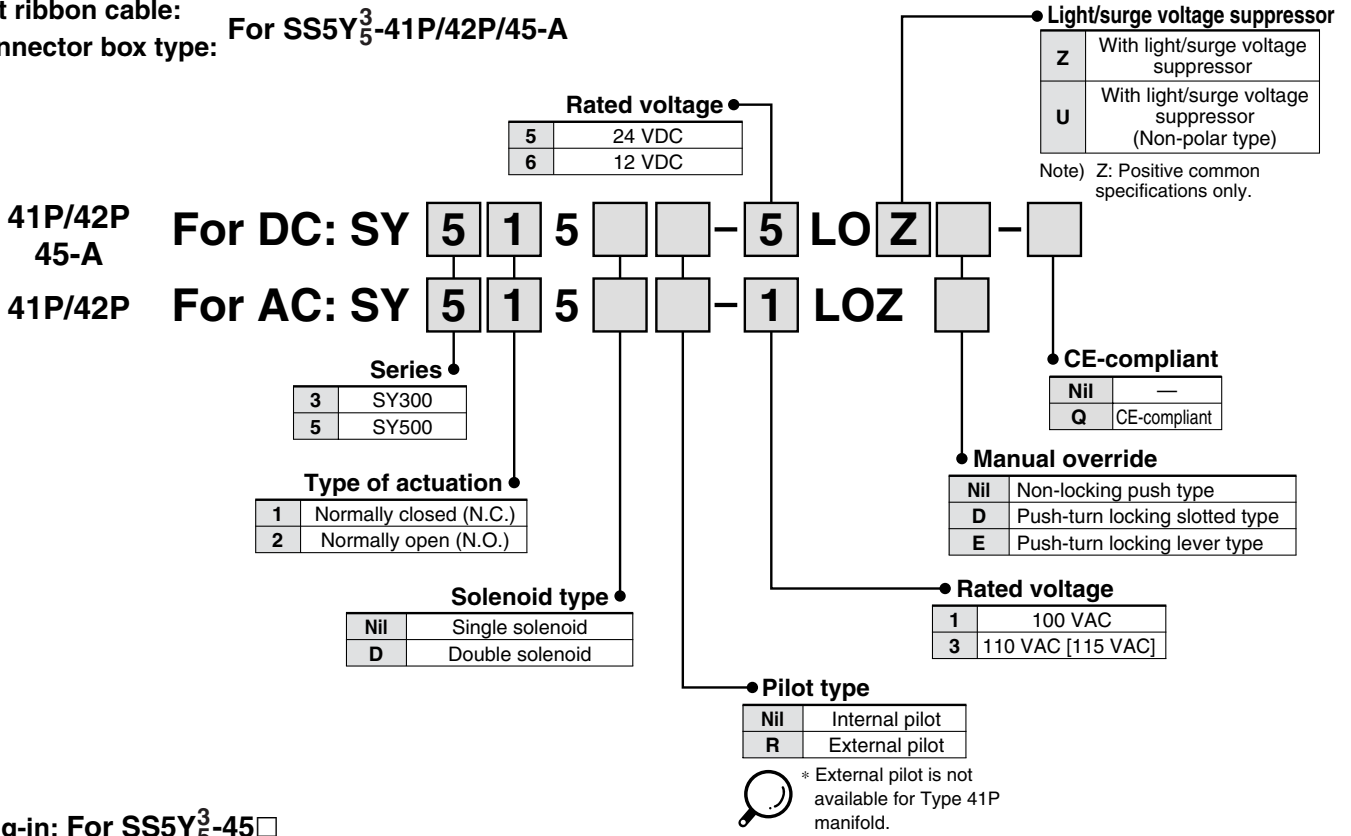
Electrical entry

24, 12, 6, 5, 3 VDC/ 100, 110, 200, 220 VAC		24, 12 VDC/ 100, 110, 200, 220 VAC		24, 12, 6, 5, 3 VDC	
Grommet	L plug connector	M plug connector	DIN terminal	M8 connector	
G: Lead wire length 300 mm	L: With lead wire (Length 300 mm)	M: With lead wire (Length 300 mm)	D: With connector	WO: Without connector cable	
H: Lead wire length 600 mm	LN: Without lead wire	MN: Without lead wire	DO: Without connector	W□: With connector cable (Note)	
	LO: Without connector	MO: Without connector	Y: With connector		
			YO: Without connector		

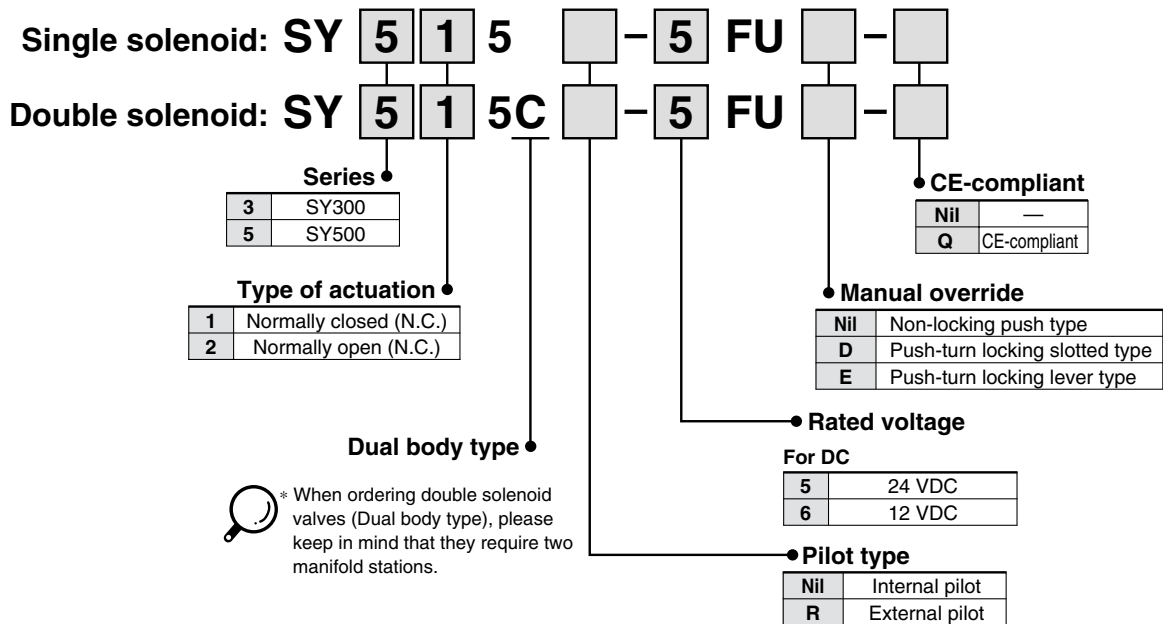
* LN, MN type: with 2 sockets.
* Refer to page 337 for DIN terminal of SY300 series.
* "Y" type is a DIN terminal conforming to EN-175301-803C (former DIN43650C). For details, refer to page 336.
* Refer to page 339 for connector cable of M8 connector.
* M8 connector conforming to IEC60947-5-2 standard is also available. Refer to page 331 for details.
* Refer to page 336 for the lead wire length of L and M plug connectors.
* Refer to page 337 for the connector assembly with cover for L and M plug connectors.
Note) Enter the cable length symbols in □. Please be sure to fill in the blank referring to page 340.

Base Mounted/How to Order Valve

Flat ribbon cable: For SS5Y³₅-41P/42P/45-A
 Connector box type:



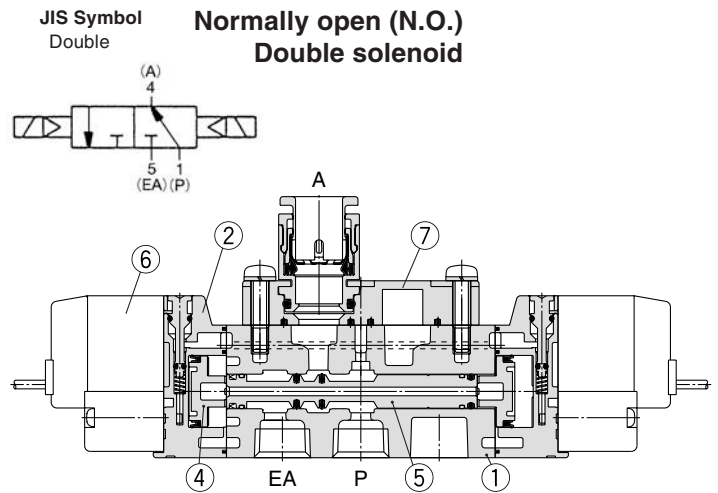
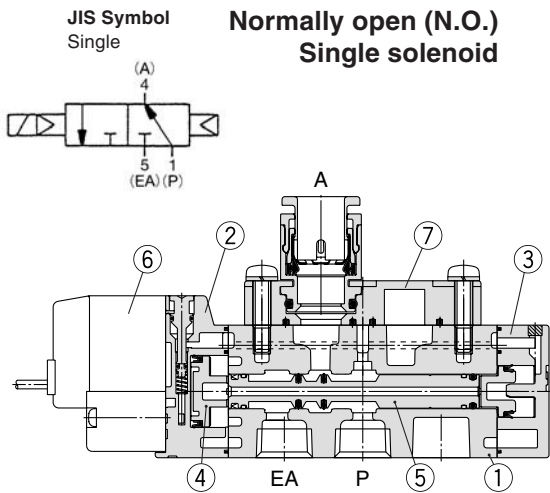
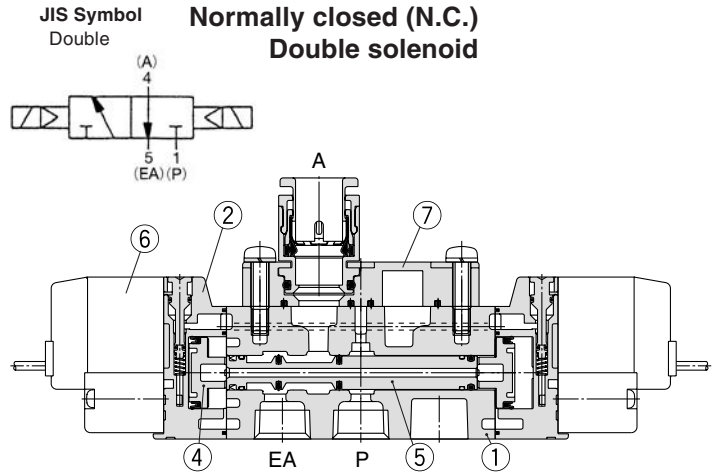
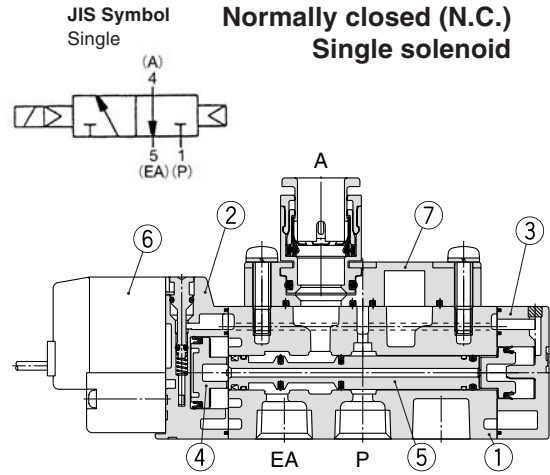
Plug-in: For SS5Y³₅-45□



- SJ
- SY**
- SV
- SYJ
- SZ
- VP4
- S0700
- VQ
- VQ4
- VQ5
- VQC
- VQZ
- SQ
- VFS
- VFR
- VQ7

Series SY300/500

Construction



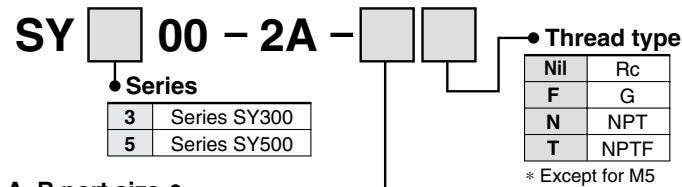
Component Parts

No.	Description	Material	Note
1	Body	Aluminum die-casted (SY3000: Zinc die-casted)	White
2	Adapter plate	Resin	White
3	End plate	Resin	White
4	Piston	Resin	-
5	Spool valve assembly	Aluminum, H-NBR	-

Replacement Parts

No.	Description	No.
6	Pilot valve assembly	Refer to "How to Order Pilot Valve Assembly" on page 112.
7	M5 port block assembly	Refer to "How to Order Port Block Assembly" below.

How to Order M5 Port Block Assembly



A, B port size

Thread piping

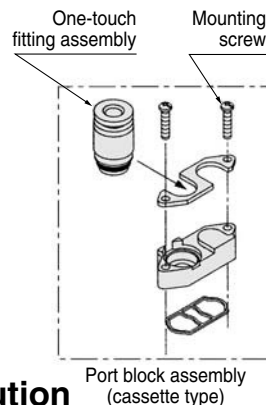
Symbol	Port size	Applicable series
M5	M5 x 0.8	SY300
O1	1/8	SY500

One-touch fitting (Metric size)

Symbol	Port size	Applicable series
C4	One-touch fitting for ø4	SY300
C6	One-touch fitting for ø6	
C4	One-touch fitting for ø4	SY500
C6	One-touch fitting for ø6	
C8	One-touch fitting for ø8	

One-touch fitting (Inch size)

Symbol	Port size	Applicable series
N3	One-touch fitting for ø5/32"	SY300
N7	One-touch fitting for ø1/4"	
N3	One-touch fitting for ø5/32"	SY500
N7	One-touch fitting for ø1/4"	
N9	One-touch fitting for ø5/16"	



* Only replacement of the fittings assembly is possible.

Metric size

SY300	One-touch fitting for ø4	VVQ1000-50A-C4
	One-touch fitting for ø6	VVQ1000-50A-C6
	One-touch fitting for ø4	VVQ1000-51A-C4
SY500	One-touch fitting for ø6	VVQ1000-51A-C6
	One-touch fitting for ø8	VVQ1000-51A-C8

Inch size

SY300	One-touch fitting for ø5/32"	VVQ1000-50A-N3
	One-touch fitting for ø1/4"	VVQ1000-50A-N7
SY500	One-touch fitting for ø5/32"	VVQ1000-51A-N3
	One-touch fitting for ø1/4"	VVQ1000-51A-N7
	One-touch fitting for ø5/16"	VVQ1000-51A-N9



Caution

Mounting screw tightening torques

SY300 (M2) : 0.12 N·m
SY500 (M3) : 0.6 N·m

Specifications

Dimensions, specifications, solenoid specifications, response time and effective area are the same as 5 port valve.

Mass

Series SY300

Valve model	Type of actuation	Mass (g)	
		Grommet	L, M plug connector
SY3□3-□□-M5	Single	51	53
	Double	68	74
SY3□3-□□-C4 N3	Single	56	59
	Double	74	79
SY3□3-□□-C6 N7	Single	54	57
	Double	72	77
SY3□5-□□	Single	47	50
	Double	65	70

Series SY500

Valve model	Type of actuation	Mass (g)		
		Grommet	L, M plug connector	DIN terminal
SY5□3-□-01□	Single	69	72	93
	Double	87	93	135
SY5□3-□-C4 N3	Single	82	82	103
	Double	100	102	144
SY5□3-□-C6 N7	Single	79	77	98
	Double	97	98	140
SY5□3-□-C8 N9	Single	75	84	105
	Double	93	105	147
SY5□5-□□	Single	55	58	79
	Double	73	78	120

SJ

SY

SV

SYJ

SZ

VP4

S0700

VQ

VQ4

VQ5

VQC

VQZ

SQ

VFS

VFR

VQ7

SY3000/5000

Made to Order

External Pilot/Built-in Silencer

External pilot manifold bases for low-pressure/vacuum use are added to split style/DIN rail manifolds. The built-in silencer has materialized a clear-cut appearance.



Type **45**

Individual Wiring/Connector Box Type

How to Order Manifold

Type 45

SS5Y³₅-45(-A)-05 U R - C6

Series

3	SY3000
5	SY5000

Valve stations

Symbol	Stations
02	2 stations
⋮	⋮
20	20 stations

The number of blanking plate assembly is included.

SUP/EXH block assembly mounting position

Symbol	Mounting position	Stations
U	U side	2 to 10 stations
D	D side	
B	Both sides	2 to 20 stations
M	Special specifications	

* For special specifications, indicate separately by the manifold specification

SUP/EXH block assembly specifications

Symbol	Specifications
R	External pilot specifications
S	Internal pilot/Built-in silencer
RS	External pilot/Built-in silencer

A, B port size

One-touch fitting (Metric size)

Symbol	Port size	Applicable series
C4	One-touch fitting for ø4	SY3000
C6	One-touch fitting for ø6	
M	Mixed	
C4	One-touch fitting for ø4	SY5000
C6	One-touch fitting for ø6	
C8	One-touch fitting for ø8	
M	Mixed	

One-touch fitting (Inch size)

Symbol	Port size	Applicable series
N3	One-touch fitting for ø5/32"	SY3000
N7	One-touch fitting for ø1/4"	
M	Mixed	
N3	One-touch fitting for ø5/32"	SY5000
N7	One-touch fitting for ø1/4"	
N9	One-touch fitting for ø9/16"	
M	Mixed	

* In the case of mixed specifications, indicate separately on the manifold specification sheet.

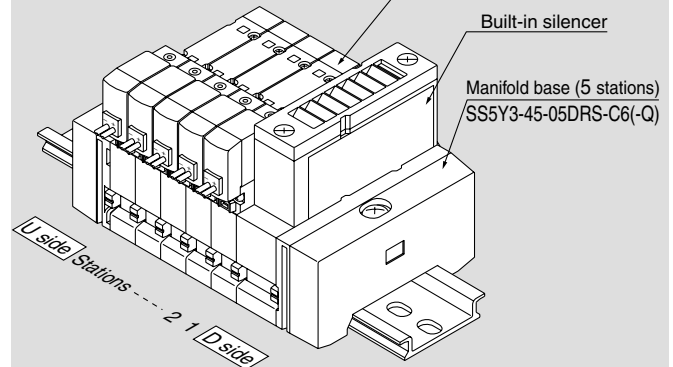
CE-compliant

Nil	—
Q	CE-compliant

How to Order Manifold Assembly (Example)

Example

Single solenoid (external pilot specifications)
SY3140R-5G(-Q) (5 sets)



SS5Y3-45-05DRS-C6 1 set (External pilot specification with built-in silencer part no.)

* **SY3140R-5G** 5 sets (Single solenoid part no.)

↳ The asterisk denotes the symbol for assembly. Prefix it to the part nos. of the solenoid valve, etc.

The valve arrangement is numbered as the 1st. station from D side regardless of the mounting position of SUP/EXH block assembly. In ordering, specify the part nos. in the order from the 1st. station on D side. Besides, when the arrangement will be complicated, fill out the manifold specification sheet to instruct us. For manifolds with SUP/EXH block assembly at each end of the manifold, external pilot ports and silencers will be also located at each end of the manifold. The SUP/EXH block assembly (SX3/5000-51-1A), for special usage, as shown on page 254, can also be mounted. Please specify the mounting position, by correctly filling in the blank space on the manifold specification sheet.

How to Order Valve

SY 5 2 40 - **5 L** - -

Series

3	SY3000
5	SY5000

Type of actuation

1	2 position single
2	2 position double
3	3 position closed center
4	3 position exhaust center
5	3 position pressure center

Pilot type

Nil	Internal pilot
R	External pilot

Coil specifications

Nil	Standard
T	With power saving circuit (24 VDC, 12 VDC only)

* Power saving circuit is not available in the case of D, Y, DO, YO or W□ type.

Rated voltage

For DC

5	24 VDC
6	12 VDC
V	6 VDC
S	5 VDC
R	3 VDC

For AC (50/60 Hz)

1	100 VAC
2	200 VAC
3	110 VAC [115 VAC]
4	220 VAC [230 VAC]

* DC specifications of Type D, Y, DO and YO is only available with 12 and 24 VDC.
* For type W□, DC voltage is only available.
* D, Y, DO and YO only available for SY5000.

CE-compliant

Nil	—
Q	CE-compliant

* For DC only except DIN terminal.

Made to Order

Nil	—
X90	Main valve fluoro rubber (Refer to page 332.)

Manual override

Nil	Non-locking push type
D	Push-turn locking slotted type
E	Push-turn locking lever type

Light/surge voltage suppressor

Electrical entry for G, H, L, M, W

Nil	Without light/surge voltage suppressor
S	With surge voltage suppressor
Z	With light/surge voltage suppressor
R	With surge voltage suppressor (Non-polar type)
U	With light/surge voltage suppressor (Non-polar type)

* For AC voltage valves there is no "S" option. It is already built-in to the rectifier circuit.
* For "R" and "U", DC voltage is only available.
* Power saving circuit is only available in the "Z" type.

Electrical entry for D, Y (SY5000 only)

Nil	Without light/surge voltage suppressor
S	With surge voltage suppressor (Non-polar type)
Z	With light/surge voltage suppressor (Non-polar type)

* DOZ and YOZ are not available.
* For AC voltage valves there is no "S" option. It is already built-in to the rectifier circuit.

Electrical entry

24, 12, 6, 5, 3 VDC/100, 110, 200, 220 VAC			24, 12 VDC/ 100, 110, 200, 220 VAC	24, 12, 6, 5, 3 VDC
Grommet	L plug connector	M plug connector	DIN terminal	M8 connector
G: Lead wire length 300 mm H: Lead wire length 600 mm	L: With lead wire (Length 300 mm) LN: Without lead wire LO: Without connector	M: With lead wire (Length 300 mm) MN: Without lead wire MO: Without connector	(SY5000 only) D: With connector DO: Without connector Y: With connector YO: Without connector	WO: Without connector cable W□: With connector cable ^{Note)}

SJ
SY
SV
SYJ
SZ
VP4
S0700
VQ
VQ4
VQ5
VQC
VQZ
SQ
VFS
VFR
VQ7

- * LN, MN type: with 2 sockets.
* D, Y, DO and YO only available for SY5000.
* "Y" type is a DIN terminal conforming to EN-175301-803C (former DIN43650C). Refer to page 336 for details.
* Setting "-5LOU" is available only for connector box type.
* Refer to page 339 for connector cable of M8 connector.
* M8 connector conforming to IEC60947-5-2 standard is also available. Refer to page 331 for details.
* Refer to page 336 for the lead wire length of L and M plug connectors.
* Refer to page 337 for the connector assembly with cover for L and M plug connectors.
Note) Enter the cable length symbols in □. Please be sure to fill in the blank referring to page 340.

Plug-in

How to Order Manifold

Type 45

SS5Y³₅-45FU-05UR

Series

3	SY3000
5	SY5000

Common specifications

Nil	Positive common
N	Negative common

No symbol is used for T, T1, S□ types.

Connector type

Symbol	Mounting position
F	D-sub connector
P	Flat ribbon cable 26 pins
PG	Flat ribbon cable 20 pins
PH	Flat ribbon cable 10 pins
T	Terminal block 9 pins
T1	Terminal block 18 pins
S□	Serial Transmission Type

* For details, refer to pages from 272.

Connector mounting position

Symbol	Mounting position
U	U side
D	D side

Valve stations

Symbol	Stations	Note
02	2 stations	Single wiring spec.
⋮	⋮	
20	20 stations	

- * This also includes the number of blanking plate assemblies.
- * Depending on the connector, the number of stations is limited. Refer to page 275.
- * Two stations are necessary for the double, 3 position (Dual body type).

SUP/EXH block assembly mounting position

Symbol	Mounting position	Stations
U	U side	2 to 10 stations
D	D side	
B	Both sides	
M	Special specifications	2 to 20 stations

* For special specifications, indicate separately by the manifold specification

SUP/EXH block assembly specifications

Symbol	Specifications
R	External pilot specifications
S	Internal pilot/Built-in silencer
RS	External pilot/Built-in silencer

A, B port size

One-touch fitting (Metric size)			One-touch fitting (Inch size)		
Symbol	Port size	Applicable series	Symbol	Port size	Applicable series
C4	One-touch fitting for ø4	SY3000	N3	One-touch fitting for ø5/32"	SY3000
C6	One-touch fitting for ø6		N7	One-touch fitting for ø1/4"	
M	Mixed		M	Mixed	
C4	One-touch fitting for ø4	SY5000	N3	One-touch fitting for ø5/32"	SY5000
C6	One-touch fitting for ø6		N7	One-touch fitting for ø1/4"	
C8	One-touch fitting for ø8		N9	One-touch fitting for ø5/16"	
M	Mixed	M	Mixed		

* In the case of mixed specifications, indicate separately on the manifold specification sheet.

Voltage

Nil	24 VDC
12V	12 VDC

Option

When a longer DIN rail is desired than the specified stations, specify the station number to be required. (20 stations at maximum)

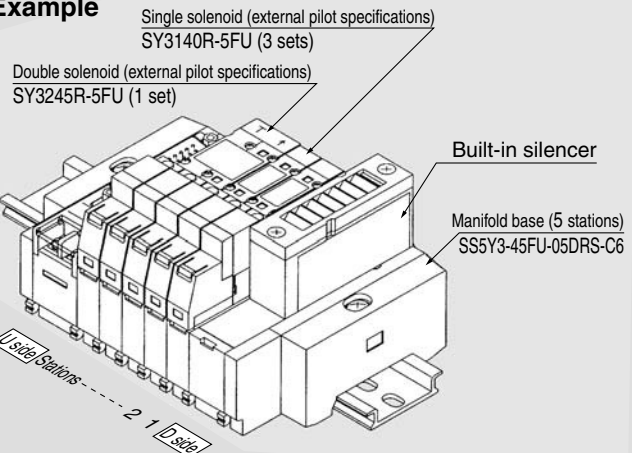
No symbol is used for T, T1, S□ types.

CE-compliant

Nil	—
Q	CE-compliant

How to Order Manifold Assembly (Example)

Example



SS5Y3-45FU-05DRS-C6 ... 1 set (External pilot specification with built-in silencer part no.)
 * **SY3140R-5FU** 3 sets (Single solenoid part no.)
 * **SY3245R-5FU** 1 set (Double solenoid part no.)

→ The asterisk denotes the symbol for assembly. Prefix it to the part nos. of the solenoid valve, etc.

The valve arrangement is numbered as the 1st. station from D side regardless of the mounting position of SUP/EXH block assembly. In ordering, specify the part nos. in the order from the 1st. station on D side. Besides, when the arrangement will be complicated, fill out the manifold specification sheet to instruct us.
 For manifolds with SUP/EXH block at each end of the manifold, external pilot ports and silencers will be also located at each end of the manifold.
 The SUP/EXH block assembly (SX3/5000-51-1A), for special usage, can also be mounted. Please specify the mounting position, by correctly filling in the blank space on the manifold specification sheet.
 Two stations of the manifold base are necessary for the double, 3 position (Dual body type). Use caution when specifying the number of stations required for the manifold base.

How to Order Valve

SY314 **5FU**

Series

3	SY3000
5	SY5000

Type of actuation

1	2 position single
2	2 position double
3	3 position closed center
4	3 position exhaust center
5	3 position pressure center

Body Option

0	Standard (Single only)
5	Dual body type (Double, 3 position)

Pilot type

Nil	Internal pilot
R	External pilot

Rated voltage

5	24 VDC
6	12 VDC
V*	6 VDC
S*	5 VDC
R*	3 VDC

Manual override

Nil	Non-locking push type
D	Push-turn locking slotted type
E	Push-turn locking lever type

Made to Order

Nil	—
X90	Main valve fluoro rubber (Refer to page 332.)

* Mark: 45T and T1 only
 S□ type is available for 24 VDC only.

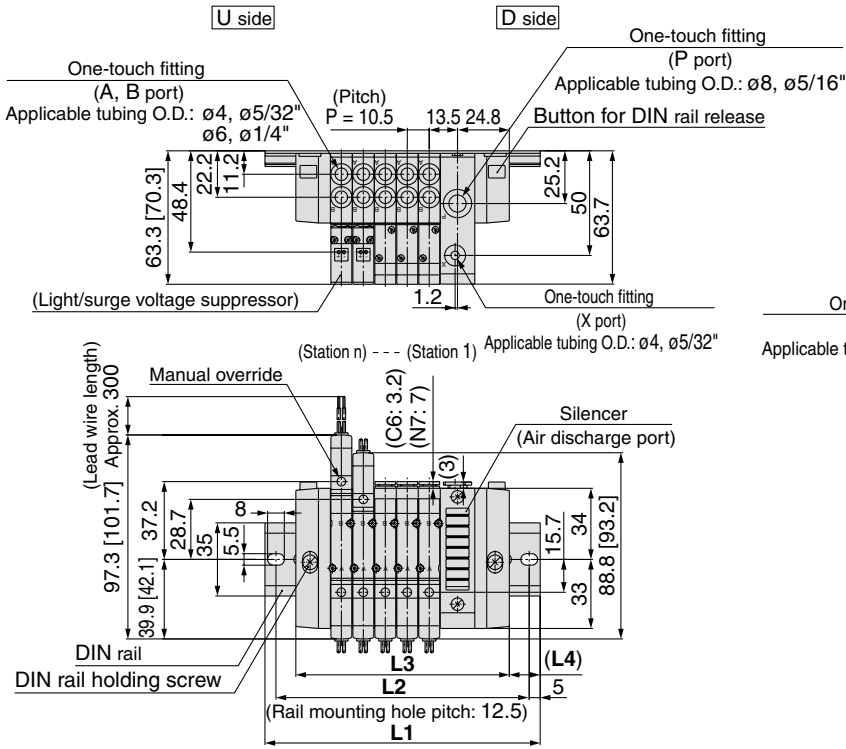
CE-compliant

Nil	—
Q	CE-compliant

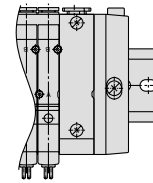
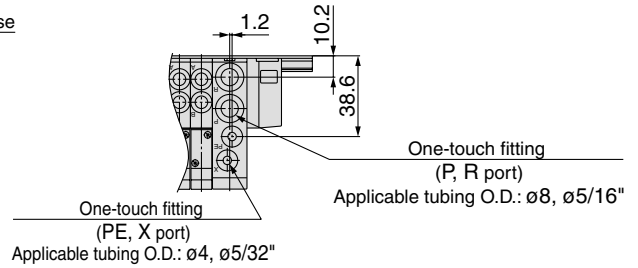
External Pilot/Built-in Silencer



SY3000: SS5Y3-45- Stations DRS-^{C4, N3}_{C6, N7}

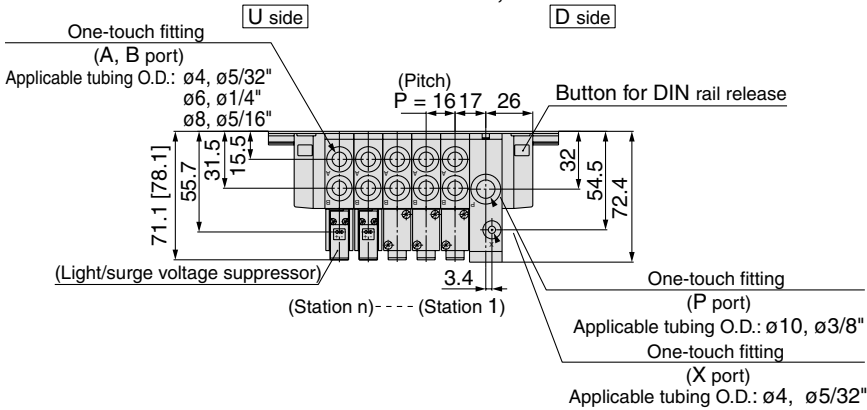


SS5Y3-45- Stations DR-^{C4, N3}_{C6, N7}

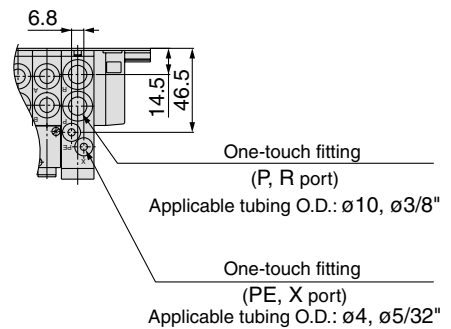


* The dimensions L1 to L4 are identical to those of **SS5Y3-45- Stations ^U_B-^{C4, N3}_{C6, N7}**.

**SY5000: SS5Y5-45- Stations DRS-^{C4, N3}_{C6, N7}
^{C8, N9}**



**SS5Y5-45- Stations DR-^{C4, N3}_{C6, N7}
^{C8, N9}**



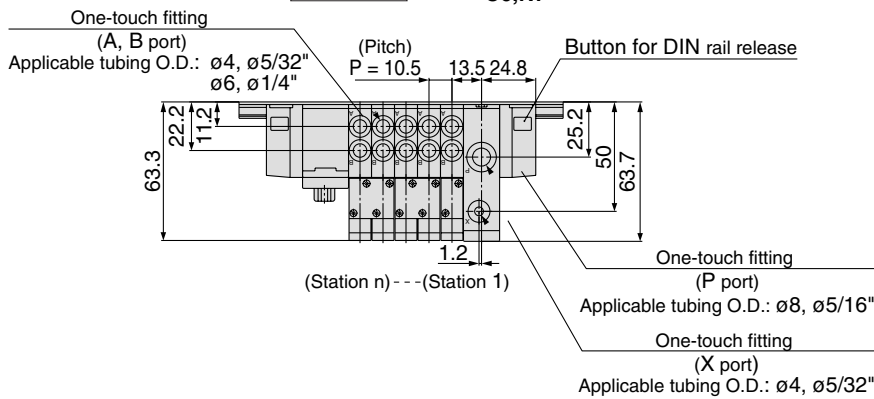
* The dimensions L1 to L4 are identical to those of **SS5Y3-45- Stations ^U_B-^{C4, N3}_{C6, N7}
^{C8, N9}**.

* The dimensions of **SS5Y³-45- Stations URS** are identical to those of **SS5Y³-45- Stations DRS**.

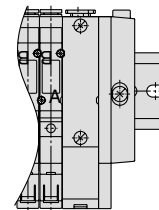
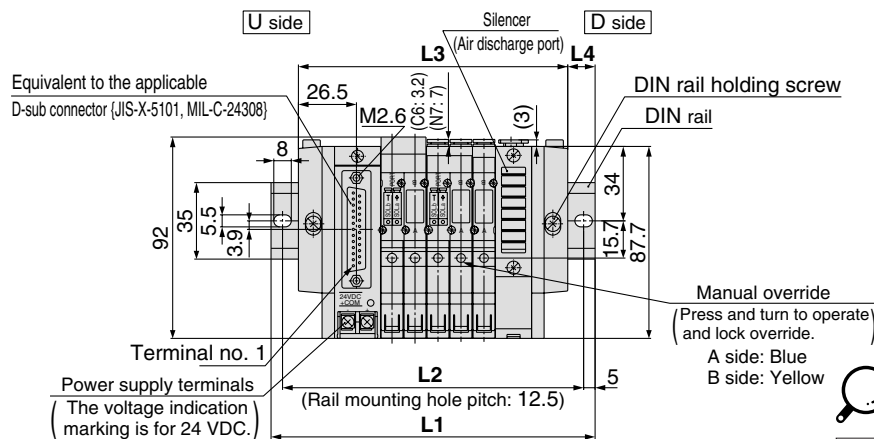
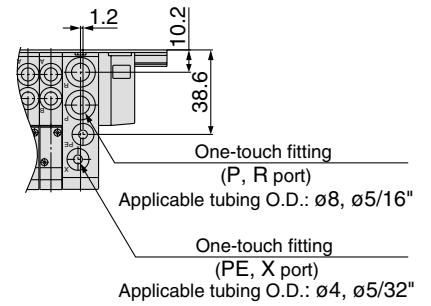
- SJ
- SY
- SV
- SYJ
- SZ
- VP4
- S0700
- VQ
- VQ4
- VQ5
- VQC
- VQZ
- SQ
- VFS
- VFR
- VQ7

External Pilot/Built-in Silencer

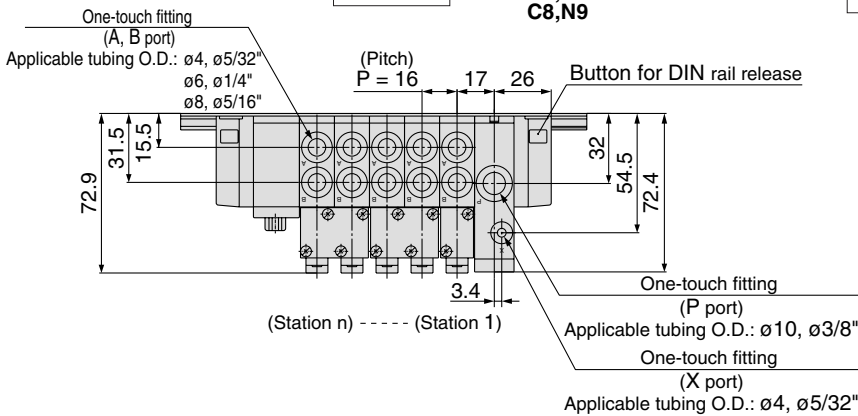
SY3000: SS5Y3-45FU- Stations DRS- C4,N3 C6,N7



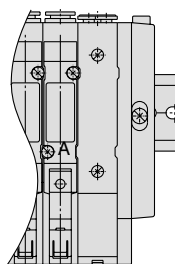
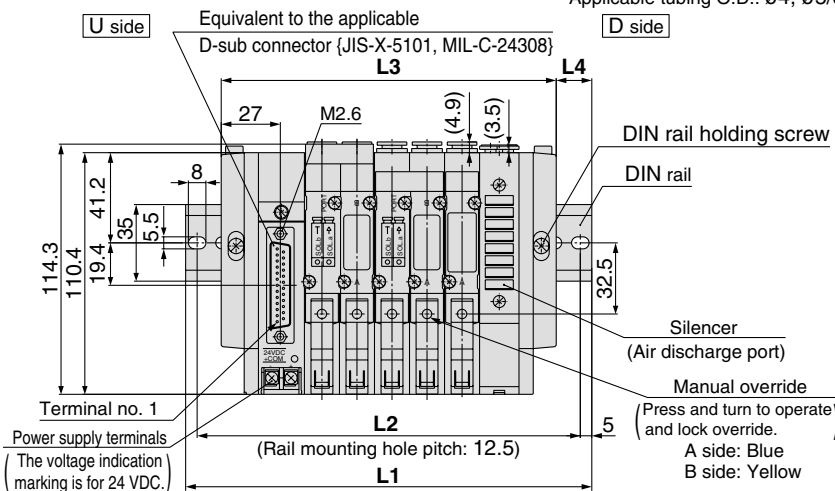
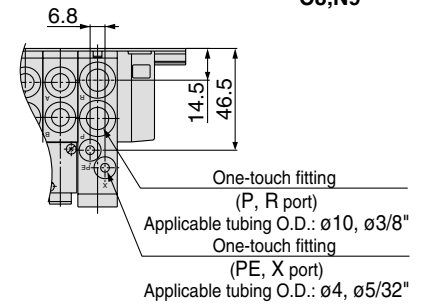
SS5Y3-45FU- Stations DR- C4,N3 C6,N7



SY5000: SS5Y5-45FU- Stations DRS- C4,N3 C6,N7 C8,N9



SS5Y5-45FU- Stations DR- C4,N3 C6,N7 C8,N9



* The dimensions L1 to L4 are identical to those of SS5Y3-45FU- Stations DRS.

* The dimensions of SS5Y5-45FU- Stations DRS are identical to those of SS5Y5-45FU- Stations DR.

SY3000/5000

Made to Order

Mixed Mounting Type



Type **M45**

Non plug-in

This manifold makes it possible to mount SY3000 onto base of SY5000.

How to Order Manifold

Type M45 (Mixed mounting style)

SS5Y5-M45 05 U - C86

• Mixed mounting style

Valve stations	SUP/EXH block assembly mounting position
Symbol Stations	Symbol Mounting position Stations
02 2 stations	U U side 2 to 10 stations
⋮ ⋮	D D side 2 to 10 stations
20 20 stations	B Both sides 2 to 20 stations
	M Special specifications

The number of blanking plate ass'y is included, too.

* For special specifications, indicate separately by the manifold specification sheet.

SUP/EXH block assembly specifications

Symbol	Specifications
Nil	Standard/Internal pilot specifications
S	Built-in silencer

* External pilot specification is unavailable for mixed mounting style.

• CE-compliant

Nil	—
Q	CE-compliant

* For DC only.

• Option

When a longer DIN rail is desired than the specified stations, specify the station number to be required. (Max. 20 stations)

A, B port size

One-touch fitting (Metric size)

Symbol	Port size
C44	SY5000: One-touch fitting for ø4 SY3000: One-touch fitting for ø4
C46	SY5000: One-touch fitting for ø4 SY3000: One-touch fitting for ø6
C64	SY5000: One-touch fitting for ø6 SY3000: One-touch fitting for ø4
C66	SY5000: One-touch fitting for ø6 SY3000: One-touch fitting for ø6
C84	SY5000: One-touch fitting for ø8 SY3000: One-touch fitting for ø4
C86	SY5000: One-touch fitting for ø8 SY3000: One-touch fitting for ø6
M	Mixed

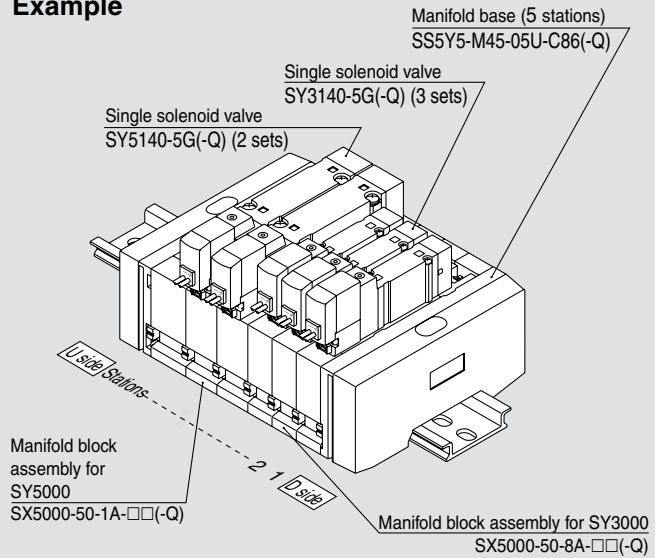
One-touch fitting (Inch size)

Symbol	Port size
N33	SY5000: One-touch fitting for ø $\frac{5}{32}$ " SY3000: One-touch fitting for ø $\frac{3}{32}$ "
N37	SY5000: One-touch fitting for ø $\frac{3}{32}$ " SY3000: One-touch fitting for ø $\frac{1}{4}$ "
N73	SY5000: One-touch fitting for ø $\frac{1}{4}$ " SY3000: One-touch fitting for ø $\frac{3}{32}$ "
N77	SY5000: One-touch fitting for ø $\frac{1}{4}$ " SY3000: One-touch fitting for ø $\frac{1}{4}$ "
N93	SY5000: One-touch fitting for ø $\frac{3}{16}$ " SY3000: One-touch fitting for ø $\frac{3}{32}$ "
N97	SY5000: One-touch fitting for ø $\frac{3}{16}$ " SY3000: One-touch fitting for ø $\frac{1}{4}$ "
M	Mixed

* In the case of mixed specifications, indicate separately on the manifold specification sheet.

How to Order Manifold Assembly (Example)

Example



SS5Y5-M45-05U-C86 .. 1 set (Type M45, manifold base part no.)
 * **SY3140-5G** 3 sets (Single solenoid part no.)
 * **SY5140-5G** 2 sets (Single solenoid part no.)

The asterisk denotes the symbol for assembly. Prefix it to the part nos. of the solenoid valve, etc.

The valve arrangement is numbered as the 1st. station from D side regardless of the mounting position of SUP/EXH block assembly. In ordering, specify the part nos. in the order from the 1st. station on D side. Besides, when the arrangement will be complicated, fill out the manifold specification sheet to instruct us.

How to Order Valve

SY 5 2 40 - 5 L

Series

3	SY3000
5	SY5000

Type of actuation

1	2 position single
2	2 position double
3	3 position closed center
4	3 position exhaust center
5	3 position pressure center

• Coil specifications

Nil	Standard
T	With power saving circuit (24 VDC, 12 VDC only)

* Power saving circuit is not available in the case of W□ type.

Rated voltage

For DC

5	24 VDC
6	12 VDC
V	6 VDC
S	5 VDC
R	3 VDC

For AC (50/60 Hz)

1	100 VAC
2	200 VAC
3	110 VAC [115 VAC]
4	220 VAC [230 VAC]

* For type W□, DC voltage is only available.

• Electrical entry for G, H, L, M, W

Nil	Without light/surge voltage suppressor
S	With surge voltage suppressor
Z	With light/surge voltage suppressor
R	With surge voltage suppressor (Non-polar type)
U	With light/surge voltage suppressor (Non-polar type)

* For AC voltage valves there is no "S" option. It is already built-in to the rectifier circuit.
 * For "R" and "U", DC voltage is only available.
 * Power saving circuit is only available in the "Z" type.

• CE-compliant

Nil	—
Q	CE-compliant

* For DC only.

• Made to Order

Nil	—
X90	Main valve fluoro rubber (Refer to page 332.)

• Manual override

Nil	Non-locking push type
D	Push-turn locking slotted type
E	Push-turn locking lever type

• Electrical entry

24, 12, 6, 5, 3 VDC/100, 110, 200, 220 VAC			
Grommet	L plug connector	M plug connector	M8 connector
G: Lead wire length 300 mm	L: With lead wire (Length 300 mm)	M: With lead wire (Length 300 mm)	WO: Without connector cable
H: Lead wire length 600 mm	LN: Without lead wire	MN: Without lead wire	W□: With connector cable (Note)
	LO: Without connector	MO: Without connector	

* LN, MN type: with 2 sockets.

* Refer to page 339 for connector cable of M8 connector.

* M8 connector conforming to IEC60947-5-2 standard is also available. Refer to page 331 for details.

* Refer to page 336 for the lead wire length of L and M plug connectors.

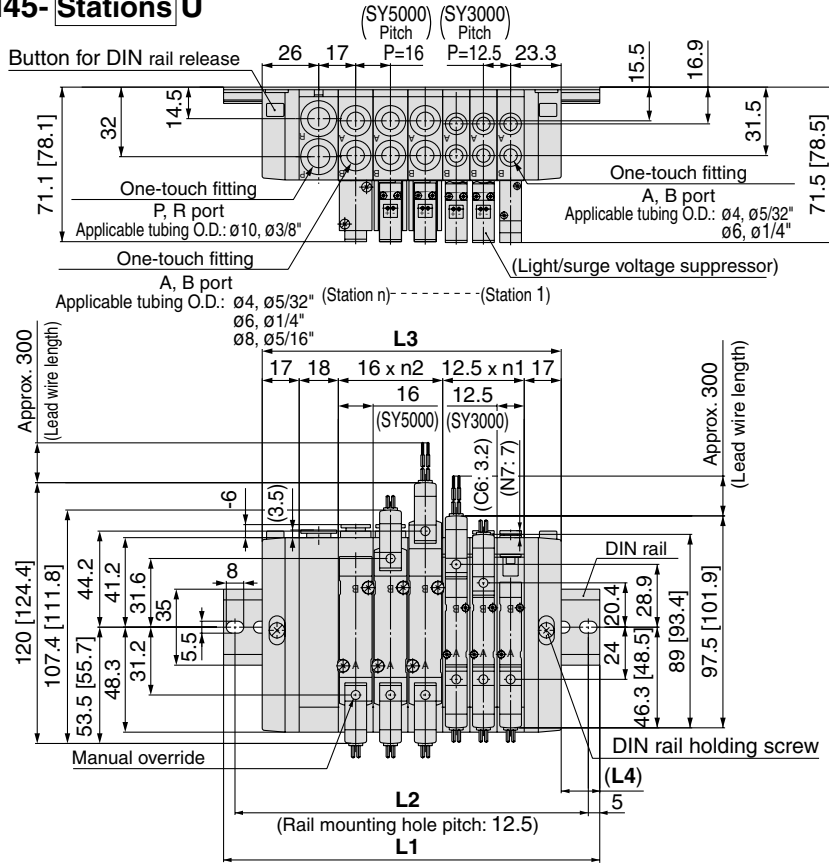
* Refer to page 337 for the connector assembly with cover for L and M plug connectors.

Note) Enter the cable length symbols in □. Please be sure to fill in the blank referring to page 340.



Dimensions: Mixed Mounting

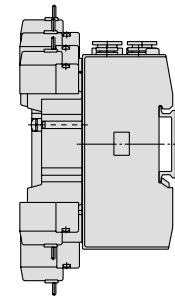
SS5Y5-M45- Stations U



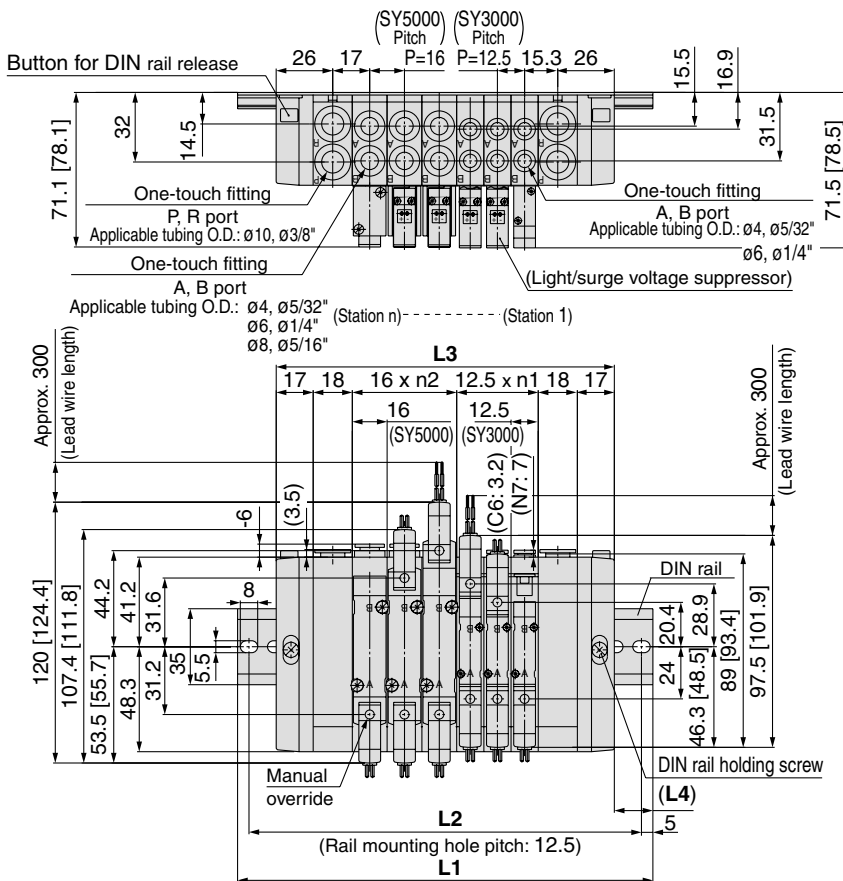
L dimension: Formulae for L1 to L4
 $L3 = 12.5 \times n1 + 16 \times n2 + 52$
 $M = (\frac{L3}{12.5} + 1)$ Omit decimals
 $L1 = 12.5 \times M + 23$
 $L2 = L1 - 10.5$
 $L4 = (L1 - L3) / 2$

n1 = Number of SY3000
 n2 = Number of SY5000

Note) The L1 to L4 dimensions of **SS5Y5-M45- Stations D** are identical to those of **SS5Y5-M45- Stations U**.

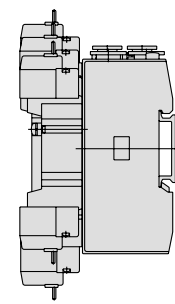


SS5Y5-M45- Stations B



L dimension: Formulae for L1 to L4
 $L3 = 12.5 \times n1 + 16 \times n2 + 70$
 $M = (\frac{L3}{12.5} + 1)$ Omit decimals
 $L1 = 12.5 \times M + 23$
 $L2 = L1 - 10.5$
 $L4 = (L1 - L3) / 2$

n1 = Number of SY3000
 n2 = Number of SY5000



[Series SY3000/5000/7000/9000/SY300/500] Made to Order M8 Connector Conforming to IEC60947-5-2



How to Order Valve

Type of actuation

3	Body ported
5	Base mounted

Type of actuation

1	Normally open
2	Normally closed

Series

3	SY3000
5	SY5000

3 port valve
(5 port valve mixed mounting style)
5 port valve

Series

3	SY3000
5	SY5000
7	SY7000
9	SY9000

Type of actuation

1	2 position single
2	2 position double
3	3 position closed center
4	3 position exhaust center
5	3 position pressure center

Body type

2	Body ported
4	Base mounted
6	Body ported cassette type

* The body ported cassette type is not available for series SY9000.

Note When placing an order for body ported solenoid valve as a single unit, gaskets are not included. Order them separately, if necessary. (Refer to catalog on page 173 for details.)

A port size Thread piping

Symbol	Port size	Applicable series
Nil	Base mounted	
M5	M5 x 0.8	SY300
O1	1/8	SY500

One-touch fitting (Metric size)

Symbol	Port size	Applicable series
C4	One-touch fitting for ø4	SY300
C6	One-touch fitting for ø6	SY300
C4	One-touch fitting for ø4	SY500
C6	One-touch fitting for ø6	SY500
C8	One-touch fitting for ø8	SY500

One-touch fitting (Inch size)

Symbol	Port size	Applicable series
N3	One-touch fitting for 5/32"	SY300
N7	One-touch fitting for 1/4"	SY300
N7	One-touch fitting for 1/4"	SY500
N9	One-touch fitting for 5/16"	SY500

Thread type

Nil	Rc
F	G
N	NPT
T	NPTF

CE-compliant

Nil	—
Q	CE-compliant

Pilot type

Nil	Internal pilot
R*	External pilot

* Base mounted type only.

Rated voltage

For DC

5	24 VDC
6	12 VDC
V	6 VDC
S	5 VDC
R	3 VDC

Electrical entry

WAO: Without connector cable
WA□: With connector cable (Note 1)

Note 1) □: Enter a symbol for cable length. Enter referring page 340.

Light/surge voltage suppressor

Nil	Without light/surge voltage suppressor
S	With surge voltage suppressor
Z	With indicator light and surge voltage suppressor
R	Without surge voltage suppressor (non-polar type)
U	Without light/surge voltage suppressor (non-polar type)

Manual override

Nil	Non-locking push type
D	Push-turn locking slotted type
E	Push-turn locking lever type

Made to Order

Nil	—
X20	Body ported external pilot (Refer to page 332.)
X90	Main valve fluoro rubber (Refer to page 332.)

* X20 for series SY9000 is not available.
* X20 for the base mounted type is not available.

A, B port size Thread piping

Symbol	Port size	Applicable series
M5	M5 x 0.8	SY3000
O1	1/8	SY5000
O2	1/4	SY7000
O2	1/4	SY9000
O3	3/8	SY9000

One-touch fitting (Metric size)

Symbol	Port size	Applicable series
C4	One-touch fitting for ø4	SY3000
C6	One-touch fitting for ø6	SY3000
C4	One-touch fitting for ø4	SY5000
C6	One-touch fitting for ø6	SY5000
C8	One-touch fitting for ø8	SY5000
C8	One-touch fitting for ø8	SY7000
C10	One-touch fitting for ø10	SY7000
C8	One-touch fitting for ø8	SY9000
C10	One-touch fitting for ø10	SY9000
C12	One-touch fitting for ø12	SY9000

One-touch fitting (Inch size)

Symbol	Port size	Applicable series
N3	One-touch fitting for ø 5/32"	SY3000
N7	One-touch fitting for ø 1/4"	SY3000
N3	One-touch fitting for ø 5/32"	SY5000
N7	One-touch fitting for ø 1/4"	SY5000
N9	One-touch fitting for ø 5/16"	SY5000
N9	One-touch fitting for ø 5/16"	SY7000
N11	One-touch fitting for ø 3/8"	SY7000
N9	One-touch fitting for ø 5/16"	SY9000
N11	One-touch fitting for ø 3/8"	SY9000

For Base Mounted

Symbol	Port size	Applicable series
Nil	Without sub-plate	
O1	1/8 With sub-plate	SY3000
O2	1/4 With sub-plate	SY5000 SY7000
O3	3/8 With sub-plate	SY7000 SY9000
O4	1/2 With sub-plate	SY9000

- SJ
- SY
- SV
- SYJ
- SZ
- VP4
- S0700
- VQ
- VQ4
- VQ5
- VQC
- VQZ
- SQ
- VFS
- VFR
- VQ7

How to Order Pilot Valve

V111- 5 WAO

Rated voltage

For DC

5	24 VDC
6	12 VDC
V	6 VDC
S	5 VDC
R	3 VDC

Light/surge voltage suppressor

Nil	Without light/surge voltage suppressor
S	With surge voltage suppressor
Z	With indicator light and surge voltage suppressor
R	Without surge voltage suppressor (non-polar type)
U	Without light/surge voltage suppressor (non-polar type)

Electrical entry

WAO	M8	Without connector cable
WA□	connector	With connector cable (Note 1)

Note 1) □: Enter a symbol for cable length. Enter referring page 340.

Note Since V111 is CE-compliant as standard, the suffix "-Q" is not necessary.

Series SY3000/5000/7000/9000

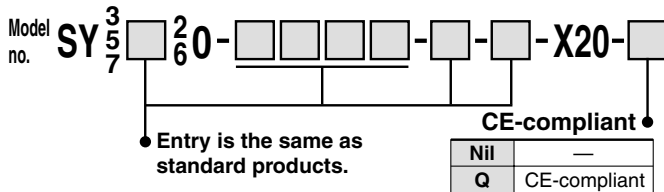
Made to Order

Body Ported External Pilot/Fluoro Rubber for Main Valve



Body Ported External Pilot

Applicable solenoid valves: Series SY3□²₀, SY5□²₀, SY7□²₀



Operating pressure range MPa

Operating pressure range	-100 kPa to 0.7
Pilot pressure range	0.25 to 0.7

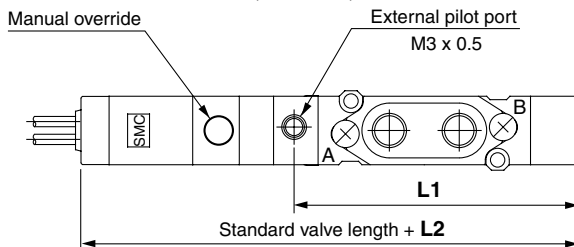
Dimensions: For SY3□²⁰₆₀, SY5□²⁰₆₀, SY7□²⁰₆₀

Dimensions SY3000 becomes 6.5 mm longer
SY5000 and SY7000 becomes 10 mm longer.

External pilot port

Series	Port size
SY3000	M3 x 0.5
SY ⁵ 000	M5 x 0.8

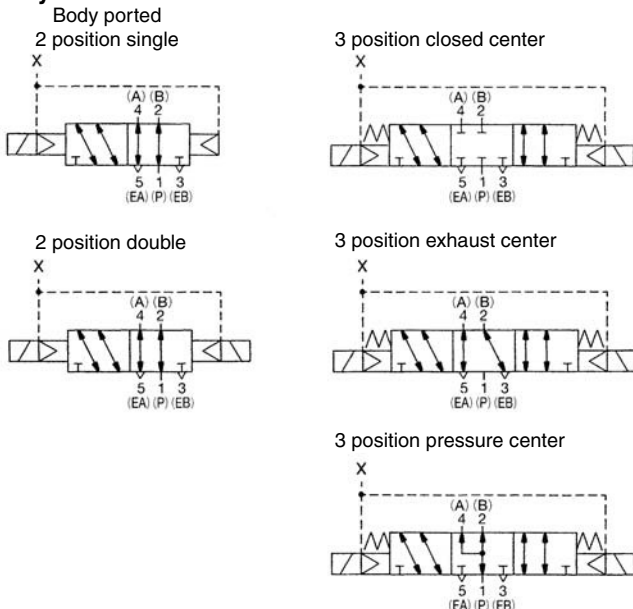
Dimensions: For SY3□⁶⁰, SY5□⁶⁰, SY7□⁶⁰



Dimensions/External Pilot Port Position

Series	L1 dimensions	L2 dimensions
SY3000	41.5	6.5
SY5000	60.4	9
SY7000	71.9	9

JIS Symbol

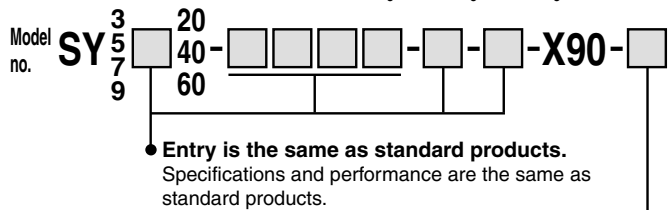


Main Valve Fluoro Rubber Specifications

Fluoro rubber is used for rubber parts of the main valve to allow use in applications such as the following.

- When using a lubricant other than the recommended turbine oil, and there is a possibility of malfunction due to swelling of the spool valve seals.

Applicable solenoid valves: Series SY3□²₀, SY5□²₀, SY7□²₀, SY9□²₀



Nil	—
Q	CE-compliant



Series SY Specific Product Precautions 1

Be sure to read before handling.

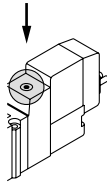
Refer to front matters 58 and 59 for Safety Instructions and pages 3 to 7 for 3/4/5 Port Solenoid Valve Precautions.

Manual Override Operation

Warning

Non-locking push type [Standard]

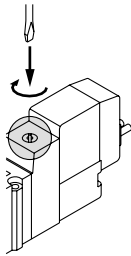
Press in the direction of the arrow



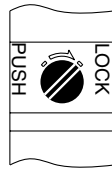
Push-turn locking slotted type [Type D]

While pressing, turn in the direction of the arrow.

If it is not turned, it can be operated the same way as the non-locking type.



Locked position



Caution

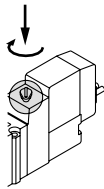
When operating the locking type D with a screw driver, turn it gently using a watchmakers screw driver.

[Torque: Less than 0.1 N·m]

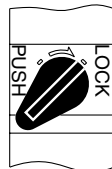
Push-turn locking lever type [Type E]

While pressing, turn it the direction of the arrow.

If it is not turned, it can be operated the same way as the non-locking type.



Locked position



Caution

When locking the manual override on the push-turn locking types (D, E), be sure to push it down before turning.

Turning without first pushing it down can cause damage to the manual override and trouble such as air leakage, etc.

Solenoid Valve for 200, 220 VAC Specifications

Warning

Solenoid valves with grommet and L/M type plug connector AC specifications have a built-in rectifier circuit in the pilot section to operate the DC coil.

With 200 V, 220 VAC specification pilot valves, this built-in rectifier generates heat when energized. The surface may become hot depending on the energized condition; therefore, do not touch the solenoid valves.

Exhaust Throttle

Caution

With series SY, the pilot valve and main valve share a common exhaust inside the valve. Therefore, do not block the exhaust port when arranging the piping.

Series SY3000/5000/7000/9000 Used as a 3-Port Valve

Caution

In case of using a 5-port valve as a 3-port valve

Series SY3000/5000/7000/9000 can be used as normally closed (N.C.) or normally open (N.O.) 3-port port valves by closing one of the cylinder ports (A or B) with a plug. However, they should be used with the exhaust ports kept open. (Refer to pages 318 to 323 for dedicated 3-port solenoid valve.)

Plug position		B port	A port
Configuration		N.C.	N.O.
Number of solenoids	Single		
	Double		

SJ

SY

SV

SYJ

SZ

VP4

S0700

VQ

VQ4

VQ5

VQC

VQZ

SQ

VFS

VFR

VQ7



Series SY Specific Product Precautions 2

Be sure to read before handling.

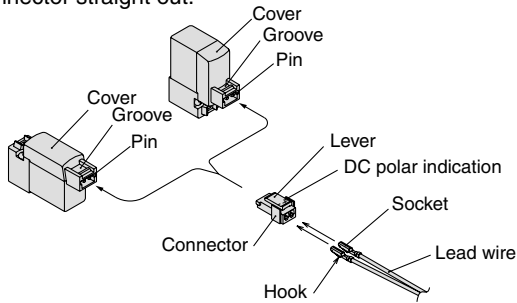
Refer to front matters 58 and 59 for Safety Instructions and pages 3 to 7 for 3/4/5 Port Solenoid Valve Precautions.

How to Use Plug Connector

⚠ Caution

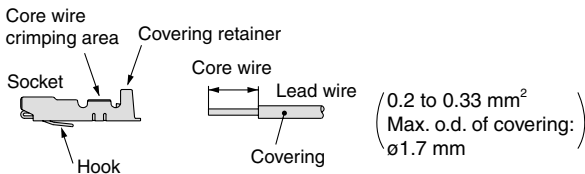
1. Attaching and detaching connectors

- To attach a connector, hold the lever and connector unit between your fingers and insert straight onto the pins of the solenoid valve so that the lever's pawl is pushed into the groove and locks.
- To detach a connector, remove the pawl from the groove by pushing the lever downward with your thumb, and pull the connector straight out.



2. Crimping connection of lead wire and socket

Strip 3.2 to 3.7 mm at the end of lead wires, insert the end of the core wires evenly into the sockets, and then crimp it by a crimping tool. When this is done, take care that the coverings of the lead wires do not enter the core wire crimping area. (Crimping tool: Model no. DXT170-75-1)



3. Attaching and detaching lead wires with sockets

• Attaching

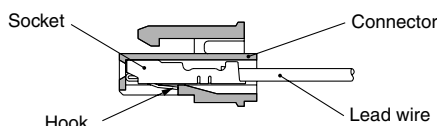
Insert the sockets into the square holes of the connector (+, - indication), and continue to push the sockets all the way in until they lock by hooking into the seats in the connector.

(When they are pushed in, their hooks open and they are locked automatically.) Then confirm that they are locked by pulling lightly on the lead wires.

• Detaching

To detach a socket from a connector, pull out the lead wire while pressing the socket's hook with a stick having a thin tip (approx. 1 mm).

If the socket will be used again, first spread the hook outward.



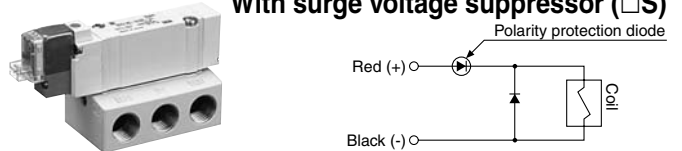
Surge Voltage Suppressor

⚠ Caution

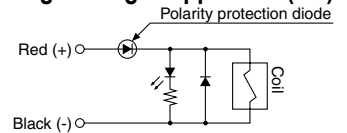
<For DC>

Grommet, L/M Plug Connector

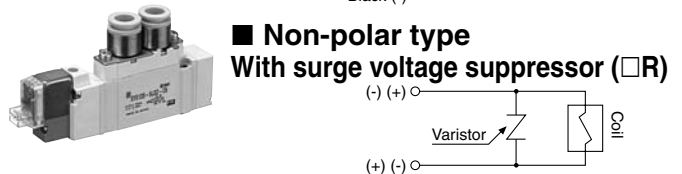
■ Standard type (With polarity) With surge voltage suppressor (□S)



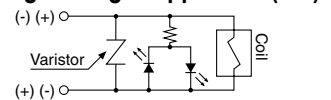
With light/surge voltage suppressor (□Z)



■ Non-polar type With surge voltage suppressor (□R)



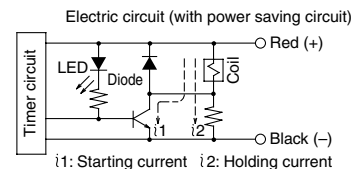
With light/surge voltage suppressor (□U)



- Connect the standard type in accordance with the +, - polarity indication. (The non-polar type can be used with the connections made either way.)
- Since voltage specifications other than standard 24 V and 12 VDC do not have diodes for polarity protection, be careful not to make errors in the polarity.
- Please use caution regarding the allowable voltage fluctuation because there is about a 1 volt drop for a valve with polarity protection. (For details, refer to the solenoid specifications for the individual valve.)
- When wiring is done at the factory, positive (+) is red and negative (-) is black.

■ With power saving circuit

Power consumption is decreased by 1/4 by reducing the wattage required to hold the valve in an energized state. (Effective energizing time is over 62 ms at 24 VDC.)

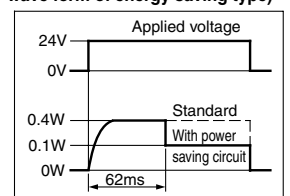


Operating Principle

With the above circuit, the current consumption when holding is reduced to save energy. Please refer to the electric wave data below.

- Please be careful not to reverse the polarity, since a diode to prevent the reversed current is not provided for the power saving circuit.
- Please use caution regarding the allowable voltage fluctuation because there is about a 0.5 volt drop due to the transistor. (For details, refer to the solenoid specifications for the individual valve.)

(In the case of SY^{3/4}OT, the electric wave form of energy saving type)





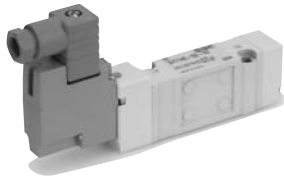
Series SY Specific Product Precautions 3

Be sure to read before handling.

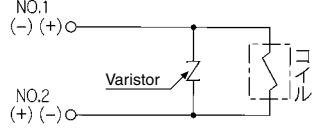
Refer to front matters 58 and 59 for Safety Instructions and pages 3 to 7 for 3/4/5 Port Solenoid Valve Precautions.

Surge Voltage Suppressor

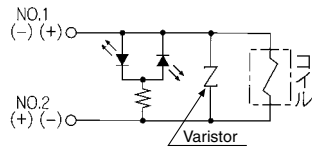
DIN Terminal



With surge voltage suppressor (DS)



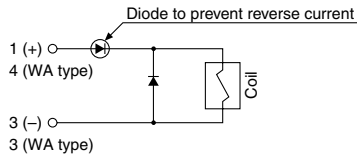
With light/surge voltage suppressor (DZ)



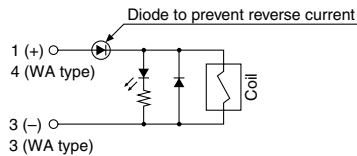
DIN terminal has no polarity.

M8 Connector

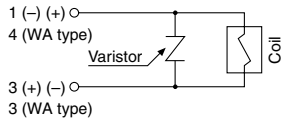
Standard type (without polarity) With surge voltage suppressor (□S)



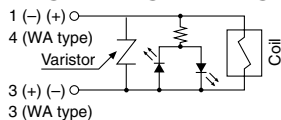
With light/surge voltage suppressor (□Z)



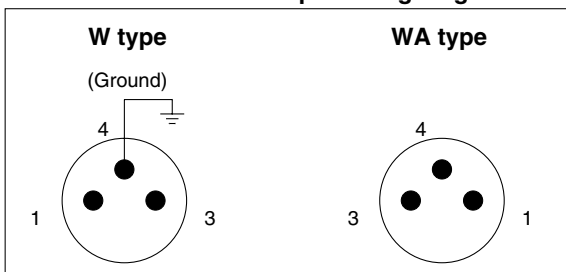
Non-polar type With surge voltage suppressor (□R)



With light/surge voltage suppressor (□U)



Solenoid valve side pin wiring diagram

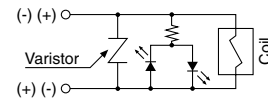


M8 Connector

- For the standard type, connect + to 1 and - to 3 for Type VA according to polarity, while + to 4 and - to 3 for Type WA.
- For DC voltages other than 12 V and 24 V, incorrect wiring will cause damage to the surge suppressor circuit.
- Please use caution regarding the allowable voltage fluctuation because there is about a 1 volt drop for a valve with polarity protection. (For details, refer to the solenoid specifications for the individual valve.)
- The WA-type valve cannot be grounded.

Plug-in

Circuit for non-polar (FU)



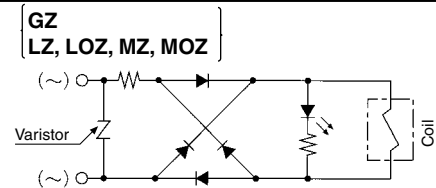
Plug-in valve has no polarity, so its possible to use for both manifold bases for positive (SS5Y₃-45□) and negative its common (SS5Y₃-45N□) types.

<For AC>

(There is no "S" option, because the generation of surge voltage is prevented by a rectifier.)

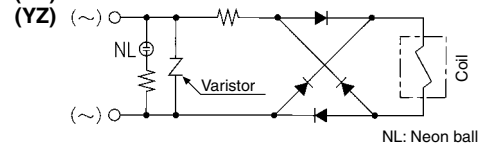
Grommet, L/M Plug Connector

With light



DIN Terminal

With light (DZ)



Note) Surge voltage suppressor of varistor has residual voltage corresponding to the protective element and rated voltage; therefore, protect the controller side from the surge voltage. The residual voltage of the diode is approximately 1 V.

- SJ
- SY
- SV
- SYJ
- SZ
- VP4
- S0700
- VQ
- VQ4
- VQ5
- VQC
- VQZ
- SQ
- VFS
- VFR
- VQ7



Series SY Specific Product Precautions 4

Be sure to read before handling.

Refer to front matters 58 and 59 for Safety Instructions and pages 3 to 7 for 3/4/5 Port Solenoid Valve Precautions.

Plug Connector Lead Wire Length

⚠ Caution

Standard length is 300mm, but the following lengths are also available.

How to Order Connector Assembly

For DC: **SY100-30-4A** - □

For 100 VAC: **SY100-30-1A** - □

For 200 VAC: **SY100-30-2A** - □

For other voltages of AC: **SY100-30-3A** - □

Without lead wire: **SY100-30-A**

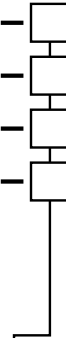
(with connector and 2 of sockets only)

• How to Order

Specify the part numbers of the solenoid valve without connector and the connector assembly with protective cover separately.

<Example> Lead wire length 2000 mm

For DC	For AC
SY3120-5LO-M5	SY3120-1LO-M5
SY100-30-4A-20	SY100-30-1A-20



● Lead wire length

Nil	300 mm
6	600 mm
10	1000 mm
15	1500 mm
20	2000 mm
25	2500 mm
30	3000 mm
50	5000 mm

How to Use DIN Terminal

⚠ Caution

Connection

1. Loosen the holding screw and pull the connector out of the solenoid valve terminal block.
2. After removing the holding screw, insert a flat head screwdriver, etc. into the notch on the bottom of the terminal block and pry it open, separating the terminal block and the housing.
3. Loosen the terminal screws (slotted screws) on the terminal block, insert the cores of the lead wires into the terminals according to the connection method, and fasten them securely with the terminal screws.
4. Secure the cord by fastening the ground nut.

⚠ Caution

When making connections, take note that using other than the supported size ($\phi 3.5$ to $\phi 7$) heavy duty cord will not satisfy IP65 (enclosure) standards. Also, be sure to tighten the ground nut and holding screw within their specified torque ranges.

Changing the entry direction

After separating the terminal block and housing, the cord entry can be changed by attaching the housing in the desired direction (4 directions at 90° intervals).

* When equipped with a light, be careful not to damage the light with the cord's lead wires.

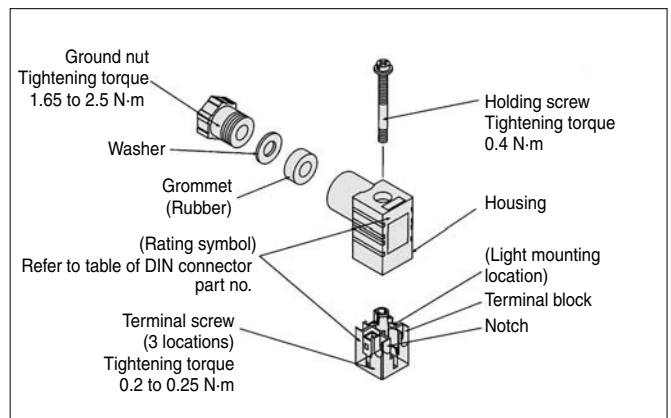
Precautions

Plug in and pull out the connector vertically without tilting to one side.

Compatible cable

Cord O.D.: $\phi 3.5$ to $\phi 7$

(Reference) 0.5mm², 2-core or 3-core, equivalent to JIS C 3306



Type "Y"

DIN connector type Y is a DIN connector that conforms to the DIN pitch 8-mm standard.

- D type DIN connector with 9.4 mm pitch between terminals is not interchangeable.
- To distinguish from the D type DIN connector, "N" is listed at the end of voltage symbol. (For connector parts without lights, "N" is not indicated. Please refer to the name plate to distinguish.)
- Dimensions are completely the same as D type DIN connector.
- When exchanging the pilot valve assembly only, "SY115-□D" is interchangeable with "SY115-□Y". Do not replace SY114 (G, L, M) to SY115-□D/□Y (DIN terminal), and vice versa.



Series SY Specific Product Precautions 5

Be sure to read before handling.

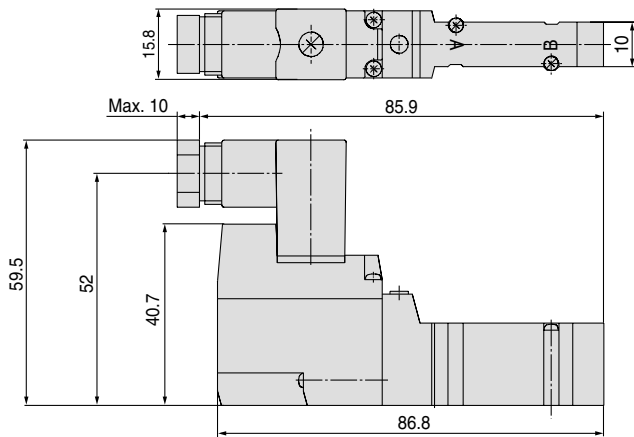
Refer to front matters 58 and 59 for Safety Instructions and pages 3 to 7 for 3/4/5 Port Solenoid Valve Precautions.

Series SY300, SY3000 How to Use DIN Terminal Connector

⚠ Caution

- SMC can provide a DIN style terminal connector (body ported type, sub-plate type) for the series SY300 and SY3000. This cannot be assembled to a standard manifold since the DIN connector width (15.8mm) exceeds that of the valve body (10mm). Contact SMC if you wish to use with a manifold. Please also note: that bracket F1 cannot be mounted.

* The external pilot type is not available.



DIN Connector Part No.

⚠ Caution

<Type D>

Without light	SY100-61-1
---------------	------------

With light

Rated voltage	Voltage symbol	Part no.
24 VDC	24 V	SY100-61-3-05
12 VDC	12 V	SY100-61-3-06
100 VAC	100 V	SY100-61-2-01
200 VAC	200 V	SY100-61-2-02
110 VAC	110 V	SY100-61-2-03
220 VAC	220 V	SY100-61-2-04

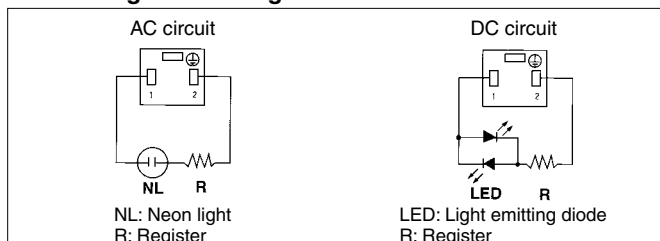
<Type Y>

Without light	SY100-82-1
---------------	------------

With light

Rated voltage	Voltage symbol	Part no.
24 VDC	24 VN	SY100-82-3-05
12 VDC	12 VN	SY100-82-3-06
100 VAC	100 VN	SY100-82-2-01
200 VAC	200 VN	SY100-82-2-02
110 VAC (115 VAC)	110 VN	SY100-82-2-03
220 VAC (230 VAC)	220 VN	SY100-82-2-04

Circuit Diagram with Light



Connector Assembly with Cover

⚠ Caution

Connector assembly with dust proof protective cover.

- Effective to prevention of short circuit failure due to the entry of foreign matter into the connector.
- Chloroprene rubber for electrical use, which provides outstanding weather resistance and electrical insulation, is used for the cover material. However, do not allow contact with cutting oil, etc.
- Simple and unencumbered appearance by adopting round-shaped cord.

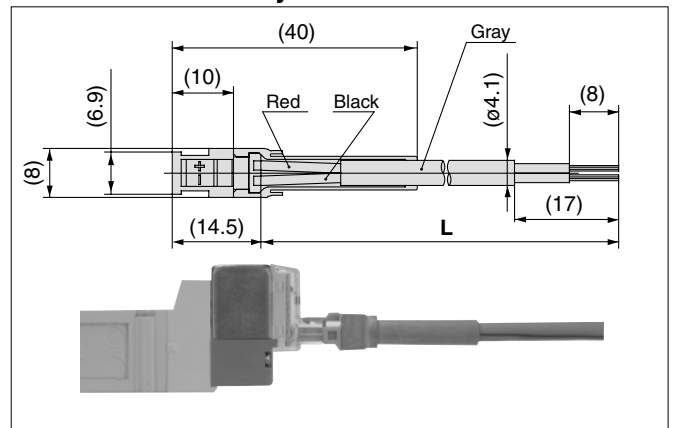
How to Order

SY100-68-A -

• Lead wire length (L)

Nil	300 mm
6	600 mm
10	1000 mm
15	1500 mm
20	2000 mm
25	2500 mm
30	3000 mm
50	5000 mm

Connector Assembly with Cover: Dimensions



How to Order

Enter the part number for a plug connector solenoid valve without connector together with the part number for a connector assembly with cover.

<Example 1> Lead wire length of 2000 mm

SY3120-5LOZ-M5
SY100-68-A-20

<Example 2> Lead wire length of 300 mm (standard)

SY3120-5LPZ-M5

Symbol for connector assembly with cover

* In this case, the part number for the connector assembly with cover is not required.



Series SY Specific Product Precautions 6

Be sure to read before handling.

Refer to front matters 58 and 59 for Safety Instructions and pages 3 to 7 for 3/4/5 Port Solenoid Valve Precautions.

Plug-in

⚠ Caution

■ When using a double solenoid valve (Dual body type: SY³₅245-□FU) on the plug-in style manifold (SS5Y³₅-45(N)□), two manifold stations are required per valve.

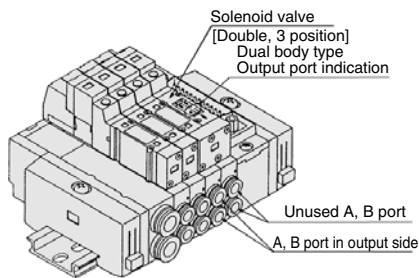
Output to A/B ports will be made through the manifold block on the side indicated by an arrow on the top of the solenoid valve. Therefore, arrange the piping on the side indicated by the arrow.

Although the “T” side will not be used, plugs will not be necessary since it is sealed with the valve.

(However, insert a plug into the A/B ports if dust intrusion is possible. Refer to page 275.)

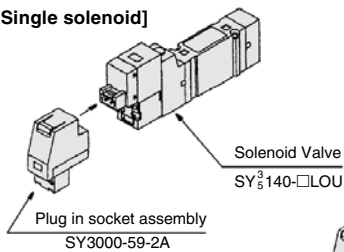
Manifold valve

SS5Y³₅-45 (N)□

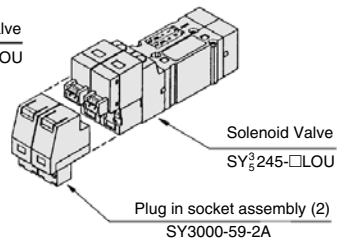


Plug-in type solenoid valves consist of a non-polar solenoid valve and a plug-in socket. When ordering them separately, refer to the following part numbers.

[Single solenoid]



[Double, 3 position] Dual body type



Note) Using a valve other than a non-polar type may cause trouble.

DIN Rail for Series SY7000/9000

⚠ Caution

The DIN rail used with Series SY7000 and SY9000 is stronger than that used with Series SY3000 and SY5000. Use this exclusive DIN rail with Series SY7000 and SY9000. Furthermore, if using a DIN rail other than that supplied by SMC, refer to the manifold mounting section below, and mount using the same method as prescribed for side facing and rear facing, regardless of the mounting orientation.

Manifold Mounting

⚠ Caution

For Type 23, 43, 45, 45□ and 60 DIN rail mounting, when attaching a manifold to a mounting surface, etc., with bolts, if the entire bottom surface of the DIN rail contacts the mounting surface in a horizontal mounting, it can be used by simply securing both ends of the DIN rail. However, for any other mounting method or for side facing and rear facing, etc., secure the DIN rail with bolts at uniform intervals using the following as a guide: 2 to 5 stations at 2 locations, 6 to 10 stations at 3 locations, 11 to 15 stations at 4 locations, and 16 to 20 stations at 5 locations. In addition, even in the case of a horizontal mounting, if the mounting surface is subject to vibration, etc., take the same measures indicated above. If secured at fewer than the specified number of locations, warping or twisting may occur in the DIN rail and manifold, causing trouble such as air leakage.

Also, when using mounting screws for the DIN rail on the bottom side (L3 dimension in the dimension table) of the manifold valve body, the height of the screw head has to be as follows.

Type 23, 43 (SY9000): 8 mm or less

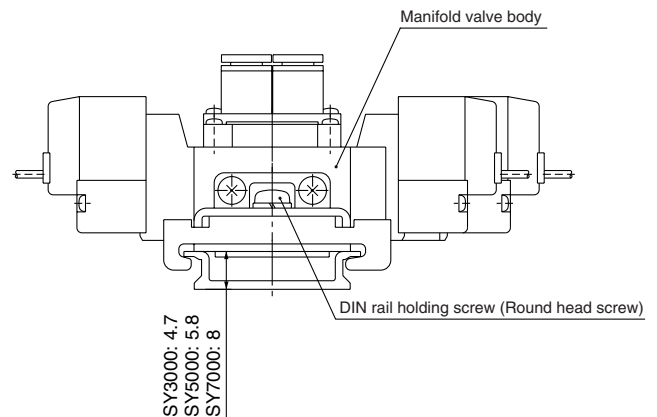
Type 45 (SY3000, 5000): 5.8 mm or less

For type 60:

SY3000: 4.7 mm or less

SY5000: 5.8 mm or less

SY7000: 8 mm or less



[This is the case for type 60.]



Series SY Specific Product Precautions 7

Be sure to read before handling.

Refer to front matters 58 and 59 for Safety Instructions and pages 3 to 7 for 3/4/5 Port Solenoid Valve Precautions.

One-touch Fittings

⚠ Caution

The pitch determined for each of the series SY piping ports (P, A, B, etc.) is based on the assumption that series KJ one-touch fittings will be used. For this reason, other pipe fittings may interfere with each other depending on their type and size. Dimensions should be confirmed in a pipe fitting catalog before they are used.

• Tubing attachment/detachment for One-touch fittings

1) Attaching of tubing

1. Take a tubing having no flaws on its periphery and cut it off at a right angle. When cutting the tubing, use tubing cutters TK-1, 2 or 3. Do not use pinchers, nippers or scissors, etc. If cutting is done with tools other than tubing cutters, the tubing may be cut diagonally or become flattened, etc., making a secure installation impossible, and causing problems such as the tubing pulling out after installation or air leakage. Allow some extra length in the tubing.
2. Grasp the tubing and push it in slowly, inserting it securely all the way into the fitting.
3. After inserting the tubing, pull on it lightly to confirm that it will not come out. If it is not installed securely all the way into the fitting, this can cause problems such as air leakage or the tubing pulling out.

2) Detaching of tubing

1. Push in the release button sufficiently, pushing its collar equally around the circumference.
 2. Pull out the tubing while holding down the release button so that it does not come out. If the release button is not pressed down sufficiently, there will be increased bite on the tubing and it will become more difficult to pull it out.
 3. When the removed tubing is to be used again, cut off the portion which has been chewed before reusing it. If the chewed portion of the tubing is used as is, this can cause trouble such as air leakage or difficulty in removing the tubing.
- The pitch determined for each of the series SY piping ports (A, B, etc.) is based on the assumption that series KJ one-touch fittings will be used. For this reason, other pipe fittings may interfere with each other depending on their type and size. Dimensions should be confirmed in a pipe fitting catalog before they are used.

Other Tubing Brands

⚠ Caution

1. When using other than SMC brand tubing, confirm that the following specifications are satisfied with respect to the outside diameter tolerance of the tubing.

- | | |
|------------------------|---|
| 1) Nylon tubing | within ± 0.1 mm |
| 2) Soft nylon tubing | within ± 0.1 mm |
| 3) Polyurethane tubing | within $+0.15$ mm,
within -0.2 mm. |

Do not use tubing which do not meet these outside diameter tolerances. It may not be possible to connect them, or they may cause other trouble, such as air leakage or the tubing pulling out after connection.

M8 Connector

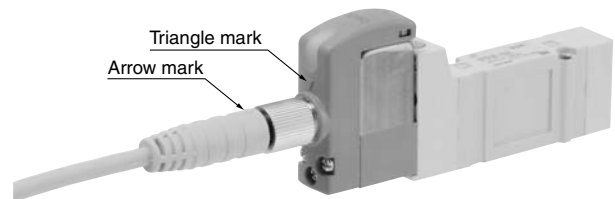
⚠ Caution

1. M8 connector types have an IP65 (enclosure) rating, offering protection from dust and water. However please note: these products are not intended for use in water. Select a SMC connector cable (V100-49-1-□) or a FA sensor type connector, with M8 threaded 3 pin specifications conforming to Nippon Electric Control Equipment Association Standard, NECA4202 (IEC60947-5-2). Make sure the connector O.D. is 10.5mm or less when used with the Series SY3000 manifold. If more than 10.5mm, it cannot be mounted due to the size.
2. Do not use a tool to mount the connector, as this may cause damage. Only tighten by hand. (0.4 to 0.6 N·m)
3. The excessive stress on the cable connector will not be able to satisfy the IP65 rating. Please use caution and do not apply a stress of 30 N or greater.

⚠ Caution

Failure to meet IP65 performance may result if using alternative connectors than those shown above, or when insufficiently tightened.

Connector cable mounting



Note) Connector cable should be mounted in the correct direction.

Make sure that the arrow symbol on the connector is facing the triangle symbol on the valve when using SMC connector cable (V100-49-1-□).

Be careful not to squeeze it in the wrong direction, as problems such as pin damage may occur.

SJ

SY

SV

SYJ

SZ

VP4

S0700

VQ

VQ4

VQ5

VQC

VQZ

SQ

VFS

VFR

VQ7



Series SY Specific Product Precautions 8

Be sure to read before handling.

Refer to front matters 58 and 59 for Safety Instructions and pages 3 to 7 for 3/4/5 Port Solenoid Valve Precautions.

M8 Connector

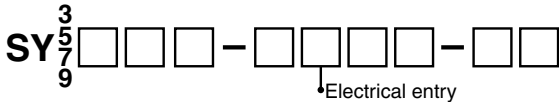
⚠ Caution

■ Connector cable

- Connector cable for M8 can be ordered as follows:

How to Order

- To order solenoid valve and connector cable at the same time.
(Connector cable will be included in the shipment of the solenoid valve.)



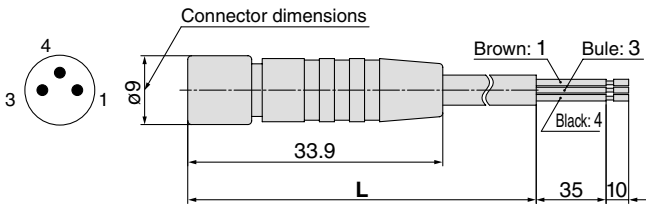
- W1, WA1: Cable length 300 mm
- W2, WA2: Cable length 500 mm
- W3, WA3: Cable length 1000 mm
- W4, WA4: Cable length 2000 mm
- W7, WA7: Cable length 5000 mm

Ex. 1) Cable length: 300mm

SY312-5W1ZE-C4

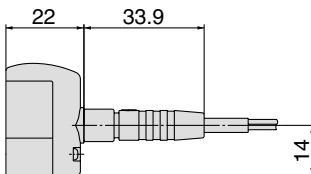
Symbol for electrical entry

- To order connector cable only



Cable length (L)	Part no.
300 mm	V100-49-1-1
500 mm	V100-49-1-2
1000 mm	V100-49-1-3
2000 mm	V100-49-1-4
5000 mm	V100-49-1-7

[Dimensions when installed]



Solenoid Valve Mounting

⚠ Caution

Mount it so that there is no slippage or deformation in gaskets, and tighten with the tightening torque as shown below.

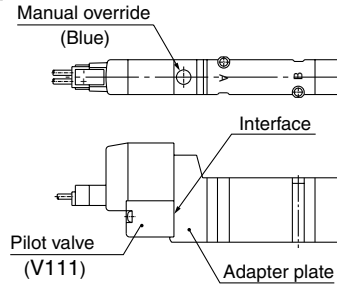
Model	Thread size	Tightening torque
SY3000	M2	0.16 N·m
SY5000	M3	0.8 N·m
SY7000	M4	1.4 N·m
SY9000	M3	0.8 N·m

Replacement of Pilot Valve

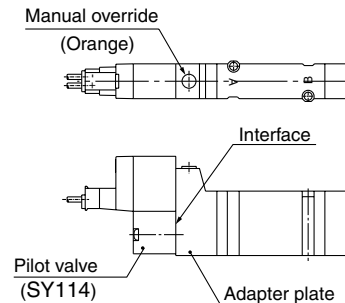
⚠ Caution

Pilot valves in this series are improved to provide excellent energy saving results. However following this improvement, these new valves are no longer compatible with the conventional pilot valve used at the interface. Consult with SMC when you need to exchange these pilot valves, in the case of manual override (marked in orange) of the adapter plate.

New type



Conventional type





Series SY Specific Product Precautions 9

Be sure to read before handling.

Refer to front matters 58 and 59 for Safety Instructions and pages 3 to 7 for 3/4/5 Port Solenoid Valve Precautions.

Interface Regulator

Caution

Specifications

Interface regulator model	ARBY3000-□-P-2	ARBY3000-□-A ¹ _{B1} -2	ARBY5000-□-P-2	ARBY5000-□-A ¹ _{B1} -2	ARBY7000-□-P-2	ARBY7000-□-A ¹ _{B1} -2		
Applicable solenoid valve model	SY3□40(R)			SY5□40(R)				
Regulated port	P	A	B	P	A	B		
Set pressure range	0.1 to 0.7 MPa							
Maximum operating pressure	0.7 MPa							
Fluid	Air							
Ambient and fluid temperature	Max. 50°C							
Connection port of pressure gauge	M5 x 0.8							
Mass W (g)	With pressure gauge	46 g (05), 50 g (06)			66.8 g		110.8 g	
	With plug	20 g			60.4 g		103.2 g	
Supply side effective area ^(Note 3)	P→A,B			—		—		
Exhaust side effective area ^(Note 3)	A,B→EA,EB			4.05 mm ²		3.91 mm ²		
	—			2.45 mm ²		—		
	—			11.1 mm ²		10.1 mm ²		
	—			7.61 mm ²		13.54 mm ²		
	—			15.71 mm ²		15.71 mm ²		

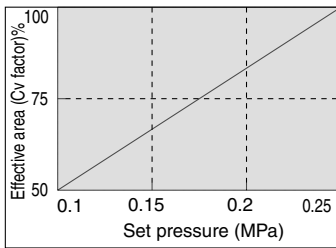
Note 1) Pressurize the interface regulator from P port on the base.

Note 2) With closed center and pressure center valves, the pressure can be regulated through P port only.

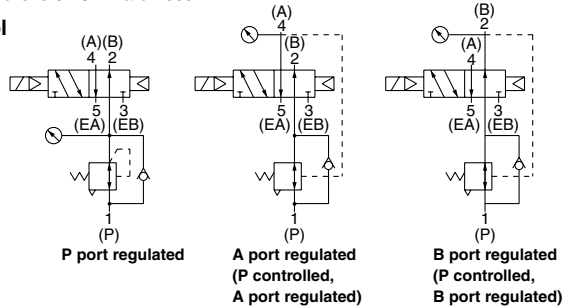
Note 3) Effective area, excluding the regulated port, when a primary pressure of 0.5 MPa is supplied with regulators mounted on the solenoid valves (2 positions) and sub-plate. Refer to "Flow Characteristics" regarding the regulated port.

Note 4) Valves for weight include gasket and mounting screws.

Note 5) With A, B ports regulated (P port controlled A, B ports regulated), the effective area (Cv factor) for the regulated port and unregulated passage (P to B or P to A) decreases as shown in the graph below when the set pressure is 0.25 MPa or less.

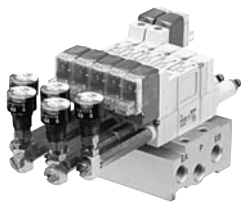


JIS Symbol



How to Order Interface Regulator

ARBY3000 - 05 - P - 2



- Regulated port

P	P port
A1	A port (P controlled, A port regulated)
B1	B port (P controlled, B port regulated)
- Pressure gauge connection port

05	Pressure gauge (G15-10-01) [for odd number stations]
06	Pressure gauge (G15-10-01) [for even number stations]
M1	Plug (M-5P)

Note) For series ARBY3000 with pressure gauge, note that the part numbers for odd number and even number stations differ to prevent interference between the pressure gauges when installing on the manifold.

ARBY5000 - 00 - P - 2

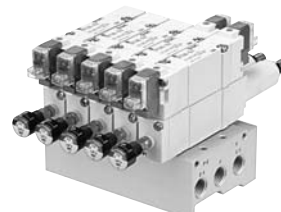


- Regulated port

P	P port
A1	A port (P controlled, A port regulated)
B1	B port (P controlled, B port regulated)
- Pressure gauge connection port

00	Pressure gauge (G15-10-01)
M1	Plug (M-5P)

ARBY7000 - 00 - P - 2



- Regulated port

P	P port
A1	A port (P controlled, A port regulated)
B1	B port (P controlled, B port regulated)
- Pressure gauge connection port

00	Pressure gauge (G15-10-01)
M1	Plug (M-5P)

SJ
SY
SV
SYJ
SZ
VP4
S0700
VQ
VQ4
VQ5
VQC
VQZ
SQ
VFS
VFR
VQ7



Series SY Specific Product Precautions 10

Be sure to read before handling.

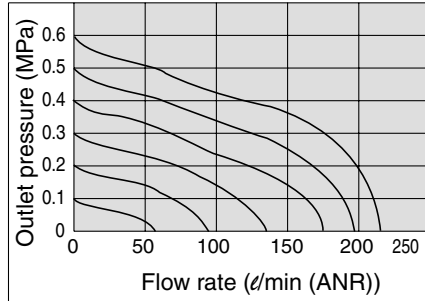
Refer to front matters 58 and 59 for Safety Instructions and pages 3 to 7 for 3/4/5 Port Solenoid Valve Precautions.

Flow Characteristics

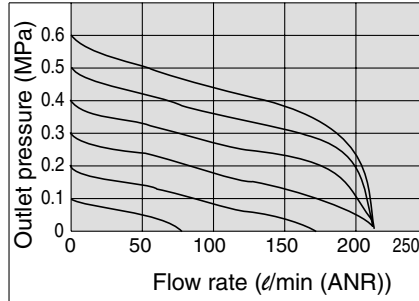
(Conditions: Inlet pressure 0.7 MPa when 2 position solenoid valve is mounted.)

ARBY3000

P port regulated (P→A, B)

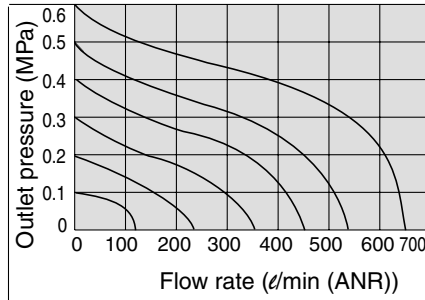


A1 port regulated (P→A),
B1 port regulated (P→B)

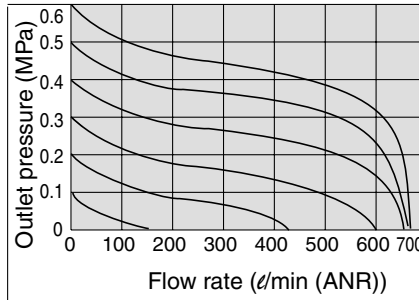


ARBY5000

P port regulated (P→A, B)

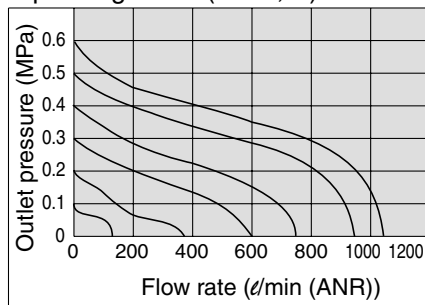


A1 port regulated (P→A),
B1 port regulated (P→B)

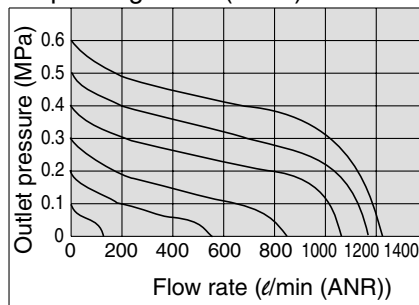


ARBY7000

P port regulated (P→A, B)



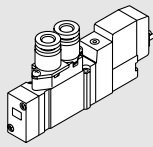
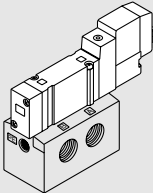
A1 port regulated (P→A),
B1 port regulated (P→B)



Series 10-SY3000/5000/7000/9000

5 Port Solenoid Valve

Series Variations

Series	Sonic conductance C[dm ³ /(s·bar)] { 4/2 — 5/3 (A/B — EA/EB) }	Type of actuation					Voltage		Electrical entry					Light/Surge voltage suppressor <small>(Note 1)</small>	
		2 position		3 position			DC 24V 12V 6V 5V 3V	AC 100V 50/60Hz 110V 50/60Hz 200V 50/60Hz 220V 50/60Hz	Grommet	L plug connector	M plug connector <small>(Note 3)</small>	DIN terminal	M8 connector		
		Single	Double	Closed center	Exhaust center	Pressure center									
Body ported 	P.362	10-SY3□20	0.65	●	●	●	●	●	●	●	●	●	●	●	●
		10-SY5□20	2.4	●	●	●	●	●	●	●	●	●	●	●	●
		10-SY7□20	3.3	●	●	●	●	●	●	●	●	●	●	●	●
		10-SY9□20	8.6	●	●	●	●	●	●	●	●	●	●	●	●
Base mounted 	P.378	10-SY3□40	1.1	●	●	●	●	●	●	●	●	●	●	●	●
		10-SY5□40	2.8	●	●	●	●	●	●	●	●	●	●	●	●
		10-SY7□40	4.5	●	●	●	●	●	●	●	●	●	●	●	●
		10-SY9□40	10	●	●	●	●	●	●	●	●	●	●	●	●

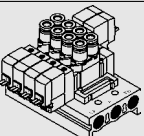
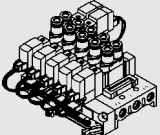
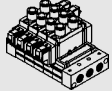
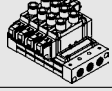
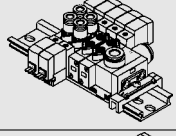
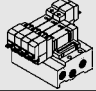
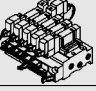
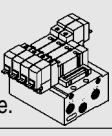
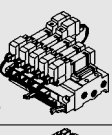
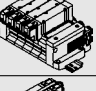
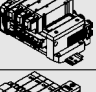


Series	Manual override			Bracket	P, EA, EB port size								A, B port size								Valve option													
	Non-locking push type	Push-turn locking slotted type	Push-turn locking lever type		M5	1/8	1/4	3/8	1/2	M5	1/8	1/4	3/8	1/2	One-touch fitting								Exhaust throttle <small>Oil resistant, other than designated turbine oil</small>	Vacuum specifications	Low pressure specifications	External pilot	Enclosure IP 65 <small>(Note 2)</small>							
															C4	C6	C8	C10	C12	N3	N7	N9						N11						
Body ported	10-SY3□20	●	●	●	●	—	—	—	—	●	—	—	—	—	●	●	—	—	—	—	—	—	—	—	—	—	—	—	—	—	—	—		
	10-SY5□20	●	●	●	●	—	●	—	—	—	●	—	—	—	●	●	—	—	—	—	—	—	—	—	—	—	—	—	—	—	—	—		
	10-SY7□20	●	●	●	●	—	●	●	—	—	—	—	—	—	—	—	—	—	—	—	—	—	—	—	—	—	—	—	—	—	—	—	—	
	10-SY9□20	●	●	●	—	—	—	—	—	—	—	—	—	—	—	—	—	—	—	—	—	—	—	—	—	—	—	—	—	—	—	—	—	
Base mounted	10-SY3□40	●	●	●	—	—	—	—	—	—	—	—	—	—	—	—	—	—	—	—	—	—	—	—	—	—	—	—	—	—	—	—	—	
	10-SY5□40	●	●	●	—	—	—	—	—	—	—	—	—	—	—	—	—	—	—	—	—	—	—	—	—	—	—	—	—	—	—	—	—	—
	10-SY7□40	●	●	●	—	—	—	—	—	—	—	—	—	—	—	—	—	—	—	—	—	—	—	—	—	—	—	—	—	—	—	—	—	—
	10-SY9□40	●	●	●	—	—	—	—	—	—	—	—	—	—	—	—	—	—	—	—	—	—	—	—	—	—	—	—	—	—	—	—	—	—

Note 1) All AC voltage models have built-in surge voltage suppressor.
 Note 2) Only available for DIN terminal and M8 connector.
 Note 3) DIN terminal is not available for 10-SY3000. (Refer to page 488.)



Air cylinder
 Rotary actuator
 Air gripper
 Directional control valve
 Flow control equipment
 Filter, Pressure control equipment
 Fittings & Tubing
 Air preparation equipment
 Pressure switch
 Clean gas filter

Manifold Variations

Manifold variations		Valve series	Wiring							
			Connection			Common specifications				
			Individual wiring	Flat ribbon cable (26 pins)	Flat ribbon cable (20 pins) connector box	PC wiring system	Positive common	Negative common		
		5 port								
Body ported	Bar stock type Individual wiring ■ Direct piping to the main unit of a valve. Combination of different fittings is possible.		Type 20	10-SY3□20	●	—	—	—	—	—
			P.394	10-SY5□20	—	—	—	—	—	—
				10-SY7□20	—	—	—	—	—	—
	Bar stock type Flat ribbon cable ■ A 26 pins MIL connector permits One-touch wiring of external cables in a bundle.		Type 20P	10-SY3□20	—	●	—	—	●	In common
			P.404	10-SY5□20	—	—	—	—	—	
				10-SY7□20	—	—	—	—	—	
	Stacking type Individual wiring ■ Manifold stations can be increased.		Type 23	10-SY9□20	●	—	—	—	—	—
			P.400							
	Stacking type Flat ribbon cable ■ Manifold stations can be increased.		Type 23P	10-SY9□20	—	●	—	—	●	In common
			P.410							
	Cassette type Individual wiring Size and weight reduced by eliminating the manifold base		Type 60	10-SY3□60	●	—	—	—	—	—
			P.415	10-SY5□60	●	—	—	—	—	—
			10-SY7□60	●	—	—	—	—	—	
Base mounted	Compact bar stock type Individual wiring ■ The base mounting facilitates maintenance after valves are changed.		Type 41	10-SY3□40	●	—	—	—	—	
			P.428	10-SY5□40	—	—	—	—	—	
	Compact bar stock type Flat ribbon cable ■ A 26 pins MIL connector permits One-touch wiring of external cables in a bundle.		Type 41P	10-SY3□40	—	●	—	—	●	In common
			P.444	10-SY5□40	—	—	—	—	—	
	Bar stock type/Common external EXH Individual wiring ■ The base mounting facilitates maintenance after valves are changed. Vacuum/low pressure combination system is possible.		Type 42	10-SY3□40	●	—	—	—	—	—
			P.428	10-SY5□40	—	—	—	—	—	—
				10-SY7□40	—	—	—	—	—	—
	Bar stock type/Common external EXH Flat ribbon cable ■ A 26 pins MIL connector permits One-touch wiring of external cables in a bundle. ■ Vacuum/low pressure combination system is possible.		Type 42P	10-SY3□40	—	●	—	—	●	In common
			P.444	10-SY5□40	—	—	—	—	—	
				10-SY7□40	—	—	—	—	—	
	Stacking type Individual wiring ■ Manifold stations can be increased.		Type 43	10-SY9□40	●	—	—	—	—	—
			P.438							
Stacking type Flat ribbon cable ■ Manifold stations can be increased.		Type 43P	10-SY9□40	—	●	—	—	●	In common	
		P.452								
Stacking type/DIN rail mounted Individual wiring ■ Stations can be increased on the DIN rail. Integral mounting of other electric parts is possible, too.		Type 45	10-SY3□40	●	—	—	—	—	—	
		P.460	10-SY5□40	—	—	—	—	—	—	
Stacking type/DIN rail mounted Connector box ■ Stations can be increased on the DIN rail. The provided connector box permits one-touch connection of electric cables.		Type 45-A	10-SY3□40	—	—	●	●	●	●	
		P.468	10-SY5□40	—	—	—	—	—	—	

●Standard ●Option ▲Made-to-order (Refer to page "Made-to-Order".)

Manifold Variations

Manifold option						A, B port size								Valve option																									
Blanking plate	SUP Individual spacer	EXH Individual spacer	SUP Block disk	EXH Block disk	Label for block disk	M5	1/8	1/4	3/8	One-touch fitting								SY3000 SY5000	Mixed mounting	Oil resistant (Other than designated turbine oil)	Vacuum specifications	Low pressure specifications	Different pressure	External pilot	Exhaust throttle	Bundle wiring	Mixed fitting sizes	IP65 enclosure											
										C4	C6	C8	C10	C12	N3	N7	N9												N11										
●	●	●	—	—	—	●	—	—	—	●	●	—	—	—	●	●	—	—	—	▲	—	—	●	—	—	—	—	—	—	—	—	—	—	●	●	●	—	—	Note)
—	—	—	—	—	—	—	●	—	—	—	—	—	—	—	—	—	—	—	—	—	—	—	—	—	—	—	—	—	—	—	—	—	—	—	—	—	—	—	Note)
—	—	—	—	—	—	—	—	●	—	—	—	—	—	—	—	—	—	—	—	—	—	—	—	—	—	—	—	—	—	—	—	—	—	—	—	—	—	—	Note)
—	—	—	—	—	—	—	—	—	—	—	—	—	—	—	—	—	—	—	—	—	—	—	—	—	—	—	—	—	—	—	—	—	—	—	—	—	—	—	Note)
—	—	—	—	—	—	—	—	—	—	—	—	—	—	—	—	—	—	—	—	—	—	—	—	—	—	—	—	—	—	—	—	—	—	—	—	—	—	—	Note)
—	—	—	—	—	—	—	—	—	—	—	—	—	—	—	—	—	—	—	—	—	—	—	—	—	—	—	—	—	—	—	—	—	—	—	—	—	—	—	Note)
—	—	—	—	—	—	—	—	—	—	—	—	—	—	—	—	—	—	—	—	—	—	—	—	—	—	—	—	—	—	—	—	—	—	—	—	—	—	—	Note)
—	—	—	—	—	—	—	—	—	—	—	—	—	—	—	—	—	—	—	—	—	—	—	—	—	—	—	—	—	—	—	—	—	—	—	—	—	—	—	Note)
—	—	—	—	—	—	—	—	—	—	—	—	—	—	—	—	—	—	—	—	—	—	—	—	—	—	—	—	—	—	—	—	—	—	—	—	—	—	—	Note)
—	—	—	—	—	—	—	—	—	—	—	—	—	—	—	—	—	—	—	—	—	—	—	—	—	—	—	—	—	—	—	—	—	—	—	—	—	—	—	Note)
—	—	—	—	—	—	—	—	—	—	—	—	—	—	—	—	—	—	—	—	—	—	—	—	—	—	—	—	—	—	—	—	—	—	—	—	—	—	—	Note)
—	—	—	—	—	—	—	—	—	—	—	—	—	—	—	—	—	—	—	—	—	—	—	—	—	—	—	—	—	—	—	—	—	—	—	—	—	—	—	Note)
—	—	—	—	—	—	—	—	—	—	—	—	—	—	—	—	—	—	—	—	—	—	—	—	—	—	—	—	—	—	—	—	—	—	—	—	—	—	—	Note)
—	—	—	—	—	—	—	—	—	—	—	—	—	—	—	—	—	—	—	—	—	—	—	—	—	—	—	—	—	—	—	—	—	—	—	—	—	—	—	Note)
—	—	—	—	—	—	—	—	—	—	—	—	—	—	—	—	—	—	—	—	—	—	—	—	—	—	—	—	—	—	—	—	—	—	—	—	—	—	—	Note)
—	—	—	—	—	—	—	—	—	—	—	—	—	—	—	—	—	—	—	—	—	—	—	—	—	—	—	—	—	—	—	—	—	—	—	—	—	—	—	Note)
—	—	—	—	—	—	—	—	—	—	—	—	—	—	—	—	—	—	—	—	—	—	—	—	—	—	—	—	—	—	—	—	—	—	—	—	—	—	—	Note)

Note) When using DIN terminal or M8 connector.
There is no DIN terminal available for 10-SY3000.



Series 10-SY3000/5000/7000/9000

Body Ported
Valve Single Unit

How to Order

10—SY 5 1 20 □ 5 L □ □ 01 □ □

• Clean series

Series

3	10-SY3000
5	10-SY5000
7	10-SY7000
9	10-SY9000

Type of actuation

1	2 position single (A)(B) 4 2 (EA)(P)(EB)
2	2 position double (A)(B) 4 2 (EA)(P)(EB)
3	3 position closed center (A)(B) 4 2 (EA)(P)(EB)
4	3 position exhaust center (A)(B) 4 2 (EA)(P)(EB)
5	3 position pressure center (A)(B) 4 2 (EA)(P)(EB)

Coil specifications

Nil	Standard
T	With power saving circuit (24, 12 VDC only)

* Power saving circuit is not available in the case of "D", "DO" or "W□" type.

DC	
5	24 VDC
6	12 VDC
V	6 VDC
S	5 VDC
R	3 VDC

Rated voltage

AC (50/60 Hz) 50/60	
1	100 VAC
2	200 VAC
3	110 VAC [115 VAC]
4	220 VAC [230 VAC]

* DC specifications of type "D" and "DO" is only available with 12 and 24 VDC.
* For type "W□", DC voltage is only available.

Electrical entry

24, 12, 6, 5, 3 VDC / 100, 110, 200, 220 VAC				24, 12 VDC / 100, 110, 200, 220 VAC
Grommet	L plug connector	M plug connector	DIN terminal	
G: Lead wire length 300 mm 	L: With lead wire (Length 300 mm) 	M: With lead wire (Length 300 mm) 	MN: Without lead wire 	D: With connector
H: Lead wire length 600 mm 	LN: Without lead wire 	LO: Without connector 	MO: Without connector 	DO: Without connector

24, 12, 6, 5, 3 VDC

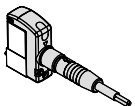
M8 connector

WO: Without connector cable



Note 1)

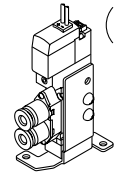
W□: With connector cable



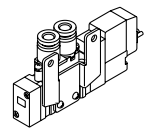
* "LN", "MN" type: with 2 sockets
* For DIN terminal of Series 10-SY3000, refer to back matter page 10.
* DIN terminal type "Y" conforming to EN-175301-803C (Former DIN43650C) is available, too. For details, refer to page 482.
* For connector cable of M8 connector, refer to page 490.
Make sure to specify cable length for the □ by referring to page 491.

Bracket

Nil: Without bracket
F1: With foot bracket (2 position single only)



F2: With side bracket



* 10-SY9000 has no bracket.

A, B port size Thread piping

Symbol	Port size	Applicable series
M5	M5 x 0.8	10-SY3000
O1	1/8	10-SY5000
O2	1/4	10-SY7000
O2	1/4	10-SY9000
O3	3/8	

One-touch fitting (Metric size)

Symbol	Port size	Applicable series
C4	One-touch fitting for ø4	10-SY3000
C6	One-touch fitting for ø6	
C4	One-touch fitting for ø4	10-SY5000
C6	One-touch fitting for ø6	
C8	One-touch fitting for ø8	10-SY7000
C8	One-touch fitting for ø8	
C10	One-touch fitting for ø10	10-SY9000
C8	One-touch fitting for ø8	
C10	One-touch fitting for ø10	10-SY9000
C12	One-touch fitting for ø12	

One-touch fitting (Inch size)

Symbol	Port size	Applicable series
N3	One-touch fitting for ø5/32"	10-SY3000
N7	One-touch fitting for ø1/4"	
N3	One-touch fitting for ø5/32"	10-SY5000
N7	One-touch fitting for ø1/4"	
N9	One-touch fitting for ø5/16"	10-SY7000
N9	One-touch fitting for ø5/16"	
N11	One-touch fitting for ø3/8"	10-SY9000
N9	One-touch fitting for ø5/16"	
N11	One-touch fitting for ø3/8"	

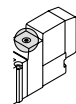
Thread type

Nil	Rc
F	G
N	NPT
T	NPTF

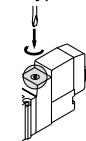
* Except M5.

Manual override

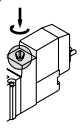
Nil: Non-locking push type



D: Push-turn locking slotted type



E: Push-turn locking lever type



Light/surge voltage suppressor

Electrical entry for G, H, L, M, W

Nil	Without light/surge voltage suppressor
S	With surge voltage suppressor
Z	With light/surge voltage suppressor
R	With surge voltage suppressor (Non-polar type)
U	With light/surge voltage suppressor (Non-polar type)

* For AC voltage valves there is no "S" option. It is already built-in to the rectifier circuit.
* For "R" and "U", DC voltage is only available.
* Power saving circuit is only available in the "Z" type.

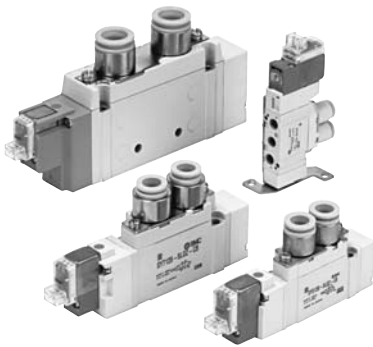
Electrical entry for D

Nil	Without light/surge voltage suppressor
S	With surge voltage suppressor
Z	With light/surge voltage suppressor

* "DOZ" is not available.
* For AC voltage valves there is no "S" option. It is already built-in to the rectifier circuit.

Note) When placing an order for body ported solenoid valve as a single unit, mounting bolts for manifold and gasket are not attached. Order them separately, if necessary. (For details, refer to catalog on page 413.)

Specifications



Series	10-SY3000	10-SY5000	10-SY7000	10-SY9000
Fluid	Air			
Internal pilot	2 position single			
Operating pressure range (MPa)	0.15 to 0.7			
Operating pressure range (MPa)	2 position double			
Ambient and fluid temperature (°C)	0.1 to 0.7			
Ambient and fluid temperature (°C)	3 position			
Ambient and fluid temperature (°C)	-10 to 50 (No freezing. Refer to page 714.)			
Max. operating frequency (Hz)	10	5	5	5
Max. operating frequency (Hz)	3	3	3	3
Manual override (Manual operation)	Non-locking push type, Push-turn locking slotted type, Push-turn locking lever type			
Pilot exhaust method	Common exhaust type for main and pilot valve			
Lubrication	Not required			
Mounting orientation	Unrestricted			
Impact/Vibration resistance (m/s²)^{Note}	150/30			
Enclosure	Dustproof (* DIN terminal, M8 connector conforms to IP65)			

* Based on IEC60529.
 Note) Impact resistance: No malfunction occurred when it is tested with a drop tester in the axial direction and at the right angles to the main valve and armature in both energized and de-energized states every once for each condition. (Values at the initial period)
 Vibration resistance: No malfunction occurred in a one-sweep test between 45 and 2000 Hz. Test was performed at both energized and de-energized states in the axial direction and at the right angles to the main valve and armature. (Values at the initial period)



Made to Order Specifications
 (For details, refer to pages 477 to 483.)

Solenoid Specifications

Electrical entry	Grommet (G), (H) L plug connector (L) M plug connector (M)		DIN terminal (D) M8 connector (W)
	G, H, L, M, W		D
Coil rated voltage (V)	DC	24, 12, 6, 5, 3	
	AC ^{50/60} Hz	100, 110, 200, 220	
Allowable voltage fluctuation (%)	±10% of rated voltage *		
Power consumption (W)	DC	Standard	0.35 (With indicator light: 0.4, DIN terminal with indicator light: 0.45)
		With power saving circuit	0.1 (With indicator light only)
Apparent power (VA) *	AC	100V	0.78 (With indicator light: 0.81) 0.78 (With indicator light: 0.87)
		110V [115V]	0.86 (With indicator light: 0.89) 0.86 (With indicator light: 0.97) [0.94 (With indicator light: 0.97)] [0.94 (With indicator light: 1.07)]
		200V	1.18 (With indicator light: 1.22) 1.15 (With indicator light: 1.30)
		220V [230V]	1.30 (With indicator light: 1.34) 1.27 (With indicator light: 1.46) [1.42 (With indicator light: 1.46)] [1.39 (With indicator light: 1.60)]
		Surge voltage suppressor	Diode (DIN terminal, non-polar type: Varistor)
Indicator light	LED (AC of DIN terminal is neon light.)		

* In common between 110 VAC and 115 VAC, and between 220 VAC and 230 VAC.
 * For 115 VAC and 230 VAC, the allowable voltage is -15% to +5% of rated voltage.
 * For types S, Z and T (with power saving circuit), there is a pressure drop due to the internal circuit. Therefore, the allowable voltage fluctuation range should be as follows.
 Types S, Z: 24 VDC: -7% to +10%
 12 VDC: -4% to +10%
 Type T: 24 VDC: -8% to +10%
 12 VDC: -6% to +10%

Response Time

Note) Based on dynamic performance test, JIS B 8375-1981. (Coil temperature: 20°C, at rated voltage, without surge suppressor)

10-SY3000

Type of actuation	Response time (ms) (at the pressure of 0.5 MPa)		
	Without light/surge voltage suppressor	With light/surge voltage suppressor	
		Type S, Z	Type R, U
2 position single	12 or less	15 or less	12 or less
2 position double	10 or less	13 or less	10 or less
3 position	15 or less	20 or less	16 or less

10-SY5000

Type of actuation	Response time (ms) (at the pressure of 0.5 MPa)		
	Without light/surge voltage suppressor	With light/surge voltage suppressor	
		Type S, Z	Type R, U
2 position single	19 or less	26 or less	19 or less
2 position double	18 or less	22 or less	18 or less
3 position	32 or less	38 or less	32 or less

10-SY7000

Type of actuation	Response time (ms) (at the pressure of 0.5 MPa)		
	Without light/surge voltage suppressor	With light/surge voltage suppressor	
		Type S, Z	Type R, U
2 position single	31 or less	38 or less	33 or less
2 position double	27 or less	30 or less	28 or less
3 position	50 or less	56 or less	50 or less

10-SY9000

Type of actuation	Response time (ms) (at the pressure of 0.5 MPa)		
	Without light/surge voltage suppressor	With light/surge voltage suppressor	
		Type S, Z	Type R, U
2 position single	35 or less	41 or less	35 or less
2 position double	35 or less	41 or less	35 or less
3 position	62 or less	64 or less	62 or less

How to Order Connector Assembly for L/M Plug Connector

How to Order Pilot Valve Assembly

10—V111 **5** **G**

Coil specifications

Nil	Standard: DC specifications
T	With power saving circuit (24 VDC, 12 VDC only)

* Power saving circuit is not available in the case of "D", "DO" or "W□" type.

Rated voltage

5	24 VDC
6	12 VDC
V	6 VDC
S	5 VDC
R	3 VDC
1	100 VAC 50/60 Hz
2	200 VAC 50/60 Hz
3	110 VAC 50/60 Hz [115 VAC 50/60 Hz]
4	220 VAC 50/60 Hz [230 VAC 50/60 Hz]

* For type "W□", DC voltage is only available.

Light/surge voltage suppressor

Nil	Without light/surge voltage suppressor
S	With surge voltage suppressor
Z	With light/surge voltage suppressor
R	With surge voltage suppressor (Non-polar type)
U	With light/surge voltage suppressor (Non-polar type)

* For AC voltage valves there is no "S" option. It is already built-in to the rectifier circuit.
* For "R" and "U", DC voltage is only available.
* Power saving circuit is only available in the "Z" type.

Electrical entry

G	Grommet (300 mm lead wire)
H	Grommet (600 mm lead wire)
L	L plug connector
LN	With lead wire
LO	Without lead wire
M	M plug connector
MN	With lead wire
MO	Without lead wire
WO	Without connector cable
Wm	With connector cable ^{Note 1)}

* For connector cable of M8 connector, refer to page 490.
Note 1) Make sure to specify cable length for the by referring to page 491.

For DC: **SY100-30-4A**

For 100 VAC: **SY100-30-1A**

For 200 VAC: **SY100-30-2A**

For other voltages of AC: **SY100-30-3A**

Without lead wire: **SY100-30-A**
(with connector and 2 of sockets only)

Lead wire length

Nil	300mm
6	600mm
10	1000mm
15	1500mm
20	2000mm
25	2500mm
30	3000mm
50	5000mm

How to Order M8 Connector Cable

■ Straight type

V100-49-1

Cable length

1	300mm
2	500mm
3	1000mm
4	2000mm
7	5000mm

■ DIN terminal type

10—V115 **5** **D**

Rated voltage

5	24 VDC
6	12 VDC
1	100 VAC 50/60 Hz
2	200 VAC 50/60 Hz
3	110 VAC 50/60 Hz [115 VAC 50/60 Hz]
4	220 VAC 50/60 Hz [230 VAC 50/60 Hz]

* DC specifications of types "D" and "DO" is only available with 12 and 24 VDC.

Light/surge voltage suppressor

Nil	Without light/surge voltage suppressor
S	With surge voltage suppressor (Non-polar type)
Z	With light/surge voltage suppressor (Non-polar type)

* "DOZ" is not available.
* For AC voltage valves there is no "S" option. It is already built-in to the rectifier circuit.

Electrical entry

D	DIN terminal	With connector
DO	terminal	Without connector

* Do not replace 10-V111 (G, H, L, M) to 10-V115 (DIN terminal) and vice versa when replacing pilot valve assembly only.

Air cylinder

Rotary actuator

Air gripper

Directional control valve

Flow control equipment

Filter, Pressure control equipment

Fittings & Tubing

Air preparation equipment

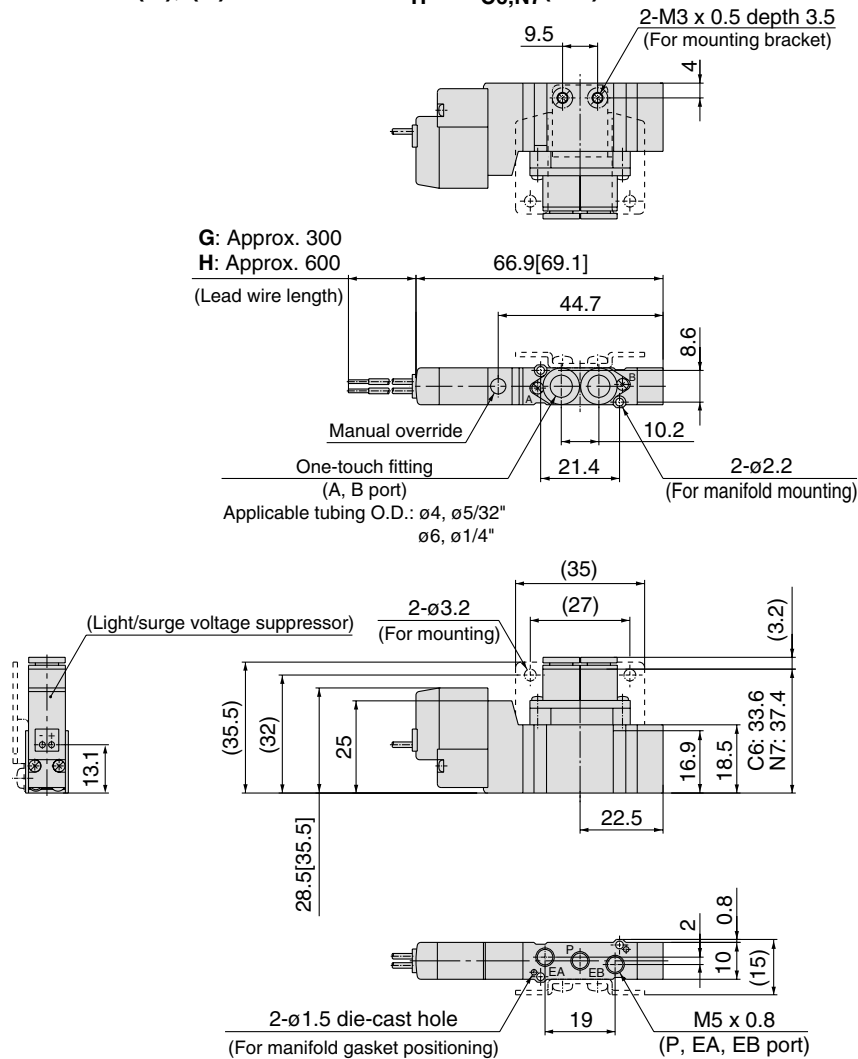
Pressure switch

Clean gas filter

Dimensions: Series 10-SY3000

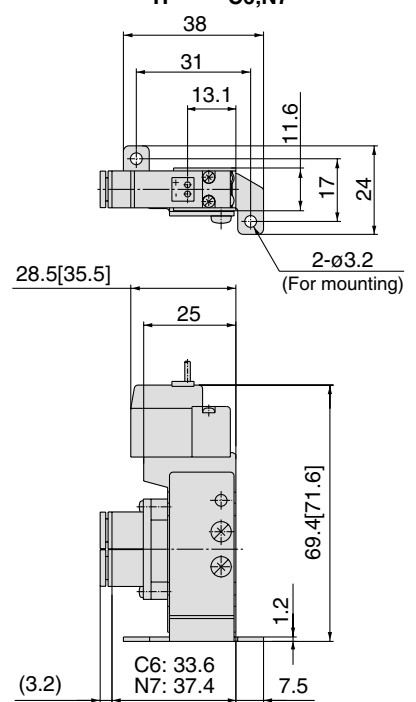
2 position single

Grommet (G), (H): 10-SY3120-□G□□-C4,N3-C6,N7(-F2)

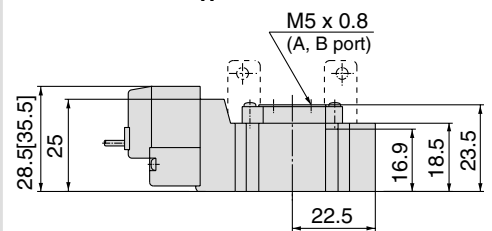


Foot bracket

10-SY3120-□G□□-C4,N3-C6,N7-F1

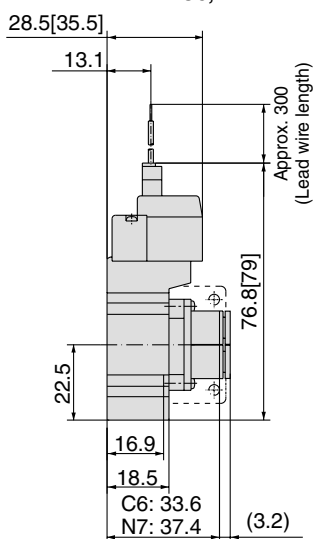


10-SY3120-□G□□-M5(-F2)



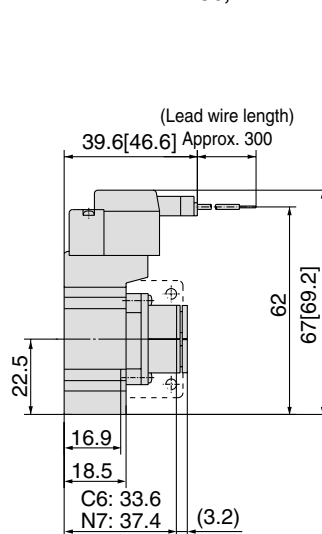
L plug connector (L):

10-SY3120-□L□□-C4,N3-C6,N7(-F1)



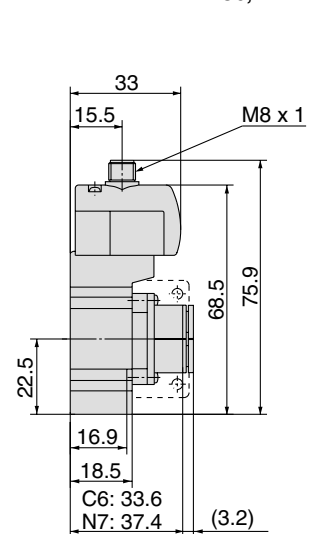
M plug connector (M):

10-SY3120-□M□□-C4,N3-C6,N7(-F1)



M8 connector (WO):

10-SY3120-□WO□□-C4,N3-C6,N7(-F1)

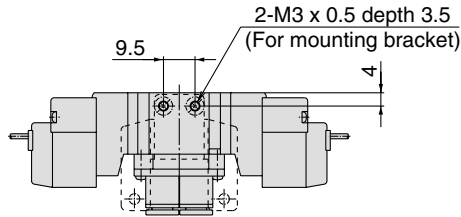


Note) Refer to page 490 for dimensions of connector types.

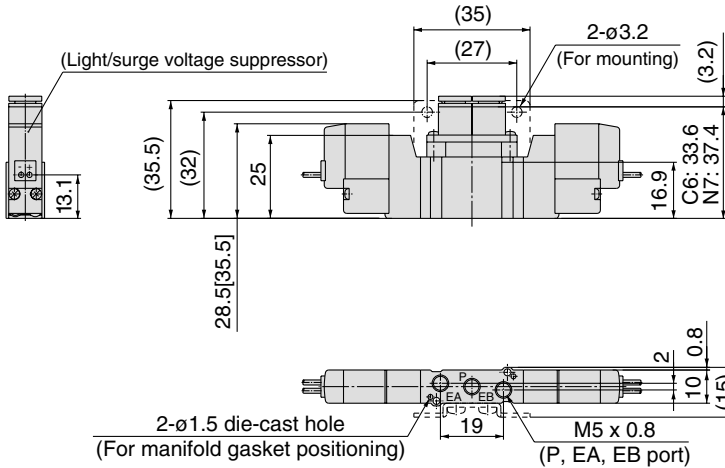
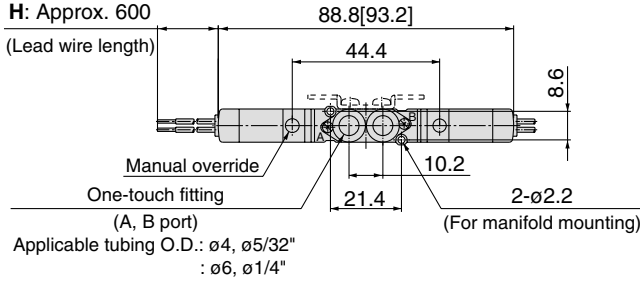
Dimensions: Series 10-SY3000

2 position double

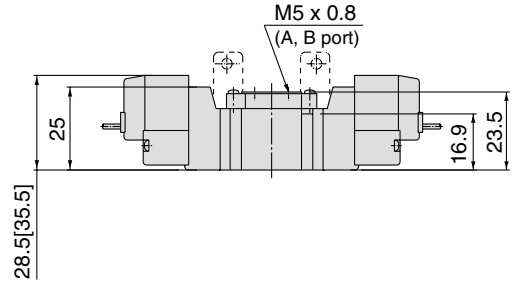
Grommet (G), (H): 10-SY3220-□_G□□-C_{4,N3}_{C_{6,N7}}(-F2)



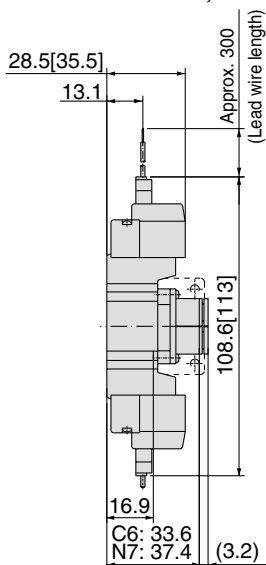
G: Approx. 300
H: Approx. 600



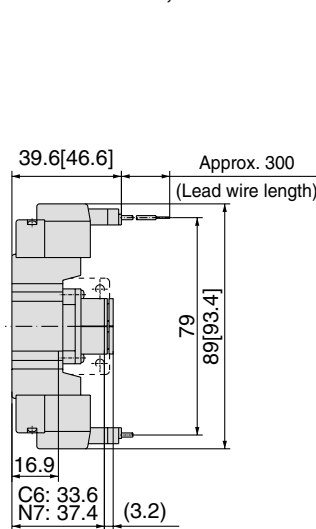
10-SY3220-□_G□□-M5(-F2)



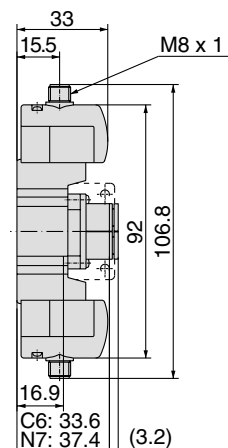
L plug connector (L):
10-SY3220-□_L□□-C_{4,N3}_{C_{6,N7}}(-F2)



M plug connector (M):
10-SY3220-□_M□□-C_{4,N3}_{C_{6,N7}}(-F2)



M8 connector (WO):
10-SY3220-WO□□-C_{4,N3}_{C_{6,N7}}(-F₂)



Note) Refer to page 490 for dimensions of connector types.

Air cylinder

Rotary actuator

Air gripper

Directional control valve

Flow control equipment

Filter, Pressure control equipment

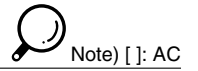
Fittings & Tubing

Air preparation equipment

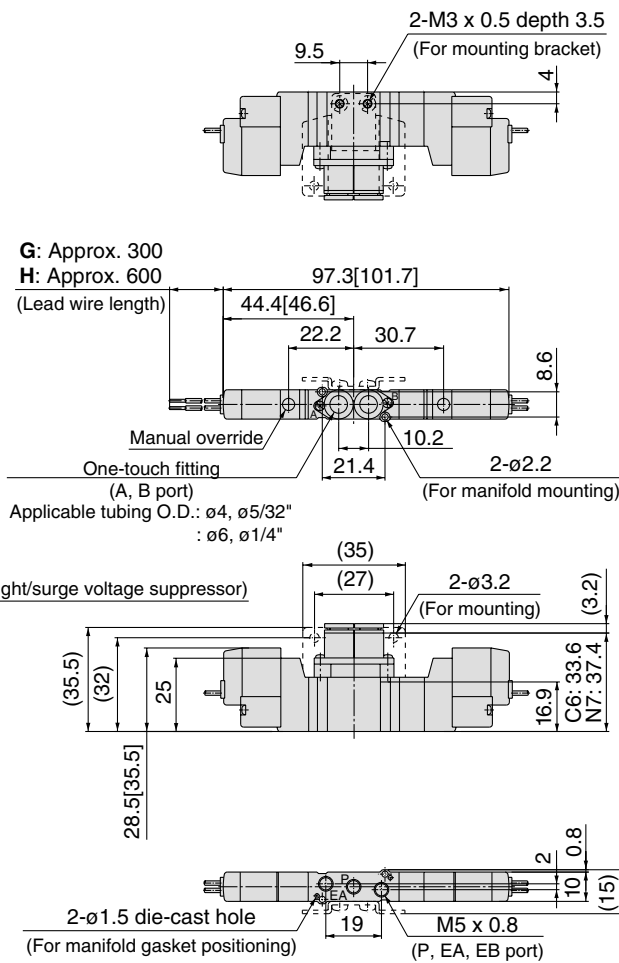
Pressure switch

Clean gas filter

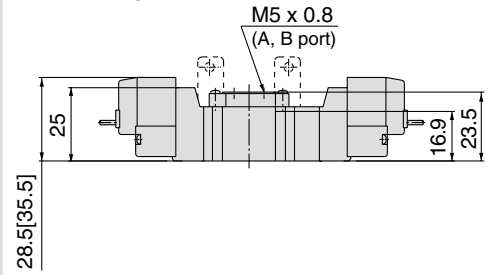
Dimensions: Series 10-SY3000



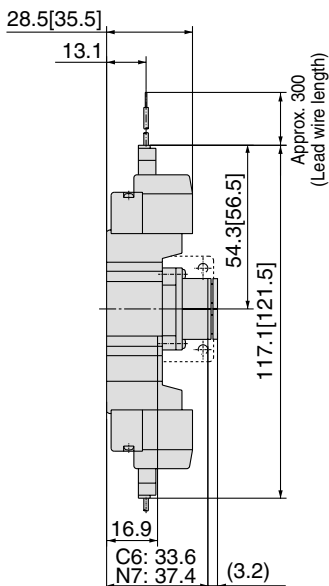
3 position closed center/exhaust center/pressure center
Grommet (G), (H): 10-SY3³₅20-□G□□-C4,N3(-F2)
C6,N7



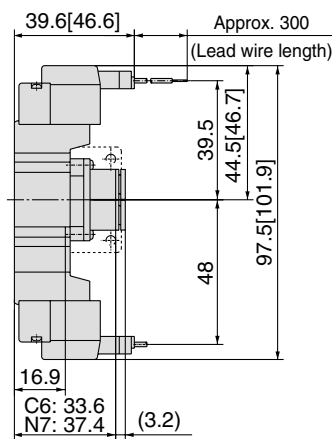
10-SY3³₅20-□G□□-M5(-F2)



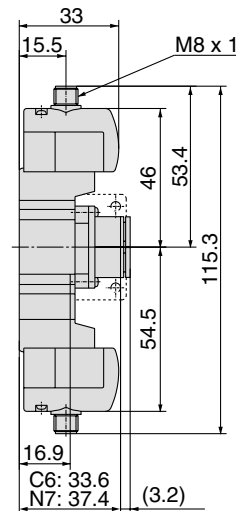
L plug connector (L):
10-SY3³₅20-□L□□-C4,N3(-F2)
C6,N7



M plug connector (M):
10-SY3³₅20-□M□□-C4,N3(-F2)
C6,N7



M8 connector (WO):
10-SY3³₅20-□WO□□-C4,N3(-F2)
C6,N7



Note) Refer to page 490 for dimensions of connector types.

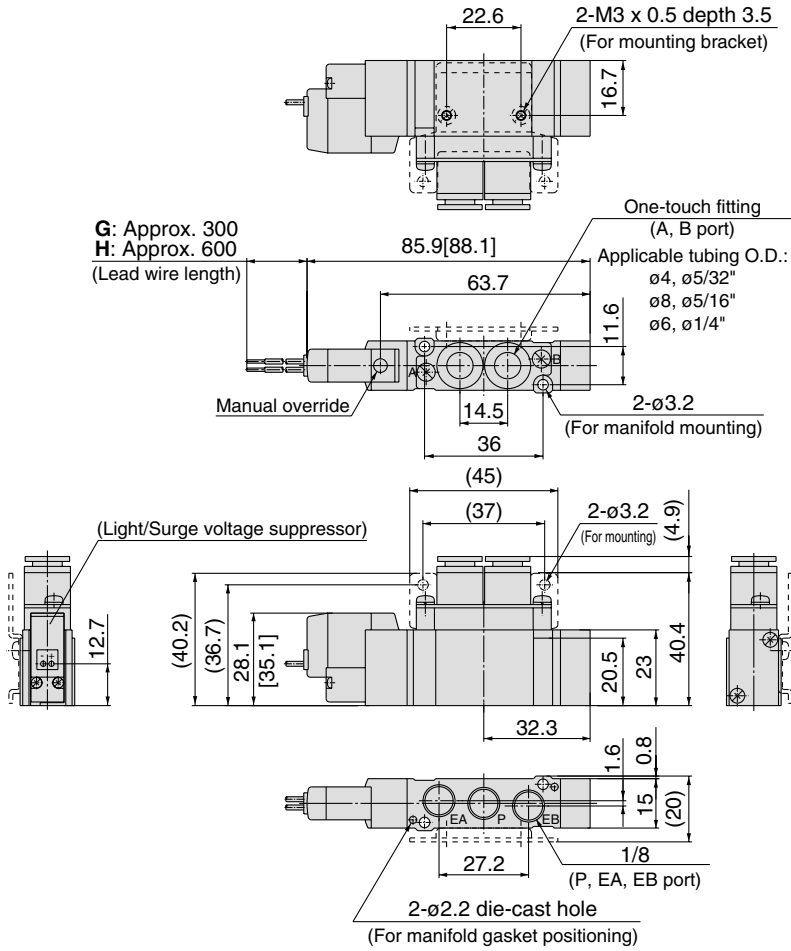


Note) []: AC

Dimensions: Series 10-SY5000

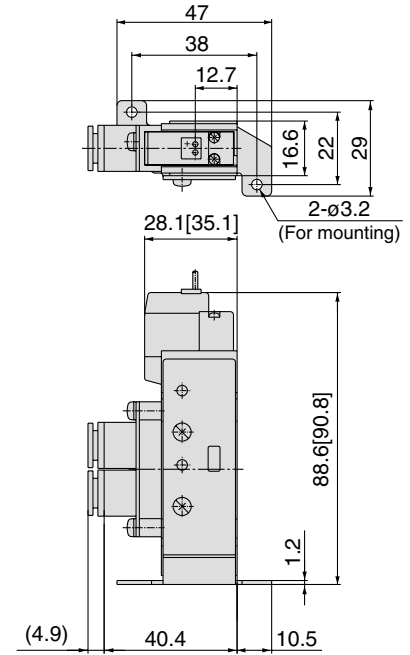
2 position single

Grommet (G), (H): 10-SY5120-□^G□^H-□^{C4,N3}□^{C6,N7}□^{C8,N9}(-F₂)

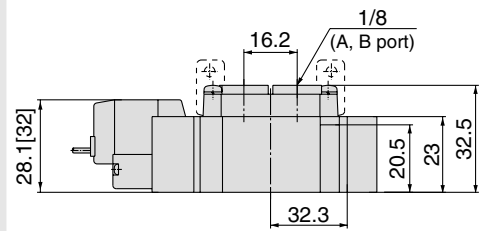


Foot bracket

10-SY5120-□^G□^H-□^{C4,N3}□^{C6,N7}□^{C8,N9}(-F₁)

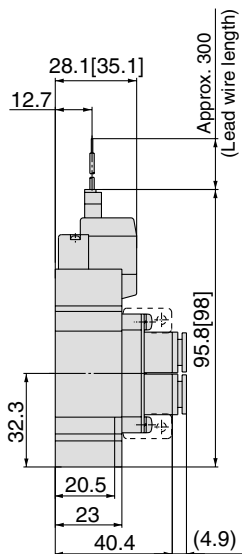


10-SY5120-□^G□^H-□^{C4,N3}□^{C6,N7}□^{C8,N9}(-F₁)-01□(-F₂)



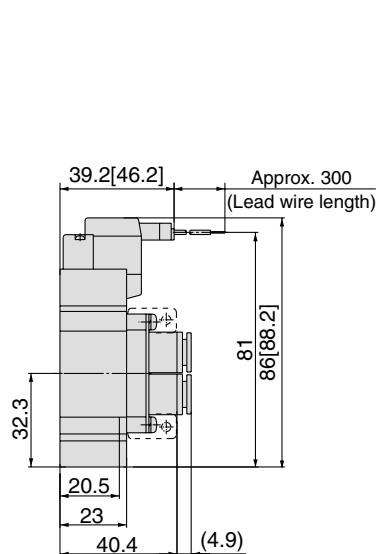
L plug connector (L):

10-SY5120-□^L□^{C4,N3}□^{C6,N7}□^{C8,N9}(-F₂)



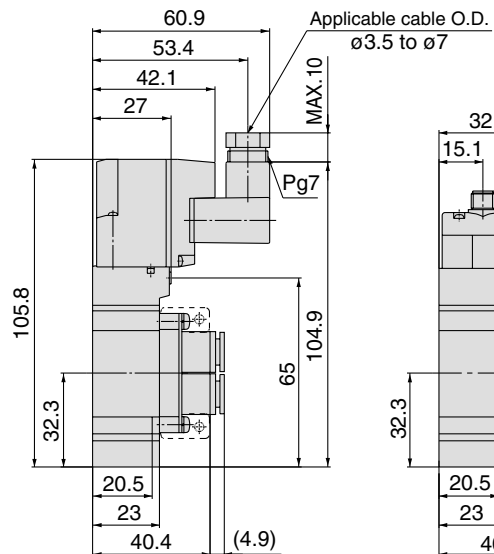
M plug connector (M):

10-SY5120-□^M□^{C4,N3}□^{C6,N7}□^{C8,N9}(-F₂)



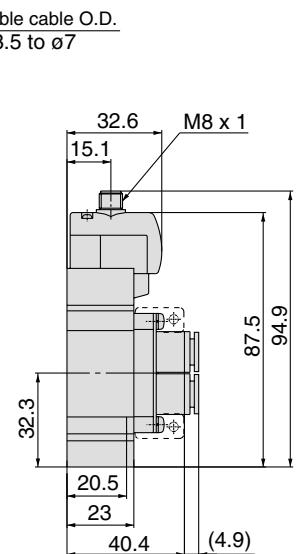
DIN terminal (D):

10-SY5120-□^D□^{C4,N3}□^{C6,N7}□^{C8,N9}(-F₂)



M8 connector (WO):

10-SY5120-□^{WO}□^{C4,N3}□^{C6,N7}□^{C8,N9}(-F₂)



Note) Refer to page 490 for dimensions of connector types.

Air cylinder

Rotary actuator

Air gripper

Directional control valve

Flow control equipment

Filter, Pressure control equipment

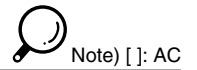
Fittings & Tubing

Air preparation equipment

Pressure switch

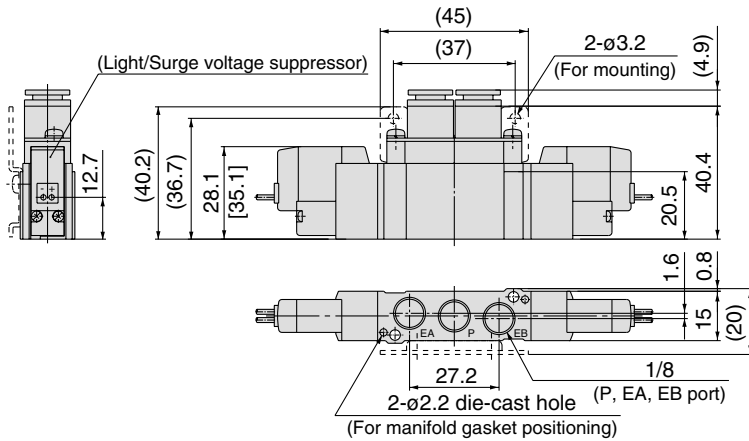
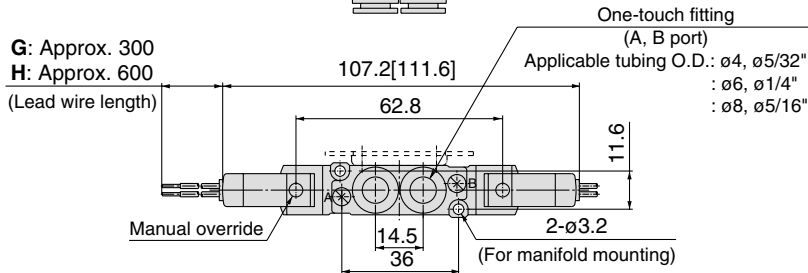
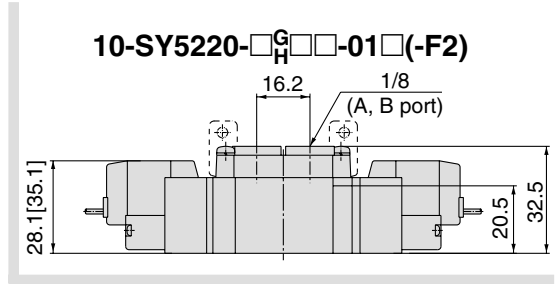
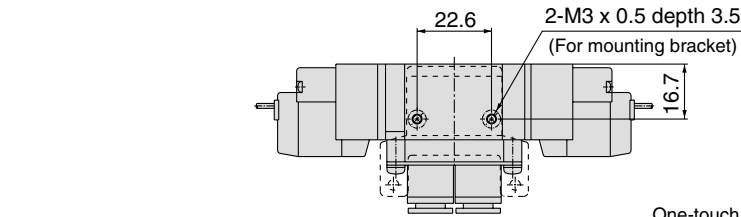
Clean gas filter

Dimensions: Series 10-SY5000



2 position double

Grommet (G), (H): 10-SY5220-□^G□^H-□^{C4,N3}□^{C6,N7}□(-F2)
□^{C8,N9}



L plug connector (L):

10-SY5220-□^L□□^{C4,N3}□^{C6,N7}□(-F2)
□^{C8,N9}

M plug connector (M):

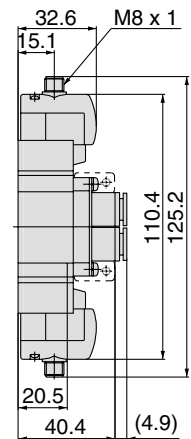
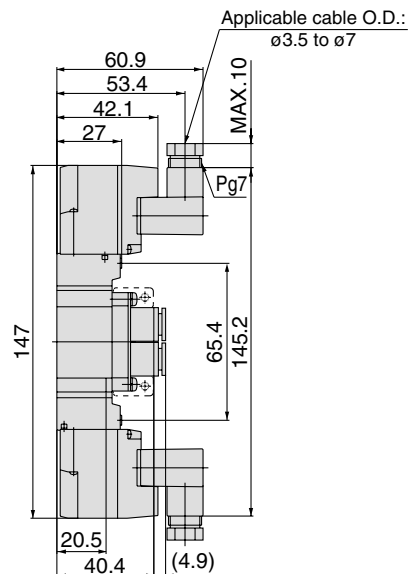
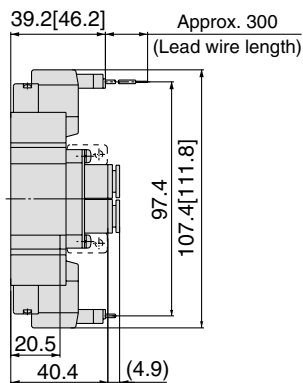
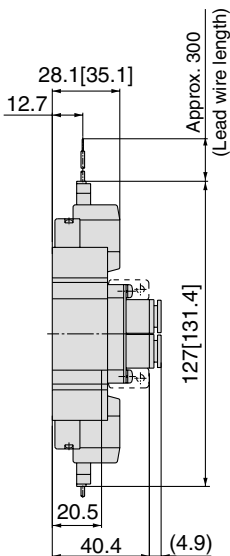
10-SY5220-□^M□□^{C4,N3}□^{C6,N7}□(-F2)
□^{C8,N9}

DIN terminal (D):

10-SY5220-□^D□□^{C4,N3}□^{C6,N7}□(-F2)
□^{C8,N9}

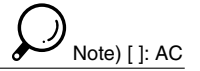
M8 connector (WO):

10-SY5220-□^{WO}□□^{C4,N3}□^{C6,N7}□(-F2)
□^{C8,N9}



Note) Refer to page 490 for dimensions of connector types.

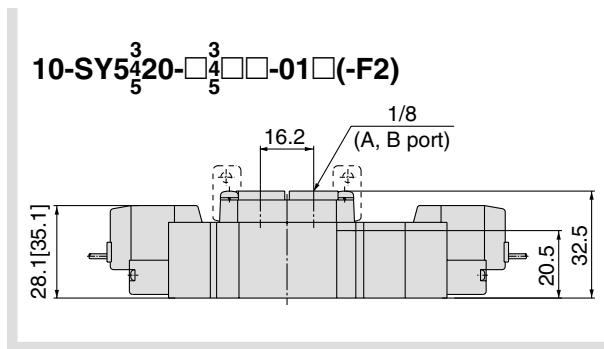
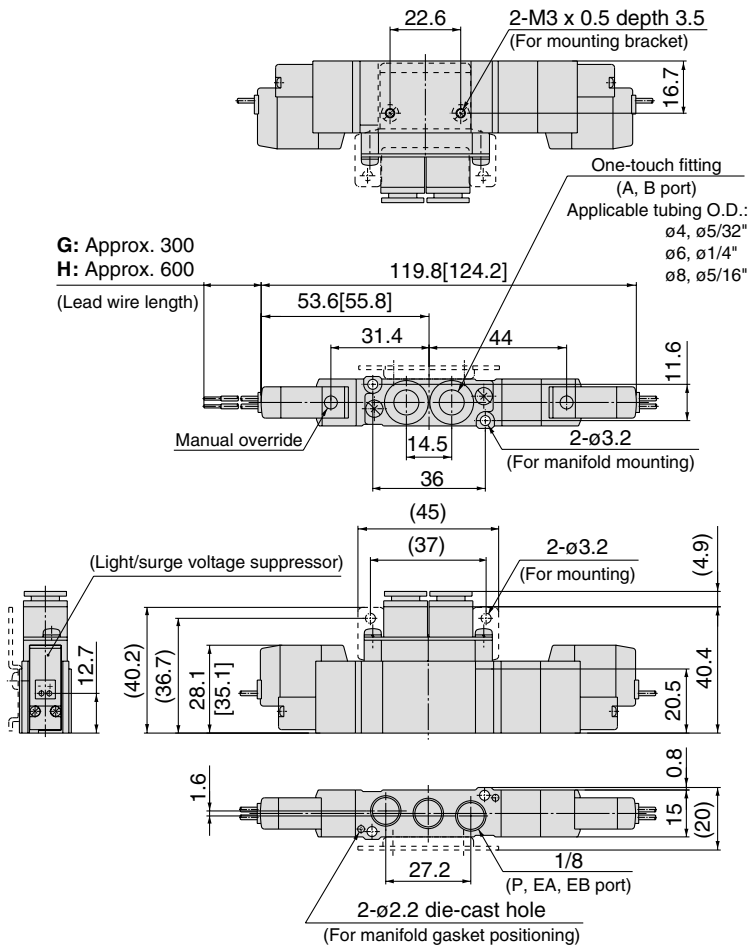
Dimensions: Series 10-SY5000



3 position closed center / exhaust center / pressure center

Grommet (G), (H): 10-SY5420- \square \square \square \square -C4,N3-C6,N7(-F2)
C8,N9

10-SY5420- \square \square \square \square -01(-F2)



L plug connector (L):

10-SY5420- \square \square \square \square -L-C4,N3-C6,N7(-F2)
C8,N9

M plug connector (M):

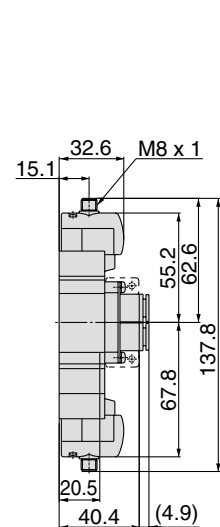
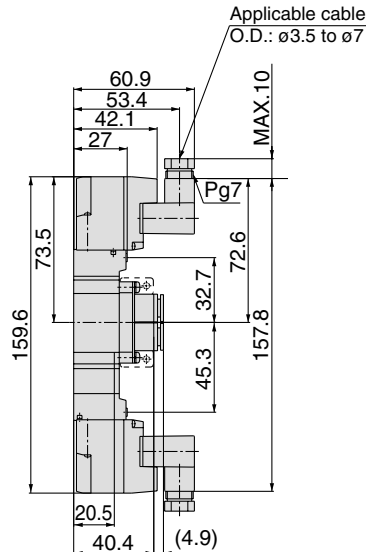
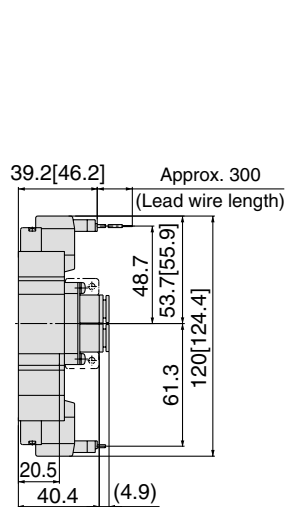
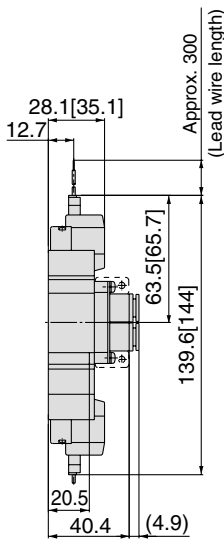
10-SY5420- \square \square \square \square -M-C4,N3-C6,N7(-F2)
C8,N9

DIN terminal (D):

10-SY5420- \square \square \square \square -D-C4,N3-C6,N7(-F2)
C8,N9

M8 connector (WO):

10-SY5420- \square \square \square \square -WO-C4,N3-C6,N7(-F2)
C8,N9



Note) Refer to page 490 for dimensions of connector types.

Air cylinder

Rotary actuator

Air gripper

Directional control valve

Flow control equipment

Filter, Pressure control equipment

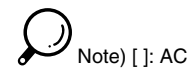
Fittings & Tubing

Air preparation equipment

Pressure switch

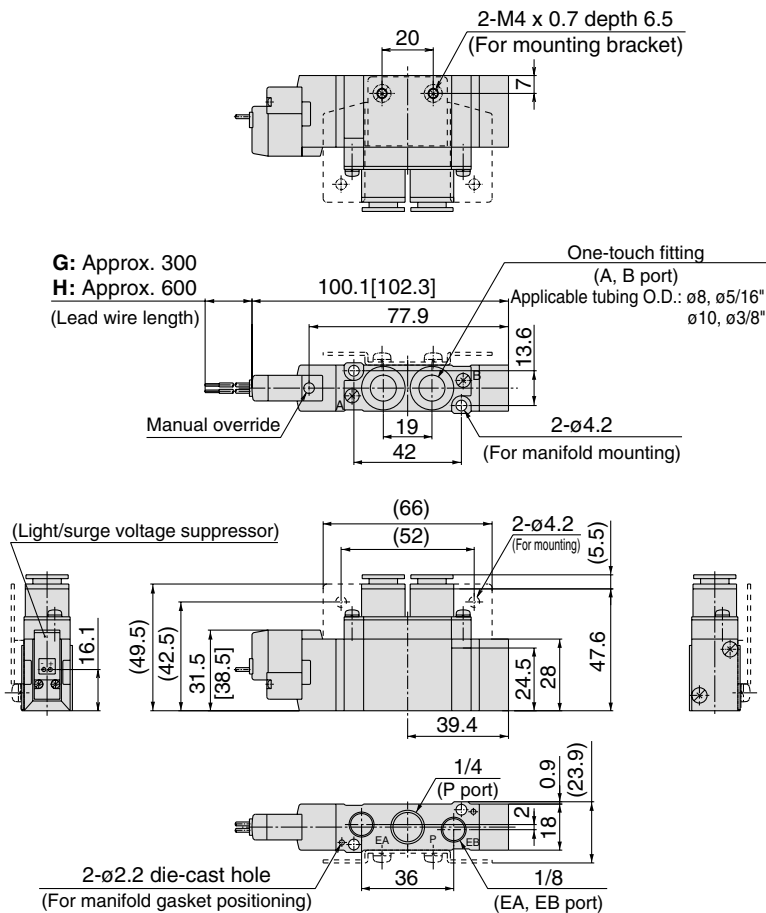
Clean gas filter

Dimensions: Series 10-SY7000

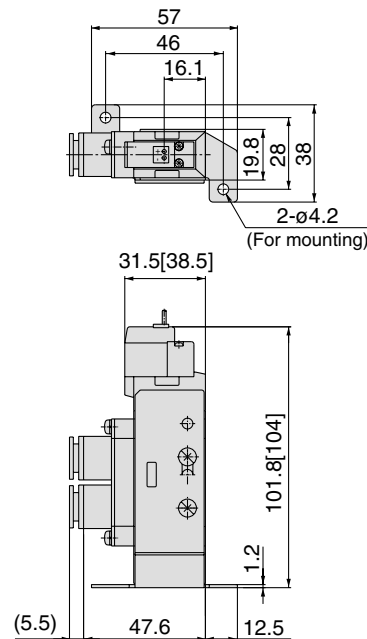


2 position single

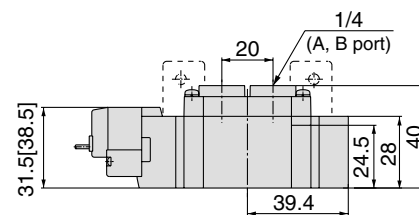
Grommet (G), (H): 10-SY7120-□G□□-C8,N9□□(-F2)
C10,N11□□(-F2)



10-SY7120-□G□□-C8,N9□□(-F1)
C10,N11□□(-F1)



10-SY7120-□G□□-02□□(-F2)
C10,N11□□(-F2)



L plug connector (L):

10-SY7120-□L□□-C8,N9□□(-F1)
C10,N11□□(-F2)

M plug connector (M):

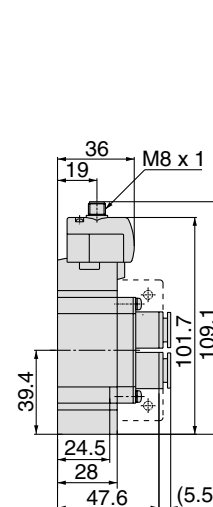
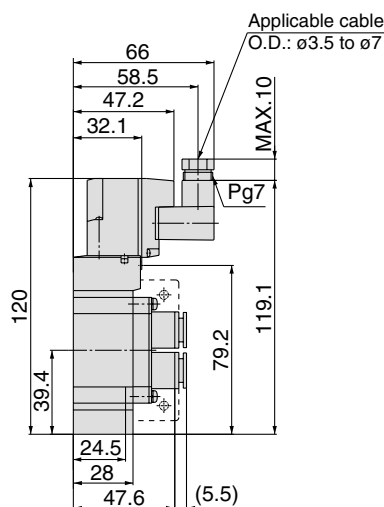
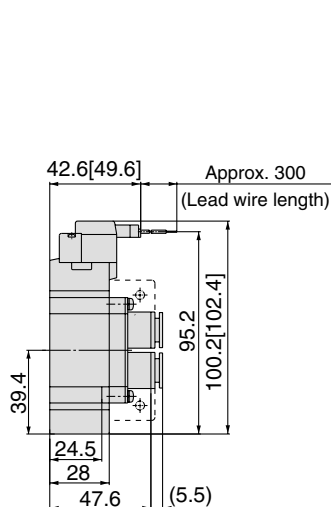
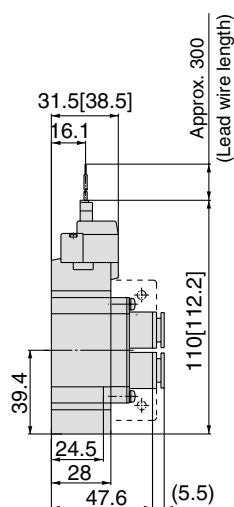
10-SY7120-□M□□-C8,N9□□(-F1)
C10,N11□□(-F2)

DIN terminal (D):

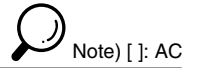
10-SY7120-□D□□-C8,N9□□(-F1)
C10,N11□□(-F2)

M8 connector (WO):

10-SY7120-□WO□□-C8,N9□□(-F1)
C10,N11□□(-F2)



Note) Refer to page 490 for dimensions of connector types.

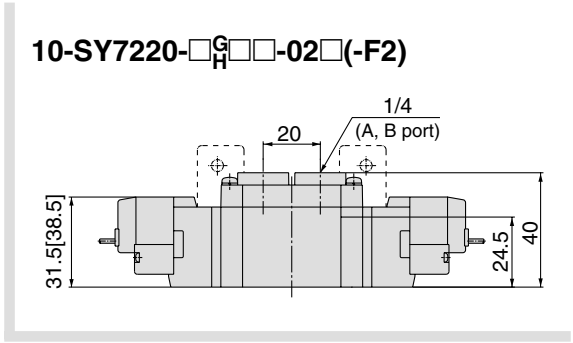
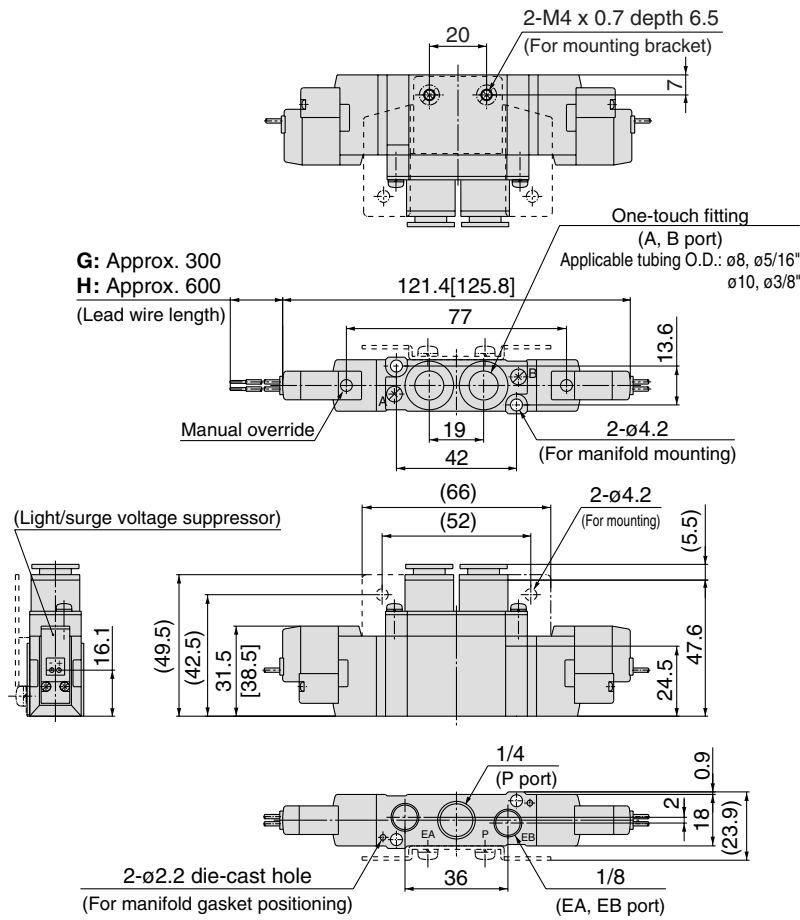


Dimensions: Series 10-SY7000

2 position double

Grommet (G), (H): 10-SY7220-□_G□_H-C8,N9-C10,N11□(-F2)

10-SY7220-□_G□_H-02□(-F2)



- Air cylinder
- Rotary actuator
- Air gripper
- Directional control valve
- Flow control equipment
- Filter, Pressure control equipment
- Fittings & Tubing
- Air preparation equipment
- Pressure switch
- Clean gas filter

L plug connector (L):

10-SY7220-□L□□-C8,N9-C10,N11□(-F2)

M plug connector (M):

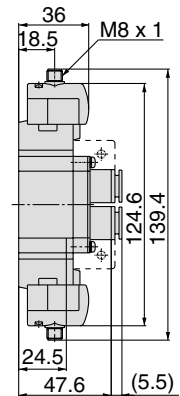
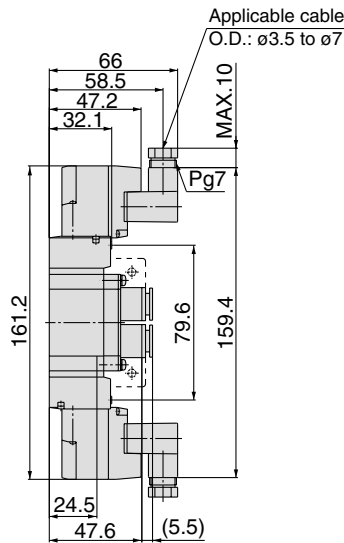
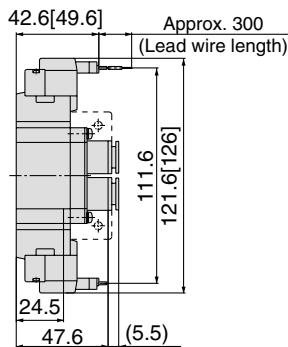
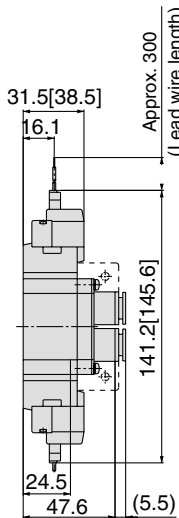
10-SY7220-□M□□-C8,N9-C10,N11□(-F2)

DIN terminal (D):

10-SY7220-□D□□-C8,N9-C10,N11□(-F2)

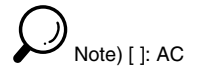
M8 connector (WO):

10-SY7220-□WO□□-C8,N9-C10,N11□(-F2)



Note) Refer to page 490 for dimensions of connector types.

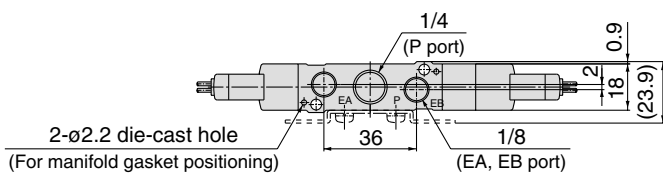
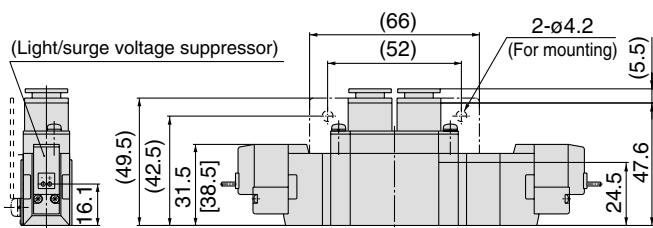
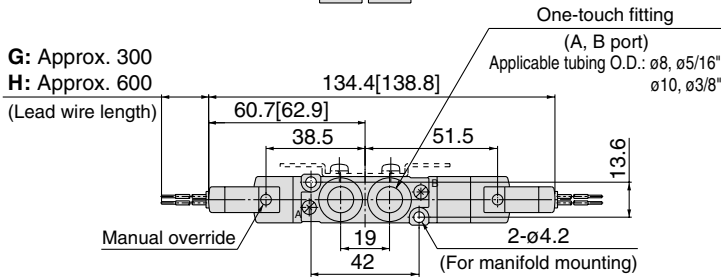
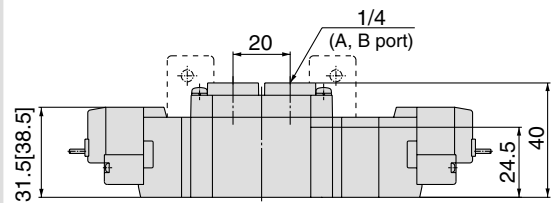
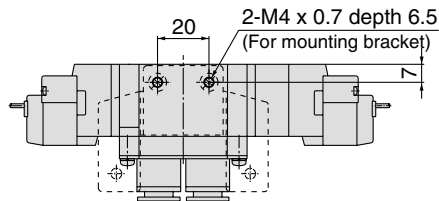
Dimensions: Series 10-SY7000



3 position closed center / exhaust center / pressure center

Grommet (G), (H): 10-SY7³₅20-□^G□□-C⁸,N⁹_{C10,N11}□(-F2)

10-SY7³₅20-□^G□□-02□(-F2)



L plug connector (L):

10-SY7³₅20-□L□□-C⁸,N⁹_{C10,N11}□(-F2)

M plug connector (M):

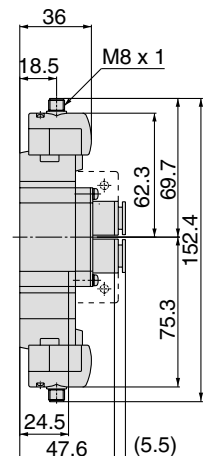
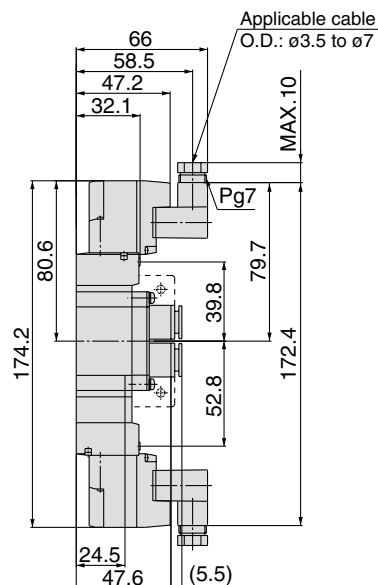
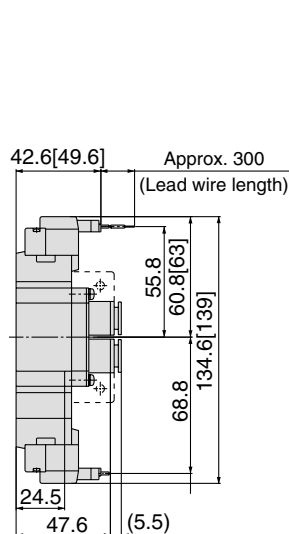
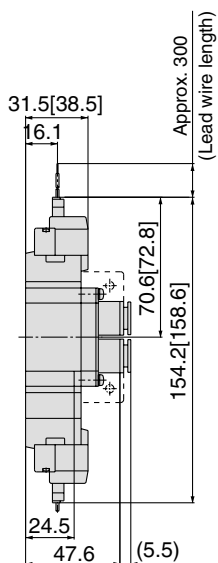
10-SY7³₅20-□M□□-C⁸,N⁹_{C10,N11}□(-F2)

DIN terminal (D):

10-SY7³₅20-□D□□-C⁸,N⁹_{C10,N11}□(-F2)

M8 connector (WO):

10-SY7³₅20-□WO□□-C⁸,N⁹_{C10,N11}□(-F2)



Note) Refer to page 490 for dimensions of connector types.

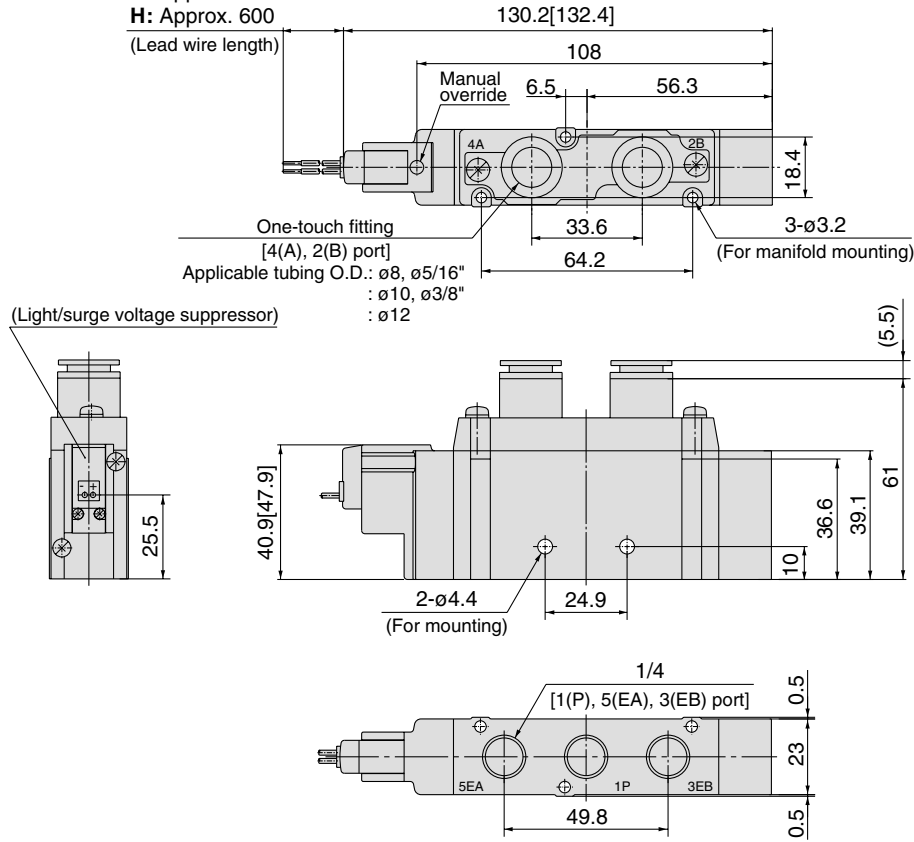
Dimensions: Series 10-SY9000

Note) []: AC

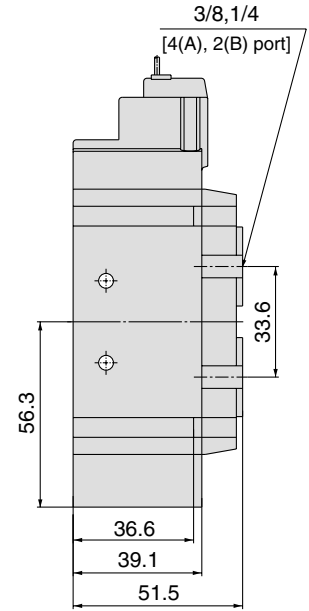
2 position single

Grommet (G), (H): 10-SY9120-GHC8 ,N9
C10,N11
C12

G: Approx. 300
H: Approx. 600
(Lead wire length)



10-SY9120-GH02
03



L plug connector (L):

10-SY9120-LC8 ,N9
C10,N11
C12

M plug connector (M):

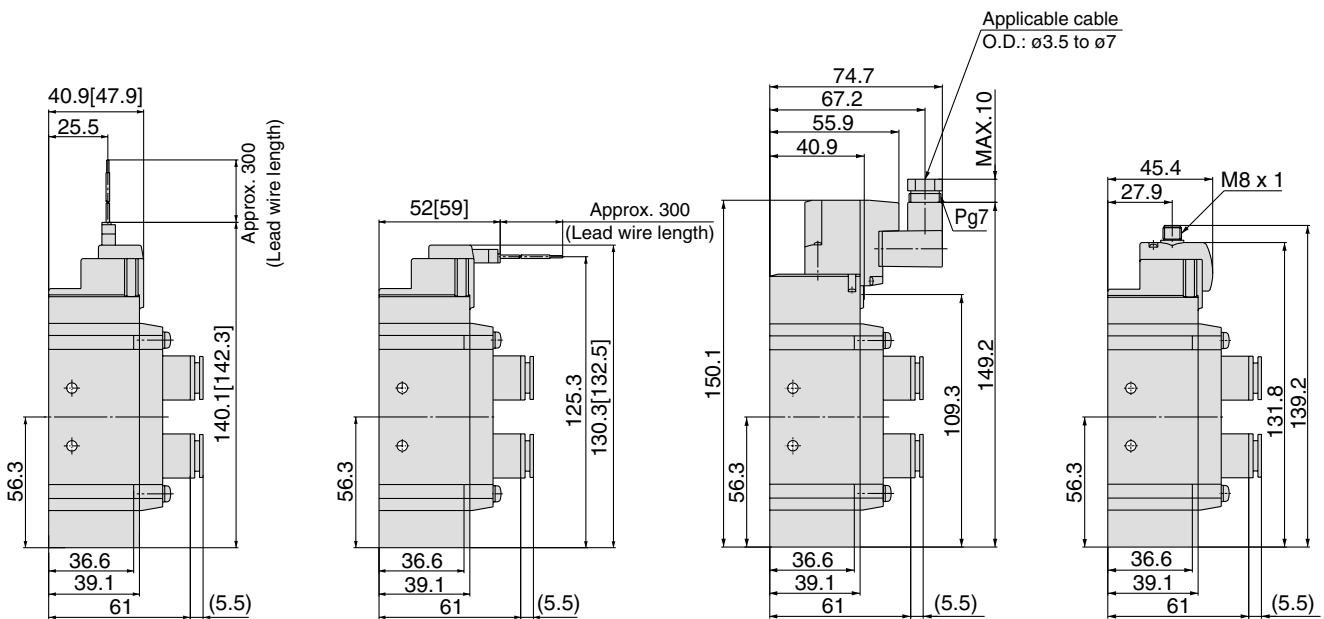
10-SY9120-MC8 ,N9
C10,N11
C12

DIN terminal (D):

10-SY9120-DC8 ,N9
C10,N11
C12

M8 connector (WO):

10-SY9120-WOC8 ,N9
C10,N11
C12



Note) Refer to page 490 for dimensions of connector types.

Dimensions: Series 10-SY9000

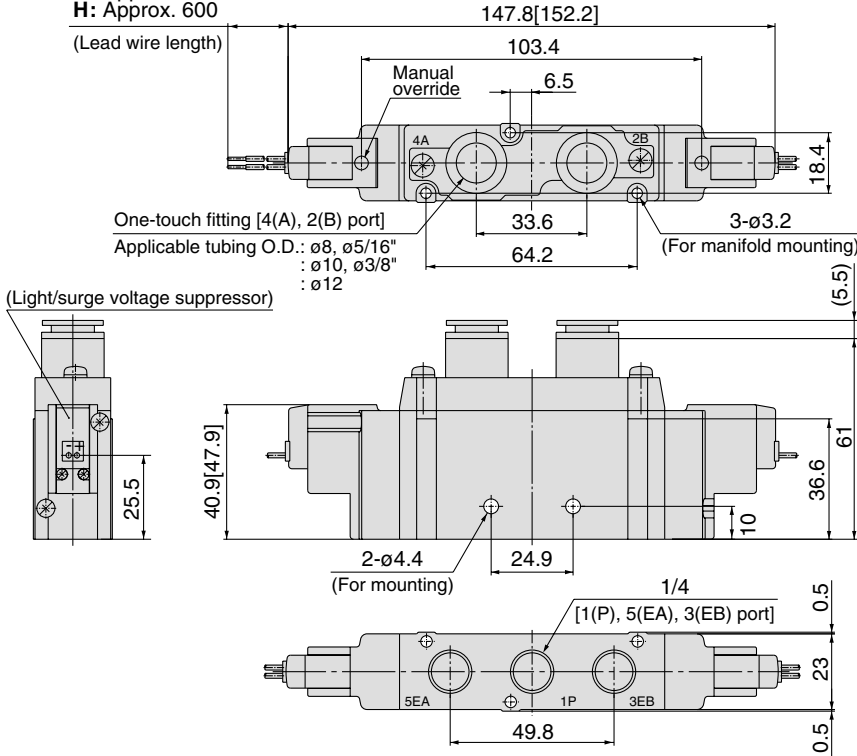


Note) []: AC

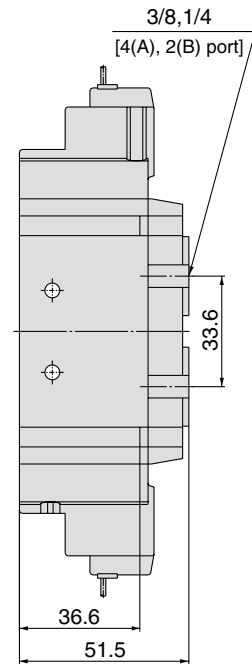
2 position double

Grommet (G), (H): 10-SY9220-□^G□^H□^{C8,N9}□^{C10,N11}□^{C12}

G: Approx. 300
H: Approx. 600



10-SY9220-□^G□^H□^{C8,N9}□^{C10,N11}□^{C12} 02



L plug connector (L):

10-SY9220-□^L□^{C8,N9}□^{C10,N11}□^{C12}

M plug connector (M):

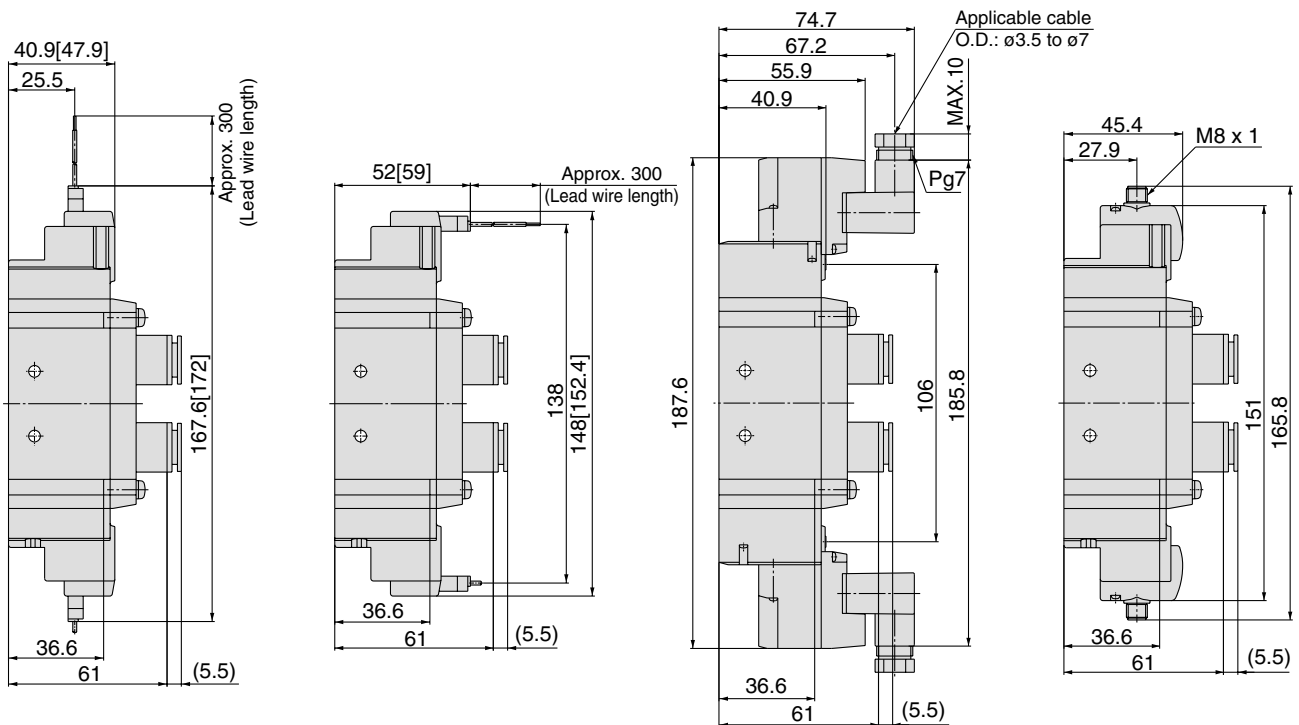
10-SY9220-□^M□^{C8,N9}□^{C10,N11}□^{C12}

DIN terminal (D):

10-SY9220-□^D□^{C8,N9}□^{C10,N11}□^{C12}

M8 connector (WO):

10-SY9220-□^{WO}□^{C8,N9}□^{C10,N11}□^{C12}



Note) Refer to page 490 for dimensions of connector types.

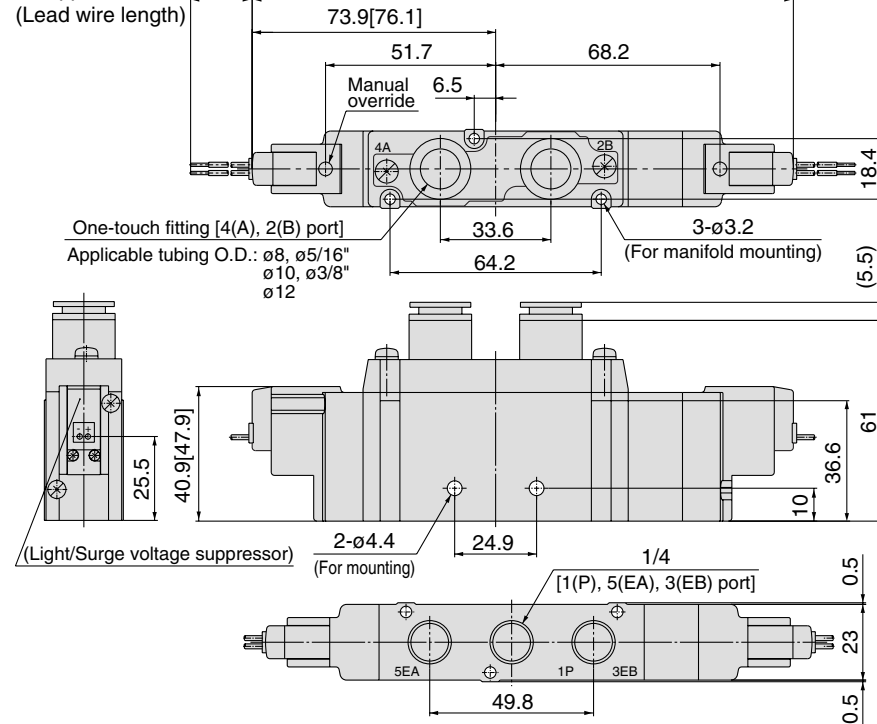
Dimensions: Series 10-SY9000

Note) []: AC

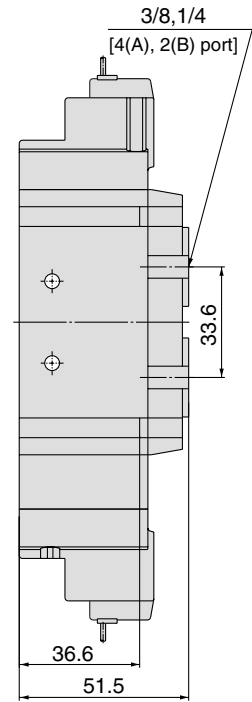
3 position closed center / exhaust center / pressure center

Grommet (G), (H): 10-SY9³/₅20-□G□□-C₈,N₉-C10,N11□
C12

G: Approx. 300
H: Approx. 600



10-SY9³/₅20-□H□□-02□
03



L plug connector (L):

10-SY9³/₅20-□L□□-C₈,N₉-C10,N11□
C12

M plug connector (M):

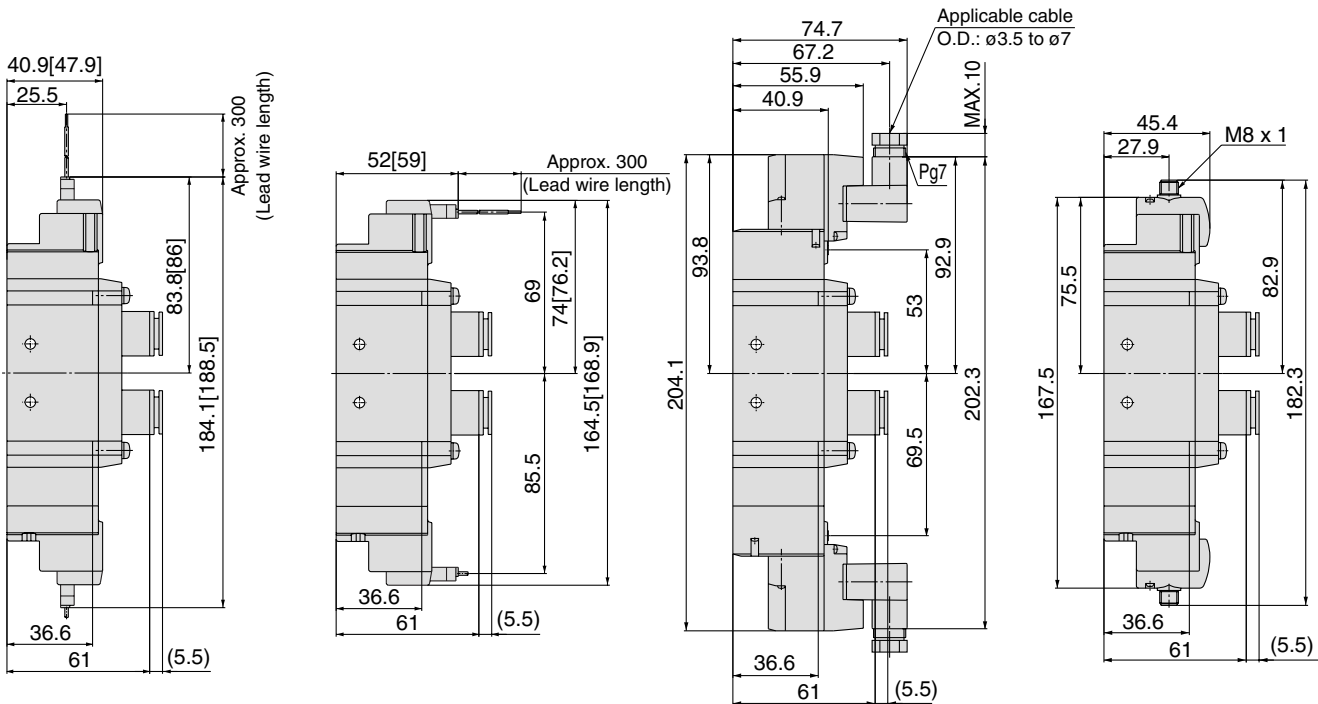
10-SY9³/₅20-□M□□-C₈,N₉-C10,N11□
C12

DIN terminal (D):

10-SY9³/₅20-□D□□-C₈,N₉-C10,N11□
C12

M8 connector (WO):

10-SY9³/₅20-□WO□□-C₈,N₉-C10,N11□
C12



Note) Refer to page 490 for dimensions of connector types.

Air cylinder
Rotary actuator
Air gripper
Directional control valve
Flow control equipment
Filter, Pressure control equipment
Fittings & Tubing
Air preparation equipment
Pressure switch
Clean gas filter

Series 10-SY3000/5000/7000/9000 Base mounted Single Valve

How to Order

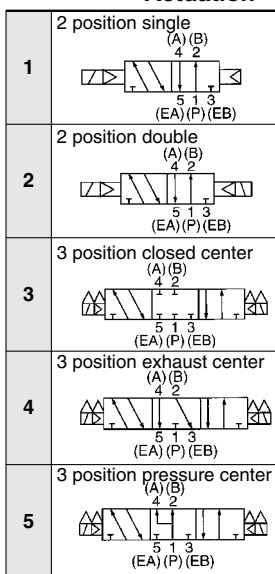
10—SY **5** **2** 40 **5** **L**

• Clean series

• Series

3	10-SY3000
5	10-SY5000
7	10-SY7000
9	10-SY9000

• Actuation



• Pilot system

Nil	Internal pilot
R	External pilot

• Coil specifications

Nil	Standard
T	With power saving circuit (24, 12 VDC only)

* Power saving circuit is not available in the case of "D", "DO" or "W□" type.

• Rated voltage

DC specifications

5	24 VDC
6	12 VDC
V	6 VDC
S	5 VDC
R	3 VDC

AC(50/60 Hz)

1	100 VAC
2	200 VAC
3	110 VAC [115 VAC]
4	220 VAC [230 VAC]

* DC specifications of type "D" and "DO" is only available with 12 and 24 VDC.
* For type "W□", DC voltage is only available.

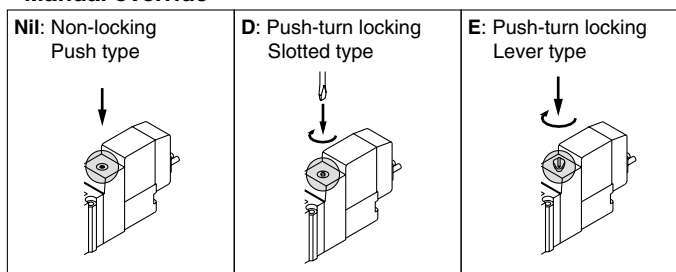
• Port size

Symbol	Port size	Applicable series
Nil	Without sub-plate	
01	1/8 With sub-plate	10-SY3000
02	1/4 With sub-plate	10-SY5000 10-SY7000
03	3/8 With sub-plate	10-SY7000 10-SY9000
04	1/2 With sub-plate	10-SY9000

• Thread type

Nil	Rc
F	G
N	NPT
T	NPTF

• Manual override



• Light/Surge voltage suppressor

Electrical entry for G, H, L, M, W

Nil	Without light/surge voltage suppressor
S	With surge voltage suppressor
Z	With light/surge voltage suppressor
R	With surge voltage suppressor (non-polar type)
U	With light/surge voltage suppressor (non-polar type)

* For AC voltage valves there is no "S" option. It is already built-in to the rectifier circuit.
* For "R" and "U", DC voltage is only available.
* Power saving circuit is only available in the "Z" type.

Electrical entry for D

Nil	Without light/surge voltage suppressor
S	With surge voltage suppressor (non-polar type)
Z	With light/surge voltage suppressor (non-polar type)

* DOZ is not available.
* For AC voltage valves there is no "S" option. It is already built-in to the rectifier circuit.

• Electrical entry

24, 12, 6, 5, 3 VDC / 100, 110, 200, 220 VAC				24, 12 VDC 100, 110, 200, 220 VAC	24, 12, 6, 5, 3 VDC
Grommet	L plug connector	M plug connector	MN: Without lead wire	DIN terminal	M8 Connector
G: Lead wire Length 300 mm	L: With lead wire (length 300 mm)	M: With lead wire (length 300 mm)	MN: Without lead wire	D: With connector	WO: Without connector
H: Lead wire Length 600 mm	LN: Without lead wire	LO: Without connector	MO: Without connector	DO: Without connector	W□: With connector cable ^{Note 1)}

* "LN", "MN" type: with 2 sockets.
* For DIN terminal of 10-SY3000 series, refer to Page 488.

* DIN terminal type "Y" conforming to EN-175301-803C (previously DIN43650C) is available, too. For details, refer to page 482.

* Refer to page 490 for connector cable of M8 connector.
Note 1) A symbol for cable length should be described in □. Please refer to page 491.

Specifications



Made to Order Specifications
(For details, refer to pages 477 to 483)

Series		10-SY3000	10-SY5000	10-SY7000	10-SY9000
Fluid		Air			
Internal pilot operating pressure range (MPa)	2 position single	0.15 to 0.7			
	2 position double	0.1 to 0.7			
	3 position	0.2 to 0.7			
External pilot operating pressure range (MPa)	Operating pressure range		-100 kPa to 0.7		
	Pilot pressure range	2 position single	0.25 to 0.7		
		2 position double	0.25 to 0.7		
		3 position	0.25 to 0.7		
Ambient and fluid temperature (°C)		-10 to 50 (No freezing. Refer to page 714.)			
Maximum operating frequency (Hz)	2 position single, double	10	5	5	5
	3 position	3	3	3	3
Manual override (Manual operation)		Non-locking push type, Push-turn locking slotted type, Push-turn locking lever type			
Pilot exhaust method	Internal pilot	Common exhaust type for main and pilot valve			
	External pilot	Individual pilot exhaust			
Lubrication		Not required			
Mounting orientation		Unrestricted			
Shock/Vibration resistance m/s² (Note)		150/30			
Enclosure		Dustproof (* DIN terminal, M8 connector conforms to IP65)			



* Based on IEC60529

Note) Impact resistance: No malfunction occurred when it is tested with a drop tester in the axial direction and at the right angles to the main valve and armature in both energized and de-energized states every once for each condition. (Values in the initial stage)

Vibration resistance: No malfunction when tested with one sweep of 45 to 2000Hz in the axial direction and at a right angle to the main valve and armature, in both energized and de-energized states. (Values in the initial stage)

Response time



Note) Based on dynamic performance test, JIS B 8375-1981.
(Coil temperature: 20°C, at rated voltage)

10-SY3000

Type of actuation	Response Time ms (at the pressure of 0.5 MPa)			
	Without light/surge voltage suppressor		With light/surge voltage suppressor	
	Type S, Z	Type R, U	Type S, Z	Type R, U
2 position single	12 or less	15 or less	12 or less	12 or less
2 position double	10 or less	13 or less	10 or less	10 or less
3 position	15 or less	20 or less	16 or less	16 or less

10-SY5000

Type of actuation	Response Time ms (at the pressure of 0.5 MPa)			
	Without light/surge voltage suppressor		With light/surge voltage suppressor	
	Type S, Z	Type R, U	Type S, Z	Type R, U
2 position single	19 or less	26 or less	19 or less	19 or less
2 position double	18 or less	22 or less	18 or less	18 or less
3 position	32 or less	38 or less	32 or less	32 or less

10-SY7000

Type of actuation	Response Time ms (at 0.5 MPa)			
	Without light/surge voltage suppressor		With light/surge voltage suppressor	
	Type S, Z	Type R, U	Type S, Z	Type R, U
2 position single	31 or less	38 or less	33 or less	33 or less
2 position double	27 or less	30 or less	28 or less	28 or less
3 position	50 or less	56 or less	50 or less	50 or less

10-SY9000

Type of actuation	Response Time ms (at 0.5 MPa)			
	Without light/surge voltage suppressor		With light/surge voltage suppressor	
	Type S, Z	Type R, U	Type S, Z	Type R, U
2 position single	35 or less	41 or less	35 or less	35 or less
2 position double	35 or less	41 or less	35 or less	35 or less
3 position	62 or less	64 or less	62 or less	62 or less

Solenoid specifications

Electrical entry		Grommet (G), (H) L plug connector (L) M plug connector (M) DIN terminal (D) M8 Connector (W)	
		G, H, L, M, W	D
Coil rated voltage (V)	DC	24, 12, 6, 5, 3	24, 12
	AC^{50/60}Hz	100, 110, 200, 220	
Allowable voltage fluctuation		±10% of rated voltage *	
Power consumption (W)	DC	0.35 (With indicator light: 0.4 DIN terminal with indicator light: 0.45)	
	Standard	0.1 (With indicator light only)	
Apparent power (VA) *	AC	100V	0.78 (With indicator light: 0.81) 0.78 (With indicator light: 0.87)
		110V	0.86 (With indicator light: 0.89) 0.86 (With indicator light: 0.97)
		[115V]	[0.94 (With indicator light: 0.97)] [0.94 (With indicator light: 1.07)]
		200V	1.18 (With indicator light: 1.22) 1.15 (With indicator light: 1.30)
		220V [230V]	1.30 (With indicator light: 1.34) 1.27 (With indicator light: 1.46)
		[1.42 (With indicator light: 1.46)] [1.39 (With indicator light: 1.60)]	
Surge voltage suppressor		Diode (Varistor for DIN terminal and non-polar type.)	
Indicator light		LED (Neon bulb for AC type DIN terminal)	



* In common between 110 VAC and 115 VAC, and between 220 VAC and 230 VAC.

* For 115 VAC and 230 VAC, the allowable voltage is -15% to +5% of rated voltage.

* Voltage drop may be caused by internal circuit for S, Z and T type (With power-saving circuit). Use the valves within allowable voltage fluctuation range as below.

Type S, Z 24 VDC: -7% to +10%
12 VDC: -4% to +10%
Type T 24 VDC: -8% to +10%
12 VDC: -6% to +10%

Air cylinder

Rotary actuator

Air gripper

Directional control valve

Flow control equipment

Filter, Pressure control equipment

Fittings & Tubing

Air preparation equipment


Pressure switch

Clean gas filter

Flow Characteristics / Weight


Model/Series 10-SY3000

Valve model	Type of actuation		Port size	Flow Characteristics ^{Note 1)}						Weight (g) ^{Note 2)}		
				1→4/2(P→A/B)			4/2→5/3(A/B→EA/EB)			Grommet	L, M plug connector	W M8 connector
				C[dm ³ /(s·bar)]	b	Cv	C[dm ³ /(s·bar)]	b	Cv			
SY3□40-□-01	2 position	Single	1/8	1.0	0.30	0.24	1.1	0.30	0.26	84(50)	85(53)	89(57)
		Double										
	3 position	Closed center		0.77	0.28	0.18	0.85	0.30	0.19	104(69)	109(74)	117(82)
		Exhaust center		0.73	0.31	0.18	1.1 [0.55]	0.26 [0.52]	0.24 [0.16]			
		Pressure center		1.2 [0.51]	0.24 [0.45]	0.29 [0.14]	0.89	0.47	0.24			

 Note 1) []: denotes normal position.
Note 2) (): Without sub-plate.


Model: Series 10-SY5000

Valve model	Type of actuation		Port size	Flow Characteristics ^{Note 1)}						Weight (g) ^{Note 2)}			
				1→4/2(P→A/B)			4/2→5/3(A/B→EA/EB)			Grommet	L, M plug connector	DIN terminal	W M8 connector
				C[dm ³ /(s·bar)]	b	Cv	C[dm ³ /(s·bar)]	b	Cv				
SY5□40-□-02	2 position	Single	1/4	2.4	0.41	0.64	2.8	0.29	0.66	121(58)	123(61)	154(92)	127(65)
		Double											
	3 position	Closed center		1.8	0.47	0.50	1.8	0.40	0.47	144(82)	150(87)	192(129)	158(95)
		Exhaust center		1.4	0.55	0.44	3.0 [1.2]	0.33 [0.48]	0.72 [0.37]				
		Pressure center		3.3 [0.84]	0.36 [0.60]	0.85 [0.28]	1.8	0.40	0.48				

 Note 1) []: denotes normal position.
Note 2) (): Without sub-plate.


Model: Series 10-SY7000

Valve model	Type of actuation		Port size	Flow Characteristics ^{Note 1)}						Weight (g) ^{Note 2)}			
				1→4/2(P→A/B)			4/2→5/3(A/B→EA/EB)			Grommet	L, M plug connector	DIN terminal	W M8 connector
				C[dm ³ /(s·bar)]	b	Cv	C[dm ³ /(s·bar)]	b	Cv				
SY7□40-□-02	2 position	Single	1/4	4.1	0.41	1.1	4.1	0.29	1.0	218(89)	221(92)	242(113)	225(96)
		Double											
	3 position	Closed center		3.0	0.43	0.80	2.6	0.41	0.72	239(110)	245(116)	287(158)	253(124)
		Exhaust center		2.6	0.42	0.71	4.7 [1.7]	0.35 [0.48]	1.1 [0.49]				
		Pressure center		5.3 [2.3]	0.39 [0.49]	1.3 [0.65]	2.2	0.49	0.63				

 Note 1) []: denotes normal position.
Note 2) (): Without sub-plate.

Model: Series 10-SY9000

Valve model	Type of actuation		Port size	Flow Characteristics ^{Note 1)}						Weight (g) ^{Note 2)}			
				1→4/2(P→A/B)			4/2→5/3(A/B→EA/EB)			Grommet	L, M plug connector	DIN terminal	W M8 connector
				C[dm ³ /(s·bar)]	b	Cv	C[dm ³ /(s·bar)]	b	Cv				
SY9□40-□-03	2 position	Single	3/8	7.9	0.34	2.0	9.6	0.43	2.6	469(172)	472(175)	493(196)	476(179)
		Double											
	3 position	Closed center		7.5	0.33	1.8	7.3	0.30	1.7	512(215)	518(221)	560(263)	526(229)
		Exhaust center		7.2	0.34	1.7	13 [4.0]	0.23 [0.41]	2.8 [0.95]				
		Pressure center		12 [3.3]	0.26 [0.41]	2.8 [0.84]	6.7	0.40	1.9				

 Note 1) []: denotes normal position.
Note 2) (): Without sub-plate.

How to Order Connector assemblies for L/M plug connector

How to Order Pilot valve assembly

10—V111—5—G—

Coil specifications

Nil	Standard
T	With power saving circuit (24 VDC, 12 VDC only)

* Power saving circuit is not available in the case of "D", "DO" or "W□" type.

Rated voltage

5	24 VDC
6	12 VDC
V	6 VDC
S	5 VDC
R	3 VDC
1	100 VAC 50/60Hz
2	200 VAC 50/60Hz
3	110 VAC 50/60Hz [115 VAC 50/60Hz]
4	220 VAC 50/60Hz [230 VAC 50/60Hz]

* For type "W□", DC voltage is only available.

Light/Surge voltage suppressor

Nil	Without light/surge voltage suppressor
S	With surge voltage suppressor
Z	With light/surge voltage suppressor
R	With surge voltage suppressor (non-polar type)
U	With light/surge voltage suppressor (non-polar type)

* For AC voltage valves there is no "S" option. It is already built-in to the rectifier circuit.
* For "R" and "U", DC voltage is only available.
* Power saving circuit is only available in the "Z" type.

Electrical entry

G	Grommet (300 mm lead wire)	
H	Grommet (600 mm lead wire)	
L	L plug connector	With lead wire
LN		Without lead wire
LO		Without connector
M	M plug connector	With lead wire
MN		Without lead wire
MO		Without connector
WO	M8 Connector	Without connector cable
W□		Without connector cable <small>Note 1)</small>

* For connector cable of M8 connector, refer to page 490.
Note 1) A symbol for cable length is described in □. Please refer to page 491.

■DIN terminal type

10—V115—5—D—

Rated voltage

5	24 VDC
6	12 VDC
1	100 VAC 50/60Hz
2	200 VAC 50/60Hz
3	110 VAC 50/60Hz [115 VAC 50/60Hz]
4	220 VAC 50/60Hz [230 VAC 50/60Hz]

* DC specifications of type "D" and "DO" is only available with 12 and 24 VDC.

Light/Surge voltage suppressor

Nil	Without light/surge voltage suppressor
S	With surge voltage suppressor (non-polar type)
Z	With light/surge voltage suppressor (non-polar type)

* DOZ is not available.
* For AC voltage valves there is no "S" option. It is already built-in to the rectifier circuit.

Electrical entry

D	DIN terminal	With connector
DO	DIN terminal	Without connector

Note) Do not replace 10-V111 (G, H, L, M) to 10-V115 (DIN terminal) and vice versa when replacing pilot valve assembly only.

How to Order M8 Connector cable

■Straight type

V100—49—1—□

Cable length

1	300mm
2	500mm
3	1000mm
4	2000mm
7	5000mm

For DC: SY100-30-4A-□
For 100 V AC: SY100-30-1A-□
For 200 V AC: SY100-30-2A-□
For other voltages of AC: SY100-30-3A-□
Without lead wire: SY100-30-A
(with connector and 2 of sockets only)

Lead wire length

Nil	300mm
6	600mm
10	1000mm
15	1500mm
20	2000mm
25	2500mm
30	3000mm
50	5000mm

Air cylinder

Rotary actuator

Air gripper

Directional control valve

Flow control equipment

Filter, Pressure control equipment

Fittings & Tubing

Air preparation equipment

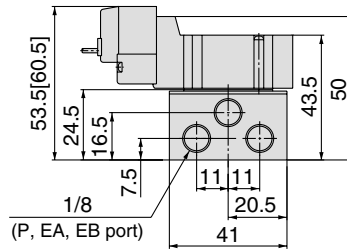
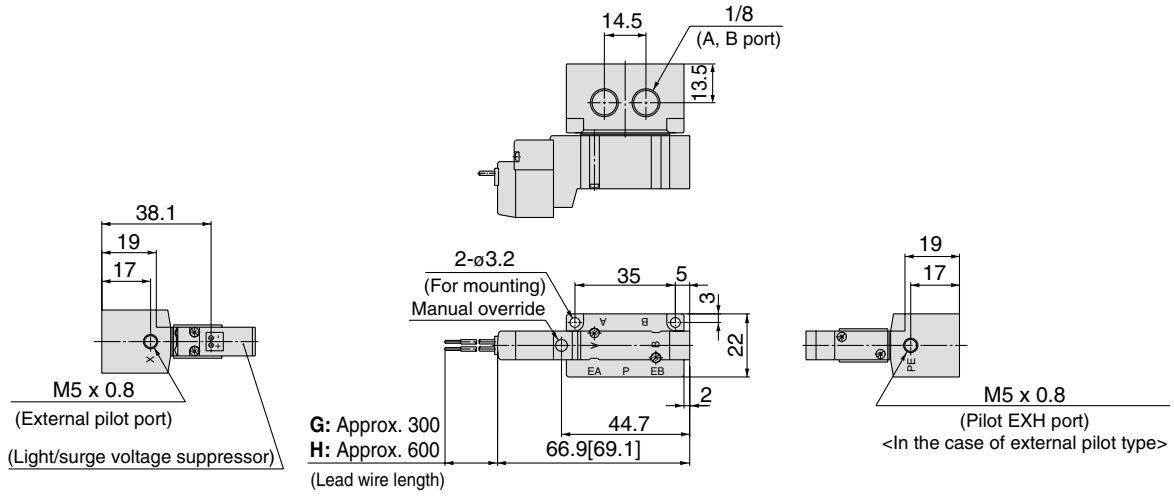
Pressure switch

Clean gas filter

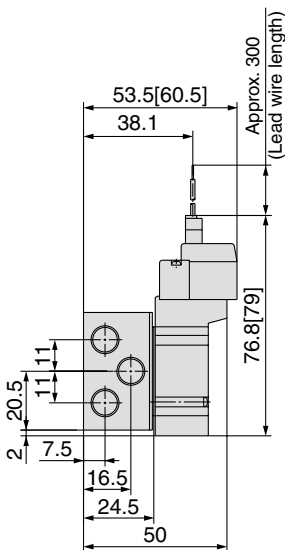
Dimensions: Series 10-SY3000

2 position single

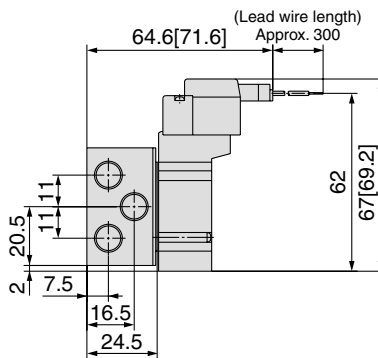
Grommet (G), (H): 10-SY3140(R)-□G□□-01□



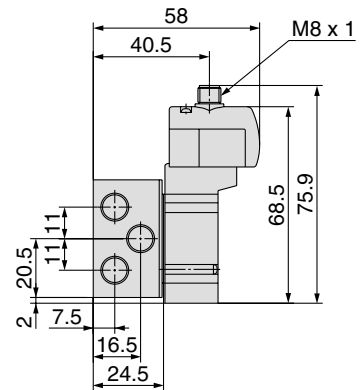
L plug connector (L):
10-SY3140(R)-□L□□-01□



M plug connector (M):
10-SY3140(R)-□M□□-01□



M8 connector (WO):
10-SY3140(R)-□WO□□-01□

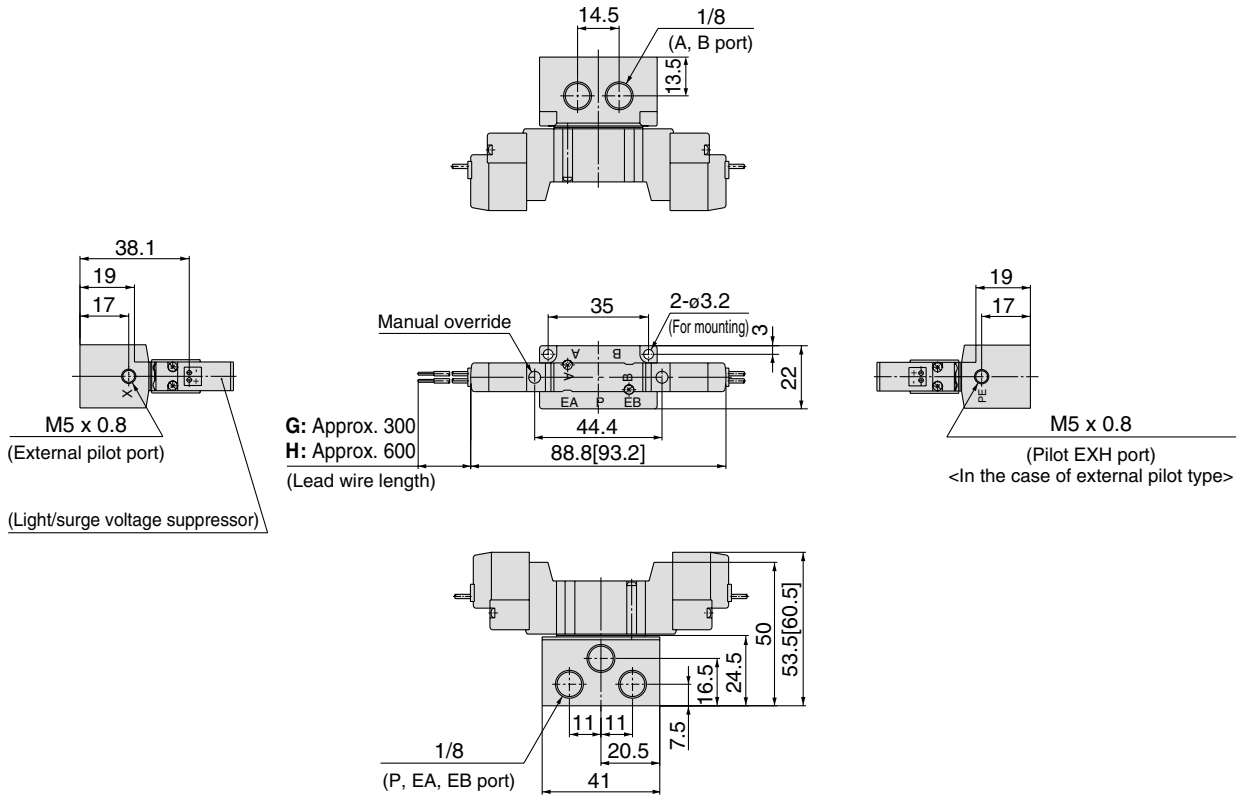


Note) Refer to page 490 for dimensions of model with connector.

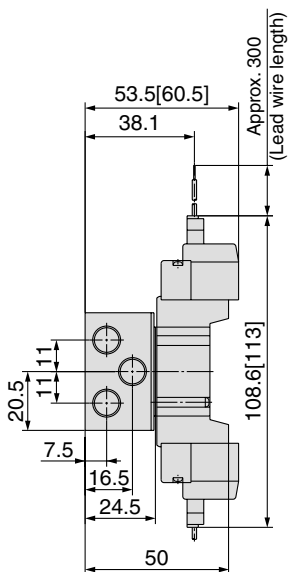
Dimensions: Series 10-SY3000

2 position double

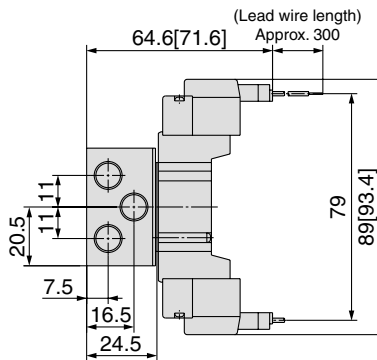
Grommet (G), (H): 10-SY3240(R)-□ $\begin{matrix} G \\ H \end{matrix}$ □□-01□



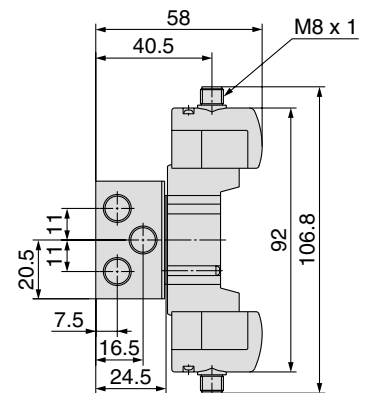
L plug connector (L):
10-SY3240(R)-□L□□-01□



M plug connector (M):
10-SY3240(R)-□M□□-01□




M8 connector (WO)
10-SY3240(R)-□WO□□-01□



Note) Refer to page 490 for dimensions of model with connector.

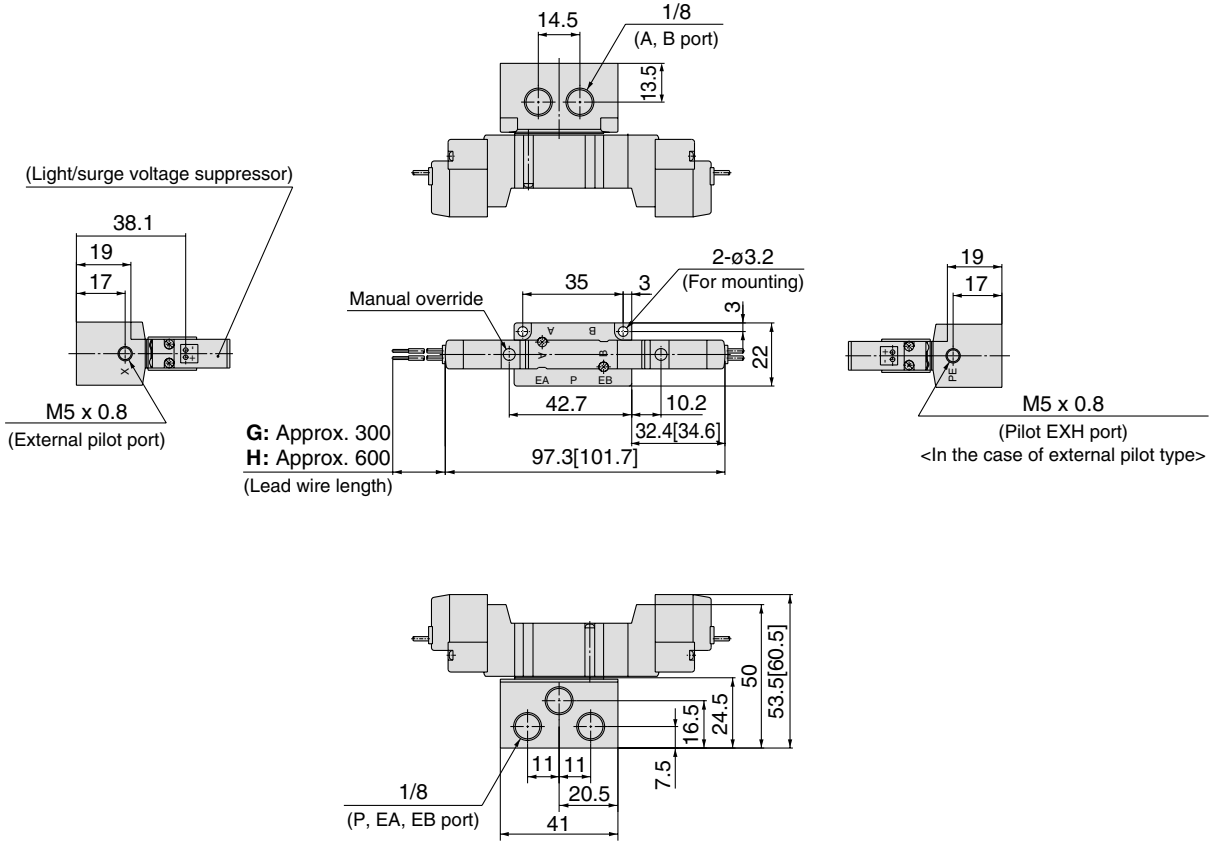
Air cylinder
Rotary actuator
Air gripper
Directional control valve
Flow control equipment
Filter, Pressure control equipment
Fittings & Tubing
Air preparation equipment
Pressure switch
Clean gas filter

Dimensions: Series 10-SY3000

 Note) []: In case of AC

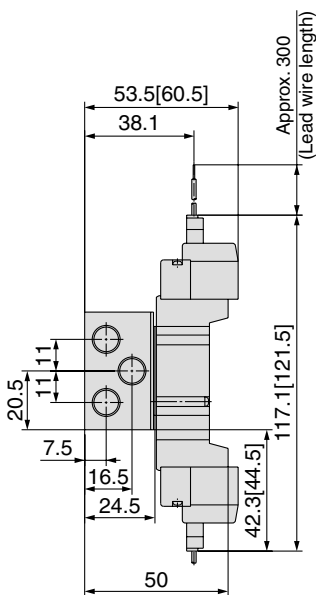
3 position closed center / exhaust center / pressure center

Grommet (G), (H): 10-SY3³/₅40(R)-□□G□□-01□



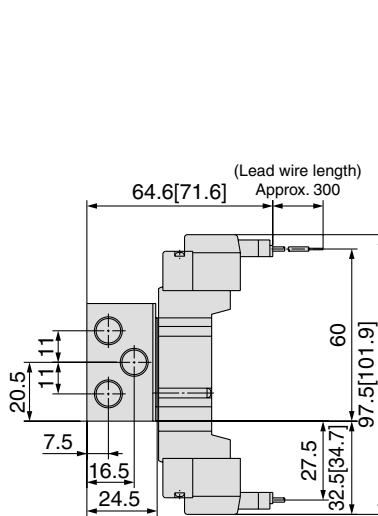
L plug connector (L):

10-SY3³/₅40(R)-□□L□□-01□



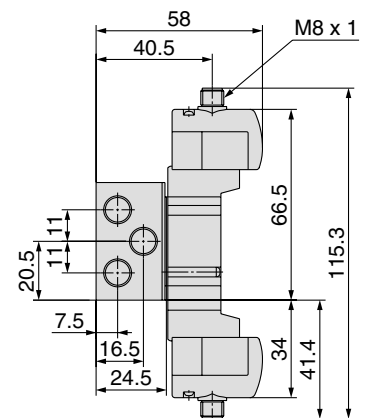
M plug connector (M):

10-SY3³/₅40(R)-□□M□□-01□




M8 connector (WO):

10-SY3³/₅40(R)-□□WO□□-01□



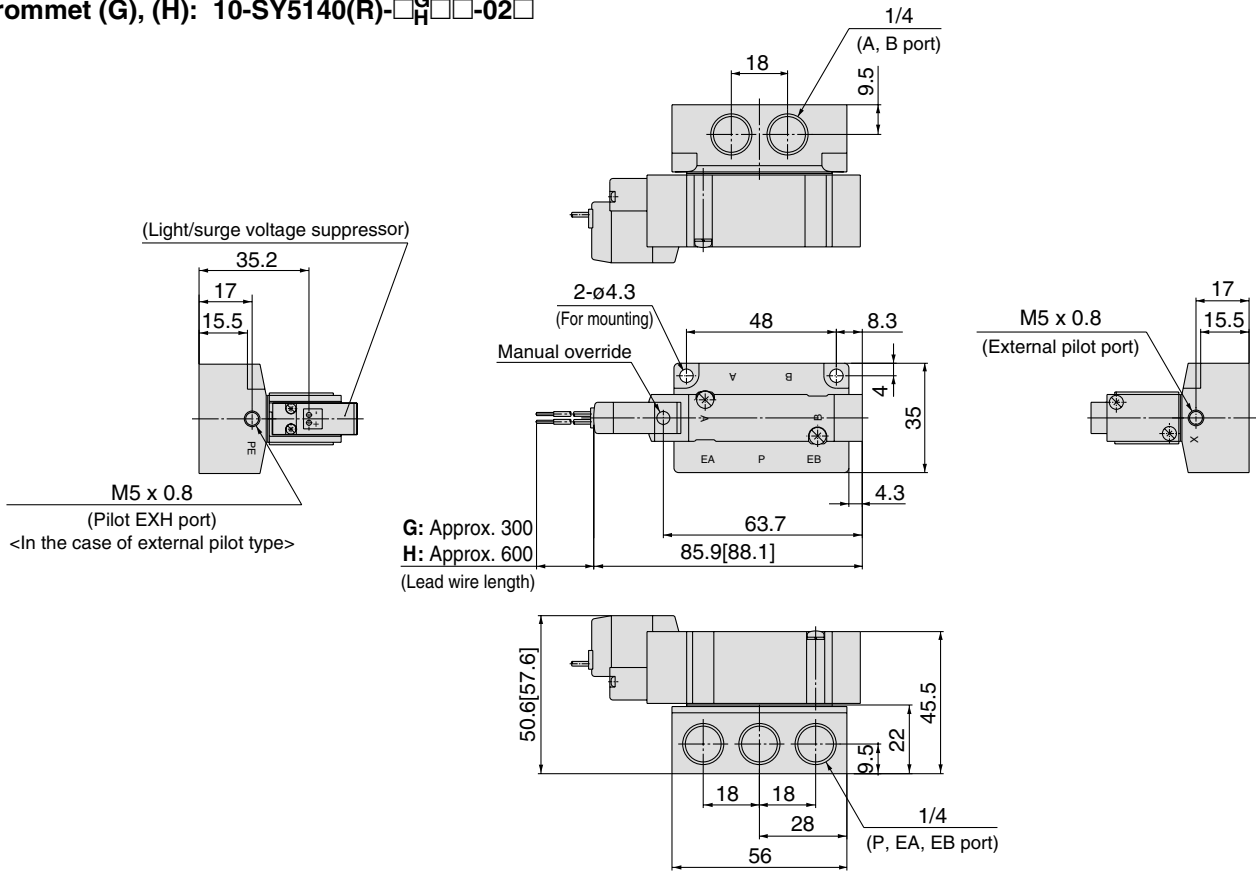
Note) Refer to page 490 for dimensions of model with connector.

Dimensions: Series 10-SY5000

 Note) []: In case of AC

2 position single

Grommet (G), (H): 10-SY5140(R)-□^G□□-02□

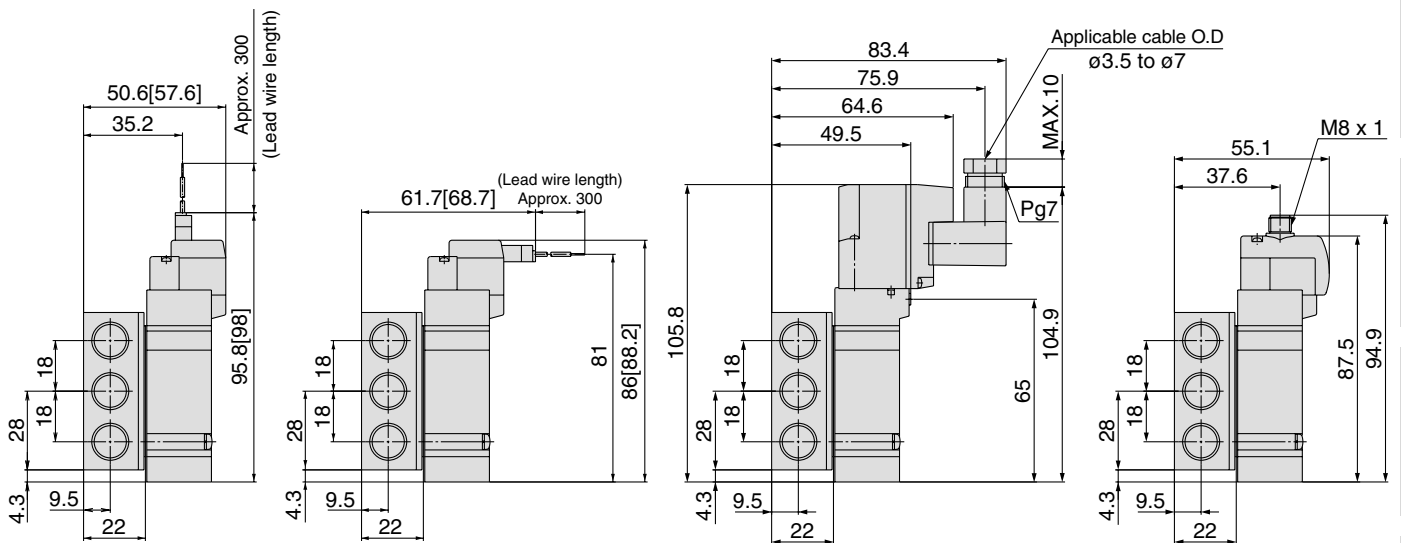


L plug connector (L):
10-SY5140(R)-□L□□-02□

M plug connector (M):
10-SY5140(R)-□M□□-02□

DIN terminal (D):
10-SY5140(R)-□D□□-02□

M8 connector (WO)
10-SY5140(R)-□WO□□-02□



Note) Refer to page 490 for dimensions of model with connector.

Air cylinder

Rotary actuator

Air gripper

Directional control valve

Flow control equipment

Filter, Pressure control equipment


Fittings & Tubing

Air preparation equipment

Pressure switch

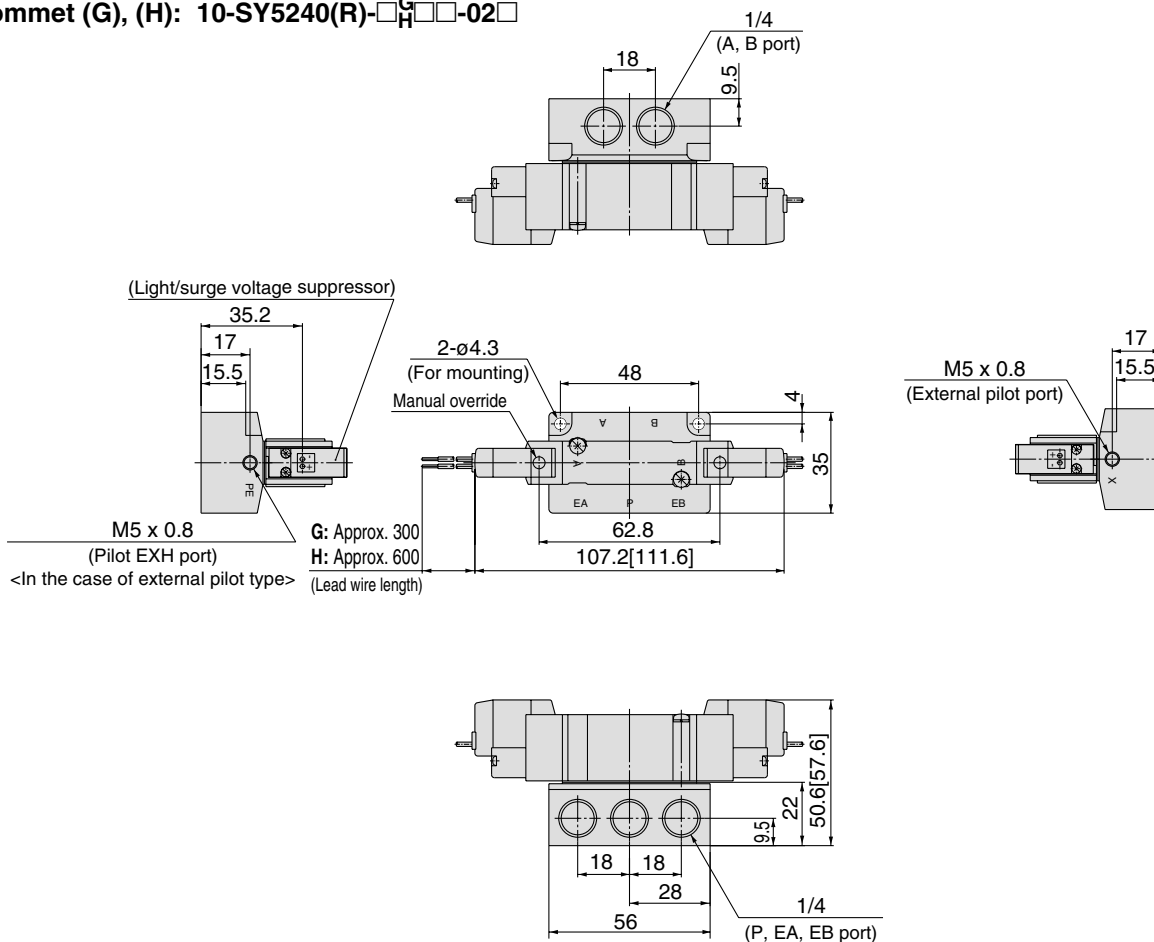
Clean gas filter

Dimensions: Series 10-SY5000

 Note) []: In case of AC

2 position double

Grommet (G), (H): 10-SY5240(R)-□G□□-02□



L plug connector (L):

10-SY5240(R)-□L□□-02□

M plug connector (M):

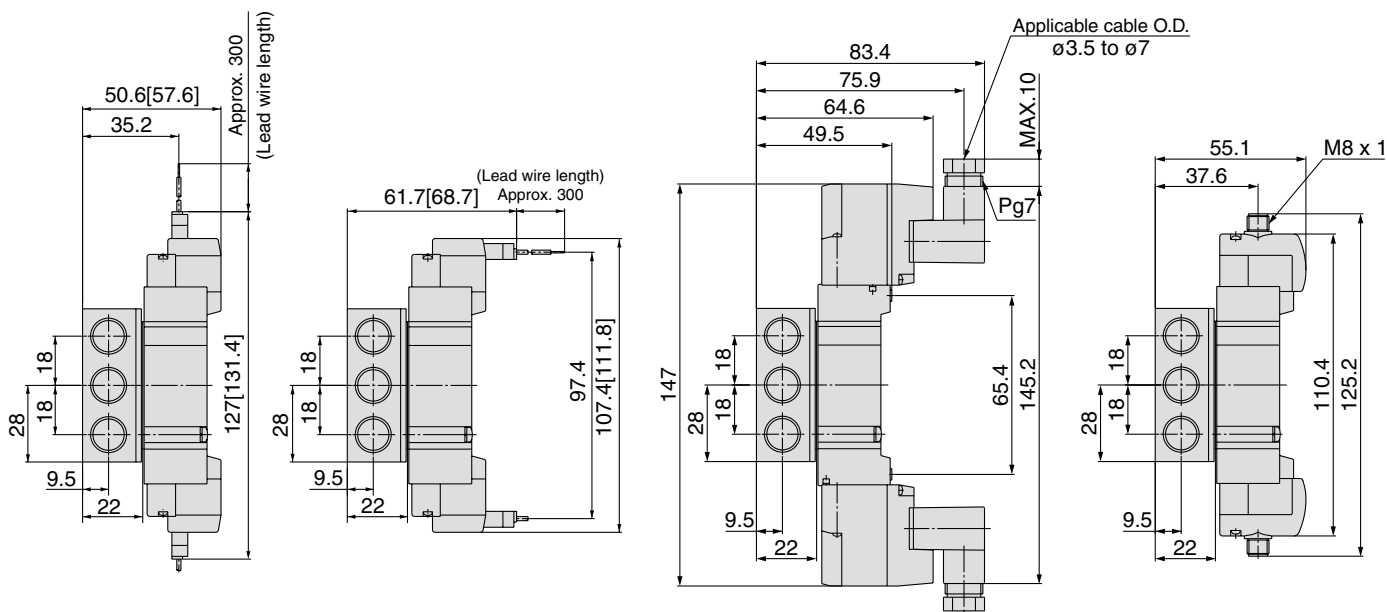
10-SY5240(R)-□M□□-02□

DIN terminal (D):

10-SY5240(R)-□D□□-02□

M8 connector (WO)

10-SY5240(R)-□WO□□-02□



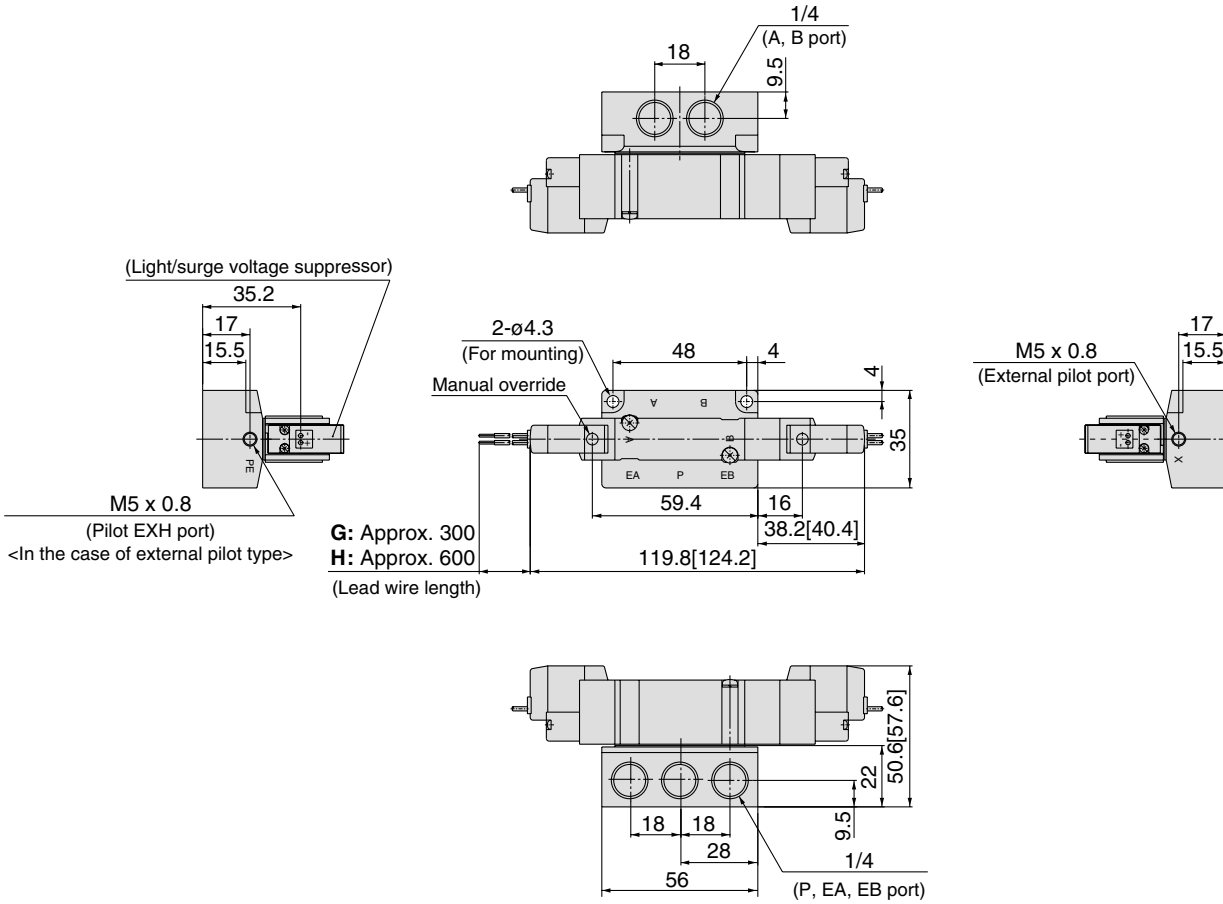
Note) Refer to page 490 for dimensions of connector types.

Dimensions: Series 10-SY5000

Note) []: In case of AC

3 position closed center / exhaust center / pressure center

Grommet (G), (H): 10-SY5³/₅40(R)-□^G□□-02□



L plug connector (L):

10-SY5³/₅40(R)-□L□□-02□

M plug connector (M):

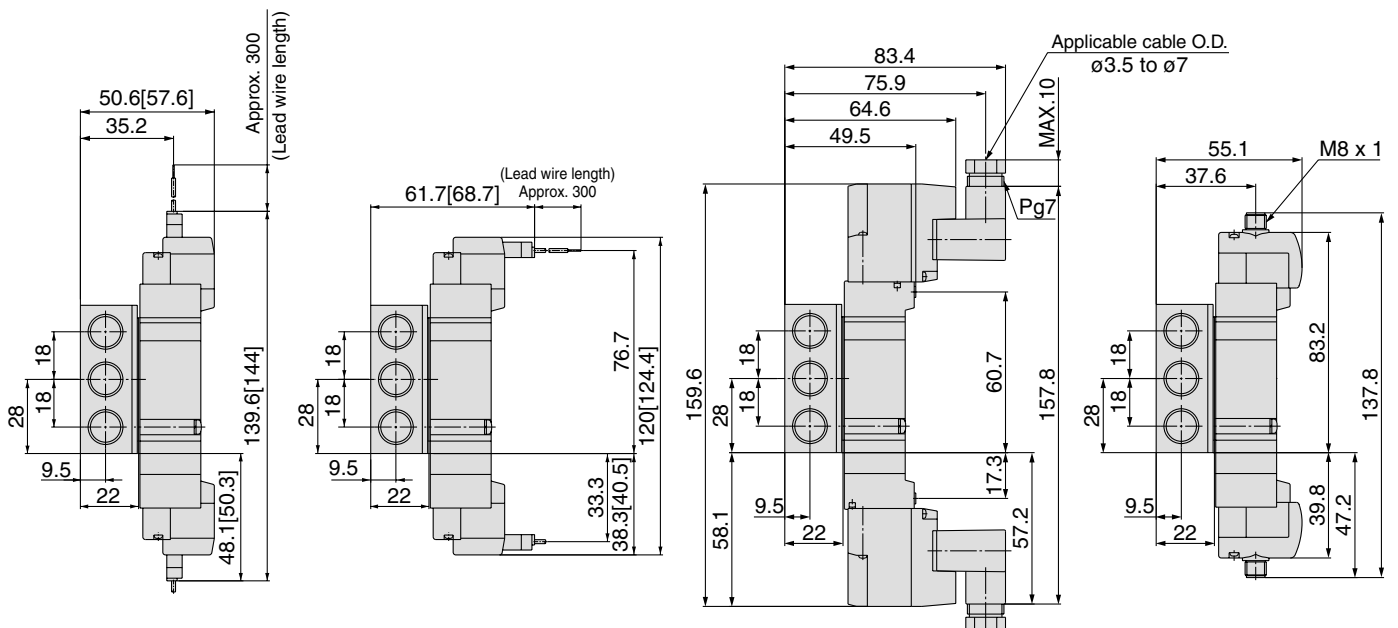
10-SY5³/₅40(R)-□M□□-02□

DIN terminal (D):

10-SY5³/₅40(R)-□D□□-02□


M8 connector (WO)

10-SY5³/₅40(R)-□WO□□-02□



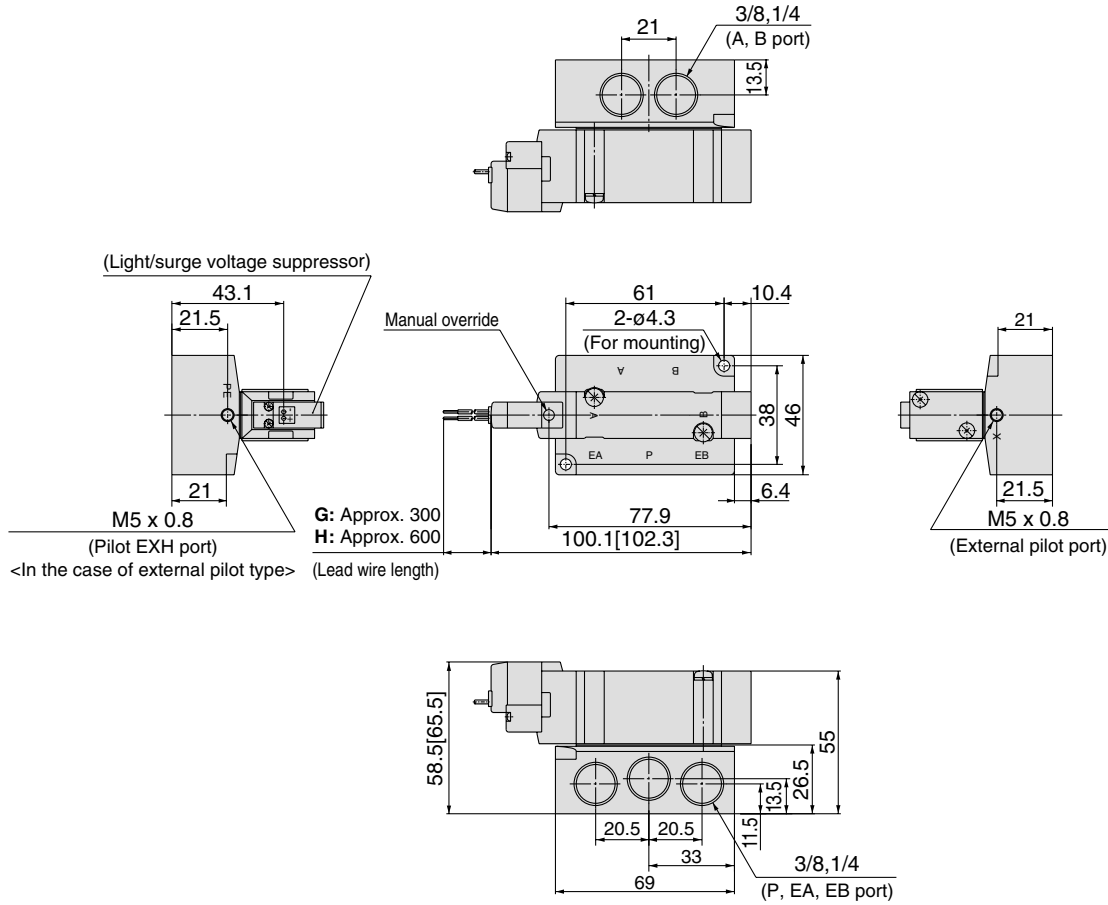
Note) Refer to page 490 for dimensions of model with connector.

Dimensions: Series 10-SY7000

 Note) []: In case of AC

2 position single

Grommet (G), (H): 10-SY7140(R)-□G□□-02□
H□□□-03□

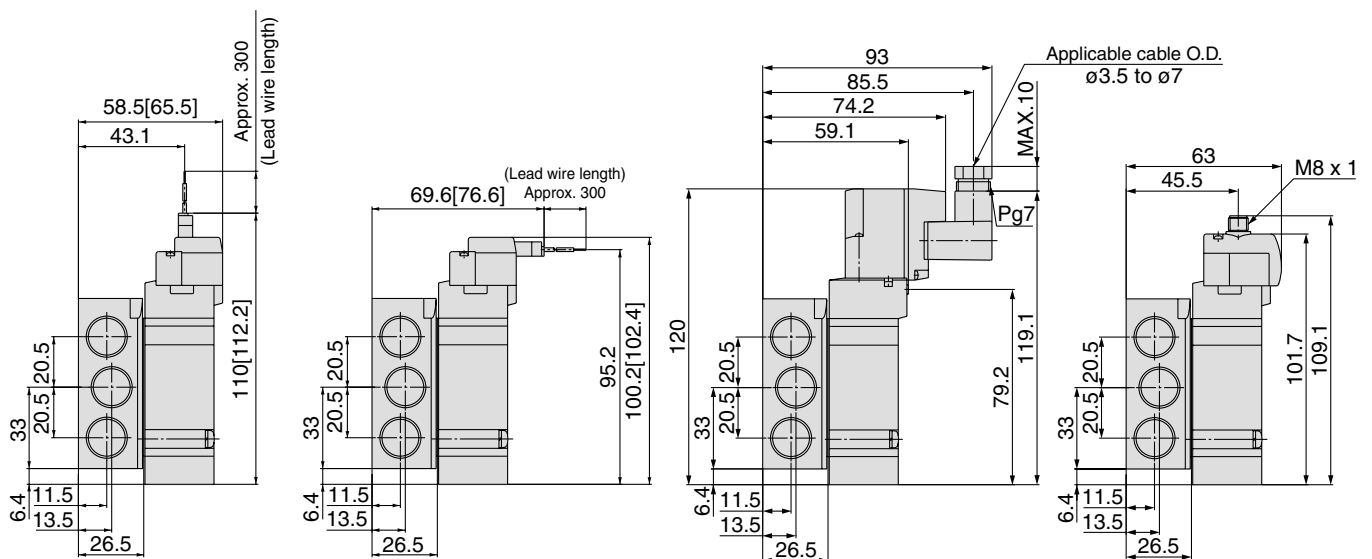


L plug connector (L):
10-SY7140(R)-□L□□-02□
□□□□-03□

M plug connector (M):
10-SY7140(R)-□M□□-02□
□□□□-03□


DIN terminal (D):
10-SY7140(R)-□D□□-02□
□□□□-03□

M8 connector (WO)
10-SY7140(R)-□WO□□-02□
□□□□-03□



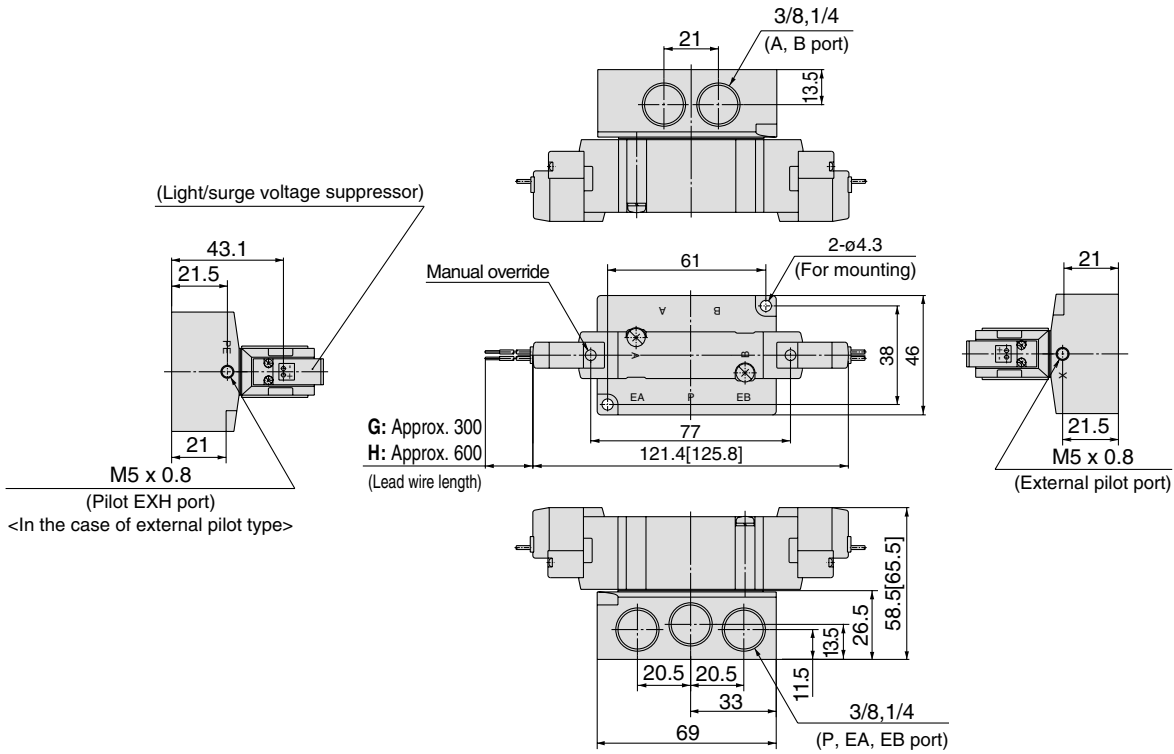
Note) Refer to page 490 for dimensions of model with connector.

Dimensions: Series 10-SY7000

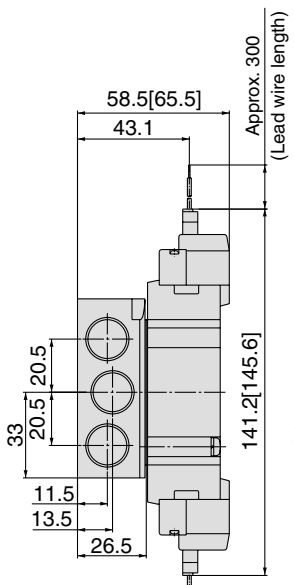
 Note) []: In case of AC

2 position double

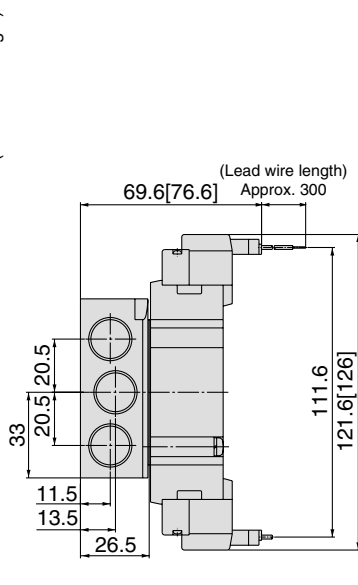
Grommet (G), (H): 10-SY7240(R)-□G□□-02□□



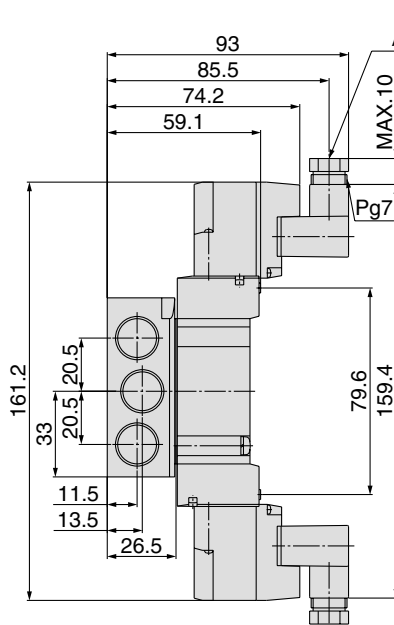
L plug connector (L):
10-SY7240(R)-□L□□-02□□



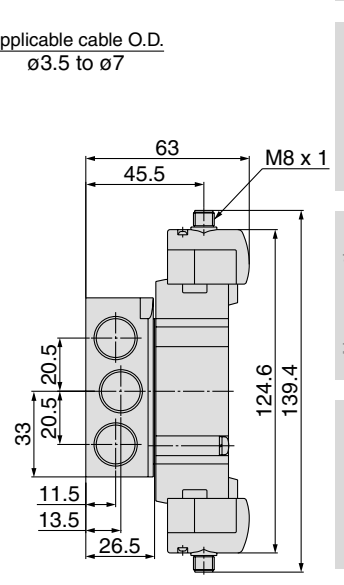
M plug connector (M):
10-SY7240(R)-□M□□-02□□



DIN terminal (D):
10-SY7240(R)-□D□□-02□□



M8 connector (WO):
10-SY7240(R)-□WO□□-02□□



Note) Refer to page 490 for dimensions of model with connector.

Air cylinder
Rotary actuator
Air gripper
Directional control valve
Flow control equipment
Filter, Pressure control equipment
Fittings & Tubing
Air preparation equipment
Pressure switch
Clean gas filter

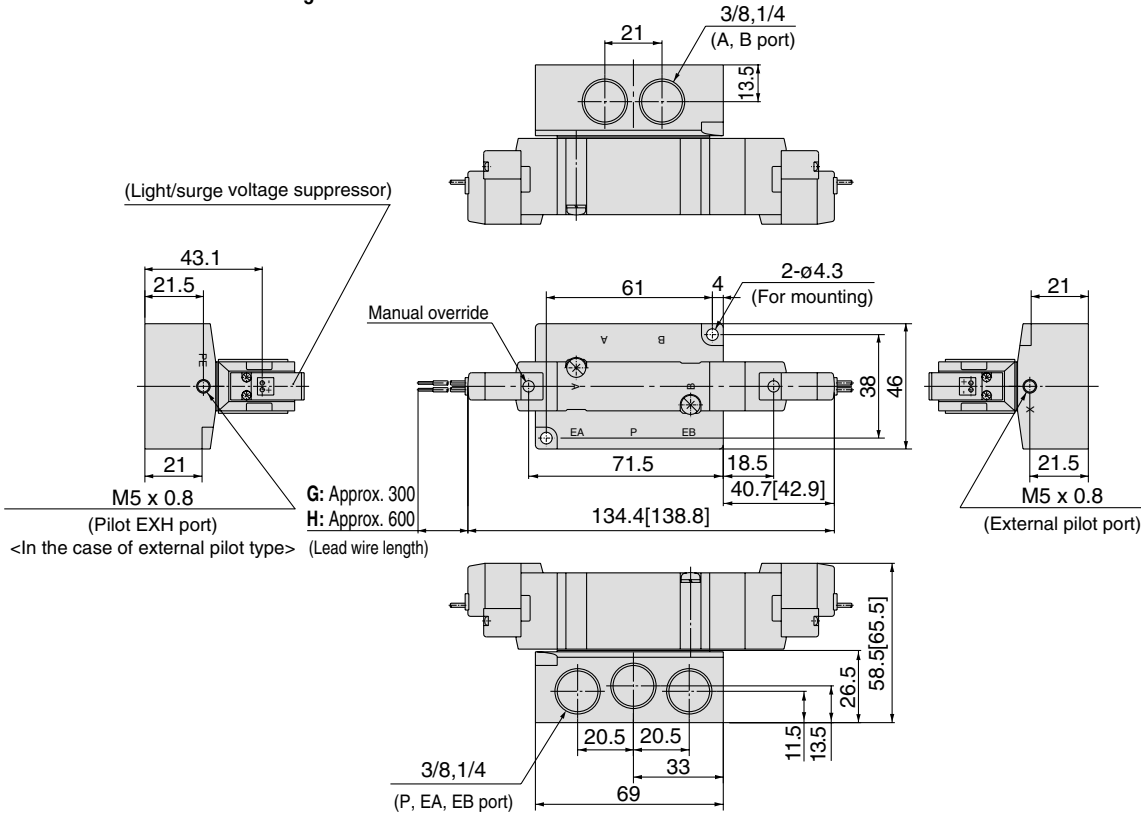
Dimensions: Series 10-SY7000



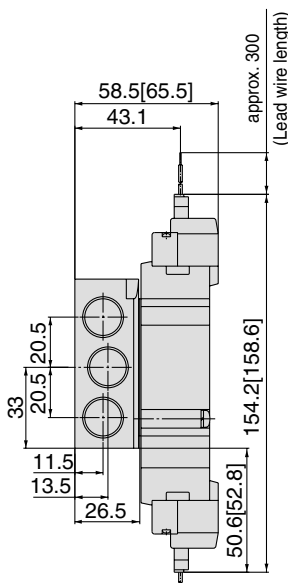
Note) []: In case of AC

3 position closed center / exhaust center / pressure center

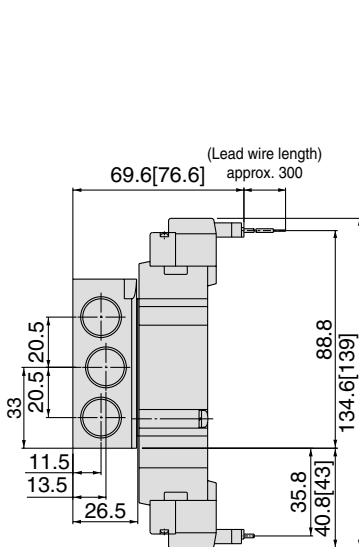
Grommet (G), (H): 10-SY7³/₅40(R)-□G□□-02□
 H: 10-SY7³/₅40(R)-□H□□-02□



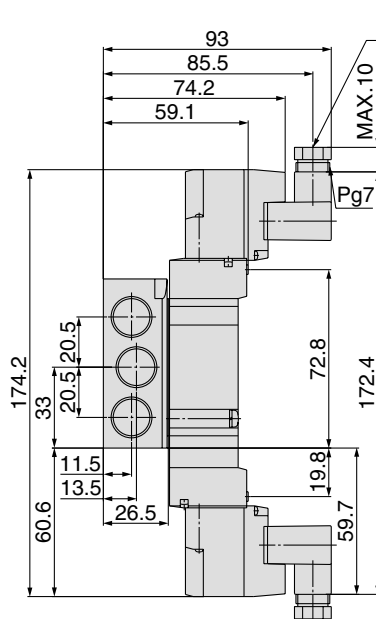
L plug connector (L):
 10-SY7³/₅40(R)-□L□□-02□



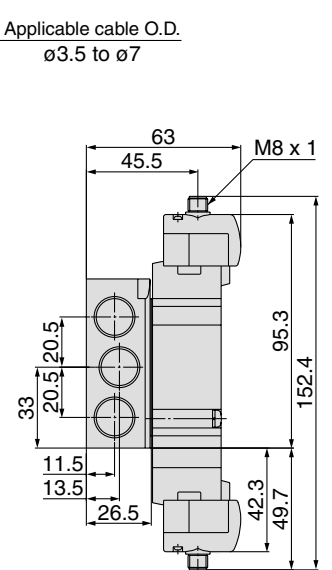
M plug connector (M):
 10-SY7³/₅40(R)-□M□□-02□



DIN terminal (D):
 10-SY7³/₅40(R)-□D□□-02□




M8 connector (WO):
 10-SY7³/₅40(R)-□WO□□-02□



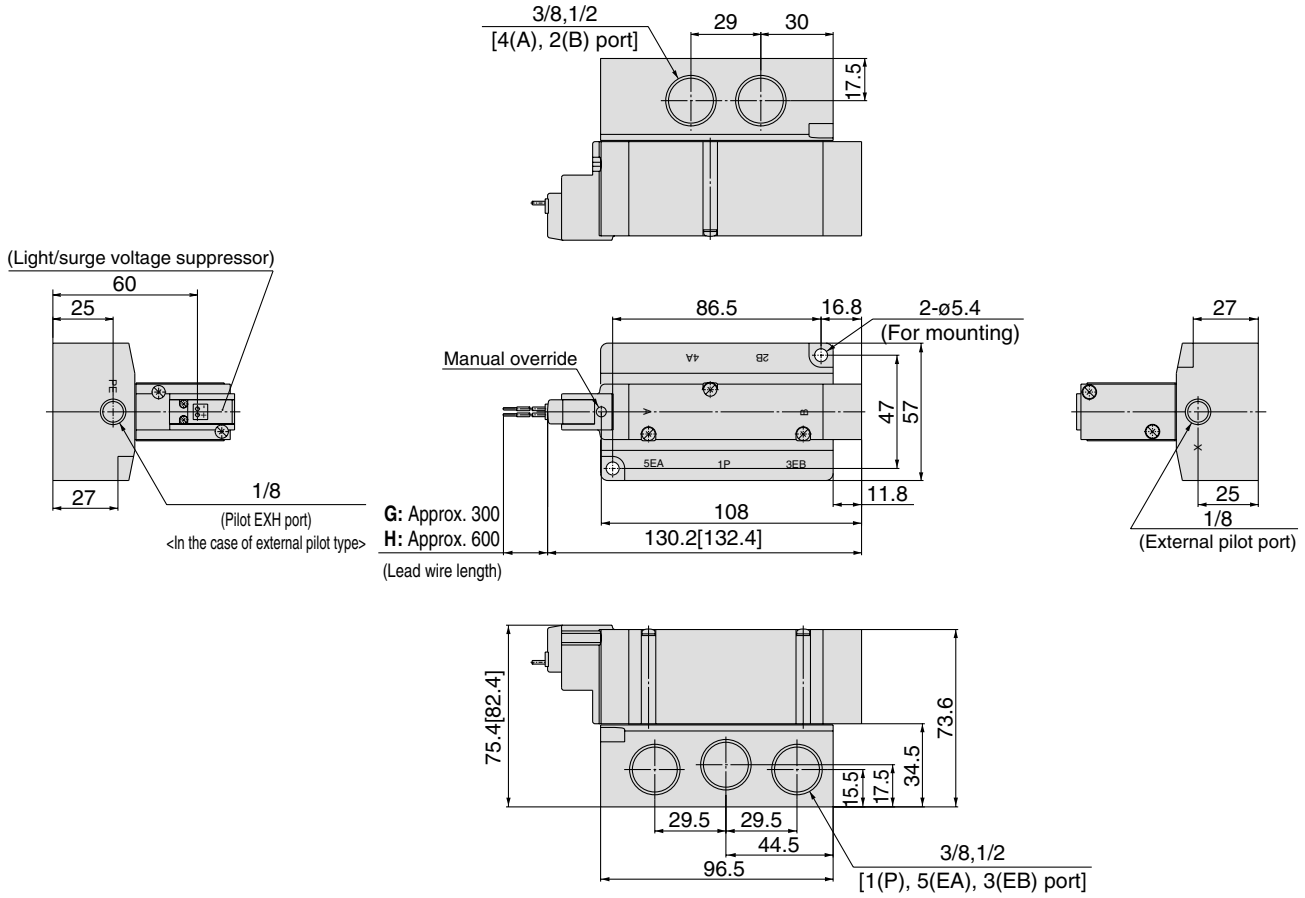
Note) Refer to page 490 for dimensions of connector types.

Dimensions: Series 10-SY9000

 Note) []: In case of AC

2 position single

Grommet (G), (H): 10-SY9140(R)-□G□□-03□□
□H□□-04□□

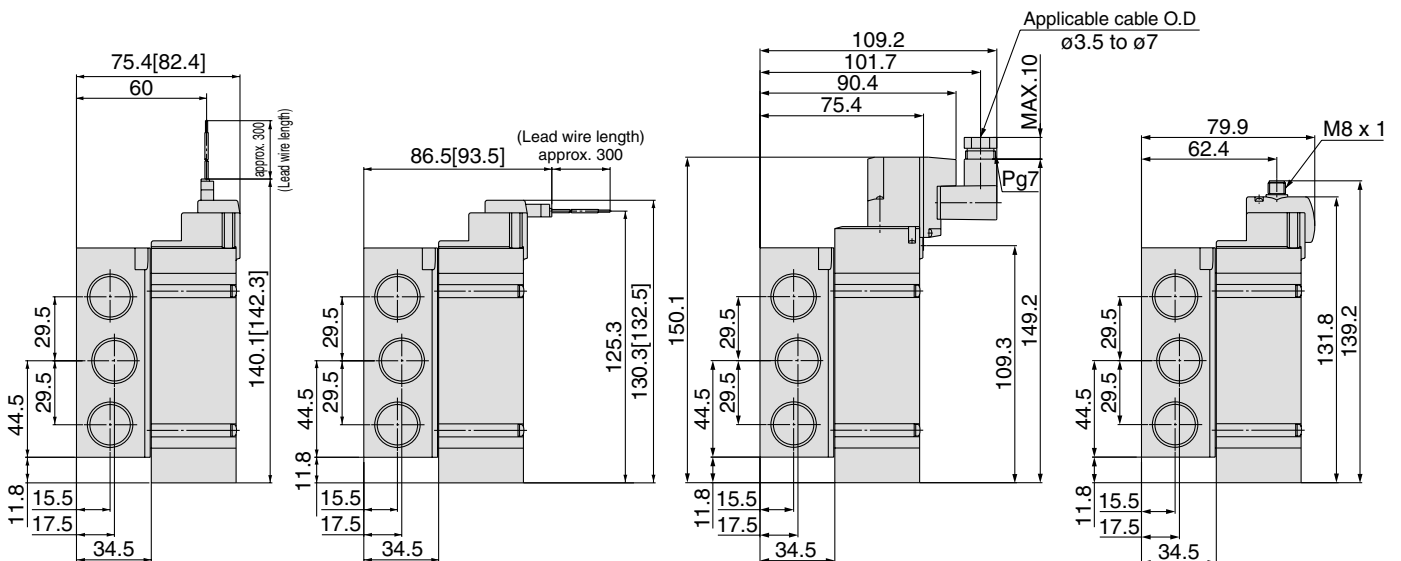


L plug connector (L):
10-SY9140(R)-□L□□-03□□
□H□□-04□□

M plug connector (M):
10-SY9140(R)-□M□□-03□□
□H□□-04□□

DIN terminal (D):
10-SY9140(R)-□D□□-03□□
□H□□-04□□

M8 connector (WO):
10-SY9140(R)-□WO□□-03□□
□H□□-04□□



Note) Refer to page 490 for dimensions of connector types.

Air cylinder

Rotary actuator

Air gripper

Directional control valve

Flow control equipment

Filter, Pressure control equipment

Fittings & Tubing

Air preparation equipment

Pressure switch

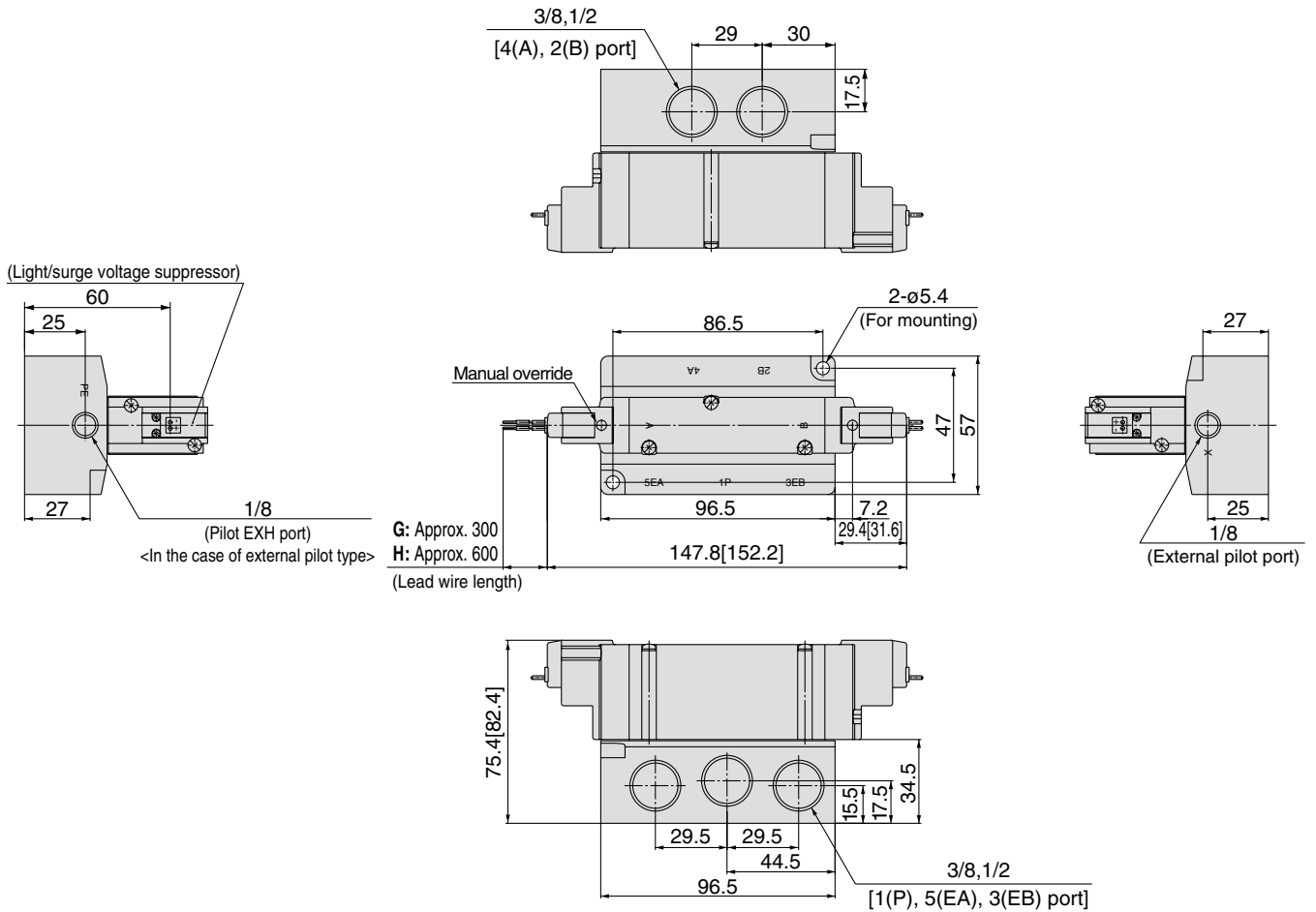
Clean gas filter



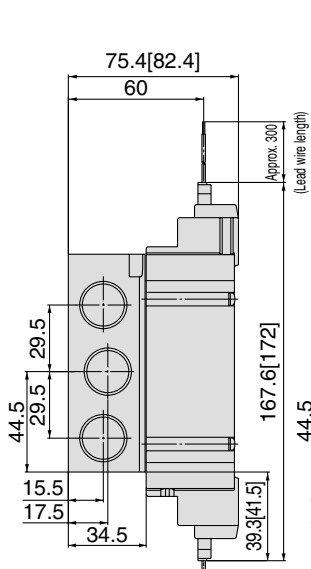
Dimensions: Series 10-SY9000

2 position double

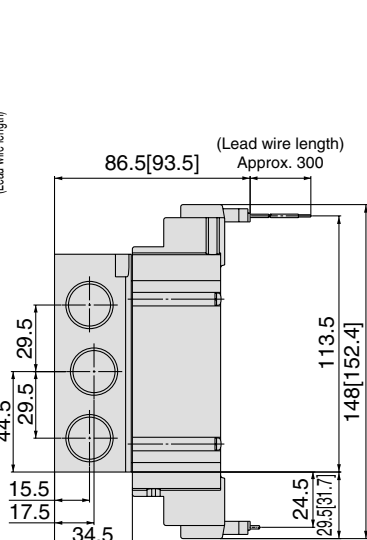
Grommet (G)/(H): 10-SY9240(R)-□_G□□-03□_H□□-04□



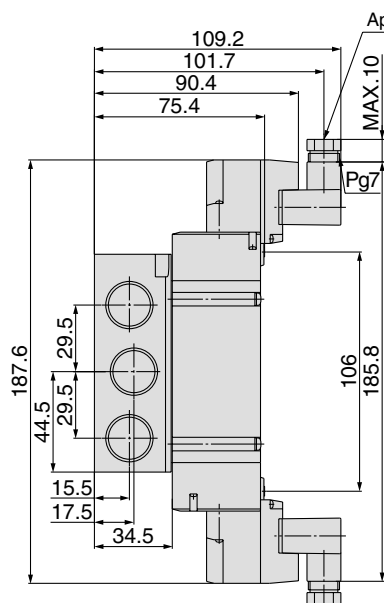
L plug connector (L):
10-SY9240(R)-□L□□-03□_L□□-04□



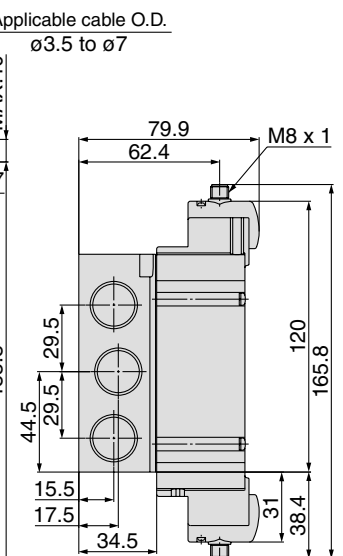
M plug connector (M):
10-SY9240(R)-□M□□-03□_M□□-04□



DIN terminal (D):
10-SY9240(R)-□D□□-03□_D□□-04□



M8 connector (WO):
10-SY9240(R)-□WO□□-03□_{WO}□□-04□



Note) Refer to page 490 for dimensions of connector types.

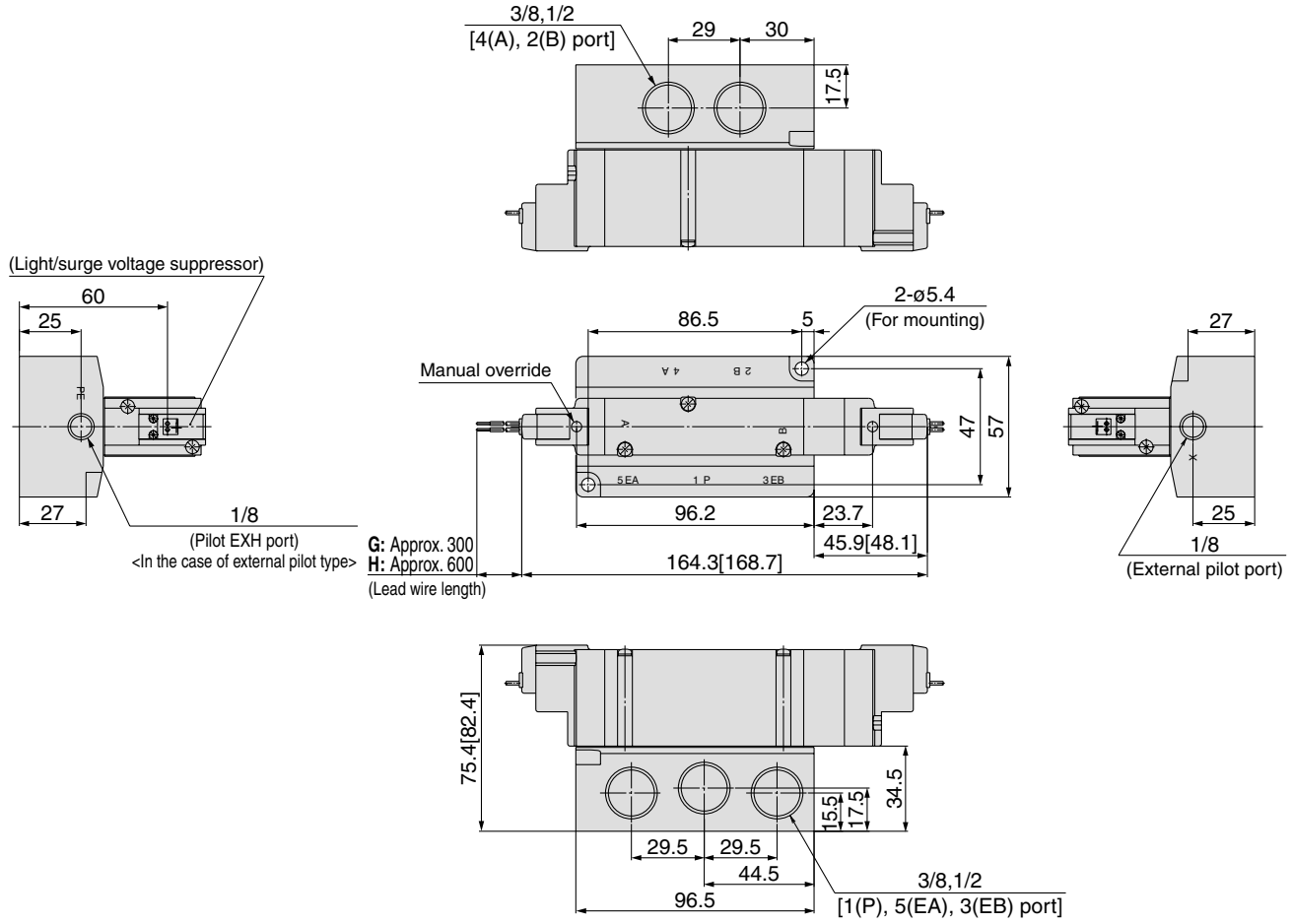
Dimensions: Series 10-SY9000



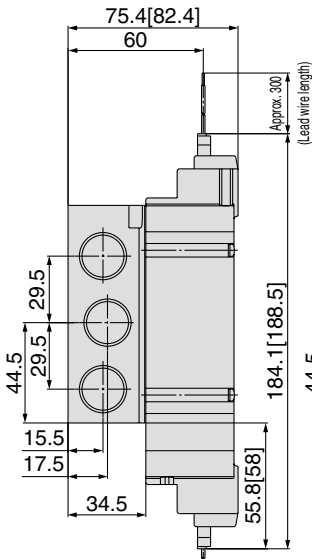
Note) []: In case of AC

3 position closed center / exhaust center / pressure center

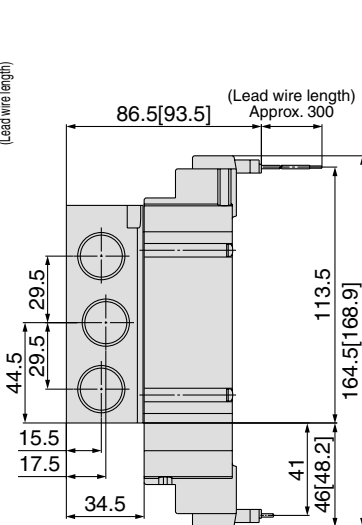
Grommet(G),(H): 10-SY9³/₅440(R)-□^G□□□⁰³□₀₄



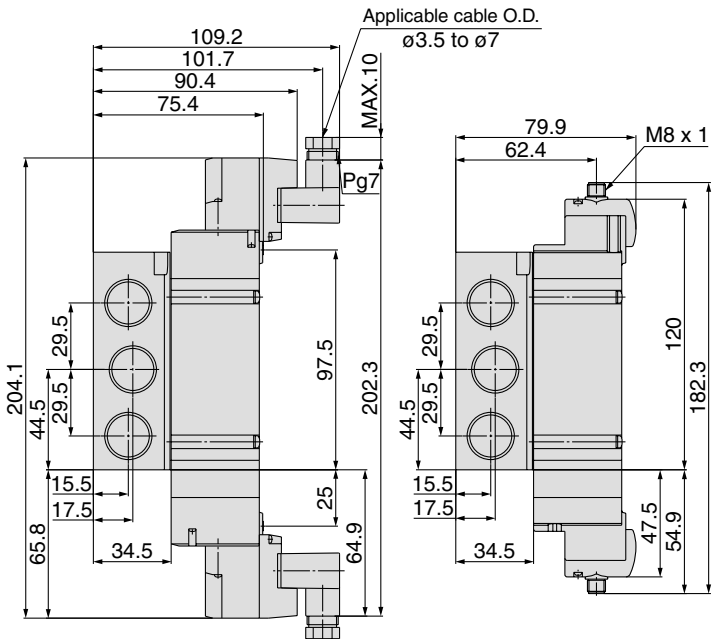
L plug connector (L):
10-SY9³/₅440(R)-□L□□□⁰³□₀₄



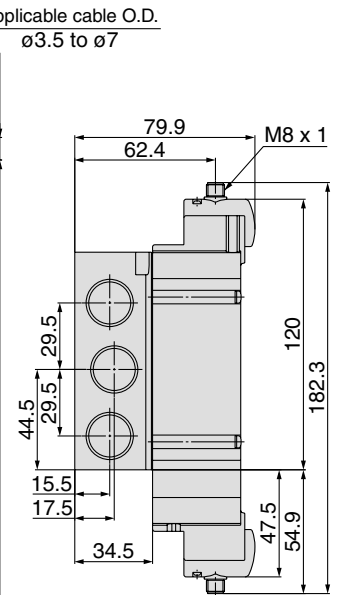
M plug connector (M):
10-SY9³/₅440(R)-□M□□□⁰³□₀₄



DIN terminal (D):
10-SY9³/₅440(R)-□D□□□⁰³□₀₄



M8 connector (WO):
10-SY9³/₅440(R)-□WO□□□⁰³□₀₄



Note) Refer to page 490 for dimensions of connector types.

Air cylinder

Rotary actuator

Air gripper

Directional control valve

Flow control equipment

Filter, Pressure control equipment

Fittings & Tubing

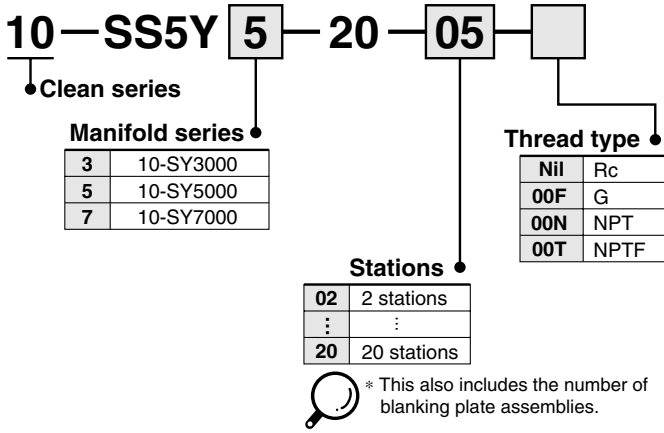
Air preparation equipment

Pressure switch

Clean gas filter

Series 10-SY3000/5000/7000 Type 20 Body Ported Type Manifold Bar Stock / Individual Wiring

How to Order Manifold



How to Order for Manifold Assembly

Ordering example

Cylinder port size
C6: With One-touch fitting for ø6

Double solenoid (24 VDC)
10-SY3220-5G-C6 (2 sets)

Single solenoid (24 VDC)
10-SY3120-5G-C6 (2 sets)

Blanking plate assembly
SY3000-26-9A (1 set)

Manifold base (5 stations)
10-SS5Y3-20-05

Stations ...3 2 1

10-SS5Y3-20-05...1 set (Type 20, 5 stations manifold base part no.)
 * **SY3000-26-9A...1 set (Blanking plate assembly part no.)**
 * **10-SY3120-5G-C6...2 sets (Single solenoid part no.)**
 * **10-SY3220-5G-C6...2 sets (Double solenoid part no.)**

→ * The asterisk denotes the symbol for assembly. Prefix it to the part nos. of the solenoid valve, etc .

Add the valve and option part numbers in order starting from the first station as shown above. When entry of part numbers becomes complicated, indicate on a manifold specification sheet.

How to Order Valves

10—SY 5 1 20 □ 5 L □ □ 01 □

• Clean series

• Series

3	10-SY3000
5	10-SY5000
7	10-SY7000

• Type of actuation

1	2 position single
2	2 position double
3	3 position closed center
4	3 position exhaust center
5	3 position pressure center

• Coil specifications

Nil	Standard
T	With power saving circuit (24 VDC, 12 VDC only)

* Power saving circuit is not available in the case of "D", "DO" or "W□" type.

• Rated voltage

DC		AC(50/60Hz)	
5	24 VDC	1	100 VAC
6	12 VDC	2	200 VAC
V	6 VDC	3	110 VAC [115 VAC]
S	5 VDC	4	220 VAC [230 VAC]
R	3 VDC		

* DC specifications of type "D" and "DO" is only available with 12 and 24 VDC.
* For type "W□", DC voltage is only available.

• Thread type

Nil	Rc
F	G
N	NPT
T	NPTF

* Not including M5

• A, B port size
Thread piping

Symbol	Port size	Applicable series
M5	M5 x 0.8	10-SY3000
01	1/8	10-SY5000
02	1/4	10-SY7000

• One-touch fitting (Metric size)

Symbol	Port size	Applicable series
C4	One-touch fitting for ø4	10-SY3000
C6	One-touch fitting for ø6	
C4	One-touch fitting for ø4	
C6	One-touch fitting for ø6	10-SY5000
C8	One-touch fitting for ø8	
C8	One-touch fitting for ø8	
C10	One-touch fitting for ø10	10-SY7000

• One-touch fitting (Inch size)

Symbol	Port size	Applicable series
N3	Applicable One-touch fittings for ø 5/32	10-SY3000
N7	Applicable One-touch fittings for ø 1/4	
N3	Applicable One-touch fittings for ø 5/32	
N7	Applicable One-touch fittings for ø 1/4	10-SY5000
N9	Applicable One-touch fittings for ø 5/16	
N9	Applicable One-touch fittings for ø 5/16	
N11	Applicable One-touch fittings for ø 3/8	10-SY7000

• Manual override

Nil	Non-locking push type
D	Push-turn locking slotted type
E	Push-turn locking lever type

• Light/surge voltage suppressor
Electrical entry for G, H, L, M, W

Nil	Without light/surge voltage suppressor
S	With surge voltage suppressor
Z	With light/surge voltage suppressor
R	With surge voltage suppressor (non-polar type)
U	With light/surge voltage suppressor (non-polar type)

* For AC voltage valves there is no "S" option. It is already built-in to the rectifier circuit.
* For "R" and "U", DC voltage is only available.
* Power saving circuit is only available in the "Z" type.

• Electrical entry for D

Nil	Without light/surge voltage suppressor
S	With surge voltage suppressor (Non-polar type)
Z	With light/surge voltage suppressor (Non-polar type)

* "DOZ" is not available.
* For AC voltage valves there is no "S" option. It is already built-in to the rectifier circuit.

• Electrical entry

24, 12, 6, 5, 3 VDC 100, 110, 200, 220 VAC			24, 12 VDC 100, 110 VAC, 200, 220 VAC	24, 12 VDC 6, 5, 3 VDC
Grommet	L plug connector	M plug connector	DIN terminal	M8 Connector
G: Lead wire Length 300 mm	L: With lead wire (length 300 mm)	M: With lead wire (length 300 mm)	D: With connector	WO: Without connector cable
H: Lead wire Length 600 mm	LN: Without lead wire	MN: Without lead wire	DO: Without connector	W□: With connector cable ^{Note 1)}
	LO: Without connector	MO: Without connector		

* "LN", "MN" type: with 2 sockets.
* For DIN terminal of 10-SY3000 series, refer to page 488.
* DIN terminal type "Y" conforming to EN-175301-803C (previously DIN43650C) is available, too. For details, refer to page 482.
* For connector cable of M8 connector, refer to page 490.
Note 1) A symbol for cable length is described in □. Please refer to page 491.
(For details, refer to catalog in page 413.)

Note) When placing an order for body ported solenoid valve as a single unit, mounting bolt for manifold and gasket are not attached. Order them separately, if necessary.
(For details, refer to catalog in page 413.)

Air cylinder

Rotary actuator

Air gripper

Directional control valve

Flow control equipment

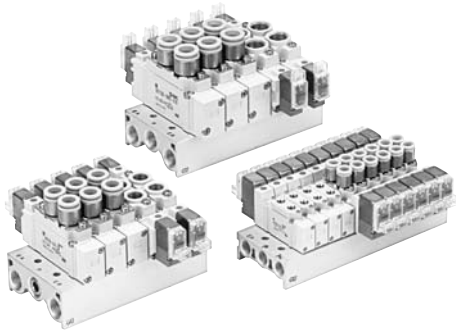
Filter, Pressure control equipment

Fittings & Tubing

Air preparation equipment


Pressure switch

Clean gas filter




Manifold Specifications

Model	10-SS5Y3-20	10-SS5Y5-20	10-SS5Y7-20	
Applicable valve	10-SY3□20	10-SY5□20	10-SY7□20	
Manifold type	Single base/B mount			
P (SUP) / R (EXH)	Common SUP, Common EXH			
Valve Stations	2 to 20 stations ^{Note 1)}			
A, B port location	Valve			
Port size	P, EA, EB port	1/8	1/4	1/4
	A, B port	M5 x 0.8 C4 (One-touch fitting for ø4) C6 (One-touch fitting for ø6)	1/8 C4 (One-touch fitting for ø4) C6 (One-touch fitting for ø6) C8 (One-touch fitting for ø8)	1/4 C8 (One-touch fitting for ø8) C10 (One-touch fitting for ø10)
Manifold base weight W (g) n: Stations	W=13n+35	W=36n+64	W=43n+64	

 Note 1) For more than 10 stations (more than 5 stations in the case of SS5Y7), supply pressure to P port on both sides and exhaust from EA/EB port on both sides.
 Note 2) Refer to "Manifold Option" on page 413.

Flow Characteristics

Model	Port size		Flow Characteristics					
	1, 5, 3 (P, EA, EB)	4, 2 (A, B)	1→4/2(P→A/B)			4/2→5/3(A/B→EA/EB)		
			C[dm ³ /(s·bar)]	b	Cv	C[dm ³ /(s·bar)]	b	Cv
10-SS5Y3-20	1/8	C6	0.72	0.29	0.18	0.80	0.36	0.21
10-SS5Y5-20	1/4	C8	1.9	0.28	0.48	2.2	0.20	0.53
10-SS5Y7-20	1/4	C10	3.6	0.31	0.93	3.6	0.27	0.88

 Note) The value is for manifold base with 5 stations and individually operated 2 position type.

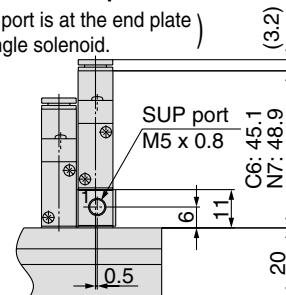
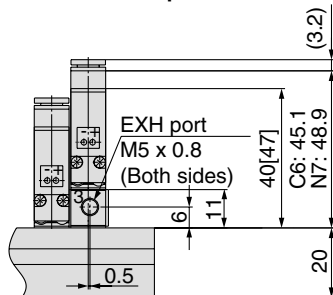
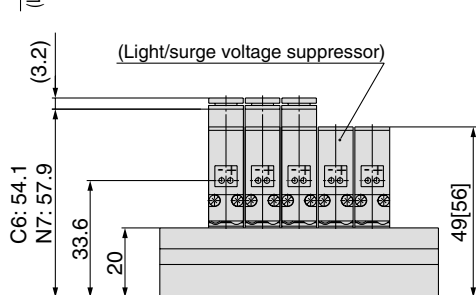
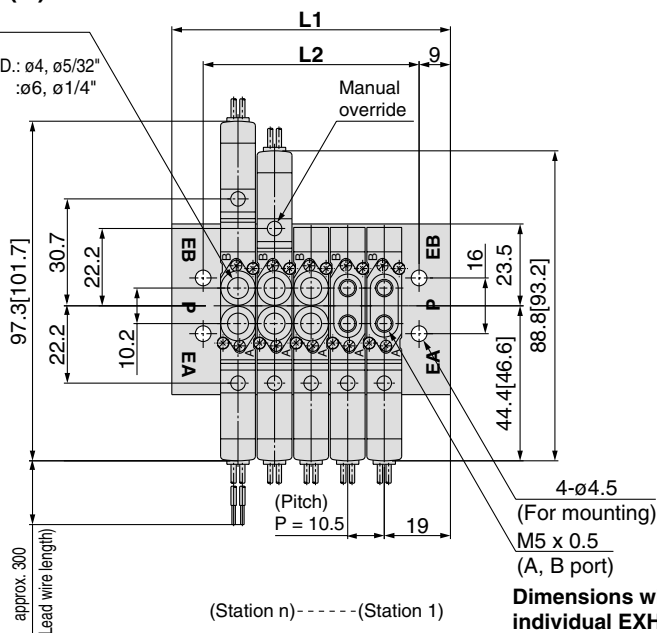
10-SY3000: 10-SS5Y3-20- Stations - □

Note) []: In case of AC

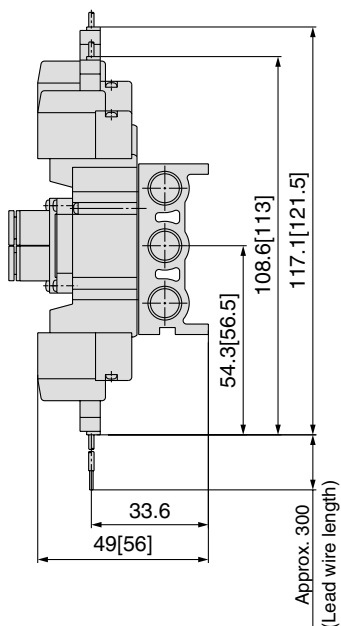
Grommet (G)

One-touch fitting
(A, B port)

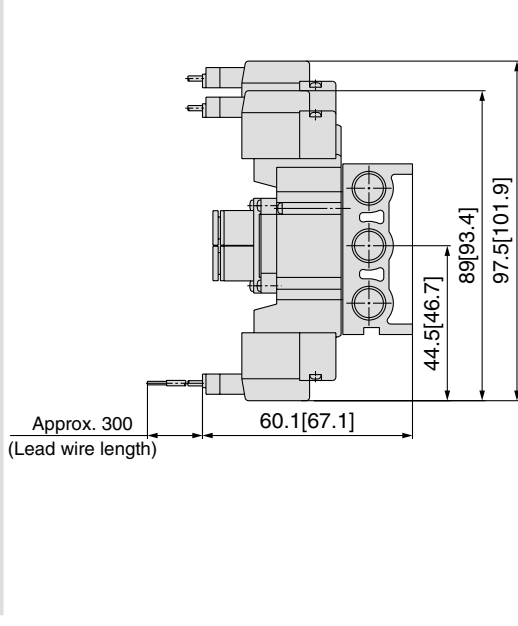
Applicable tubing O.D.: $\phi 4$, $\phi 5/32$ "
: $\phi 6$, $\phi 1/4$ "



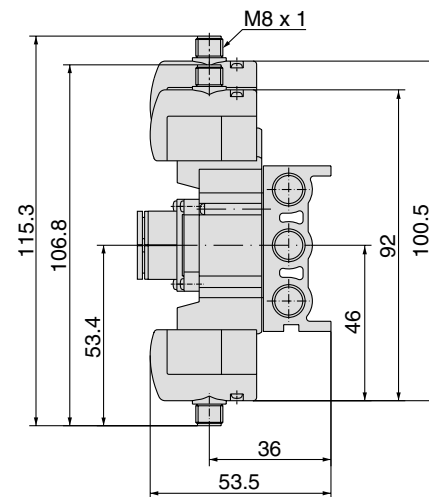
L plug connector (L)



M plug connector (M)



M8 Connector (WO)



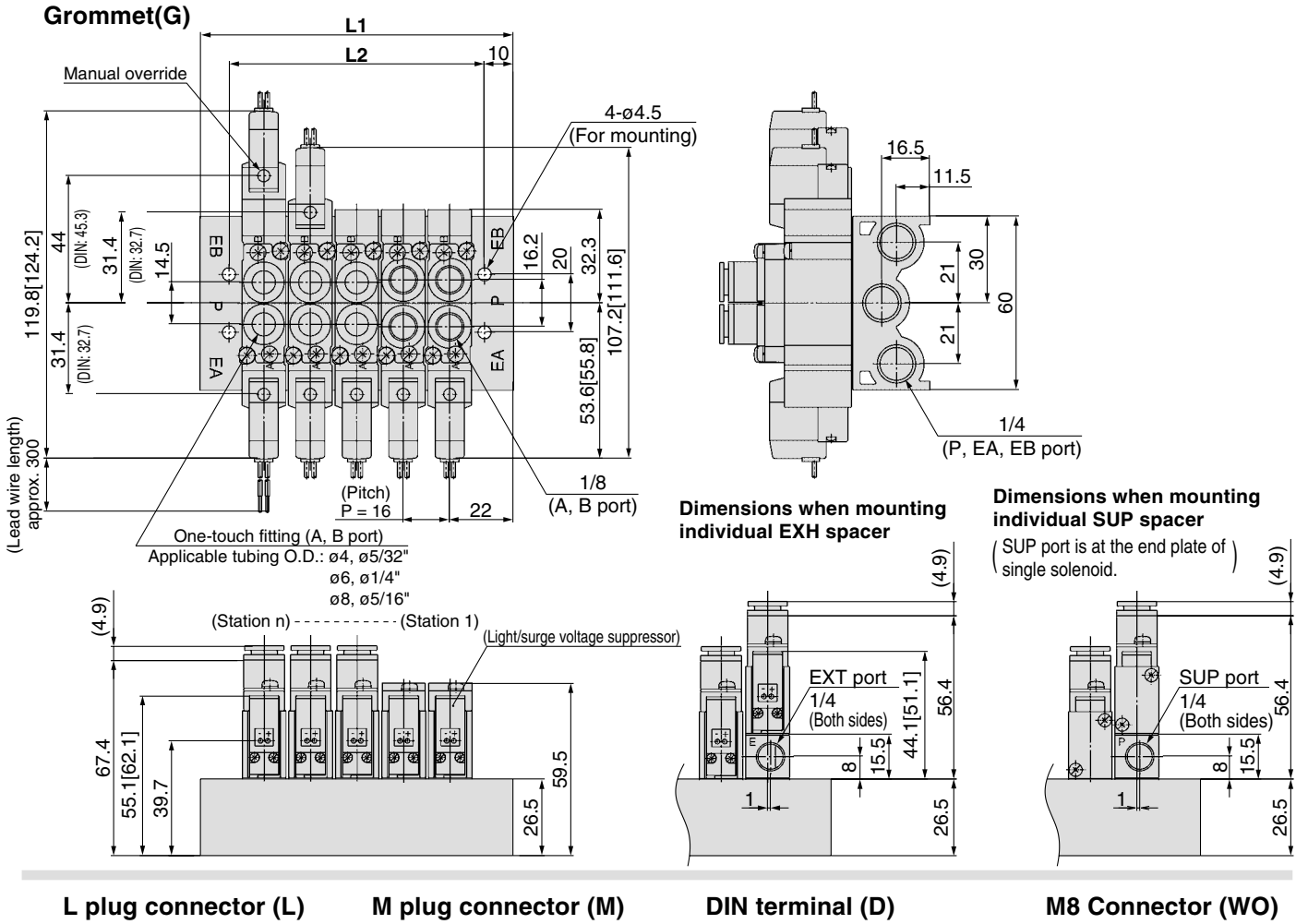
Note) Refer to page 490 for dimensions of connector types.

Stations n	2 stations	3	4	5	6	7	8	9	10	11	12	13	14	15	16	17	18	19	20 stations
L1	48.5	59	69.5	80	90.5	101	111.5	122	132.5	143	153.5	164	174.5	185	195.5	206	216.5	227	237.5
L2	30.5	41	51.5	62	72.5	83	93.5	104	114.5	125	135.5	146	156.5	167	177.5	188	198.5	209	219.5

- Air cylinder
- Rotary actuator
- Air gripper
- Directional control valve
- Flow control equipment
- Filter, Pressure control equipment
- Fittings & Tubing
- Air preparation equipment
- Pressure switch
- Clean gas filter

10-SY5000: 10-SS5Y5-20- Stations -

Note) []: In case of AC

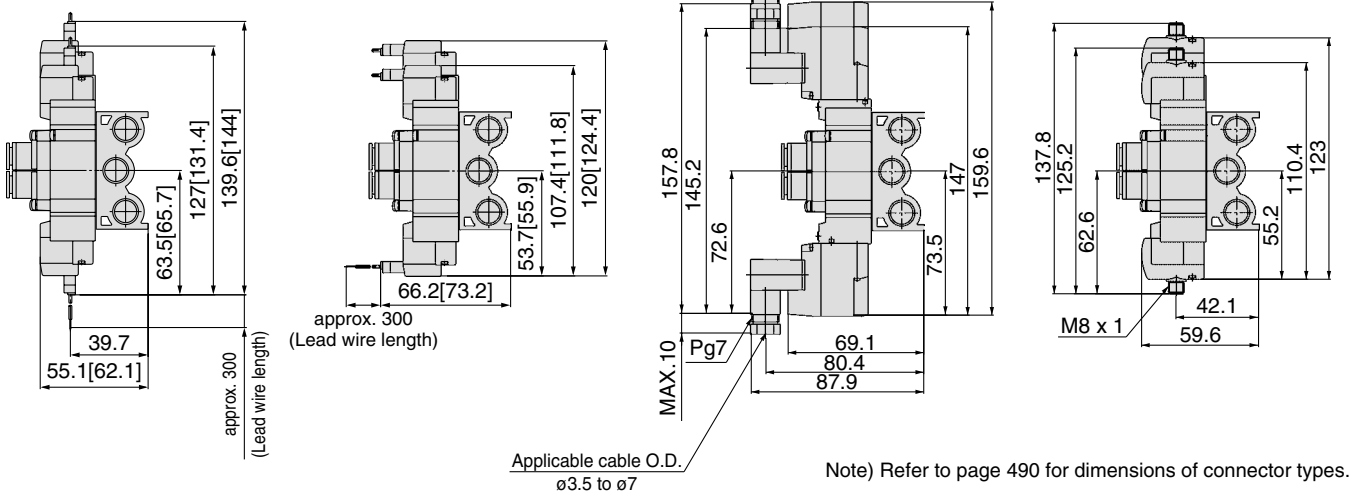


L plug connector (L)

M plug connector (M)

DIN terminal (D)

M8 Connector (WO)

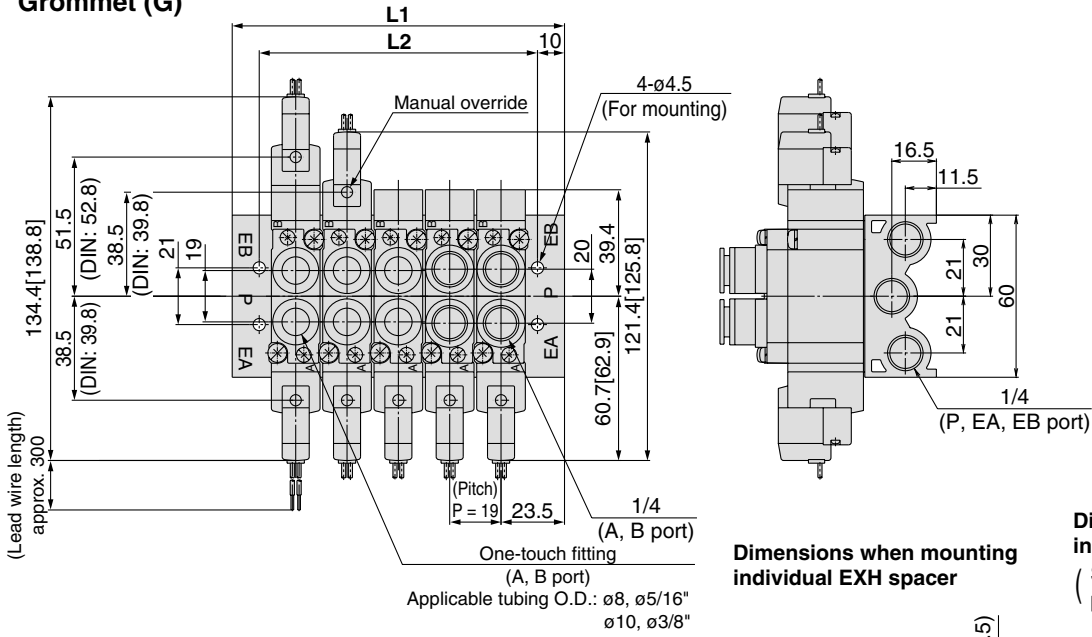


Stations n	2 stations	3	4	5	6	7	8	9	10	11	12	13	14	15	16	17	18	19	20 stations
L1	60	76	92	108	124	140	156	172	188	204	220	236	252	268	284	300	316	332	348
L2	40	56	72	88	104	120	136	152	168	184	200	216	232	248	264	280	296	312	328

10-SY7000:10-SS5Y7-20- Stations - □

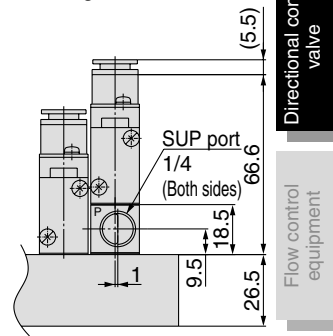
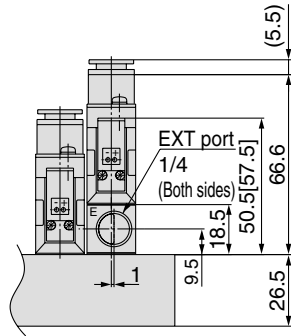
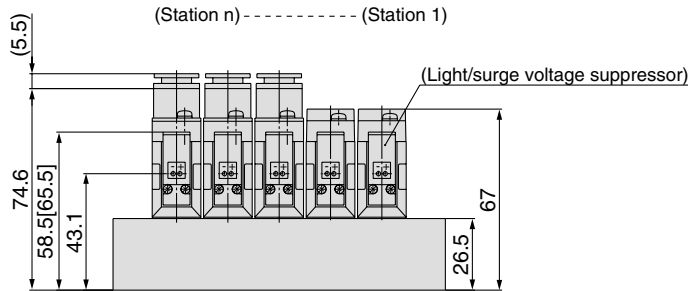
Note) [] : In case of AC

Grommet (G)



Dimensions when mounting individual EXH spacer

Dimensions when mounting individual SUP spacer (SUP port is at the end plate of single solenoid.)

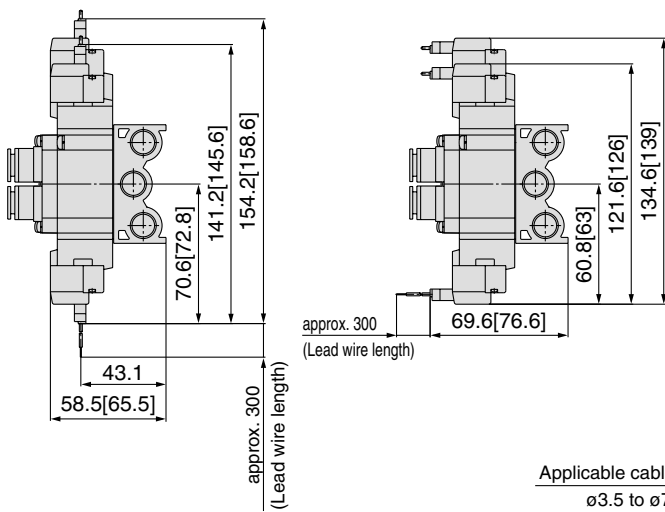


L plug connector (L)

M plug connector (M)

DIN terminal (D)

M8 Connector (WO)



Applicable cable O.D.
ø3.5 to ø7

Note) Refer to page 490 for dimensions of connector types.

Stations n	2 stations	3	4	5	6	7	8	9	10	11	12	13	14	15	16	17	18	19	20 stations
L1	66	85	104	123	142	161	180	199	218	237	256	275	294	313	332	351	370	389	408
L2	46	65	84	103	122	141	160	179	198	217	236	255	274	293	312	331	350	369	388

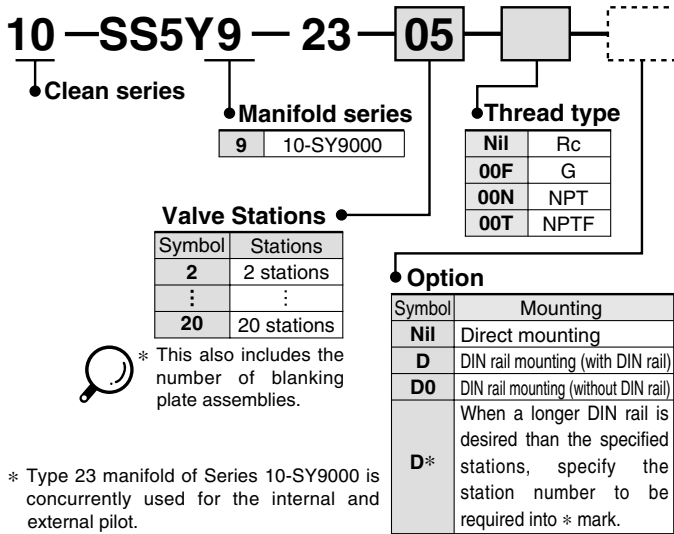
- Air cylinder
- Rotary actuator
- Air gripper
- Directional control valve
- Flow control equipment
- Filter, Pressure control equipment
- Fittings & Tubing
- Air preparation equipment
- Pressure switch
- Clean gas filter

Series 10-SY9000

Type 23

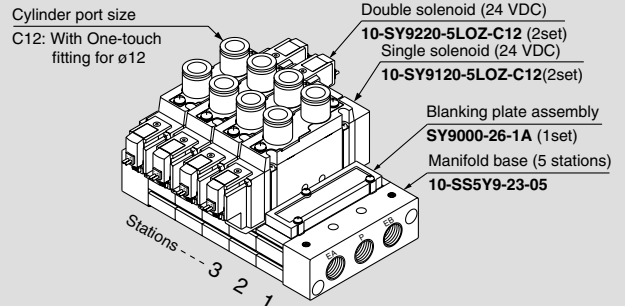
Body Ported Type Manifold
Stacking type / Individual wiring type

How to Order Manifold



How to Order for Manifold Assembly

Ordering example



10-SS5Y9-23-05.....1 set (Type 23, 5 stations manifold base part no.)
 *SY9000-26-1A.....1 set (Blanking plate assembly part no.)
 *10-SY9120-5LOZ-C12.....2 sets (Single solenoid part no.)
 *10-SY9220-5LOZ-C12.....2 sets (Double solenoid part no.)

* The asterisk denotes the symbol for assembly.
Prefix it to the part nos. of the solenoid valve, etc .

Add the valve and option part numbers in order starting from the first station as shown above. When entry of part numbers becomes complicated, indicate on a manifold specification sheet.

How to Order Valves

10—SY 9 1 20 □ □ 5 L □ □ 02 □

● Clean series

● Series

9	10-SY9000
---	-----------

● Type of actuation

1	2 position single
2	2 position double
3	3 position closed center
4	3 position exhaust center
5	3 position pressure center

● Pilot specifications

Nil	Internal pilot
R	External pilot

* In the case of external pilot specifications, it cannot be used as a single unit.

● Coil specifications

Nil	Standard
T	With power saving circuit (24 VDC, 12 VDC only)

* Power saving circuit is not available in the case of "D", "DO" or "W□" type.

● Rated voltage

DC		AC (50/60 Hz)	
5	24 VDC	1	100 VAC
6	12 VDC	2	200 VAC
V	6 VDC	3	110 VAC [115 VAC]
S	5 VDC	4	220 VAC [230 VAC]
R	3 VDC		

* DC specifications of type "D" and "DO" is only available with 12 and 24 VDC.

* For type "W□", only DC voltage is available.

● Thread type

Nil	Rc
F	G
N	NPT
T	NPTF

● A, B port size
Thread piping

Symbol	Port size
02	1/4
03	3/8

● One-touch fitting (Metric size)

Symbol	Port size
C8	One-touch fitting for ø8
C10	One-touch fitting for ø10
C12	One-touch fitting for ø12

● One-touch fitting (Inch size)

Symbol	Port size
N9	One-touch fitting for ø 5/16"
N11	One-touch fitting for ø 3/8"

● Manual override

Nil	Non-locking push type
D	Push-turn locking slotted type
E	Push-turn locking lever type

● Light/Surge voltage suppressor
Electrical entry for G, H, L, M, W

Nil	Without light/surge voltage suppressor
S	With surge voltage suppressor
Z	With light/surge voltage suppressor
R	With surge voltage suppressor (non-polar type)
U	With light/surge voltage suppressor (non-polar type)

* For AC voltage valves there is no "S" option. It is already built-in to the rectifier circuit.
* For "R" and "U", DC voltage is only available.
* Power saving circuit is only available in the "Z" type.

● Electrical entry for D

Nil	Without light/surge voltage suppressor
S	With surge voltage suppressor
Z	With light/surge voltage suppressor

* "DOZ" is not available.
* For AC voltage, there is no "S" option. It is already built-in to the rectifier circuit.

● Electrical entry

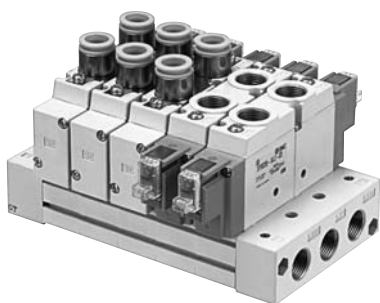
24, 12, 6, 5, 3 VDC 100, 110, 200, 220 VAC			24, 12 VDC 100, 110 VAC, 200, 220 VAC	24, 12 VDC 6, 5, 3 VDC
Grommet	L plug connector	M plug connector	DIN terminal	M8 Connector
G: Lead wire Length 300 mm	L: With lead wire (Length 300 mm)	M: With lead wire (Length 300 mm)	D: With connector	WO: Without connector cable
H: Lead wire Length 600 mm	LN: Without lead wire	MN: Without lead wire	DO: Without connector	W□: With connector cable ^{Note 1)}
	LO: Without connector	MO: Without connector		

* "LN", "MN" type: with 2 sockets.
* DIN terminal type "Y" conforming to EN-175301-803C (previously DIN43650C) is available, too. For details, refer to Page 482.

* For connector cable of M8 connector, refer to page 490.

Note 1) Be sure to specify cable length in □ . Please refer to page 491.

Note) When placing an order for body ported solenoid valve as a single unit, mounting bolt for manifold and gasket are not attached. Order them separately, if necessary.
(For details, refer to catalog in Page 413.)



Manifold Specifications

Model	10-SS5Y9-23	
Applicable valve	10-SY9□20	
Manifold type	Stacking type	
P (SUP) / R (EXH)	Common SUP, Common EXH	
Valve Stations	2 to 20 stations <small>Note 1)</small>	
A, B port location	Valve	
Port size	P, EA, EB port	3/8
	A, B port	1/4
		3/8
		C8 (One-touch fitting for ø8) C10 (One-touch fitting for ø10) C12 (One-touch fitting for ø12)
Manifold base weight W (g) n: Stations	W=66n+246	



Note 1) For more than 10 stations, supply pressure to P port on both sides and exhaust from EA/EB port on both sides.

Note 2) Refer to "Manifold Option" on Page 413.

Flow Characteristics

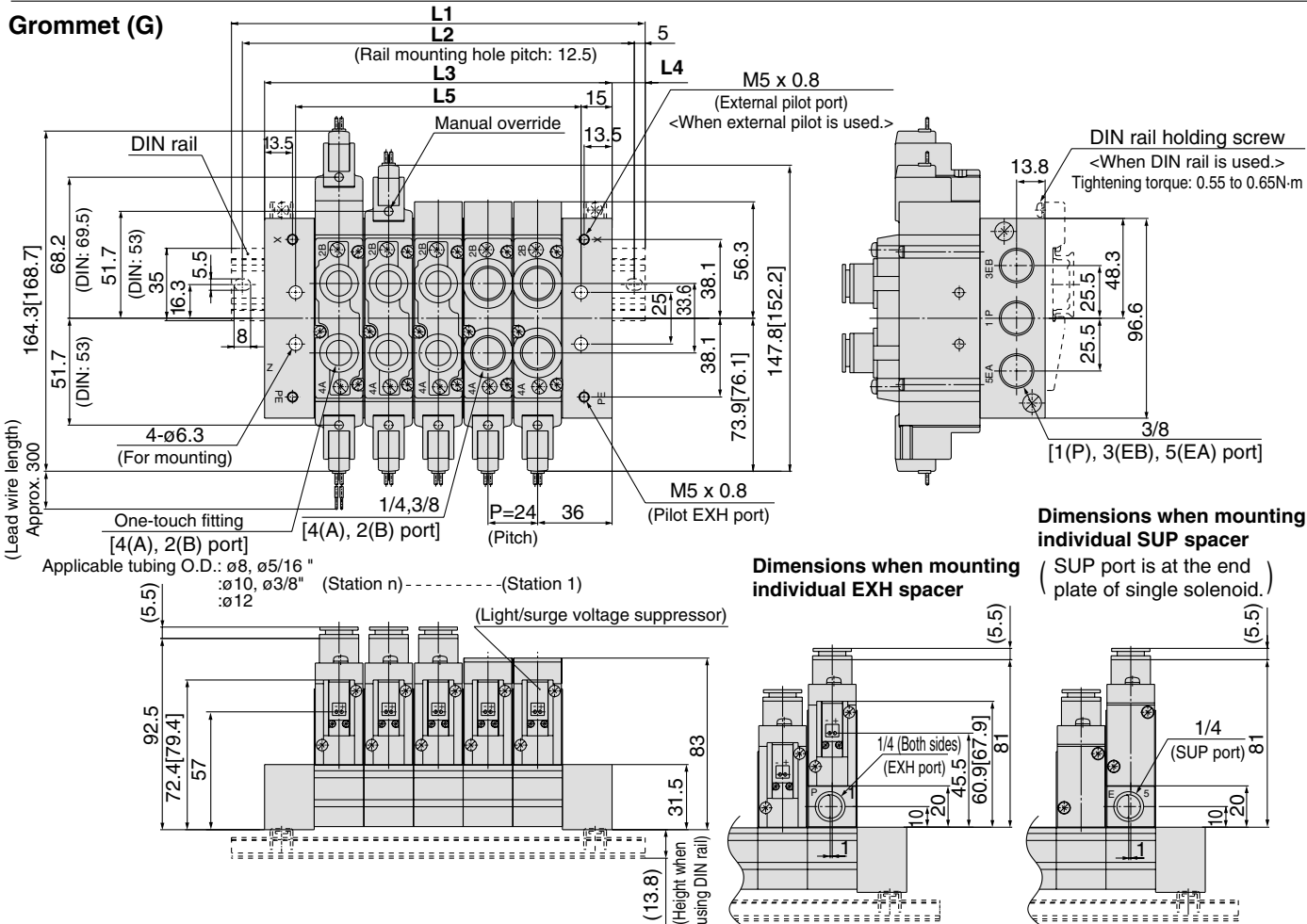
Model	Port size		Flow Characteristics					
	1, 5, 3 (P, EA, EB)	4, 2 (A, B)	1→4/2(P→A/B)			4/2→5/3(A/B→EA/EB)		
			C[dm ³ /(s·bar)]	b	Cv	C[dm ³ /(s·bar)]	b	Cv
10-SS5Y9-23	3/8	C12	6.3	0.20	1.5	8.2	0.28	1.9



Note) The value is for manifold base with 5 stations and individually operated 2 position type.

10-SY9000: 10-SS5Y9-23- Stations -(D)

Note) [] : In case of AC

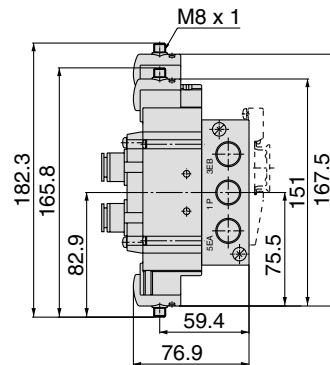
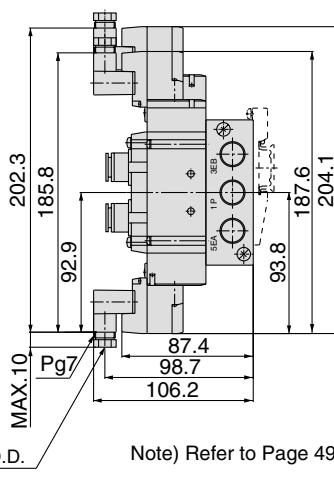
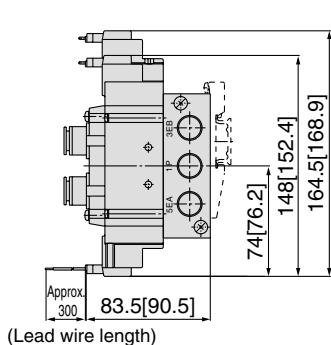
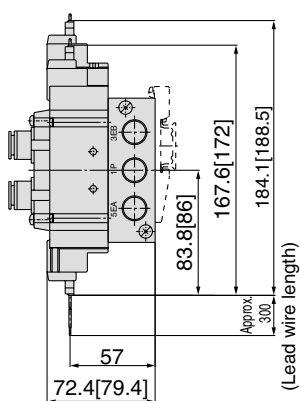


L plug connector (L)

M plug connector (M)

DIN terminal (D)

M8 Connector (WO)



Note) Refer to Page 490 for dimensions of connector types.

Stations n	2 stations	3	4	5	6	7	8	9	10	11	12	13	14	15	16	17	18	19	20 stations
L1	123	148	173	198	223	248	273	298	323	335.5	360.5	385.5	410.5	435.5	460.5	485.5	510.5	535.5	560.5
L2	112.5	137.5	162.5	187.5	212.5	237.5	262.5	287.5	312.5	325	350	375	400	425	450	475	500	525	550
L3	96	120	144	168	192	216	240	264	288	312	336	360	384	408	432	456	480	504	528
L4	13.5	14	14.5	15	15.5	16	16.5	17	17.5	12	12.5	13	13.5	14	14.5	15	15.5	16	16.5
L5	66	90	114	138	162	186	210	234	258	282	306	330	354	378	402	426	450	474	498

Note) In the case of direct mounting without DIN rail, total width of manifold is L3.

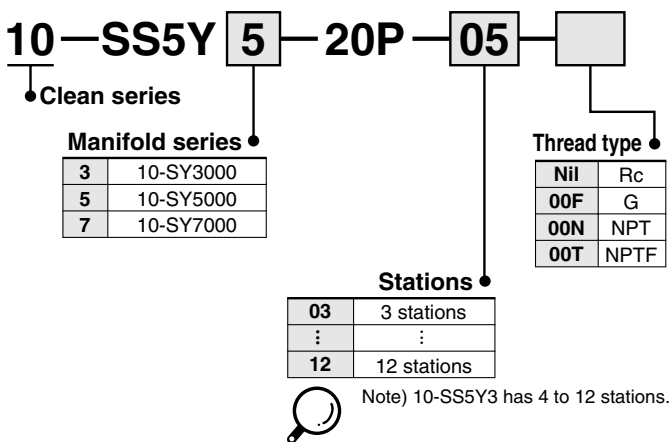
Air cylinder
Rotary actuator
Air gripper
Directional control valve
Flow control equipment
Filter, Pressure control equipment
Fittings & Tubing
Air preparation equipment
Pressure switch
Clean gas filter

Series 10-SY3000/5000/7000

Type **20P**

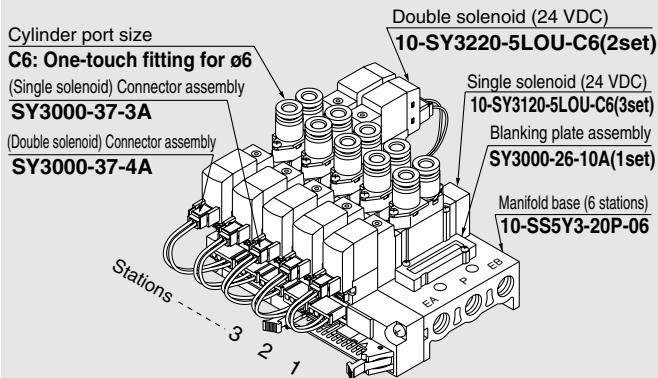
Body Ported Type Manifold
Bar Stock/Flat Ribbon Cable

How to Order Manifold



How to Order for Manifold Assemblies

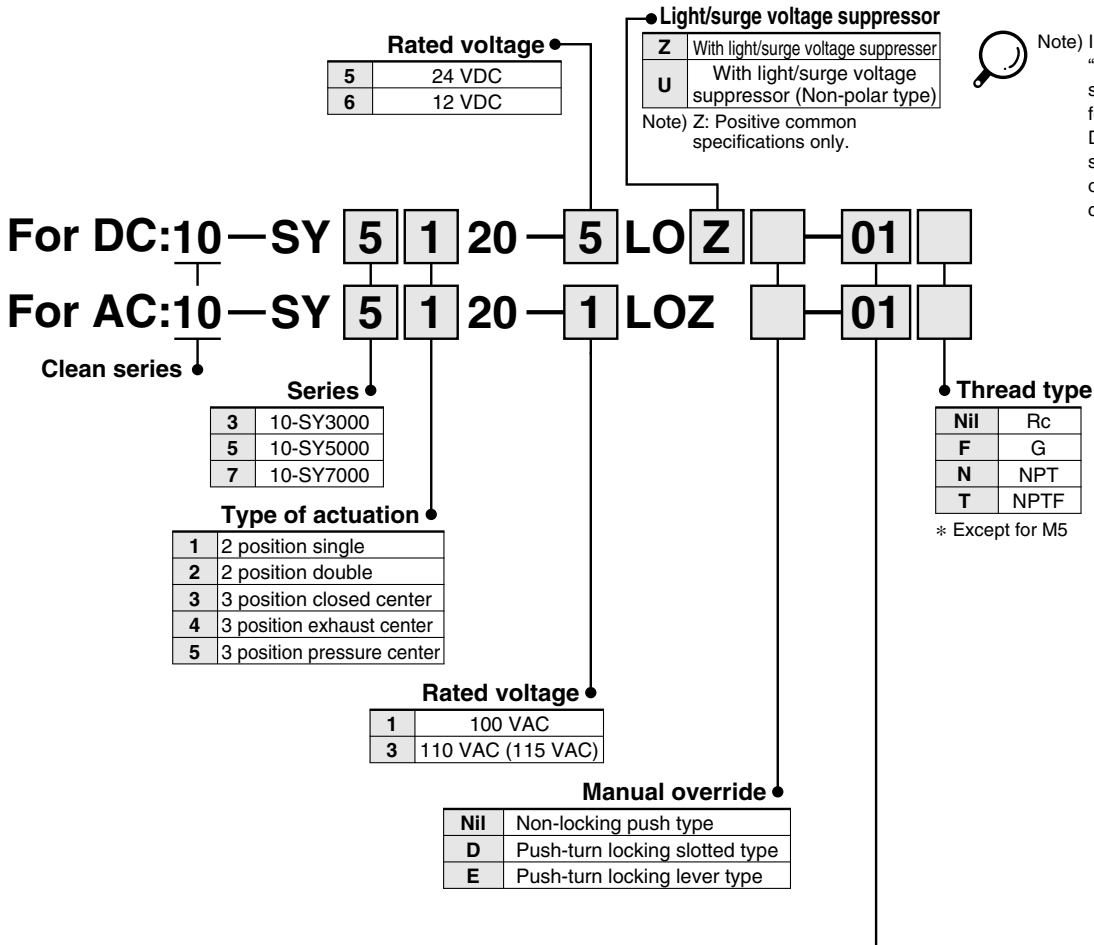
Ordering example



- 10-SS5Y3-20P-06.....1 set (Type 20, 6 stations manifold part no.)
 * SY3000-26-10A.....1 set (Blanking plate assembly part no.)
 * 10-SY3120-5LOU-C6.....3 sets (Single solenoid part no.)
 * 10-SY3220-5LOU-C6.....2 sets (Double solenoid part no.)
 * SY3000-37-3A.....3 sets (Connector assembly part no.)
 * SY3000-37-4A.....2 sets (Connector assembly part no.)
 ↳ * The asterisk denotes the symbol for assembly. Prefix it to the part nos. of the solenoid valve, etc.

Add the valve and option part number under the manifold base part number. In the case of complex arrangement, specify them on the manifold specification sheet.

How to Order Valves



A, B port size
Thread piping

Symbol	Port size	Applicable series
M5	M5 x 0.8	10-SY3000
01	1/8	10-SY5000
02	1/4	10-SY7000

One-touch fitting (Metric size)

Symbol	Port size	Applicable series
C4	One-touch fitting for ø4	10-SY3000
C6	One-touch fitting for ø6	
C4	One-touch fitting for ø4	10-SY5000
C6	One-touch fitting for ø6	
C8	One-touch fitting for ø8	10-SY7000
C8	One-touch fitting for ø8	
C10	One-touch fitting for ø10	

One-touch fitting (Inch size)

Symbol	Port size	Applicable series
N3	One-touch fitting for ø 5/32"	10-SY3000
N7	One-touch fitting for ø 1/4"	
N3	One-touch fitting for ø 5/32"	10-SY5000
N7	One-touch fitting for ø 1/4"	
N9	One-touch fitting for ø 5/16"	10-SY7000
N9	One-touch fitting for ø 5/16"	
N11	One-touch fitting for ø 3/8"	

Note) When placing an order for body ported solenoid valve as a single unit, mounting bolt for manifold and gasket are not attached. Order them separately, if necessary.

Air cylinder

Rotary actuator

Air gripper

Directional control valve

Flow control equipment

Filter, Pressure control equipment

Fittings & Tubing

Air preparation equipment

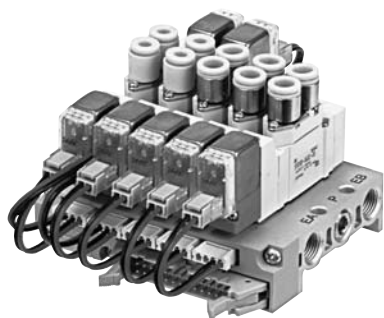
Pressure switch

Clean gas filter

Type 20P Body ported type 10-SY3000/5000/7000

- Multiple valve wiring is simplified through the use of the flat cable connector
- Clean appearance

In the case of a flat ribbon cable type, each valve is wired on the print board of manifold base to allow the external wiring to be piped all together with 26 pins MIL connector.



Manifold Specifications

Model	10-SS5Y3-20P	10-SS5Y5-20P	10-SS5Y7-20P	
Applicable valve	10-SY3□20	10-SY5□20	10-SY7□20	
Manifold type	Single base / B mount			
P (SUP) / R (EXH)	Common SUP, Common EXH			
Valve Stations	4 to 12 stations <small>Note 1)</small>	3 to 12 stations <small>Note 1)</small>		
A, B port location	Valve			
Port size	P, EA, EB port	1/8	1/4	1/4
	A, B port	M5 x 0.8 C4 (One-touch fitting for ø4) C6 (One-touch fitting for ø6)	1/8 C4 (One-touch fitting for ø4) C6 (One-touch fitting for ø6) C8 (One-touch fitting for ø8)	1/4 C8 (One-touch fitting for ø8) C10 (One-touch fitting for ø10)
Manifold base weight W (g)	W=19n+45	W=43n+77	W=51n+81	
n: Stations				
Applicable flat ribbon cable connector	Flat ribbon cable connector, Socket: 26 pins MIL type with strain relief, Conforming to MIL-C-83503			
Internal wiring	In common between +COM and -COM (Z type: +COM only).			
Rated voltage	12, 24 VDC 100, 110 VAC			



Note 1) For more than 10 stations (more than 5 stations in the case of 10-SS5Y7), supply pressure to P port on both sides and exhaust from EA/EB port on both sides.

Note 2) The withstand voltage specification for the wiring unit section is JIS C 0704, Grade 1 or its equivalent.

Note 3) Refer to "Manifold Option" on Page 413.

Flow Characteristics

Model	Port size		Flow Characteristics					
	1, 5, 3 (P, EA, EB)	4, 2 (A, B)	1→4/2(P→A/B)			4/2→5/3(A/B→EA/EB)		
			C[dm ³ /(s·bar)]	b	Cv	C[dm ³ /(s·bar)]	b	Cv
10-SS5Y3-20P	1/8	C6	0.72	0.29	0.18	0.80	0.36	0.21
10-SS5Y5-20P	1/4	C8	1.9	0.28	0.48	2.2	0.20	0.53
10-SS5Y7-20P	1/4	C10	3.6	0.31	0.93	3.6	0.27	0.88



Note) The value is for manifold base with 5 stations and individually operated 2 position type.

How to Order Connector Assembly

For 12, 24 VDC

Specifications	For 10-SY3000	For 10-SY5000/7000
For single solenoid	SY3000-37-3A	SY5000-37-3A
Double solenoid, 3 position	SY3000-37-4A	SY5000-37-4A
Single with spacer assembly	SY5000-37-3A	SY5000-37-5A
Double, 3 position with spacer assembly	SY3000-37-6A	SY5000-37-6A

For 100 VAC

Specifications	For 10-SY3000	For 10-SY5000/7000
For single solenoid	SY3000-37-32A	SY5000-37-15A
Double solenoid, 3 position	SY3000-37-33A	SY5000-37-16A
Single with spacer assembly	SY5000-37-15A	SY5000-37-17A
Double, 3 position with spacer assembly	SY3000-37-34A	SY5000-37-18A

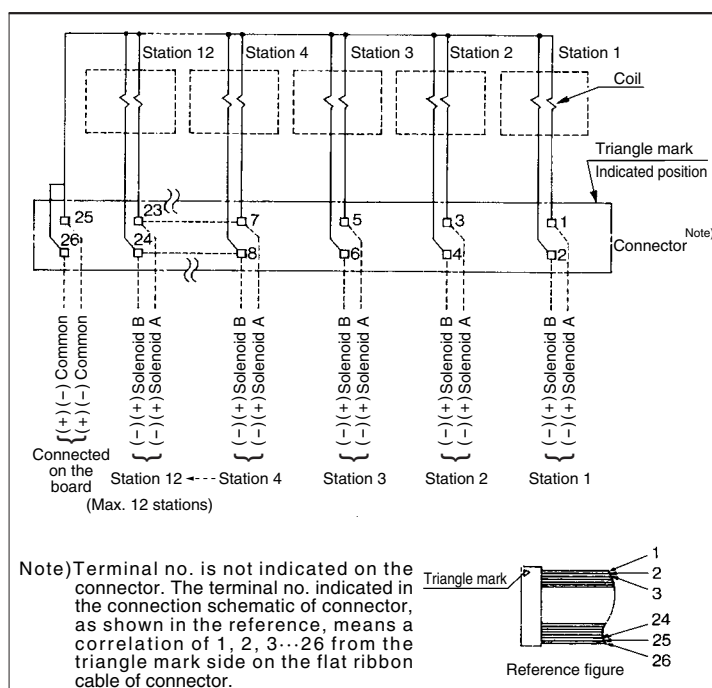
110 VAC (115 VAC)

Specifications	For 10-SY3000	For 10-SY5000/7000
For single solenoid	SY3000-37-35A	SY5000-37-19A
Double solenoid, 3 position type	SY3000-37-36A	SY5000-37-20A
Single with spacer assembly	SY5000-37-19A	SY5000-37-21A
Double, 3 position with spacer assembly	SY3000-37-37A	SY5000-37-22A

⚠ Caution

For non-polar (U) valves, the electrical DC connections can be used with either positive and negative COM. For type (Z), only use with positive COM as the valve does not operate correctly when used with negative COM.

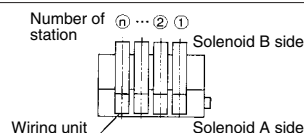
Internal Wiring of Manifold (Non-polar Type)



For more than 10 stations, both poles of the common should be wired.

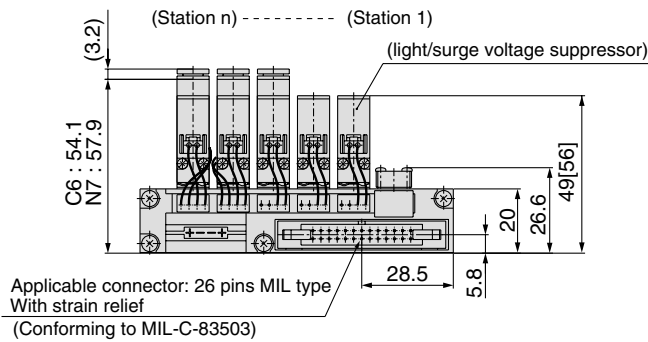
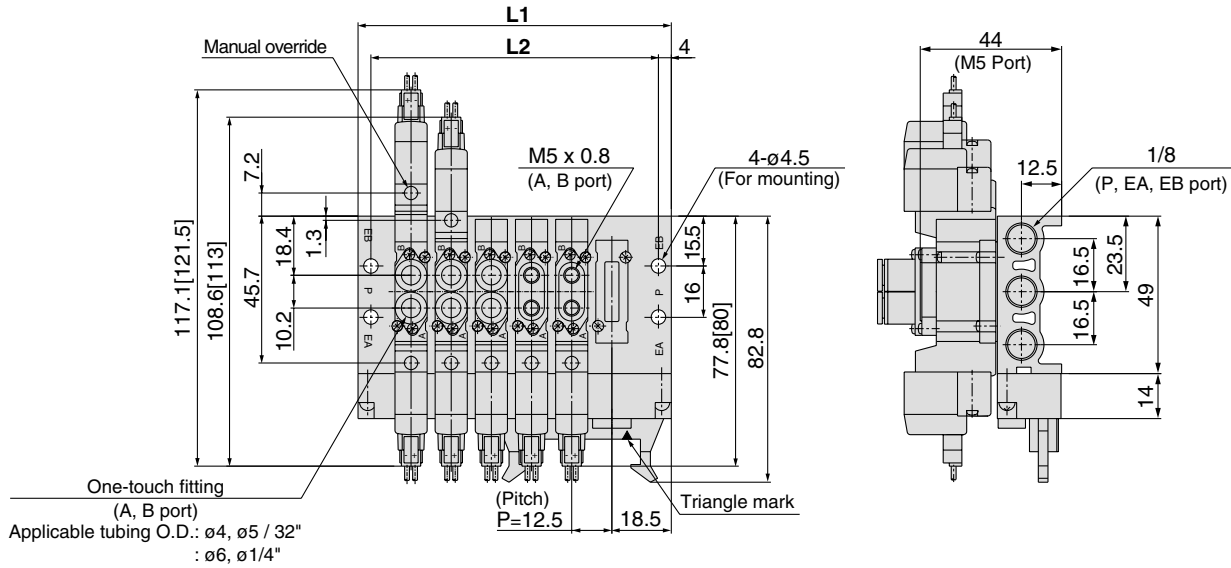
For single solenoid, connect to the solenoid A side.

The maximum number of stations that can be accommodated is 12. For more stations, please contact SMC.



10-SY3000: 10-SS5Y3-20P- Stations

Note) []: AC



Stations n	4	5	6	7	8	9	10	11	12
L1	72.5	85	97.5	110	122.5	135	147.5	160	172.5
L2	64.5	77	89.5	102	114.5	127	139.5	152	164.5

Air cylinder

Rotary actuator

Air gripper

Directional control valve

Flow control equipment

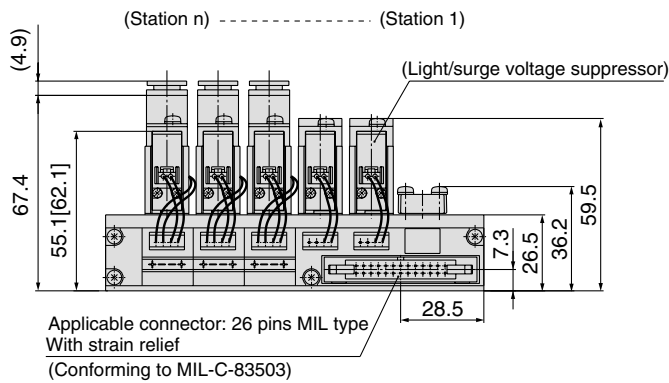
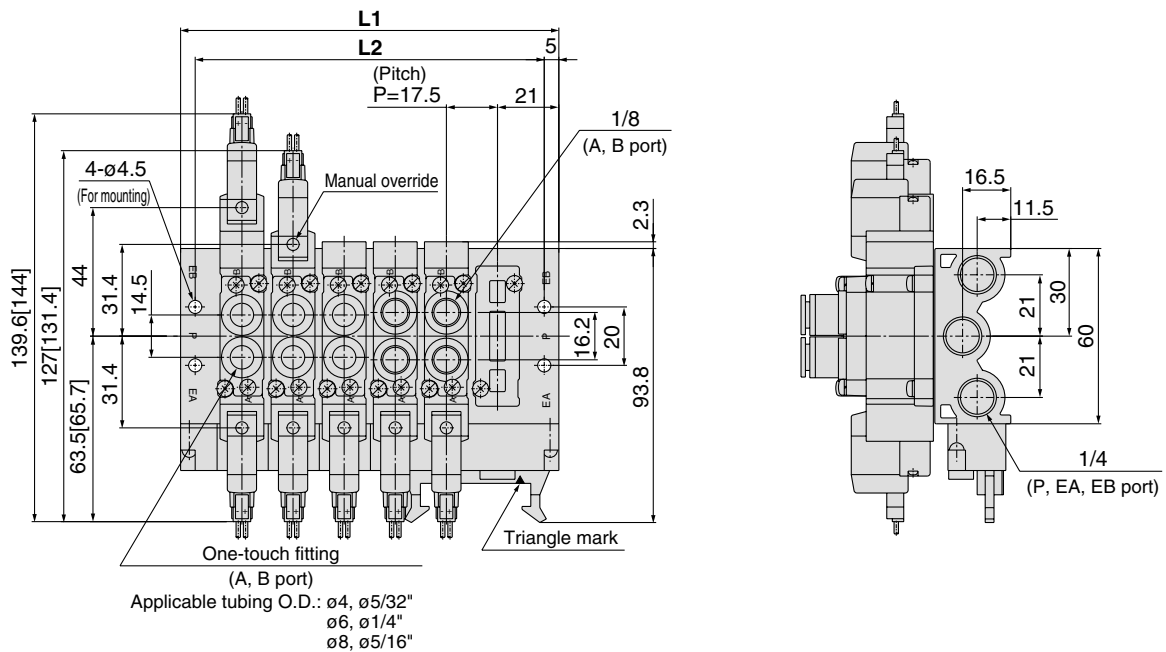
Filter, Pressure control equipment

Fittings & Tubing

Air preparation equipment


Pressure switch

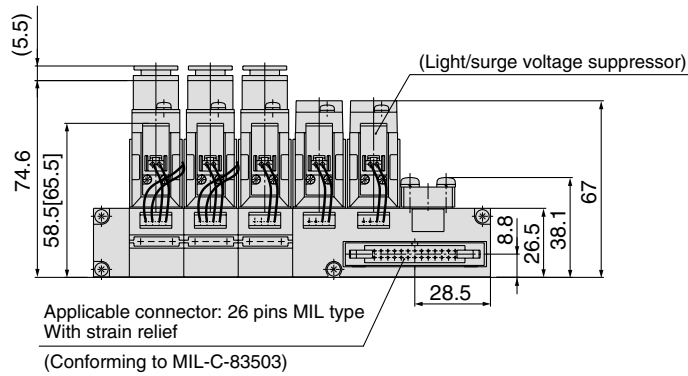
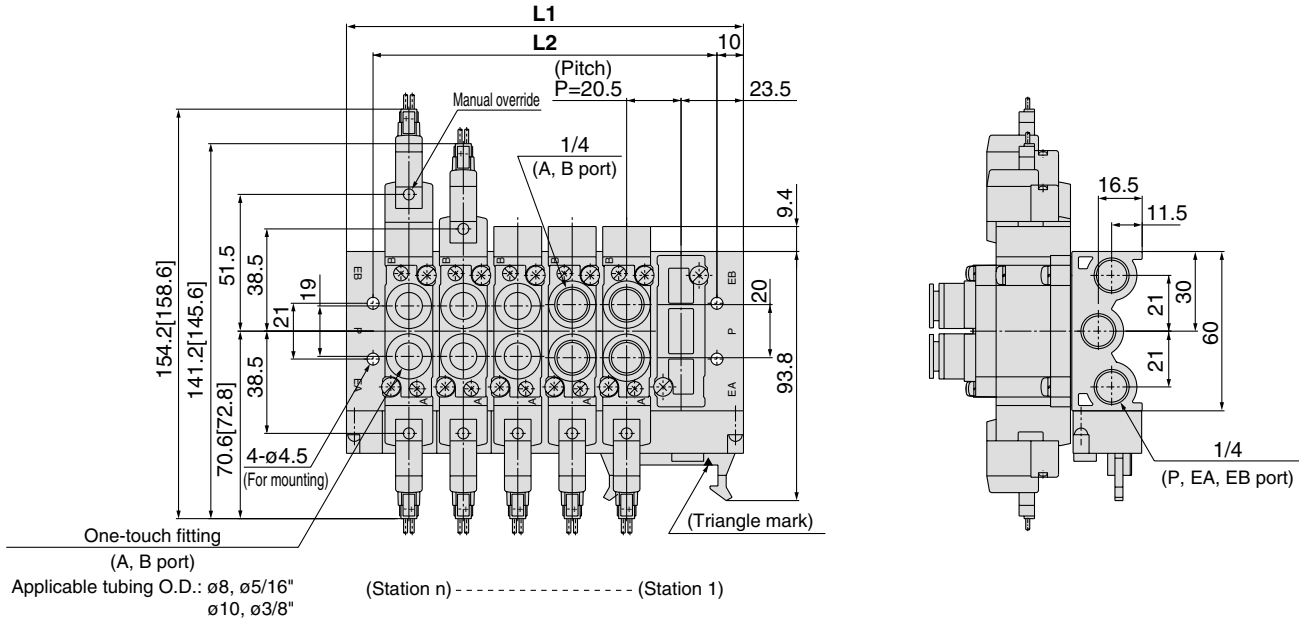
Clean gas filter



Stations n	3	4	5	6	7	8	9	10	11	12
L1	77	94.5	112	129.5	147	164.5	182	199.5	217	234.5
L2	67	84.5	102	119.5	137	154.5	172	189.5	207	224.5

10-SY7000: 10-SS5Y7-20P- Stations

 Note) []: In case of AC



Stations n	3	4	5	6	7	8	9	10	11	12
L1	88	108.5	129	149.5	170	190.5	211	231.5	252	272.5
L2	68	88.5	109	129.5	150	170.5	191	211.5	232	252.5

Air cylinder

Rotary actuator

Air gripper

Directional control valve

Flow control equipment

Filter, Pressure control equipment

Fittings & Tubing

Air preparation equipment

Pressure switch

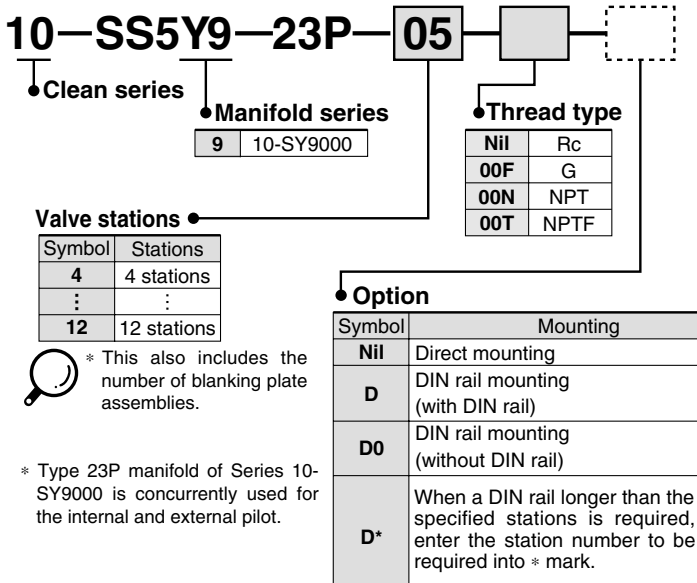
Clean gas filter

Series 10-SY9000

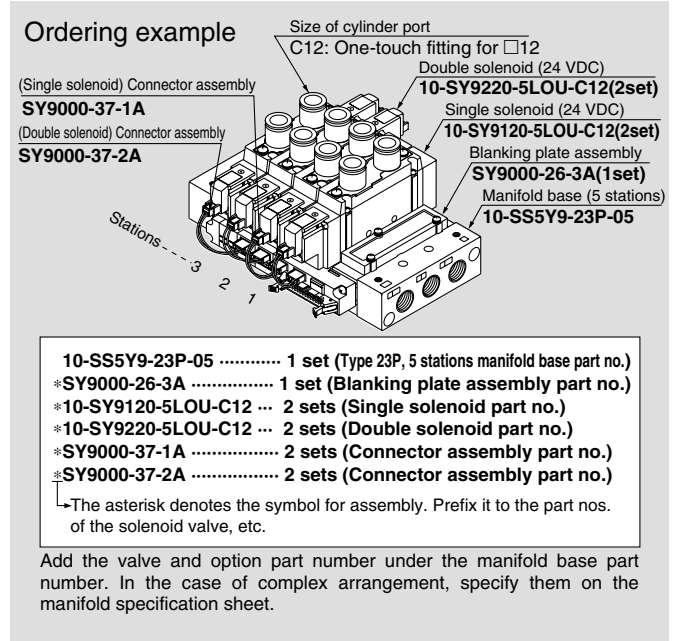
Type **23P**

Body ported manifold
Stacking type/Flat ribbon cable

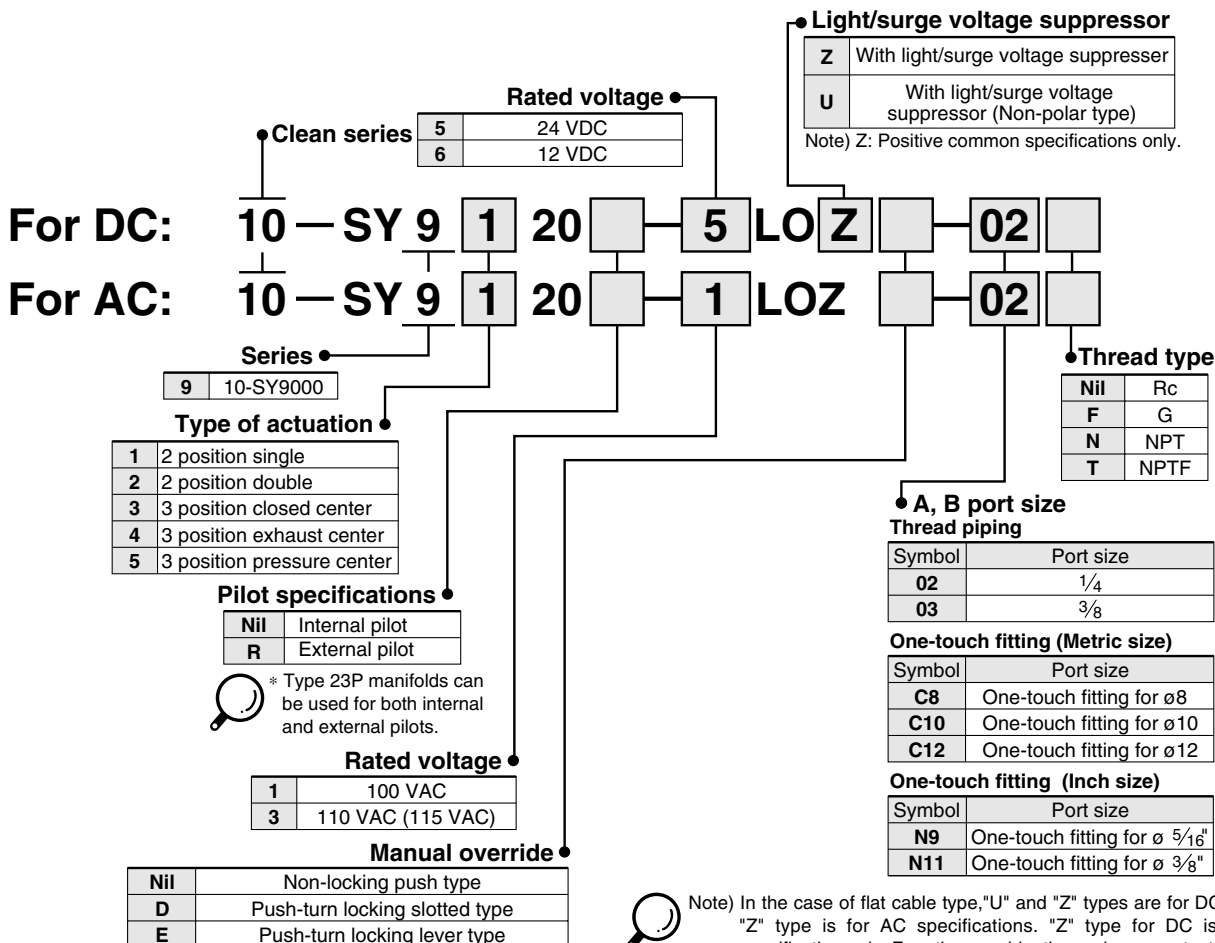
How to Order Manifold



How to Order Valve Manifold Assembly

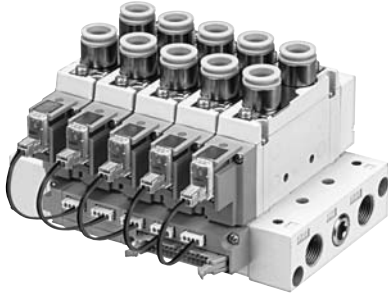


How to Order Valves



- Multiple valve wiring is simplified through the use of the flat cable connector
- Clean appearance

In the case of a flat ribbon cable type, each valve is wired on the print board of manifold base to allow the external wiring to be piped all together with 26 pins MIL connector.



How to Order Connector Assembly

For 12, 24 VDC

Specifications	For 10-SY9000
For single solenoid	SY9000-37-1A
Double solenoid 3 position	SY9000-37-2A
Single with spacer assembly	SY9000-37-3A
Double, 3 position with spacer assembly	SY9000-37-4A

For 100 VAC

Specifications	For 10-SY9000
For single solenoid	SY9000-37-1B
Double solenoid 3 position	SY9000-37-2B
Single with spacer assembly	SY9000-37-3B
Double, 3 position with spacer assembly	SY9000-37-4B

110 VAC (115 VAC)

Specifications	For 10-SY9000
For single solenoid	SY9000-37-1C
Double solenoid 3 position	SY9000-37-2C
Single with spacer assembly	SY9000-37-3C
Double, 3 position with spacer assembly	SY9000-37-4C

Caution

- For non-polar (U) valves, the electrical DC connections can be used with either positive and negative COM. For type (Z), only use with positive COM as the valve does not operate correctly when used with negative COM.

Manifold Specifications

Model	10-SS5Y9-23P	
Applicable valve	10-SY9□20	
Manifold type	Stacking type	
P (SUP) / R (EXH)	Common SUP, Common EXH	
Valve stations	4 to 12 stations ^{Note 1)}	
A, B port location	Valve	
Port size	P, EA, EB port	3/8
	A, B port	1/4 3/8 C8 (One-touch fitting for ø8) C10 (One-touch fitting for ø10) C12 (One-touch fitting for ø12)
Manifold base weight W (g) n: Stations	W=73n+259	
Applicable flat ribbon cable connector	Flat ribbon cable connector, Socket: 26 pins MIL type with strain relief, Conforming to MIL-C-83503	
Internal wiring	In common between +COM and -COM (Z type: +COM only)	
Rated voltage	12, 24 VDC 100, 110 VAC	

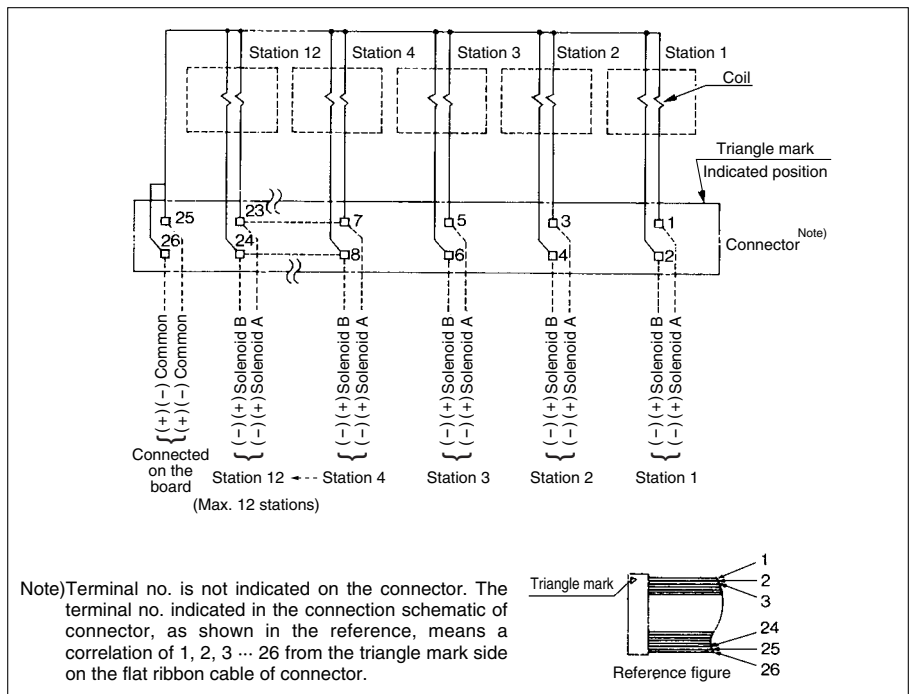
- Note 1) For more than 10 stations, supply pressure to P port on both sides and exhaust from EA/EB port on both sides.
- Note 2) The withstand voltage specification for the wiring unit section is JIS C 0704, Grade 1 or its equivalent.
- Note 3) Refer to "Manifold Option" on page 413.

Flow Characteristics

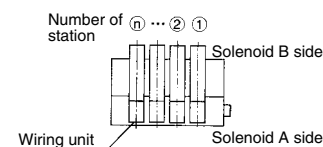
Model	Port size		Flow Characteristics					
	1, 5, 3 (P, EA, EB)	4, 2 (A, B)	1→4/2(P→A/B)			4/2→5/3(A/B→EA/EB)		
			C[dm ³ /(s-bar)]	b	Cv	C[dm ³ /(s-bar)]	b	Cv
10-SS5Y9-23P	3/8	C12	6.3	0.20	1.5	8.2	0.28	1.9

- Note) The value is for manifold base with 5 stations and individually operated 2 position type.

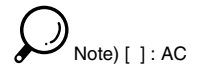
Internal wiring of manifold (Non-polar type)



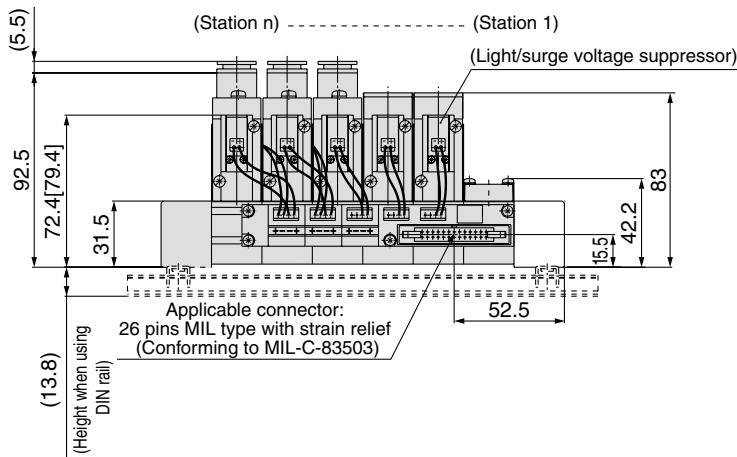
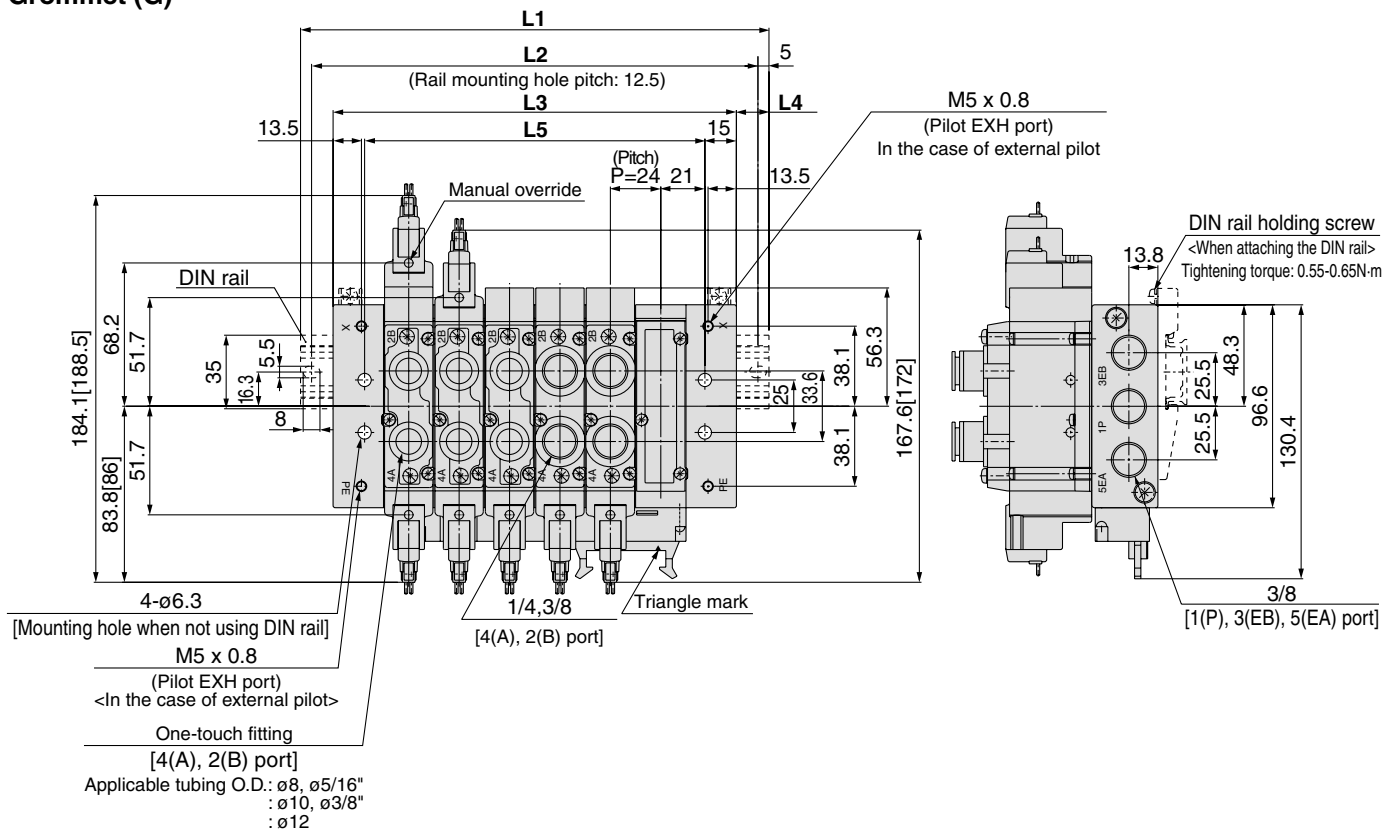
- For more than 10 stations, both poles of the common should be wired.
- For single solenoid, connect to the solenoid A side.
- The maximum number of stations that can be accommodated is 12. For more stations, please contact SMC.



10-SY9000: 10-SS5Y9-23P- Stations -(D)



Grommet (G)

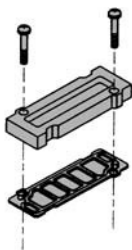


Stations n	4 stations	5	6	7	8	9	10	11	12 stations
L1	173	198	223	248	273	298	323	335.5	360.5
L2	162.5	187.5	212.5	237.5	262.5	287.5	312.5	325	350
L3	144	168	192	216	240	264	288	312	336
L4	14.5	15	15.5	16	16.5	17	17.5	12	12.5
L5	114	138	162	186	210	234	258	282	306

Note) In the case of direct mounting without DIN rail, total width of manifold is L3.

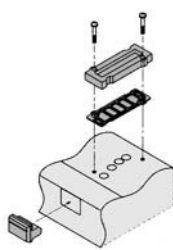
Manifold Option

■ Type 20, 23 Blanking plate assembly



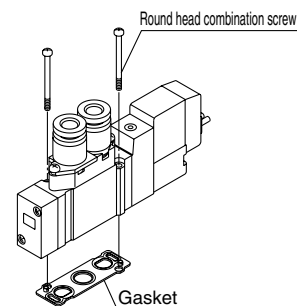
Series	Assembly part No.
10-SY3000	SY3000-26-9A
10-SY5000	SY5000-26-20A
10-SY7000	SY7000-26-22A
10-SY9000	SY9000-26-1A

■ Type 20P, 23P Blanking plate assembly



Series	Assembly part No.
10-SY3000	SY3000-26-10A
10-SY5000	SY5000-26-21A
10-SY7000	SY7000-26-23A
10-SY9000	SY9000-26-3A

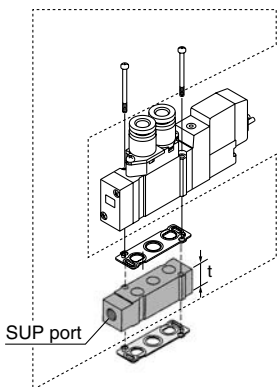
■ Gasket assembly part No.



Series	Gasket assembly
10-SY3000	SY3000-GS-1
10-SY5000	SY5000-GS-1
10-SY7000	SY7000-GS-1
10-SY9000	SY9000-GS-1

Note) Gasket assembly consists of mounting screws and a gasket.

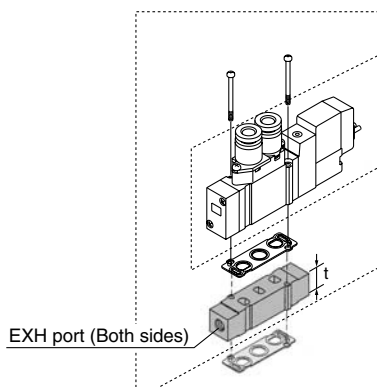
■ Individual SUP spacer assembly



Series	Assembly part No.	Port size	t
10-SY3000	SY3000-38-20A	M5 x 0.8	10.5
10-SY5000	SY5000-38-1 * A	1/8	15
10-SY7000	SY7000-38-1 * A	1/4	18
10-SY9000	SY9000-38-1 * A	1/4	20

Note) · The SUP port of 10-SY3000/5000/7000 may be either on the lead wire side or end plate side. (An assembly is shipped under the conditions shown in the figure.)
· The end plate side is only available to 10-SY9000.

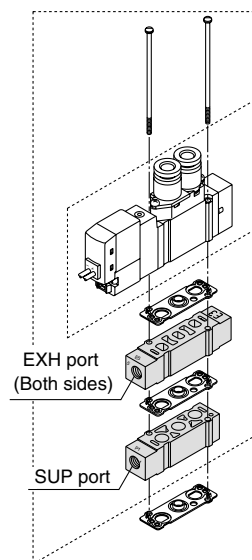
■ Individual EXH spacer assembly



Series	Assembly part No.	Port size	t
10-SY3000	SY3000-39-20A	M5 x 0.8	10.5
10-SY5000	SY5000-39-1 * A	1/8	15
10-SY7000	SY7000-39-1 * A	1/4	18
10-SY9000	SY9000-39-1 * A	1/4	20

Note) In case of types 20P and 23P, for protection of the wiring unit section from drainage, piping at the EA port should be arranged so that it will not be directly exposed to exhaust from the valve.

■ Individual SUP spacer assembly + Individual EXH spacer assembly (stacked)



[○: Applicable ×: Not applicable]

Series	Individual SUP + individual EXH assembly part No.	Port size	Applicable manifold type	
			20	20P
10-SY3000	SY3000-120-1A	M5 x 0.8	○	×
10-SY5000	SY5000-75-2 * A	1/8	○	×
10-SY7000	SY7000-73-3 * A	1/4	○	×

Note) The SUP port of SUP spacer can be mounted in either direction. For the EXH port, connect the side marked with "5" to the pilot valve side. Be sure to connect each port of the pilot valve to protect from drainage. An individual SUP spacer and an individual EXH spacer can be mounted on either top or bottom. (An assembly is shipped under the condition shown in the figure above.)

⚠ Caution

Mounting screw tightening torque

M2: 0.16N·m
M3: 0.8N·m
M4: 1.4N·m

* : Thread type

Nil	Rc
F	G
N	NPT
T	NPTF

⚠ Warning

When mounting a valve or spacer on the manifold base or sub-plate, etc., those mounting directions are determined. If mounted in the wrong direction, the equipment to be connected may cause malfunction. Refer to external dimensions, and then mount it.

Type **20** Type **20P**

Body ported **10-SY3000/5000/7000/9000**

Type **23** Type **23P**

Manifold option

■ **SUP block disc (for 10-SY9000)**

By installing a SUP block disc in the pressure supply passage of a manifold valve, it is possible to supply two or more different high and low pressures to one manifold.



Series	Part no.
10-SY9000	SY9000-61-2A

■ **EXH block disc (for 10-SY9000)**

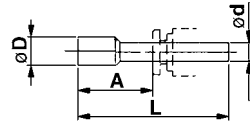
By installing an EXH block disc in the exhaust passage of a manifold valve, it is possible to divide the valve's exhaust so that it does not affect another valve. (Two block disks are needed to divide both exhausts.)



Series	Part no.
10-SY9000	SY9000-61-2A

■ **Plug (White)**

To be inserted into unused cylinder ports and supply/exhaust ports. The minimum order quantity is 10 pieces.

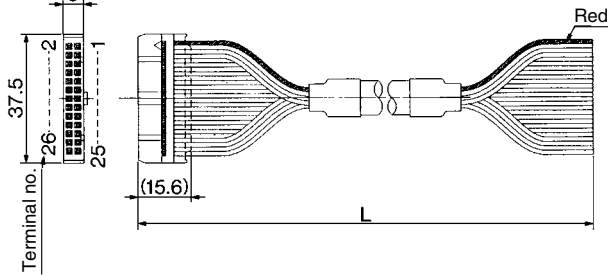


Dimensions

Applicable fitting size ød	Model	A	L	D
4	10-KQP-04	16	32	6
6	10-KQP-06	18	35	8
8	10-KQP-08	20.5	39	10
10	10-KQP-10	22	43	12
12	10-KQP-12	24	44.5	14
1/8"	10-KQP-01	16	31.5	5
5/32"	10-KQP-03	16	32	6
1/4"	10-KQP-07	18	35	8.5
5/16"	10-KQP-09	20.5	39	10
3/8"	10-KQP-11	22	43	11.5

■ **Cable assembly (for 20P and 23P)**

AXT100-FC26-¹/₃



Connector assembly for flat ribbon cable

Cable length (L)	Assembly part No.	Note
1.5m	AXT100-FC26-1	Cable 26 cores x 28AWG
3m	AXT100-FC26-2	
5m	AXT100-FC26-3	

⦿ * For other connectors in the marketplace, use a 26 pins with strain relief conforming to MIL-C-83503.

Example of connector manufacturers

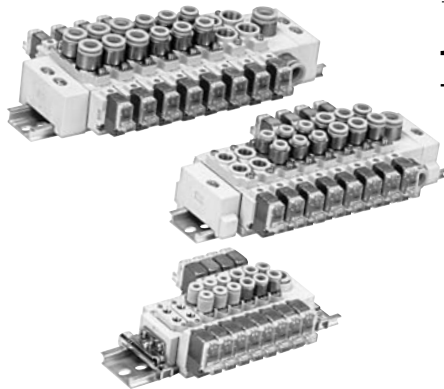
- Hirose Electric Co.,Ltd.
- Japan Aviation Electronics Industry, Ltd.
- Sumitomo 3M Ltd.
- J.S.T. Mfg Co., Ltd.
- Fujitsu Ltd.

Series 10-SY3000/5000/7000

Type **60**

Body ported cassette manifold

How to Order



10 — **SS5Y** **3** — **60** — **05** **D** — []

• Clean series

Series

3	10-SY3000
5	10-SY5000
7	10-SY7000

Valve stations

02	2 stations
⋮	⋮
20	20 stations

• Option

When a DIN rail longer than the specified stations is required, enter the number of manifold stations. (Max. 20 stations)

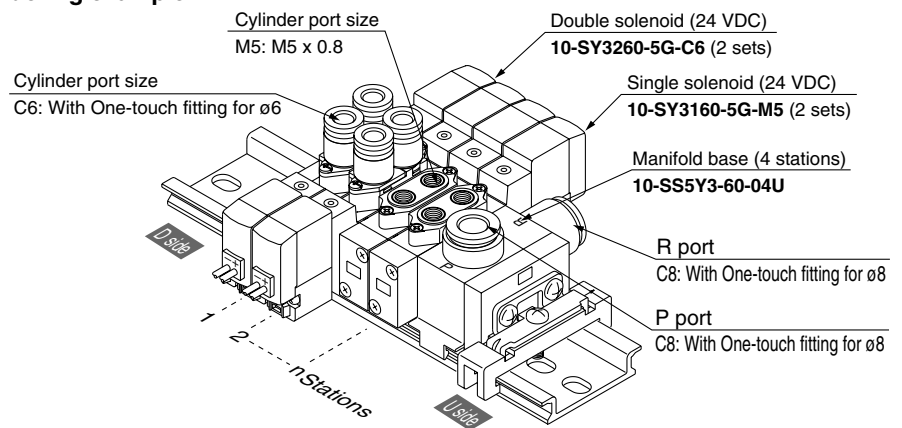
• SUP/EXH block assembly mounting position

Symbol	Mounting position	Applicable stations
U	U side	2 to 10 stations
D	D side	
B	Both sides	2 to 20 stations
M*	Special specifications	

* For special specifications, indicate separately on the manifold specification sheet.

How to Order Valve Manifold Assembly

Ordering example



10-SS5Y3-60-04U1 set (Type 60, 4 station manifold base part No.)

* 10-SY3260-5G-C62 sets (Double solenoid part No.)

* 10-SY3160-5G-M52 sets (Single solenoid part No.)


* The asterisk denotes the symbol for assembly. Prefix it to the part nos. of the solenoid valve, etc.

Add the valve and option part number under the manifold base part number.

In the case of complex arrangement, specify them on the manifold specification sheet.


Manifold Specifications

Model		10-SS5Y3-60	10-SS5Y5-60	10-SS5Y7-60
Applicable valve		10-SY3□60	10-SY5□60	10-SY7□60
Manifold type		Stacking type / DIN rail mounted		
P(SUP) / R(EXH)		Common SUP / Common EXH		
Valve stations		2 to 20 stations ^{Note)}		
A, B port location		Valve		
Port size	P, R port	C8 (One-touch fitting for ø8)	C10 (One-touch fitting for ø10)	C12 (One-touch fitting for ø12)
	A, B port	M5 x 0.8 C4 (One-touch fitting for ø4) C6 (One-touch fitting for ø6)	1/8 C4 (One-touch fitting for ø4) C6 (One-touch fitting for ø6) C8 (One-touch fitting for ø8)	1/4 C8 (One-touch fitting for ø8) C10 (One-touch fitting for ø10)
Manifold base weight W (g) (n: Number of SUP / EXH blocks, m: Weight of DIN rail)		W = 13n + m + 36	W = 41.2n + m + 77.6	W = 65.4n + m + 128.2

 Note) In cases such as those where many valves are operated simultaneously, use "- Stations B (SUP/EXH block on both sides)", applying pressure to the P ports on both sides and exhausting from the R ports on both sides.

Flow characteristics

Model	Port size		Flow characteristics					
	1,5/3 (P,R)	4,2 (A,B)	1→4/2(P→A/B)			4/2→5/3(A/B→R)		
			C[dm ³ /(s·bar)]	b	Cv	C[dm ³ /(s·bar)]	b	Cv
10-SS5Y3-60	C8	M5	0.55	0.29	0.14	0.72	0.24	0.18
		C4	0.57	0.24	0.14	0.71	0.20	0.17
		C6	0.68	0.28	0.17	0.77	0.24	0.19
10-SS5Y5-60	C10	1/8	1.8	0.24	0.44	2.1	0.17	0.47
		C6	1.5	0.30	0.37	2.0	0.16	0.46
		C8	1.8	0.20	0.45	2.2	0.17	0.50
10-SS5Y7-60	C12	1/4	3.7	0.25	0.96	3.8	0.19	0.94
		C8	3.2	0.26	0.81	4.0	0.18	0.96
		C10	3.7	0.28	0.98	4.1	0.19	1.0

 Note) The value is for manifold base with 5 stations and individually operated 2 position type.

How to Order Valves

10 — SY 3 1 60 [] — 5 L [] [] — C6

• Clean series

Series

3	10-SY3000
5	10-SY5000
7	10-SY7000

Type of actuation

1	2 position single (A) (B) (EA) (P) (EB)
2	2 position double (A) (B) (EA) (P) (EB)
3	3 position closed center (A) (B) (EA) (P) (EB)
4	3 position exhaust center (A) (B) (EA) (P) (EB)
5	3 position pressure center (A) (B) (EA) (P) (EB)

Coil specifications

Nil	Standard
T	With power saving circuit <24 VDC, 12 VDC only>

* Power saving circuit is not available in the case of "D", "DO" or "W□" type.

Rated voltage

DC	
5	24 VDC
6	12 VDC
V	6 VDC
S	5 VDC
R	3 VDC

AC (50/60Hz)	
1	100 VAC
2	200 VAC
3	110 VAC [115 VAC]
4	220 VAC [230 VAC]

* DC specifications of type "D" and "DO" is only available with 12 and 24 VDC.
* "D" and "DO" are only available for 10-SY5000/7000.
* For type "W□", DC voltage is only available.

A, B port size

Thread piping

Symbol	Port size	Applicable series
M5	M5 x 0.8	10-SY3000
O1	1/8	10-SY5000
O2	1/4	10-SY7000

One-touch fitting (Metric size)

Symbol	Port size	Applicable series
C4	One-touch fitting for ø4	10-SY3000
C6	One-touch fitting for ø6	
C4	One-touch fitting for ø4	10-SY5000
C6	One-touch fitting for ø6	
C8	One-touch fitting for ø8	10-SY7000
C10	One-touch fitting for ø10	

One-touch fitting (Inch size)

Symbol	Port size	Applicable series
N3	One-touch fitting for ø5/32"	10-SY3000
N7	One-touch fitting for ø1/4"	
N3	One-touch fitting for ø5/32"	10-SY5000
N7	One-touch fitting for ø1/4"	
N9	One-touch fitting for ø5/16"	10-SY7000
N11	One-touch fitting for ø3/8"	

Manual override

<p>Nil: Non-locking push type</p>	<p>D: Push-turn locking slotted type</p>	<p>E: Push-turn locking lever type</p>
--	---	---

Light/surge voltage suppressor

Electrical entry for G, H, L, M, W

Nil	Without light/surge voltage suppressor
S	With surge voltage suppressor
Z	With light/surge voltage suppressor
R	With surge voltage suppressor (Non-polar type)
U	With light/surge voltage suppressor (Non-polar type)

* Type "S" is not available with AC, which prevents surge voltage with a rectifier.
* Power saving circuit is only available in the "Z" type.

Electrical entry for D (10-SY5000/7000 only)

Nil	Without light/surge voltage suppressor
S	With surge voltage suppressor (Non-polar type)
Z	With light/surge voltage suppressor (Non-polar type)

* Type "S" is not available with AC, which prevents surge voltage with a rectifier.

Electrical entry

24, 12, 6, 5, 3 VDC / 100, 110, 200, 220 VAC				24, 12 VDC 100, 110, 200, 220 VAC	24, 12, 6, 5, 3 VDC
Grommet	L plug connector	M plug connector	MN: Without lead wire	DIN terminal (10-SY5000/7000 only) D: With connector	M8 connector
<p>G: Lead wire length 300 mm</p>	<p>L: With lead wire (length 300 mm)</p>	<p>M: With lead wire (length 300 mm)</p>	<p>MN: Without lead wire</p>	<p>D: With connector</p>	<p>WO: Without connector cable</p>
<p>H: Lead wire length 600 mm</p>	<p>LN: Without lead wire</p>	<p>LO: Without connector</p>	<p>MO: Without connector</p>	<p>DO: Without connector</p>	<p>W□: With connector cable (Note 1)</p>

* "LN", "MN" type: with 2 sockets.
* DIN terminal type "Y" conforming to EN-175301-803C (former DIN43650C) is available, too. For details, please refer to page 482.
* For M8 connector cable, please refer to page 490.
Note 1) Please enter cable length in □ with reference to page 491.

Air cylinder

Rotary actuator

Air gripper

Directional control valve

Flow control equipment

Filter, Pressure control equipment

Fittings & Tubing


Air preparation equipment

Pressure switch

Clean gas filter

Specifications


Series		10-SY3000	10-SY5000	10-SY7000
Fluid		Air		
Internal pilot operating pressure range MPa	2 position single	0.15 to 0.7		
	2 position double	0.1 to 0.7		
	3 position	0.2 to 0.7		
Ambient and fluid temperature (°C)		Max. 50		
Max. operating frequency(Hz)	2 position single/double	10	5	5
	3 position	3	3	3
Manual override (Manual operation)		Non-locking push type, Push-turn locking slotted type, Push-turn locking lever type		
Pilot exhaust system		Common exhaust type for main and pilot valve		
Lubrication		Not required		
Mounting orientation		Unrestricted		
Impact / Vibration resistance m/s ² (Note)		150/30		
Enclosure		Dustproof (* DIN terminal, M8 connector conforms to IP65)		

 Note) Impact resistance: No malfunction occurred when it is tested in the axial direction and at the right angles to the main valve and armature in both energized and de-energized states once each condition.

Vibration resistance: No malfunction occurred in a one-sweep test between 45 and 2000Hz. Test was performed in both energized and de-energized states in the axial direction and at the right angles to the main valve and armature. (Values in the initial stage)

Solenoid specifications

Electrical entry		Grommet (G)/(H) L plug connector (L) M plug connector (M) DIN terminal (D) M8 connector (W)	
		G, H, L, M, W	D
Coil rated voltage (V)	DC	24, 12, 6, 5, 3	
	AC 50/60Hz	100, 110, 200, 220	
Allowable voltage fluctuation		±10% of rated voltage *	
Power consumption (W)	DC	Standard	0.35 {With indicator light: 0.4 (DIN terminal with light: 0.45)}
		<small>With power saving circuit</small>	0.1 (With indicator light only)
Apparent * power (VA)	AC	100V	0.78 (With indicator light: 0.81) 0.78 (With indicator light: 0.87)
		110V [115V]	0.86 (With indicator light: 0.89) 0.86 (With indicator light: 0.97) [0.94 (With indicator light: 0.97)] [0.94 (With indicator light: 1.07)]
		200V	1.18 (With indicator light: 1.22) 1.15 (With indicator light: 1.30)
		220V [230V]	1.30 (With indicator light: 1.34) 1.27 (With indicator light: 1.46) [1.42 (With indicator light: 1.46)] [1.39 (With indicator light: 1.60)]
Surge voltage suppressor		Diode (Varistor is for DIN terminal and non-polar.)	
Indicator light		LED (AC of DIN connector in neon bulb.)	

 * In common between 110 VAC and 115 VAC, and between 220 VAC and 230 VAC.


* For 115 VAC and 230 VAC, the allowable voltage is -15% to +5% of rated voltage.

* Allowable voltage fluctuation range for types S, Z and T (with power saving circuit) are shown below. These types generate voltage drop due to internal circuit.

Type S, Z 24 VDC: -7% to +10%
12 VDC: -4% to +10%

Type T 24 VDC: -8% to +10%
12 VDC: -6% to +10%

Response time

 Note) Based on dynamic performance test, JIS B 8375-1981. (Coil temperature: 20°C, at rated voltage)

10-SY3000

Type of actuation	Response time ms (at 0.5MPa)		
	Without surge voltage suppressor	With surge voltage suppressor	
		S, Z type	R, U type
2 position single	12 or less	15 or less	12 or less
2 position double	10 or less	13 or less	10 or less
3 position	15 or less	20 or less	16 or less

10-SY5000

Type of actuation	Response time ms (at 0.5MPa)		
	Without surge voltage suppressor	With surge voltage suppressor	
		S, Z type	R, U type
2 position single	19 or less	26 or less	19 or less
2 position double	18 or less	22 or less	18 or less
3 position	32 or less	38 or less	32 or less

10-SY7000

Type of actuation	Response time ms (at 0.5MPa)		
	Without light/surge voltage suppressor	With light/surge voltage suppressor	
		S, Z type	R, U type
2 position single	31 or less	38 or less	33 or less
2 position double	27 or less	30 or less	28 or less
3 position	50 or less	56 or less	50 or less

How to Order Pilot Valve Assembly

10 — V111 — 5 — G —

• Clean series

Coil specifications

Nil	Standard
T	With power saving circuit <24 VDC and 12 VDC only>

* Power saving circuit is not available in the case of "D", "DO" or "W□" type.

Rated voltage

5	24 VDC
6	12 VDC
V	6 VDC
S	5 VDC
R	3 VDC
1	100 VAC ^{50/60} Hz
2	200 VAC ^{50/60} Hz
3	110 VAC ^{50/60} Hz [115 VAC ^{50/60} Hz]
4	220 VAC ^{50/60} Hz [230 VAC ^{50/60} Hz]

* For type "W□", DC voltage is only available.

Light/surge voltage suppressor

Nil	Without light/surge voltage suppressor
S	With surge voltage suppressor
Z	With light/surge voltage suppressor
R	With surge voltage suppressor (Non-polar type)
U	With light/surge voltage suppressor (Non-polar type)

* For AC voltage valves, there is no "S" option. It is already built-in to the rectifier circuit.
* For "R" and "U", DC voltage is only available.
* Power saving circuit is only available in the "Z" type.

Electrical entry

G	Grommet (Lead wire length 300 mm)
H	Grommet (Lead wire length 600 mm)
L	With lead wire
LN	Without lead wire
LO	Without connector
M	With lead wire
MN	Without lead wire
MO	Without connector
WO	Without connector cable
Wm	With connector cable ^{Note 1)}

* For connector cable of M8 connector, refer to page 490.
Note 1) Please enter cable length in □ with reference to page 491.

How to Order Connector Assembly for L/M Plug Connector

For DC: SY100-30-4A —
For 100 VAC: SY100-30-1A —
For 200 VAC: SY100-30-2A —
For other voltages of AC: SY100-30-3A —
Without lead wire: SY100-30-A
(only connector and 2 pcs. of sockets)

Lead wire length

Nil	300mm
6	600mm
10	1000mm
15	1500mm
20	2000mm
25	2500mm
30	3000mm
50	5000mm

■ DIN terminal type

10 — V115 — 5 — D —

• Clean series

Rated voltage

5	24 VDC
6	12 VDC
1	100 VAC ^{50/60} Hz
2	200 VAC ^{50/60} Hz
3	110 VAC ^{50/60} Hz [115 VAC ^{50/60} Hz]
4	220 VAC ^{50/60} Hz [230 VAC ^{50/60} Hz]

* DC specifications of type "D" and "DO" is only available with 12 VDC and 24 VDC.

Light/surge voltage suppressor

Nil	Without light/surge voltage suppressor
S	With surge voltage suppressor (Non-polar type)
Z	With light/surge voltage suppressor (Non-polar type)

* "DOZ" is not available.
* For AC voltage valves, there is no "S" option. It is already built-in to the rectifier circuit.

Electrical entry

D	DIN terminal	With connector
DO	DIN terminal	Without connector

Note) Do not replace 10-V111 (G, H, L, M) to 10-V115 (DIN terminal) and vice versa when replacing pilot valve assembly only.

How to Order M8 Connector Cable

V100-49-1 —

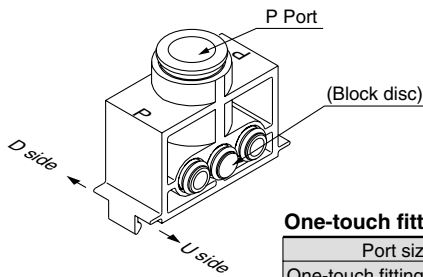
Cable length

1	300mm
2	500mm
3	1000mm
4	2000mm
7	5000mm

* Refer to page 491 for details.

Manifold Option

Individual SUP block assembly



One-touch fitting (Metric size)

Port size	Assembly part No.	Applicable series
One-touch fitting for ø6	SY3000-54-2C	10-SY3000
One-touch fitting for ø8	SY3000-54-1C	10-SY3000
One-touch fitting for ø10	SY5000-54-1C	10-SY5000
One-touch fitting for ø12	SY7000-54-1C	10-SY7000

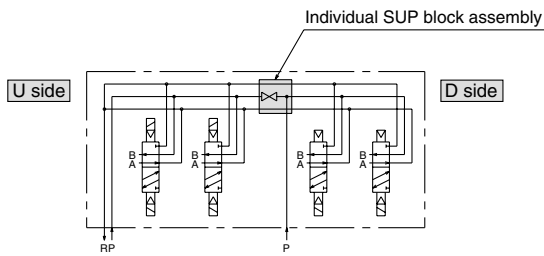
One-touch fitting (Inch size)

Port size	Assembly part No.	Applicable series
One-touch fitting for ø5 / 16"	SY3000-54-3C	10-SY3000
One-touch fitting for ø3 / 8"	SY5000-54-2C	10-SY5000
One-touch fitting for ø3 / 8"	SY7000-54-3C	10-SY7000

[When supplying the manifold with 2 different supply pressures.]

Specify arrangement of individual SUP block assembly on the manifold specification sheet. (When using 10-SS5Y□-60-□□D, block disk is assembled on D side.)

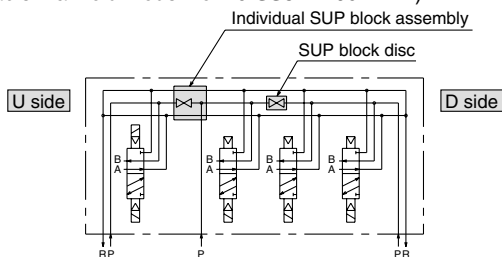
<Manifold model: 10-SS5Y³-60-□□_D>



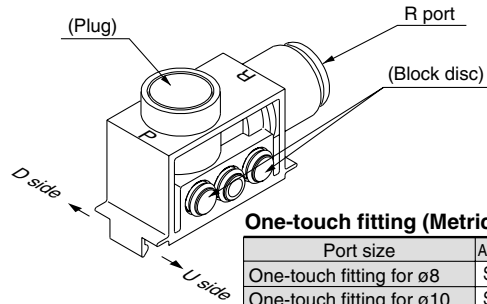
[When a different supply pressure is required for only a middle valve.]

Specify arrangement of individual SUP block assembly and SUP block disk on the manifold specification sheet.

(Applicable manifold model no. 10-SS5Y□-60-□□B)



Individual EXH block assembly



One-touch fitting (Metric size)

Port size	Assembly part No.	Applicable series
One-touch fitting for ø8	SY3000-55-1B	10-SY3000
One-touch fitting for ø10	SY5000-55-1B	10-SY5000
One-touch fitting for ø12	SY7000-55-1B	10-SY7000

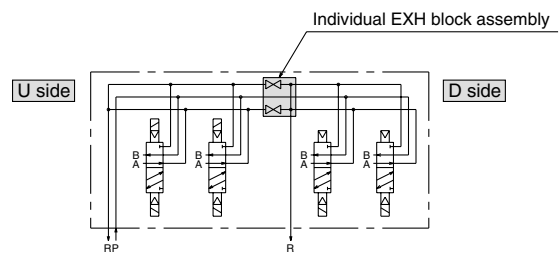
One-touch fitting (Inch size)

Port size	Assembly part No.	Applicable series
One-touch fitting for ø5 / 16"	SY3000-55-2B	10-SY3000
One-touch fitting for ø3 / 8"	SY5000-55-2B	10-SY5000
One-touch fitting for ø3 / 8"	SY7000-55-3B	10-SY7000

[When 2 different EXH passages are required.]

Specify arrangement of individual EXH block assembly on the manifold specification sheet. (When using 10-SS5Y□-60-□□D, block disk is assembled on D side.)

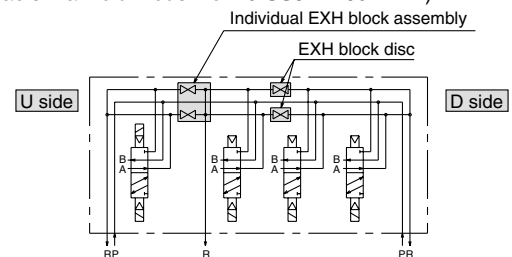
<Manifold model: 10-SS5Y³-60-□□_D>



[When a separate exhaust passage is needed on only a middle valve.]

Specify arrangement of individual EXH block assembly and EXH block disk on the manifold specification sheet.

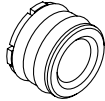
(Applicable manifold model no. 10-SS5Y□-60-□□B)



Manifold Option

■SUP block disc

By installing a SUP block disc in the pressure supply passage of a manifold valve, it is possible to supply two or more different high and low pressures to one manifold. (This is the same block disc used with the individual SUP block assembly.)



Series	Part No.
10-SY3000	SY3000-52-6A
10-SY5000	SY5000-52-4A
10-SY7000	SY7000-70-2A

■EXH block disc

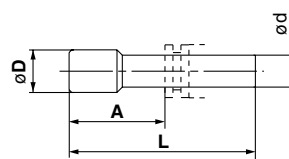
By installing an EXH block disc in the exhaust passage of a manifold valve, it is possible to divide the valve's exhaust so that it does not affect another valve. (Two block discs are needed to separate both EXH passages. It is the same block disc that is used in the individual EXH block assembly.)



Series	Part no.
10-SY3000	SY3000-52-6A
10-SY5000	SY5000-52-4A
10-SY7000	SY7000-70-2A

■Plug (White)

These are inserted in unused cylinder ports and SUP/EXH ports. Purchasing order is available in units of 10 pieces.



Dimensions

Applicable fitting size ød	Model	A	L	D
4	10-KQP-04	16	32	6
6	10-KQP-06	18	35	8
8	10-KQP-08	20.5	39	10
10	10-KQP-10	22	43	12
12	10-KQP-12	24	45.5	14
5/32"	10-KQP-03	16	32	6
1/4"	10-KQP-07	18	35	8.5
5/16"	10-KQP-09	20.5	39	10
3/8"	10-KQP-11	22	43	11.5

Air cylinder

Rotary actuator

Air gripper

Directional control valve

Flow control equipment

Filter, Pressure control equipment

Fittings & Tubing

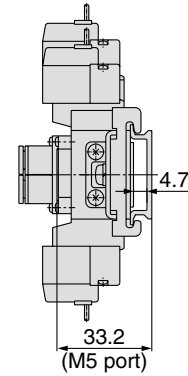
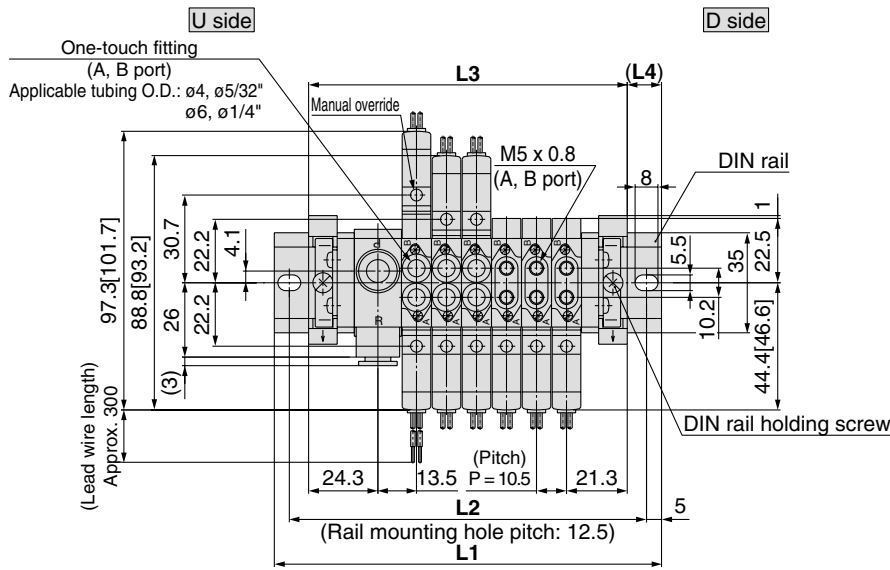
Air preparation equipment

Pressure switch

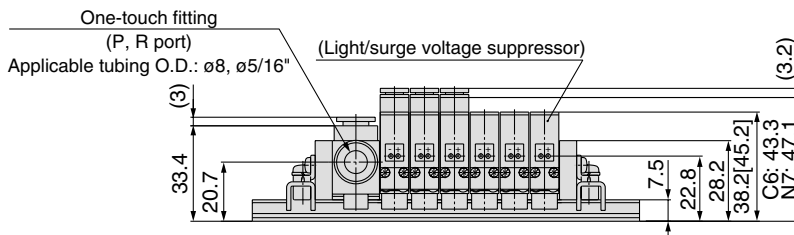
Clean gas filter

Dimensions

10-SS5Y3-60- Stations U

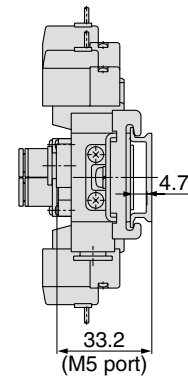
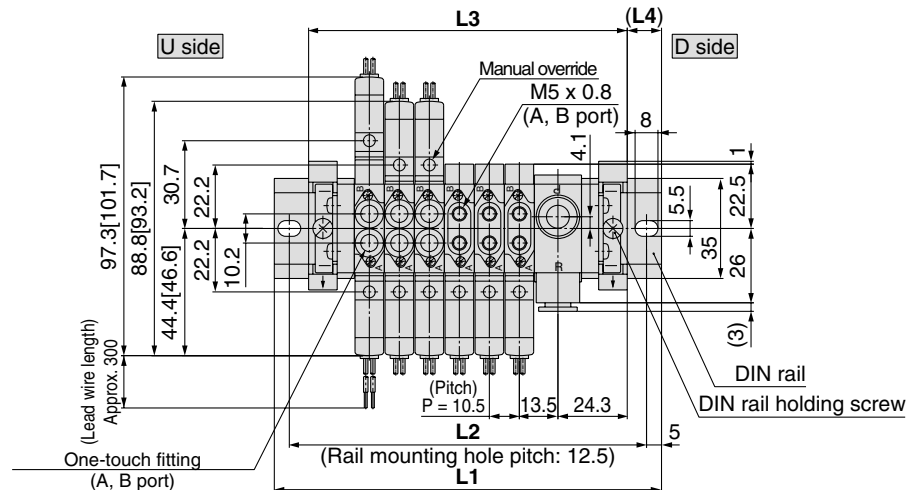


(Station n)----- (Station 1)

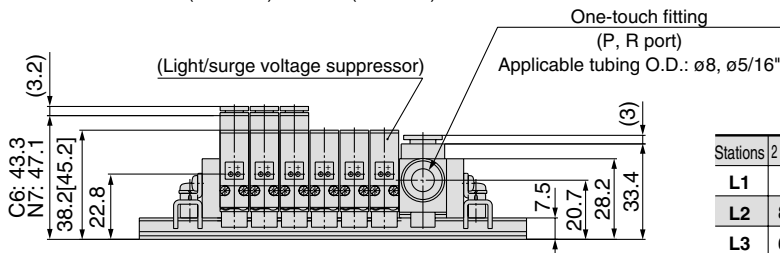


Stations	2 stations	3	4	5	6	7	8	9	10 stations
L1	98	110.5	123	135.5	135.5	148	160.5	173	185.5
L2	87.5	100	112.5	125	125	137.5	150	162.5	175
L3	69.5	80	90.5	101	111.5	122	132.5	143	153.5
L4	14	15	16	17	12	13	14	15	16

10-SS5Y3-60- Stations D

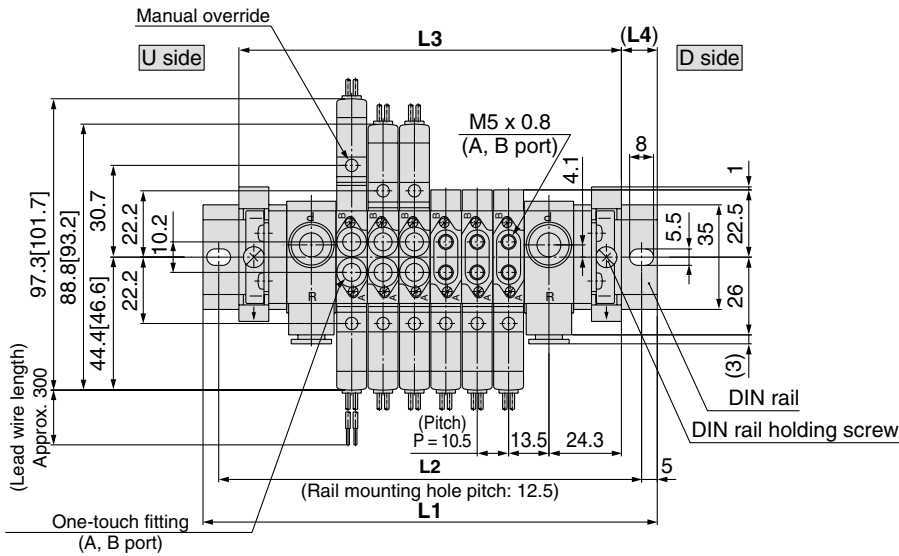


(Station n)----- (Station 1)

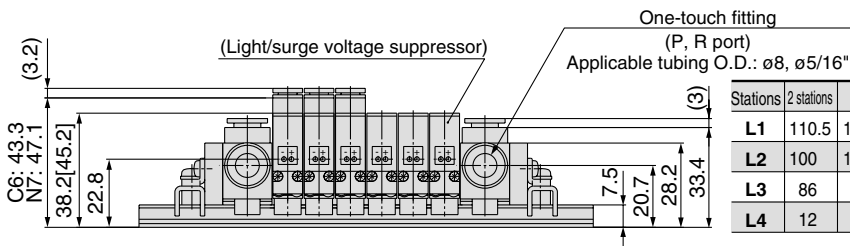
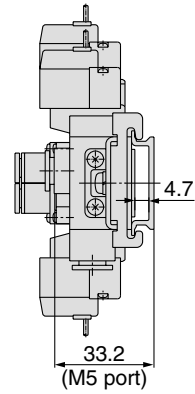


Stations	2 stations	3	4	5	6	7	8	9	10 stations
L1	98	110.5	123	135.5	135.5	148	160.5	173	185.5
L2	87.5	100	112.5	125	125	137.5	150	162.5	175
L3	69.5	80	90.5	101	111.5	122	132.5	143	153.5
L4	14	15	16	17	12	13	14	15	16

10-SS5Y3-60- Stations B



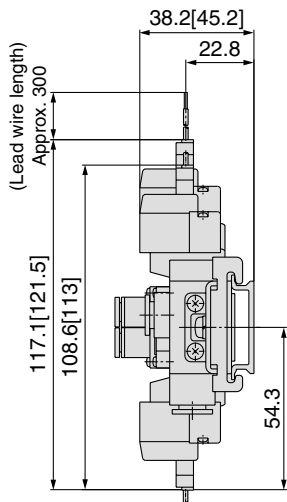
Applicable tubing O.D.: $\phi 4, \phi 5/32''$
 $\phi 6, \phi 1/4''$ (Station n) ----- (Station 1)



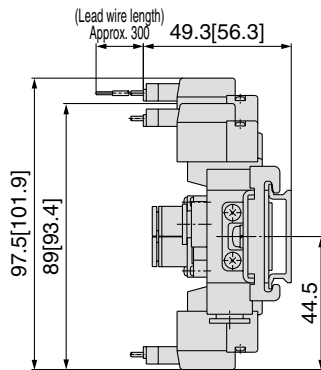
Stations	2 stations	3	4	5	6	7	8	9	10 stations
L1	110.5	123	135.5	148	160.5	173	173	185.5	198
L2	100	112.5	125	137.5	150	162.5	162.5	175	187.5
L3	86	96.5	107	117.5	128	138.5	149	159.5	170
L4	12	13	14	15	16	17	12	13	14

Stations	11 stations	12	13	14	15	16	17	18	19	20 stations
L1	210.5	223	235.5	235.5	248	260.5	273	285.5	298	310.5
L2	200	212.5	225	225	237.5	250	262.5	275	287.5	300
L3	180.5	191	201.5	212	222.5	233	243.5	254	264.5	275
L4	15	16	17	11.5	12.5	13.5	14.5	15.5	16.5	17.5

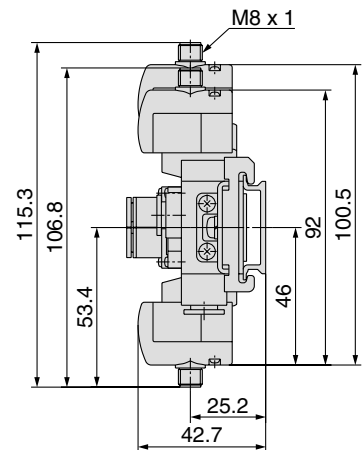
L plug connector (L)



M plug connector (M)



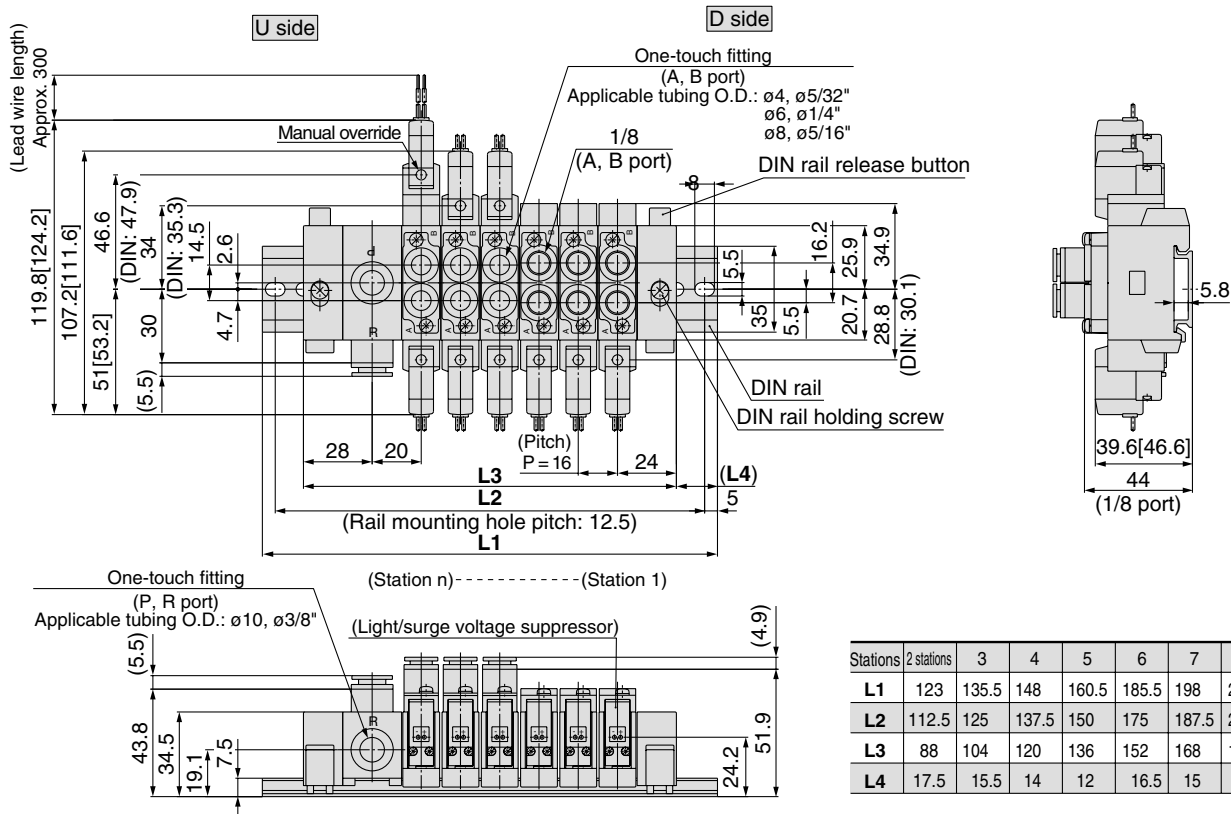
M8 connector (WO)



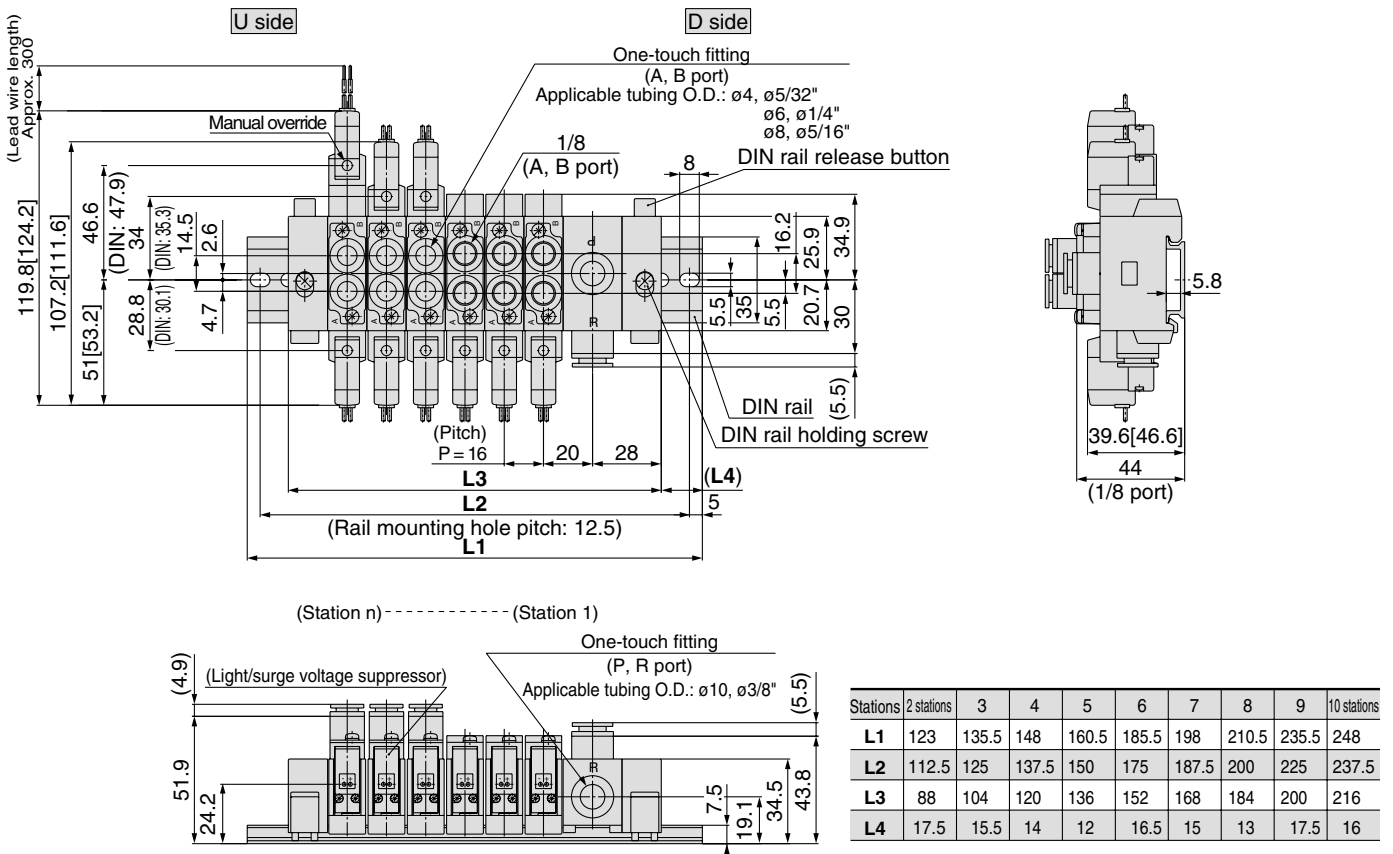
Note) Refer to page 490 for dimensions of connector types.

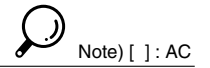
Dimensions

10-SS5Y5-60- Stations U

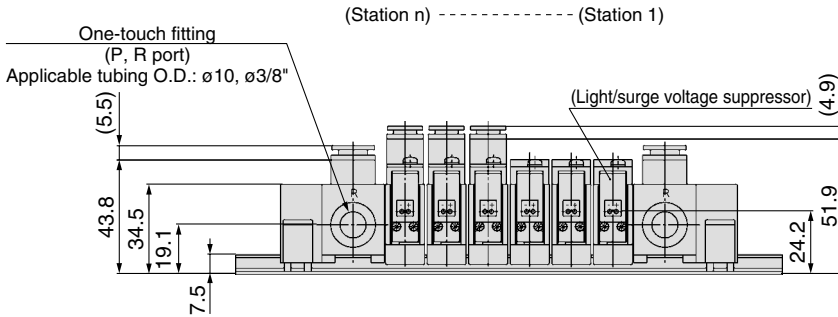
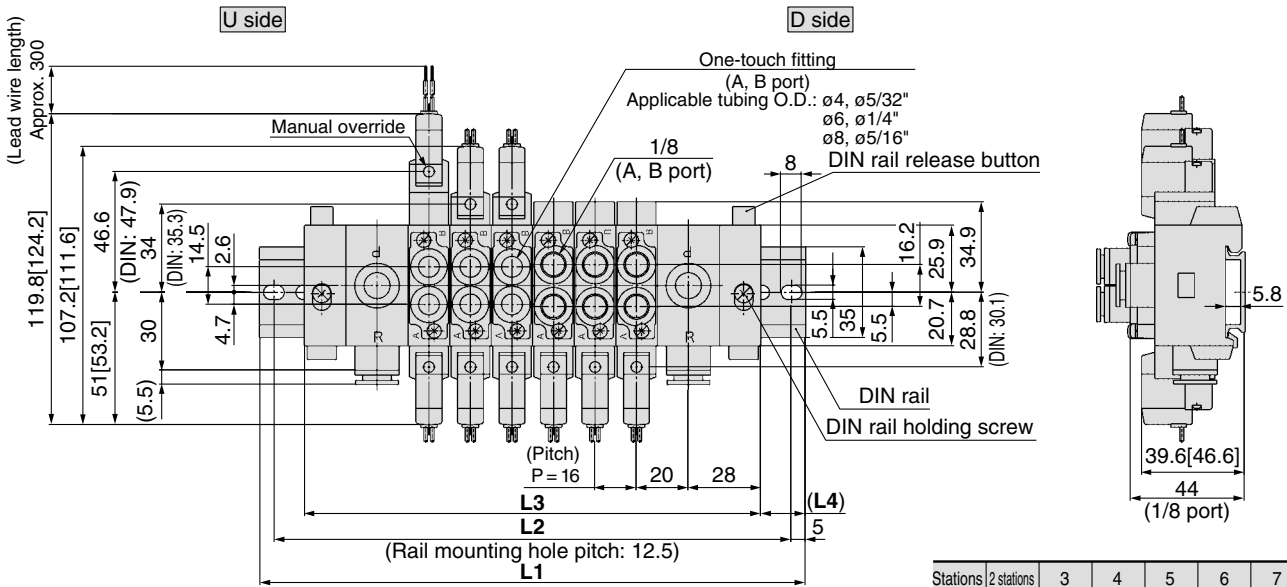


10-SS5Y5-60- Stations D





10-SS5Y5-60- Stations B

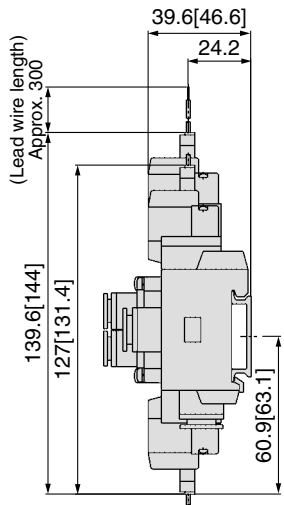


Stations	2 stations	3	4	5	6	7	8 stations
L1	135.5	160.5	173	185.5	210.5	223	235.5
L2	125	150	162.5	175	200	212.5	225
L3	112	128	144	160	176	192	208
L4	11.5	16	14.5	12.5	17.5	15.5	13.5

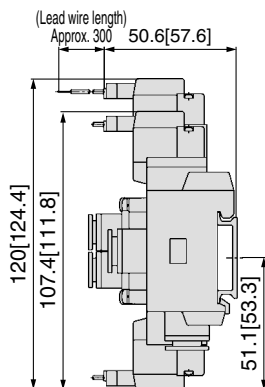
Stations	9 stations	10	11	12	13	14	15 stations
L1	248	273	285.5	298	323	335.5	348
L2	237.5	262.5	275	287.5	312.5	325	337.5
L3	224	240	256	272	288	304	320
L4	12	16.5	14.5	13	17.5	15.5	14

Stations	16 stations	17	18	19	20 stations
L1	360.5	385.5	398	410.5	435.5
L2	350	375	387.5	400	425
L3	336	352	368	384	400
L4	12	16.5	15	13	17.5

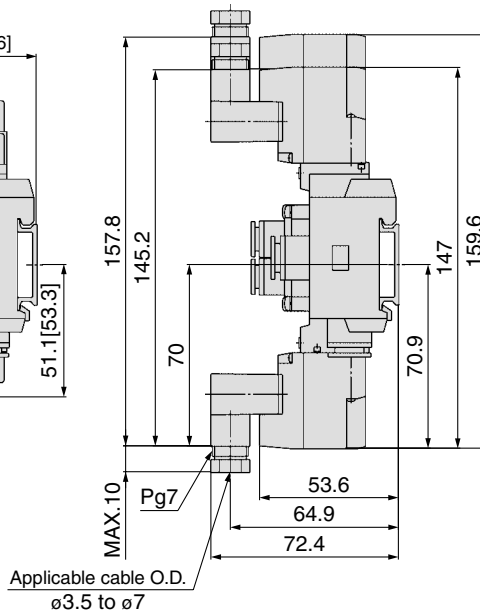
L plug connector (L)



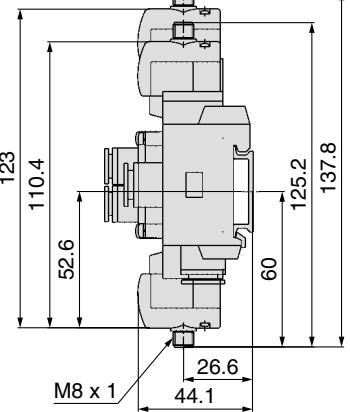
M plug connector (M)



DIN terminal (D)



M8 connector (WO)

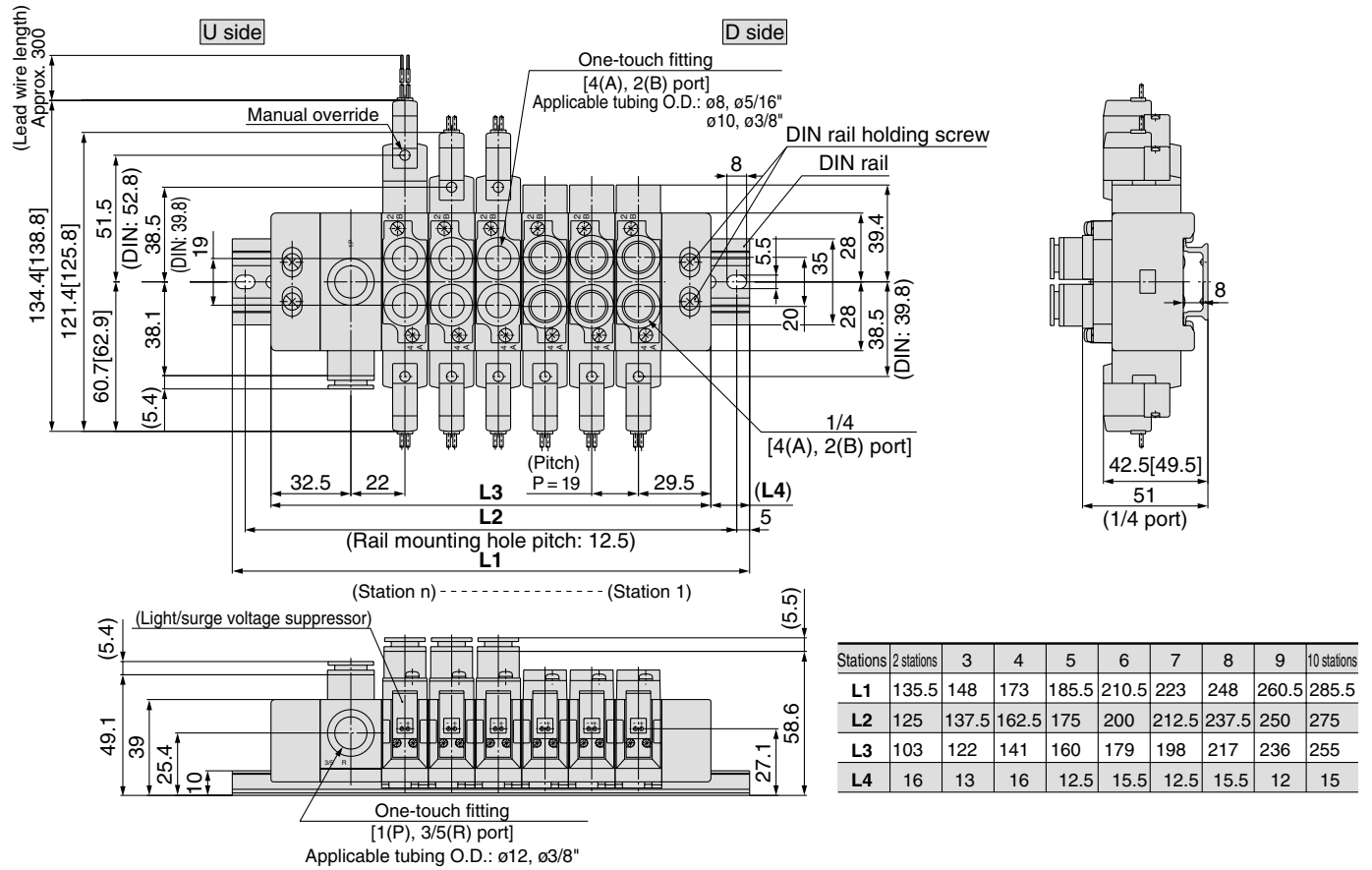


Note) Refer to page 490 for dimensions of connector types.

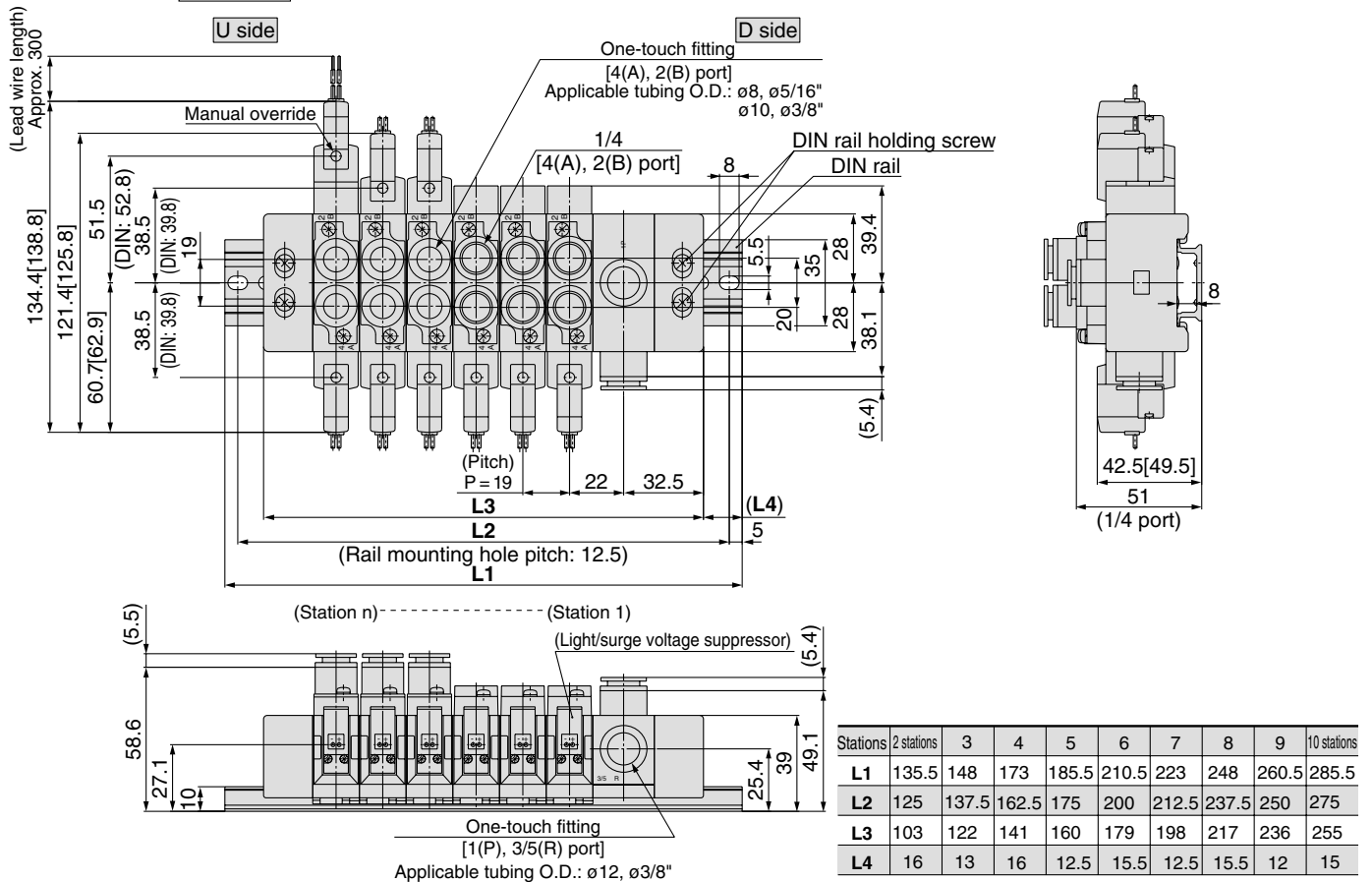
Air cylinder
Rotary actuator
Air gripper
Directional control valve
Flow control equipment
Filter, Pressure control equipment
Fittings & Tubing
Air preparation equipment
Pressure switch
Clean gas filter

Dimensions

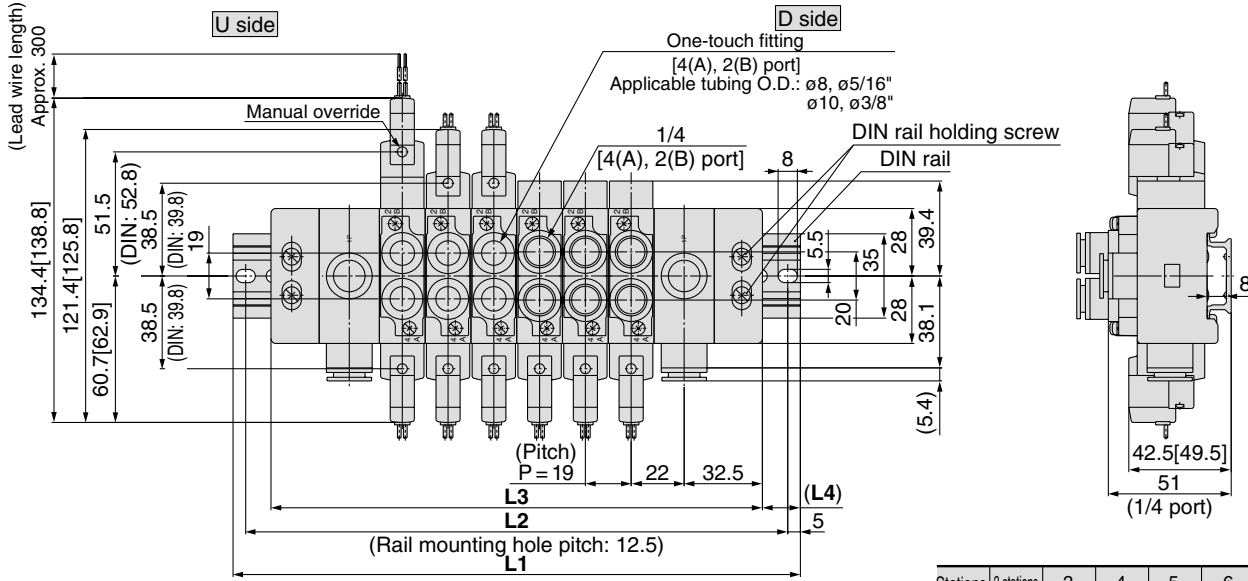
10-SS57-60- Stations U



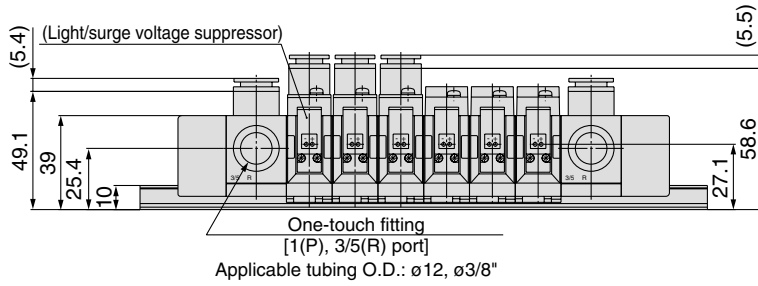
10-SS57-60- Stations D



10-SS5Y7-60-Stations B



(Station n) ----- (Station 1)

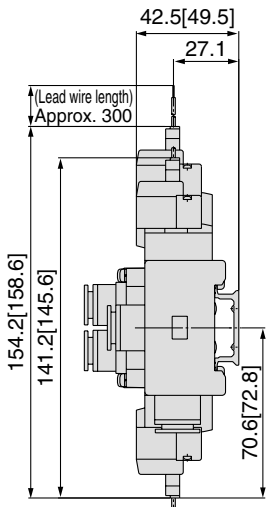


Stations	2 stations	3	4	5	6	7	8 stations
L1	160.5	173	198	210.5	235.5	248	273
L2	150	162.5	187.5	200	225	237.5	262.5
L3	128	147	166	185	204	223	242
L4	16	13	16	12.5	15.5	12.5	15.5

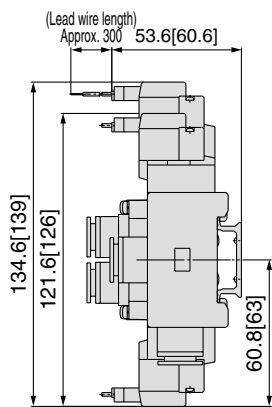
Stations	9 stations	10	11	12	13	14	15 stations
L1	285.5	310.5	323	348	360.5	385.5	410.5
L2	275	300	312.5	337.5	350	375	400
L3	261	280	299	318	337	356	375
L4	12	15	12	15	11.5	14.5	17.5

Stations	16 stations	17	18	19	20 stations
L1	423	448	460.5	485.5	498
L2	412.5	437.5	450	475	487.5
L3	394	413	432	451	470
L4	14.5	17.5	14	17	14

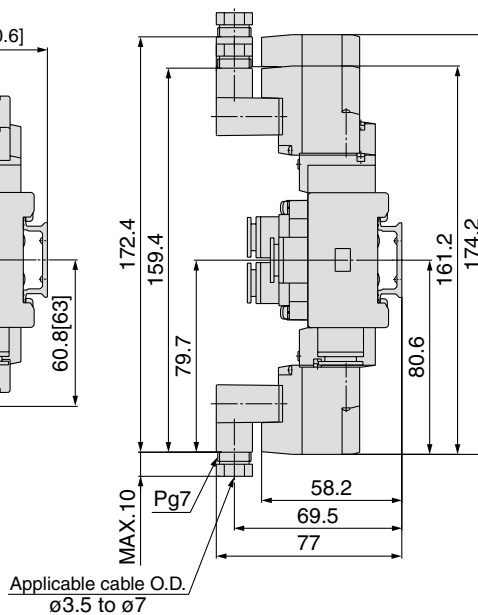
L plug connector (L)



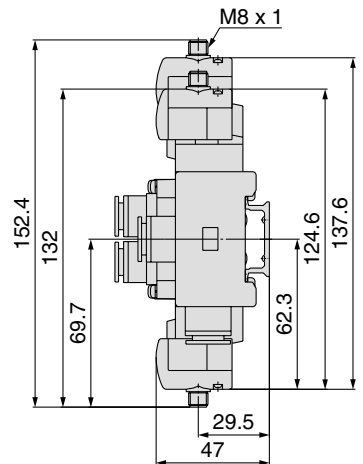
M plug connector (M)



DIN terminal (D)



M8 connector (WO)



Note) Refer to page 490 for dimensions of connector types.

Air cylinder

Rotary actuator

Air gripper

Directional control valve

Flow control equipment

Filter, Pressure control equipment

Fittings & Tubing

Air preparation equipment

Pressure switch

Clean gas filter

Series 10-SY3000/5000/7000

Type 41
Type 42

Base mounted manifold
Bar stock type /
Individual wiring

How to Order Manifold

Type 41 / Compact type

10 — SS5Y 5 — 41 — 05 — C8

• Clean series

Manifold series	
3	10-SY3000
5	10-SY5000

• Stations

02	2 stations
⋮	⋮
20	20 stations

* This also includes the number of blanking plate assemblies.

• A, B port size

Thread piping

Symbol	Port size	Applicable series
M5	M5 x 0.8	10-SY3000
01	1/8	10-SY5000

• Thread type

Nil	Rc
F	G
N	NPT
T	NPTF

* Except M5

One-touch fitting (Metric size)

Symbol	Port size	Applicable series
C4	One-touch fitting for ø4	10-SY3000
C6	One-touch fitting for ø6	10-SY5000
C6	One-touch fitting for ø6	10-SY5000
C8	One-touch fitting for ø8	10-SY5000

One-touch fitting (Inch size)

Symbol	Port size	Applicable series
N3	5/32 One-touch fitting for ø	10-SY3000
N7	1/4 One-touch fitting for ø	10-SY3000
N7	1/4 One-touch fitting for ø	10-SY5000
N9	5/16 One-touch fitting for ø	10-SY5000

Type 42/External pilot capable type

10 — SS5Y 5 — 42 — 05 — C8

• Clean series

Manifold series	
3	10-SY3000
5	10-SY5000
7	10-SY7000

• Stations

02	2 stations
⋮	⋮
20	20 stations

• A, B port size

Thread piping

Symbol	Port size	Applicable series
01	1/8	10-SY3000
02	1/4	10-SY5000
02	1/4	10-SY7000

• Thread type

Nil	Rc
F	G
N	NPT
T	NPTF

One-touch fitting (Metric size)

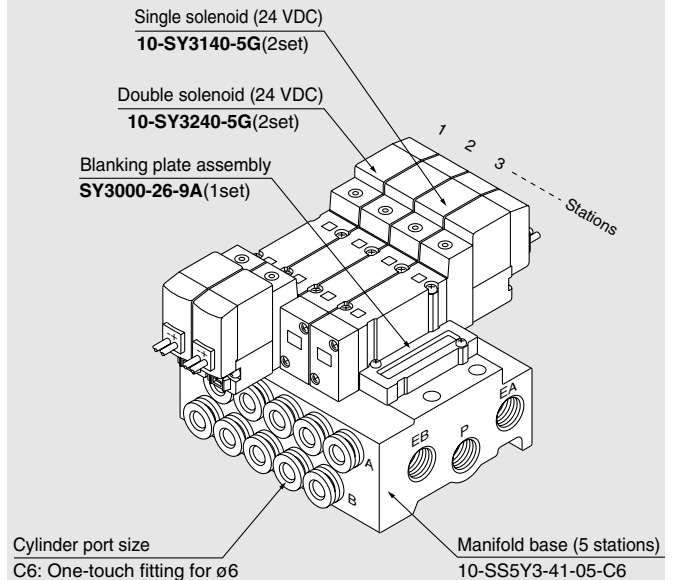
Symbol	Port size	Applicable series
C4	One-touch fitting for ø4	10-SY3000
C6	One-touch fitting for ø6	10-SY5000
C6	One-touch fitting for ø6	10-SY5000
C8	One-touch fitting for ø8	10-SY5000
C10	One-touch fitting for ø10	10-SY7000

One-touch fitting (Inch size)

Symbol	Port size	Applicable series
N3	One-touch fitting for ø5/32"	10-SY3000
N7	One-touch fitting for ø1/4"	10-SY3000
N7	One-touch fitting for ø1/4"	10-SY5000
N9	One-touch fitting for ø5/16"	10-SY5000
N11	One-touch fitting for ø3/8"	10-SY7000

How to Order Valve Manifold Assembly

Ordering example



10-SS5Y3-41-05-C6 ·1 set (Type 41, 5 stations manifold base part no.)
*10-SY3240-5G2 sets (Double solenoid part no.)
*10-SY3140-5G2 sets (Single solenoid part no.)
*SY3000-26-9A1 set (Blanking plate assembly part no.)

→The asterisk denotes the symbol for assembly. Prefix it to the part nos. of the solenoid valve, etc.

Add the valve and option part numbers under the manifold base part no. In the case of complex arrangement, specify them on the manifold specification sheet.

How to Order Valves

10 — SY 5 2 40 [] [] — 5 L [] []

• Clean series

Series

3	10-SY3000
5	10-SY5000
7	10-SY7000

Type of actuation

1	2 position single
2	2 position double
3	3 position closed center
4	3 position exhaust center
5	3 position pressure center

Pilot type

Nil	Internal pilot
R	External pilot

Coil specifications

Nil	Standard
T	With power saving circuit <only 24 VDC and 12 VDC>

* Power saving circuit is not available in the case of "D", "DO" or "W□" type.

Rated voltage

DC specifications

5	24 VDC
6	12 VDC
V	6 VDC
S	5 VDC
R	3 VDC

AC specifications (50/60 Hz)

1	100 VAC
2	200 VAC
3	110 VAC [115 VAC]
4	220 VAC [230 VAC]

* DC specifications of type "D" and "DO" is only available with 12 and 24 VDC.
* For type "W□", only DC voltage is available.

• Manual override

Nil	Non-locking push type
D	Push-turn locking slotted type
E	Push-turn locking lever type

• Light/surge voltage suppressor

Electrical entry for G, H, L, M, W

Nil	Without light/surge voltage suppressor
S	With surge voltage suppressor
Z	With light/surge voltage suppressor
R	With surge voltage suppressor (Non-polar type)
U	With light/surge voltage suppressor (Non-polar type)

* For AC voltage valves, there is no "S" option. It is already built-in to the rectifier circuit.
* For "R" and "U", only DC voltage is available.
* Power saving circuit is only available in the "Z" type.

Electrical entry for D

Nil	Without light/surge voltage suppressor
S	With surge voltage suppressor (Non-polar type)
Z	With light/surge voltage suppressor (Non-polar type)

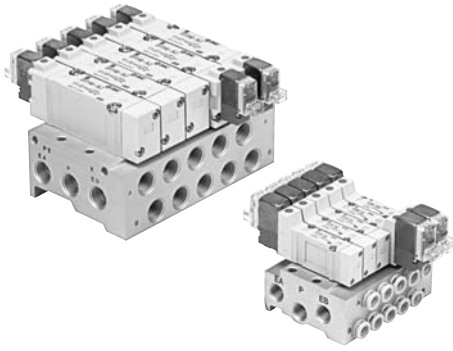
* "DOZ" is not available.
* For AC, there is no "S" option. It is already built-in to the rectifier circuit.

• Electrical entry

24, 12, 6, 5, 3 VDC / 100, 110, 200, 220 VAC			24, 12 VDC 100, 110 VAC 200, 220 VAC	24, 12 VDC 6, 5, 3 VDC
Grommet	L plug connector	M plug connector	DIN terminal	M8 connector
G: Lead wire length 300 mm H: Lead wire length 600 mm	L: With lead wire (length 300 mm) LN: Without lead wire LO: Without connector	M: With lead wire (length 300 mm) MN: Without lead wire MO: Without connector	D: With connector DO: Without connector	WO: Without connector cable W□: With connector cable ^{Note 1)}

* "LN", "MN" type: with 2 sockets.
* For DIN terminal of 10-SY3000 series, refer to page 488.
* DIN terminal type "Y" conforming to EN-175301-803C (former DIN43650C) is also available. For details, refer to page 482.
* For connector cable of M8 connector, refer to page 490.
Note 1) Please enter cable length in □ with reference to page 491.

Air cylinder
Rotary actuator
Air gripper
Directional control valve
Flow control equipment
Filter, Pressure control equipment
Fittings & Tubing
Air preparation equipment
Pressure switch
Clean gas filter



Manifold Specifications

Model	10-SS5Y3-41	10-SS5Y3-42	10-SS5Y5-41	10-SS5Y5-42	10-SS5Y7-42
Applicable valve	10-SY3□40		10-SY5□40		10-SY7□40
Manifold type	Single base / B mount				
P(SUP)/R(EXH)	Common SUP, Common EXH				
Stations	2 to 20 stations ^{Note 1)}				
A, B port piping specifications	Location	Base			
	Direction	Side			
Port size	P, EA, EB port	1/8		1/4	
	A, B port	M5 x 0.8 C4 (One-touch fitting for ø4) C6 (One-touch fitting for ø6)	1/8 C4 (One-touch fitting for ø4) C6 (One-touch fitting for ø6)	1/8 C6 (One-touch fitting for ø6) C8 (One-touch fitting for ø8)	1/4 C8 (One-touch fitting for ø8) C8 (One-touch fitting for ø8)
Manifold base weight W (g) n: Stations	W = 30n + 50	W = 37n + 63	W = 61n + 101	W = 79n + 127	W = 100n + 151

Note 1) For more than 10 stations (more than 5 stations in the case of 10-SS5Y7), supply pressure to P port on both sides and exhaust from EA and EB port on both sides.
 Note 2) Refer to "Manifold Option" on page 458.

Flow Characteristics

Model	Port size		Flow characteristics					
	1, 5, 3 (P, EA, EB)	4, 2 (A, B)	1→4/2(P→A/B)			4/2→5/3(A/B→EA/EB)		
			C[dm ³ /(s·bar)]	b	Cv	C[dm ³ /(s·bar)]	b	Cv
10-SS5Y3-41	1/8	C6	0.75	0.19	0.18	0.81	0.23	0.20
10-SS5Y3-42	1/8	C6	0.75	0.20	0.18	0.82	0.20	0.20
10-SS5Y5-41	1/4	C8	1.8	0.23	0.44	1.9	0.16	0.45
10-SS5Y5-42	1/4	C8	1.9	0.20	0.46	1.9	0.12	0.43
10-SS5Y7-42	1/4	C10	3.0	0.25	0.75	3.0	0.12	0.66

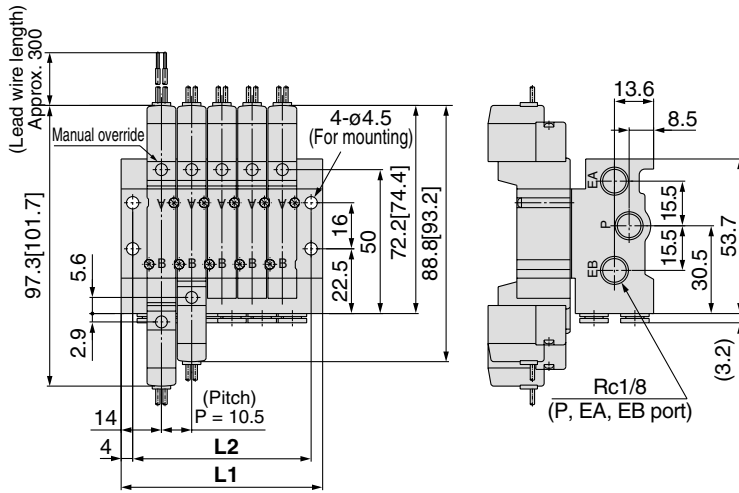
Note) The value is for manifold base with 5 stations and individually operated 2 position type.

10-SY3000: 10-SS5Y3-41- Stations -M5, ^{C4,N3} ^{C6,N7}

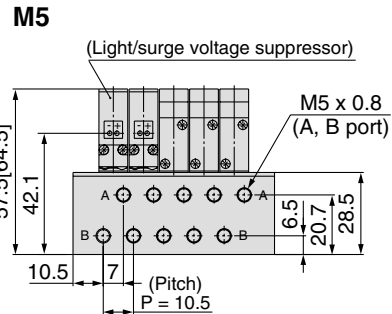
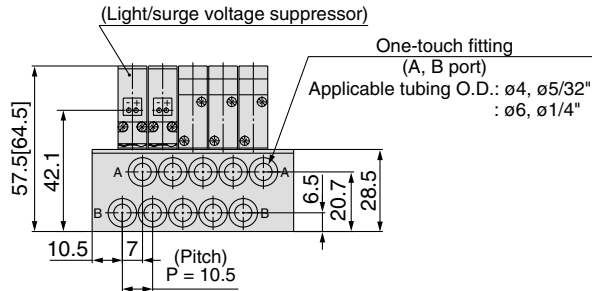


Note) [] : AC

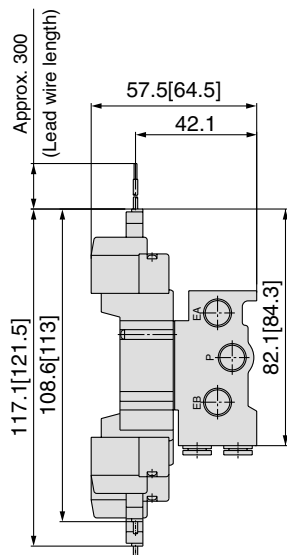
Grommet (G)



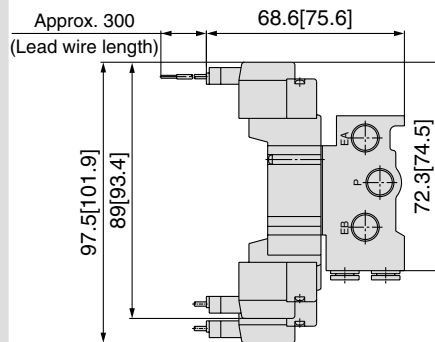
(Station 1)----- (Station n)



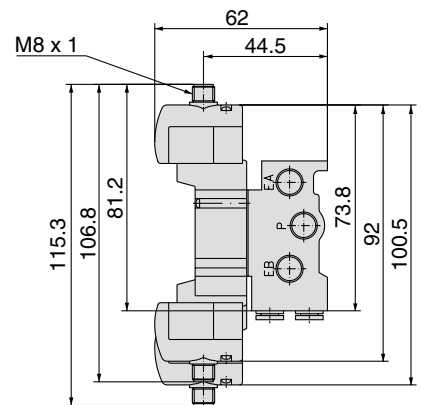
L plug connector (L)



M plug connector (M)



M8 connector (WO)



Note) Refer to page 490 for dimensions of connector types.

Stations n	2 stations	3	4	5	6	7	8	9	10	11	12	13	14	15	16	17	18	19	20 stations
L1	38.5	49	59.5	70	80.5	91	101.5	112	122.5	133	143.5	154	164.5	175	185.5	196	206.5	217	227.5
L2	30.5	41	51.5	62	72.5	83	93.5	104	114.5	125	135.5	146	156.5	167	177.5	188	198.5	209	219.5

Air cylinder

Rotary actuator

Air gripper

Directional control valve

Flow control equipment

Filter, Pressure control equipment

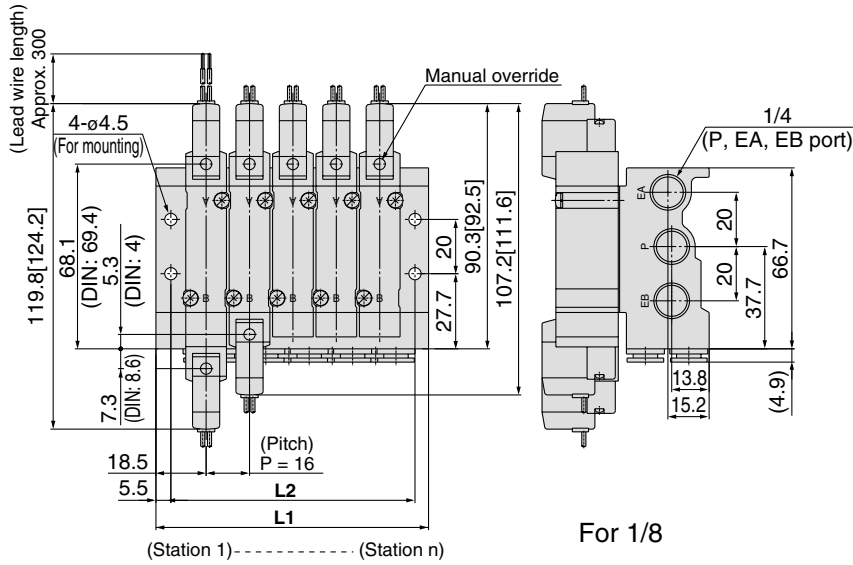
Fittings & Tubing

Air preparation equipment

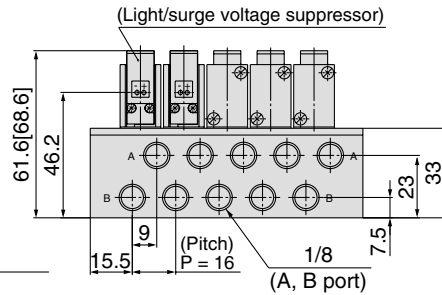
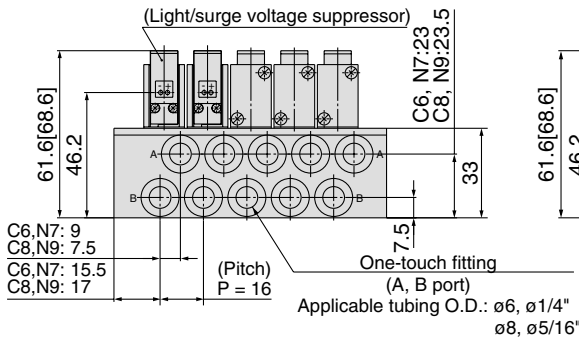
Pressure switch

Clean gas filter

Grommet (G)



For 1/8

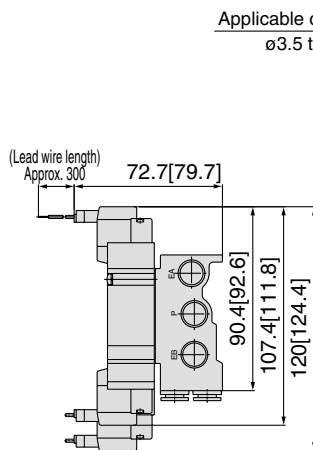
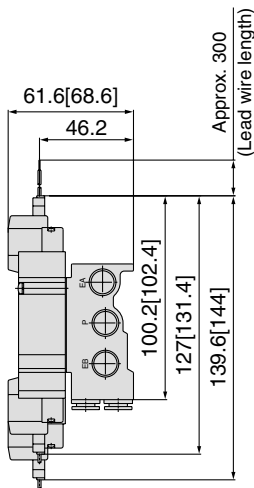


L plug connector (L)

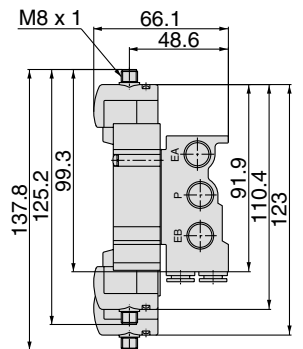
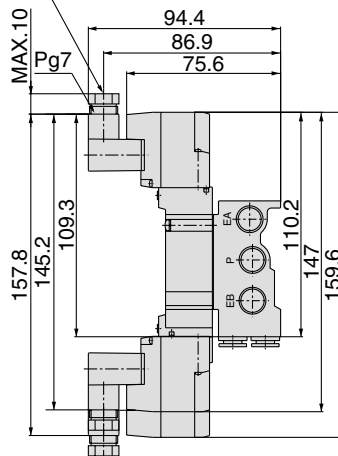
M plug connector (M)

DIN terminal (D)

M8 connector (WO)



Applicable cable O.D.
ø3.5 to ø7



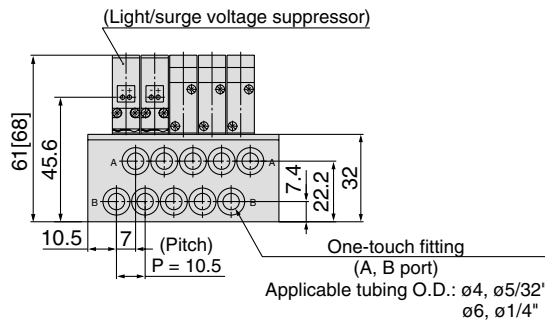
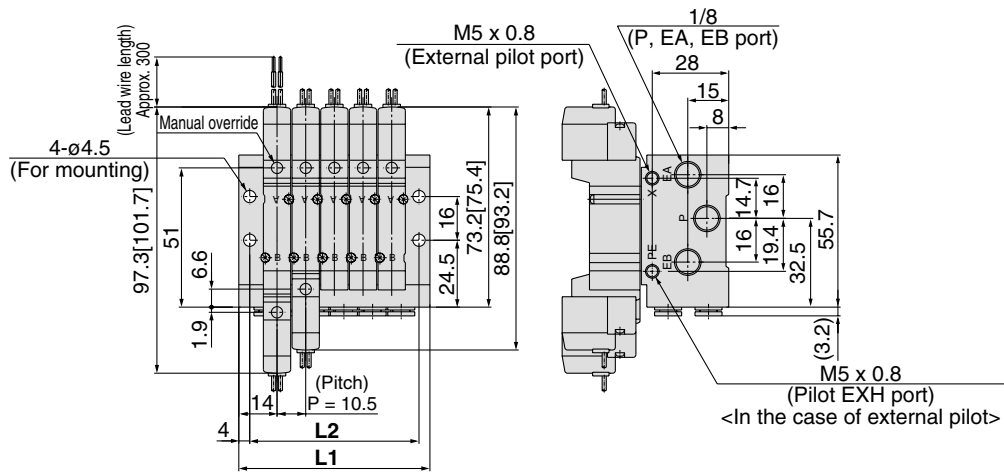
Note) Refer to page 490 for dimensions of connector types.

Stations n	2 stations	3	4	5	6	7	8	9	10	11	12	13	14	15	16	17	18	19	20 stations
L1	52.5	68.5	84.5	100.5	116.5	132.5	148.5	164.5	180.5	196.5	212.5	228.5	244.5	260.5	276.5	292.5	308.5	324.5	340.5
L2	42	58	74	90	106	122	138	154	170	186	202	218	234	250	266	282	298	314	330

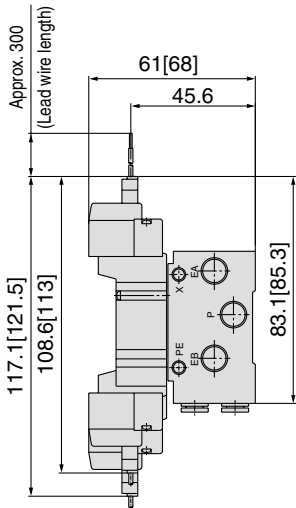
10-SY3000:10-SS5Y3-42- Stations - C4,N3 C6,N7

Note) [] : AC

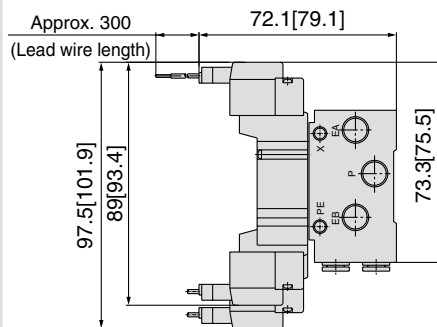
Grommet (G)



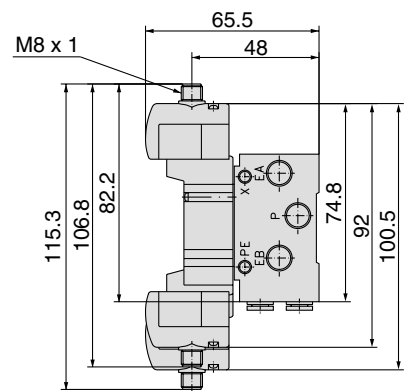
L plug connector (L)



M plug connector (M)



M8 connector (WO)



Note) Refer to page 490 for dimensions of connector types.

Stations n	2 stations	3	4	5	6	7	8	9	10	11	12	13	14	15	16	17	18	19	20 stations
L1	38.5	49	59.5	70	80.5	91	101.5	112	122.5	133	143.5	154	164.5	175	185.5	196	206.5	217	227.5
L2	30.5	41	51.5	62	72.5	83	93.5	104	114.5	125	135.5	146	156.5	167	177.5	188	198.5	209	219.5

Air cylinder

Rotary actuator

Air gripper

Directional control valve

Flow control equipment

Filter, Pressure control equipment

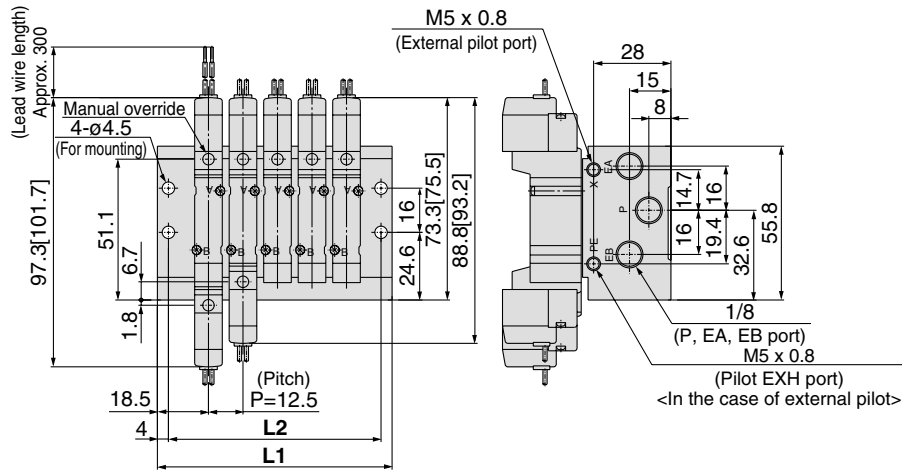
Fittings & Tubing

Air preparation equipment

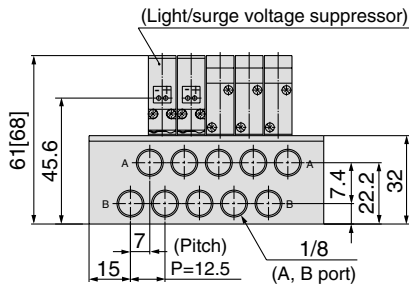
Pressure switch

Clean gas filter

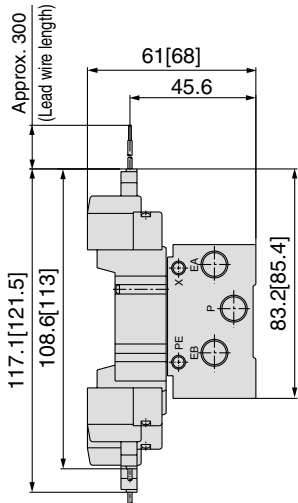
Grommet (G)



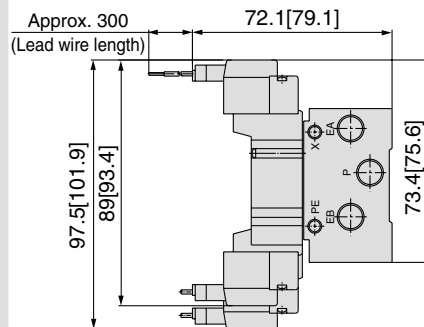
(Station 1) ----- (Station n)



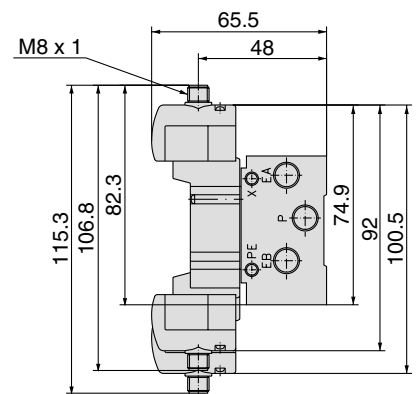
L plug connector (L)



M plug connector (M)



M8 connector (WO)



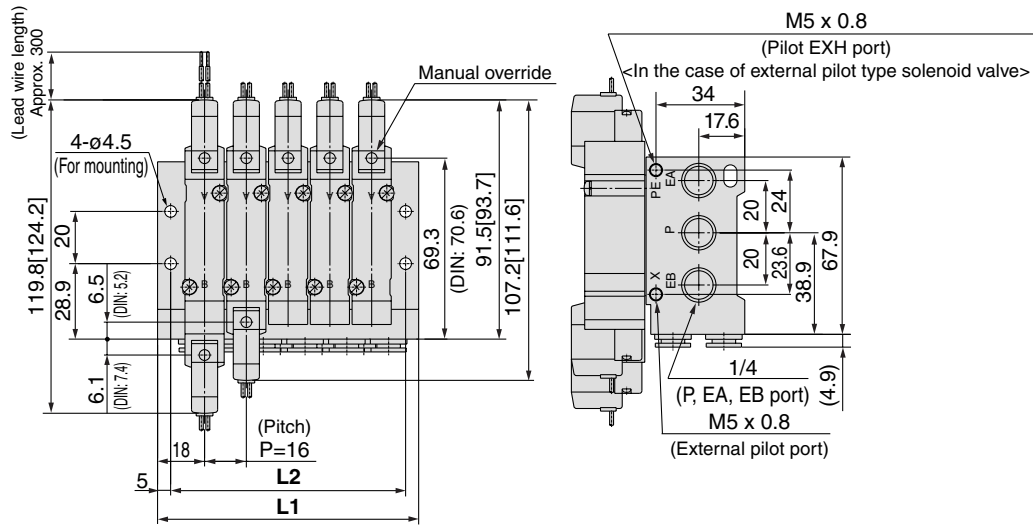
Note) Refer to page 490 for dimensions of connector types.

Stations n	2 stations	3	4	5	6	7	8	9	10	11	12	13	14	15	16	17	18	19	20 stations
L1	47.5	60	72.5	85	97.5	110	122.5	135	147.5	160	172.5	185	197.5	210	222.5	235	247.5	260	272.5
L2	39.5	52	64.5	77	89.5	102	114.5	127	139.5	152	164.5	177	189.5	202	214.5	227	239.5	252	264.5

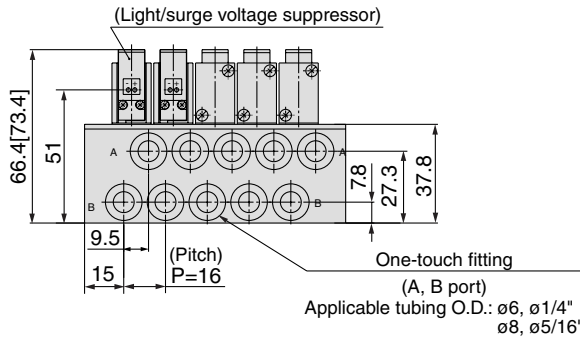
10-SY5000: 10-SS5Y5-42- Stations - C4,N3 C6,N7

Note) []: AC

Grommet (G)



(Station 1) ----- (Station n)

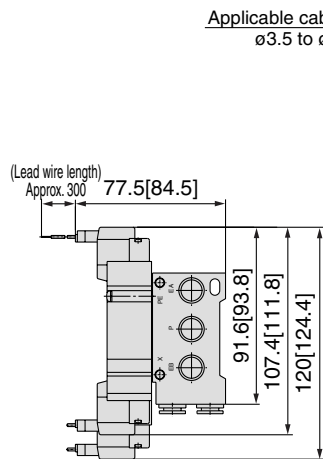
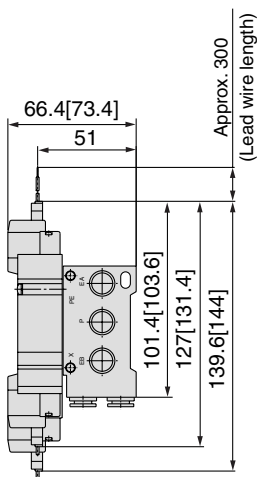


L plug connector (L)

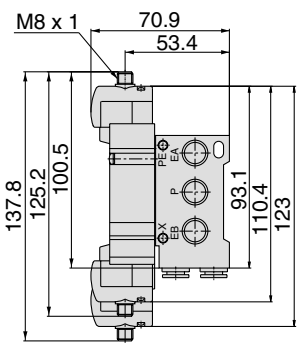
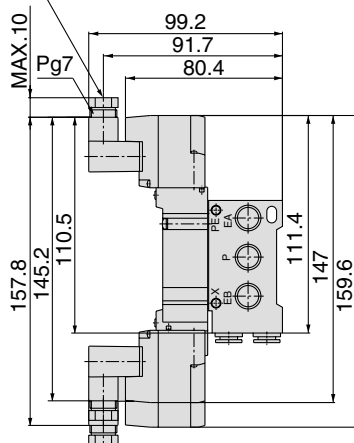
M plug connector (M)

DIN terminal (D)

M8 connector (WO)



Applicable cable O.D.
ø3.5 to ø7



Note) Refer to page 490 for dimensions of connector types.

Stations n	2 stations	3	4	5	6	7	8	9	10	11	12	13	14	15	16	17	18	19	20 stations
L1	52	68	84	100	116	132	148	164	180	196	212	228	244	260	276	292	308	324	340
L2	42	58	74	90	106	122	138	154	170	186	202	218	234	250	266	282	298	314	330

Air cylinder

Rotary actuator

Air gripper

Directional control valve

Flow control equipment

Filter, Pressure control equipment

Fittings & Tubing

Air preparation equipment

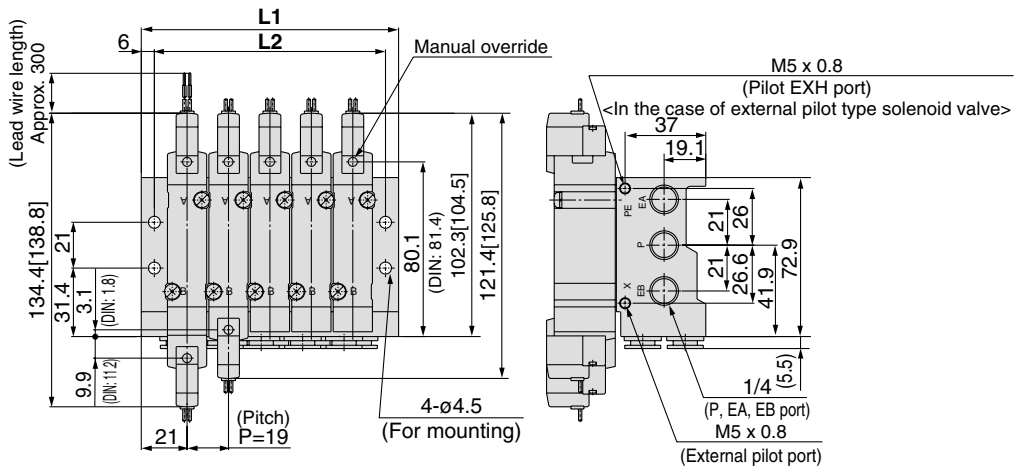
Pressure switch

Clean gas filter

10-SY7000: 10-SS5Y7-42- Stations -02, C10, N11

Note) []: AC

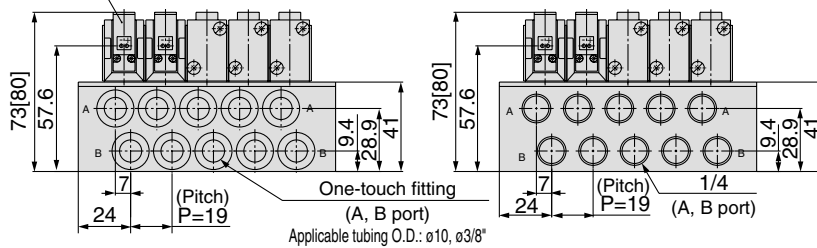
Grommet (G)



(Station 1)----- (Station n)

(Light/surge voltage suppressor)

For 1/4

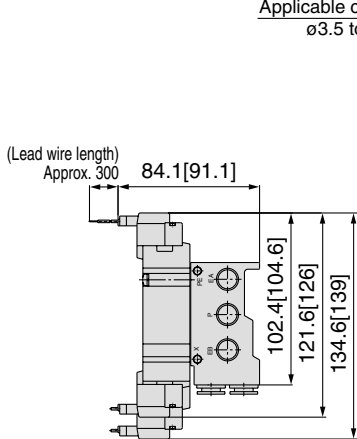
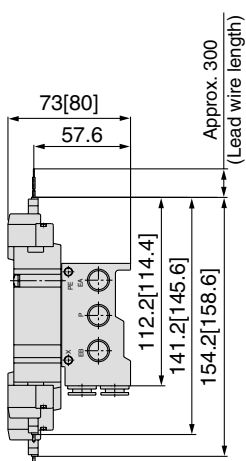


L plug connector (L)

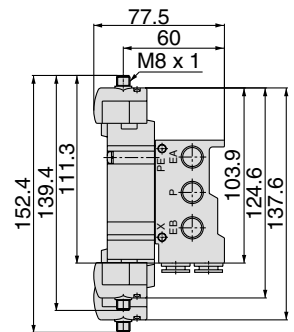
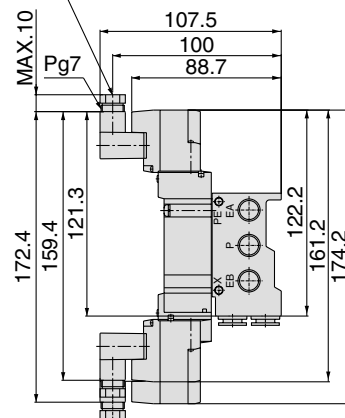
M plug connector (M)

DIN terminal (D)

M8 connector (WO)



Applicable cable O.D.
ø3.5 to ø7



Note) Refer to page 490 for dimensions of connector types.

Stations n	2 stations	3	4	5	6	7	8	9	10	11	12	13	14	15	16	17	18	19	20 stations
L1	61	80	99	118	137	156	175	194	213	232	251	270	289	308	327	346	365	384	403
L2	49	68	87	106	125	144	163	182	201	220	239	258	277	296	315	334	353	372	391

Air cylinder

Rotary actuator

Air gripper

Directional control valve

Flow control equipment

Filter, Pressure control equipment

Fittings & Tubing

Air preparation equipment

Pressure switch

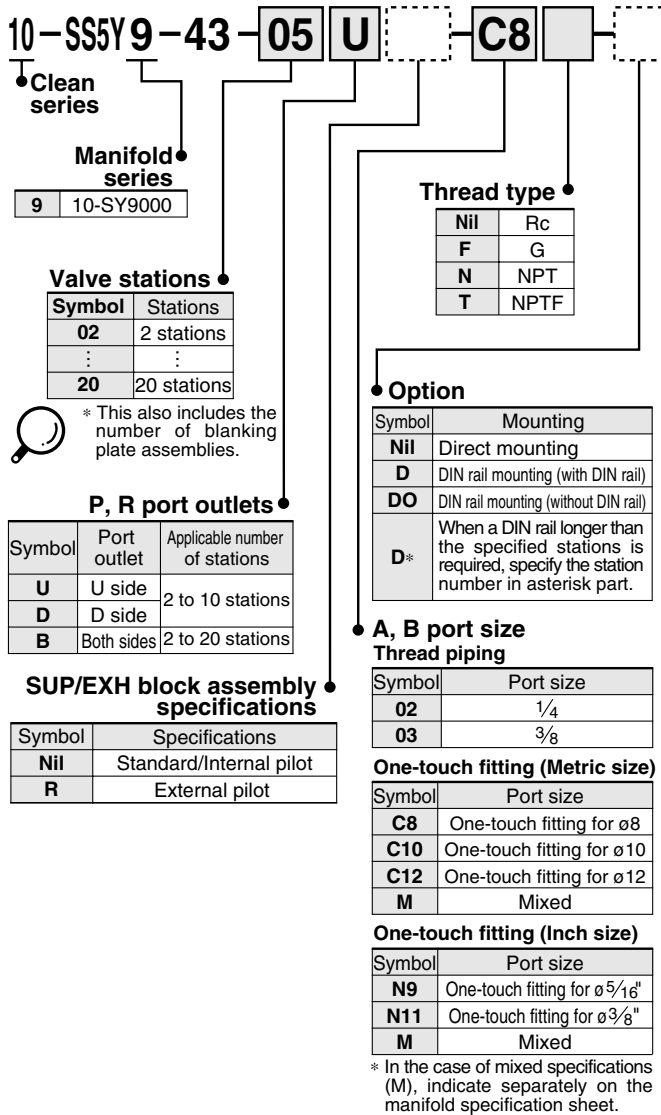
Clean gas filter

Series 10-SY9000

Type 43

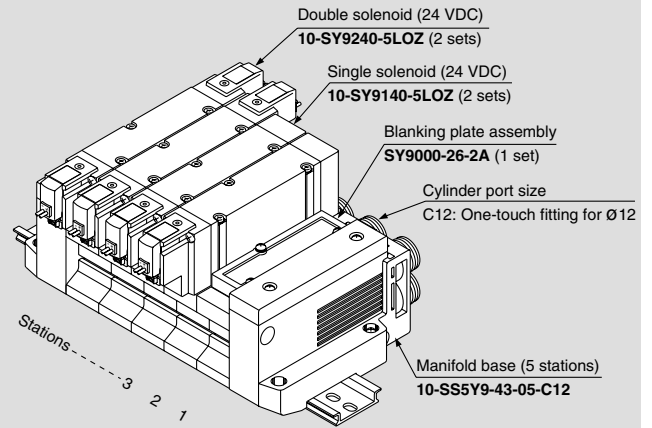
Base mounted manifold
Stacking type / Individual wiring

How to Order Manifold



How to Order Manifold Assembly (Example)

Ordering example



10-SS5Y9-43-05B-C12.....1 set (Type 43, 5 station manifold base part no.)
 * SY9000-26-2A1 set (Blanking plate assembly part no.)
 * 10-SY9140-5LOZ.....2 sets (Single solenoid part no.)
 * 10-SY9240-5LOZ.....2 sets (Double solenoid part no.)

The asterisk denotes the symbol for assembly. Prefix it to the part nos. of the solenoid valve, etc.

Add the valve and option part numbers under the manifold base part number. In the case of complex arrangement, specify them on the manifold specification sheet.

How to Order Valves

10 — SY 9 2 40 [] [] — 5 L [] []

• Clean series

Series

9	10-SY9000
---	-----------

Type of actuation

1	2 position single
2	2 position double
3	3 position closed center
4	3 position exhaust center
5	3 position pressure center

Pilot type

Nil	Internal pilot
R	External pilot

Coil specifications

Nil	Standard
T	With power saving circuit <24, 12 VDC only>

* Power saving circuit is not available in the case of "D", "DO" or "W□" type.

Rated voltage

For DC

5	24 VDC
6	12 VDC
V	6 VDC
S	5 VDC
R	3 VDC

For AC (50/60Hz)

1	100 VAC
2	200 VAC
3	110 VAC [115 VAC]
4	220 VAC [230 VAC]

* DC specifications of type "D" and "DO" is only available with 12 and 24 VDC.
* For type "W□", only DC voltage is available.

• Manual override

Nil	Non-locking push type
D	Push-turn locking slotted type
E	Push-turn locking lever type

• Light/surge voltage suppressor

Electrical entry for G, H, L, M, W

Nil	Without light/surge voltage suppressor
S	With surge voltage suppressor
Z	With light/surge voltage suppressor
R	With surge voltage suppressor (Non-polar type)
U	With light/surge voltage suppressor (Non-polar type)

* For AC voltage valves, there is no "S" option. It is already built-in to the rectifier circuit.
* For "R" and "U", only DC voltage is available.
* Power saving circuit is only available in the "Z" type.

Electrical entry for D

Nil	Without light/surge voltage suppressor
S	With surge voltage suppressor (Non-polar type)
Z	With light/surge voltage suppressor (Non-polar type)

* "DOZ" is not available.
* For AC voltage valves, there is no "S" option. It is already built-in to the rectifier circuit.

• Electrical entry

24, 12, 6, 5, 3 VDC / 100, 110, 200, 220 VAC		24, 12 VDC 100, 110 VAC 200, 220 VAC	24, 12 VDC 6, 5, 3 VDC
Grommet	L plug connector	M plug connector	DIN terminal
G: Lead wire length 300 mm	L: With lead wire (length 300 mm)	M: With lead wire (length 300 mm)	D: With connector
H: Lead wire length 600 mm	LN: Without lead wire LO: Without connector	MN: Without lead wire MO: Without connector	DO: Without connector WO: Without connector cable W□: With connector cable ^{Note 1)}

* "LN", "MN" type: with 2 sockets.
* DIN terminal type "Y" conforming to EN-175301-803C (former DIN43650C) is also available. For details, refer to page 482.
* For connector cable of M8 connector, refer to page 490.
Note 1) Be sure to enter the symbol of cable length with reference to page 491.

Air cylinder

Rotary actuator

Air gripper

Directional control valve

Flow control equipment

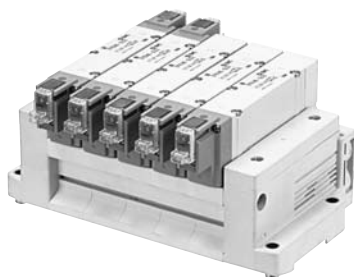
Filter, Pressure control equipment

Fittings & Tubing

Air preparation equipment


Pressure switch

Clean gas filter




Manifold Specifications

Model		10-SS5Y9-43
Applicable valve		10-SY9□40
Manifold type		Stacking type
P(SUP)/R(EXH)		Common SUP, Common EXH
Valve stations		2 to 20 stations ^{Note 1)}
A, B port piping specifications	Location	Base
	Direction	Side
Port size	P, EA, EB port	C12 (One-touch fitting for ø12)
	A, B port	$\frac{1}{4}$ $\frac{3}{8}$ C8 (One-touch fitting for ø8) C10 (One-touch fitting for ø10) C12 (One-touch fitting for ø12)
Manifold base weight W (g) n: Stations		W = 107n + 330

 Note 1) For more than 10 stations, supply pressure to P port on both sides and exhaust from EA and EB port on both sides.
 Note 2) Refer to "Manifold Option" on page 458.

Flow Characteristics

Model	Port size		Flow characteristics					
	1, 5, 3 (P, EA, EB)	4, 2 (A, B)	1→4/2(P→A/B)			4/2→5/3(A/B→EA/EB)		
			C[dm ³ /(s·bar)]	b	Cv	C[dm ³ /(s·bar)]	b	Cv
10-SS5Y9-43	C12	C12	6.4	0.29	1.6	7.3	0.29	1.8

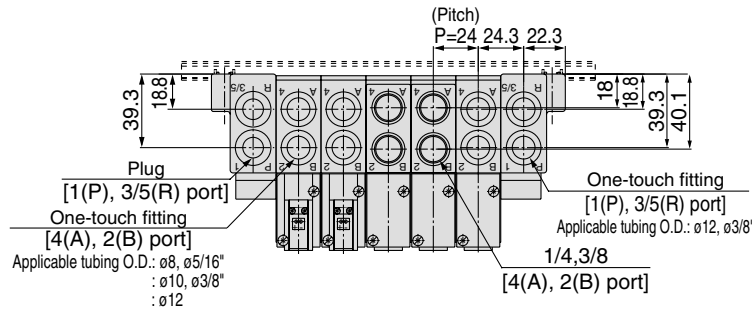
 Note) The value is for manifold base with 5 stations and individually operated 2 position type.

10-SY9000:10-SS5Y9-43- Stations D- 02, C8, N9
03, C10, N11
C12 (-D)

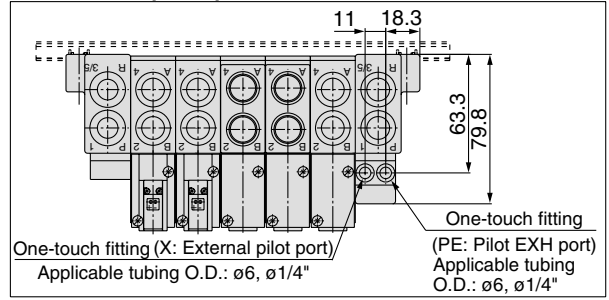
Note) [] : AC

Grommet (G)

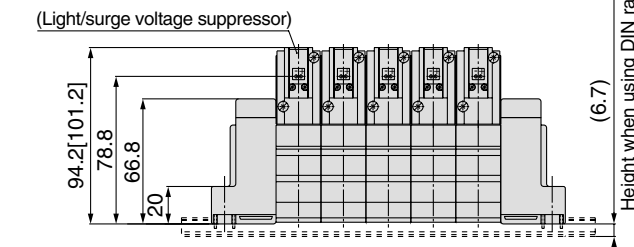
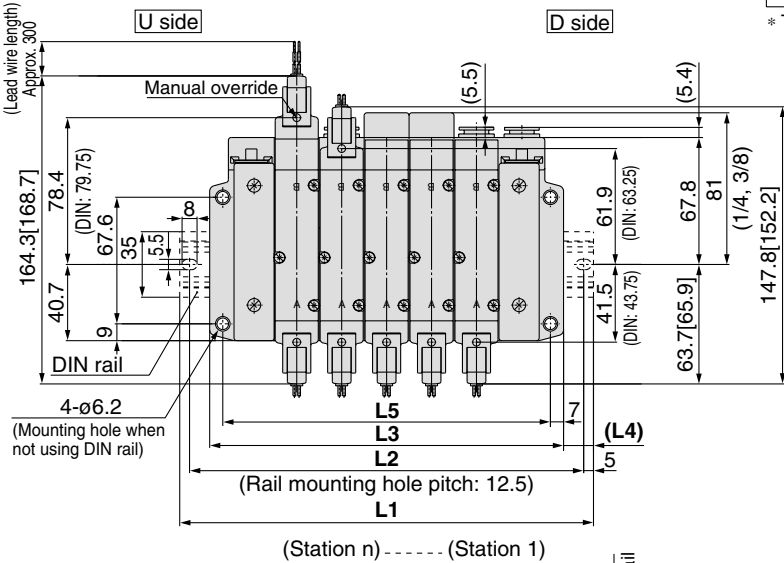
* When P, R port outlets are indicated on the D side, the P, R ports on the opposite side are plugged.



With external pilot specifications



* The external pilot's extracting position is in the D side.



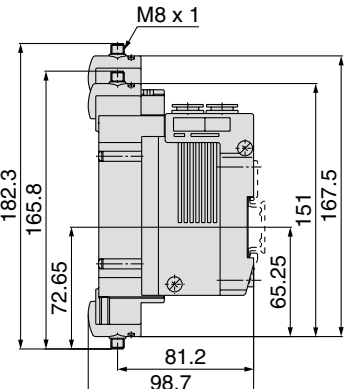
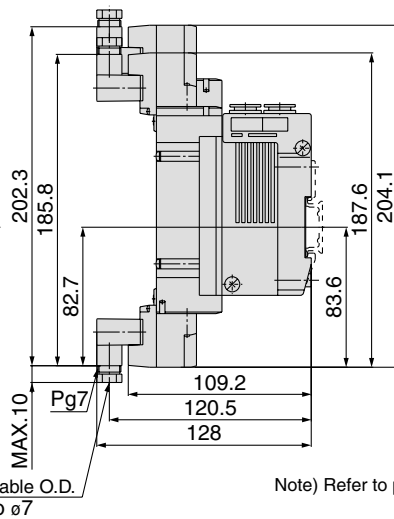
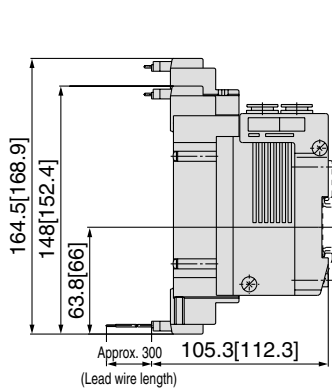
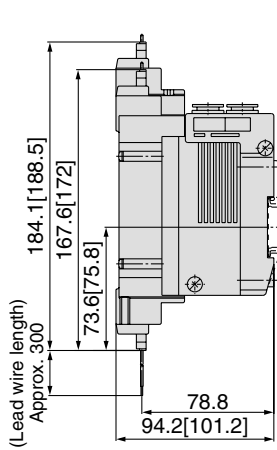
Stations n	2 stations	3	4	5	6	7	8	9	10 stations
L1	148	173	198	223	248	260.5	285.5	310.5	335.5
L2	137.5	162.5	187.5	212.5	237.5	250	275	300	325
L3	117	141	165	189	213	237	261	285	309
L4	15.5	16	16.5	17	17.5	12	12.5	13	13.5
L5	103	127	151	175	199	223	247	271	295

L plug connector (L)

M plug connector (M)

DIN terminal (D)

M8 connector (WO)



Applicable cable O.D. $\phi 3.5$ to $\phi 7$

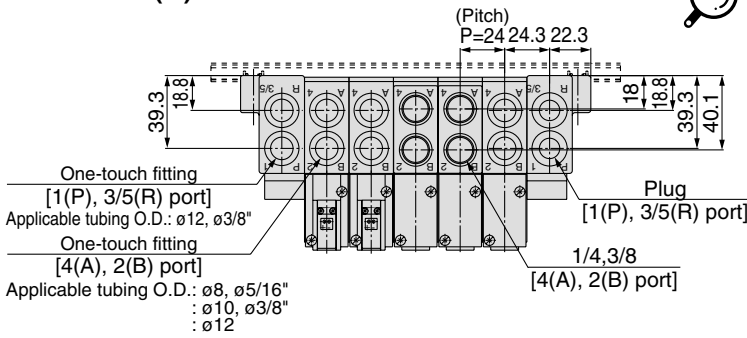
Note) Refer to page 490 for dimensions of connector types.

Air cylinder
Rotary actuator
Air gripper
Directional control valve
Flow control equipment
Filter, Pressure control equipment
Fittings & Tubing
Air preparation equipment
Pressure switch
Clean gas filter

10-SY9000: 10-SS5Y9-43- Stations U- 02, C9, N9 03, C10, N11 C12 (-D)

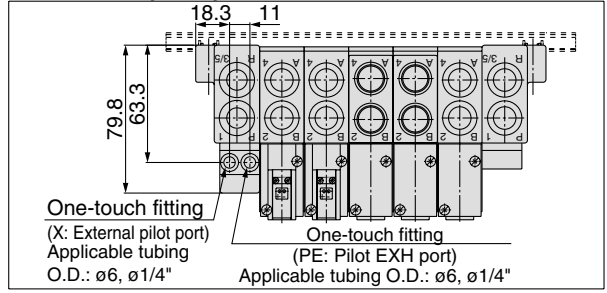
Note []: AC

Grommet (G)

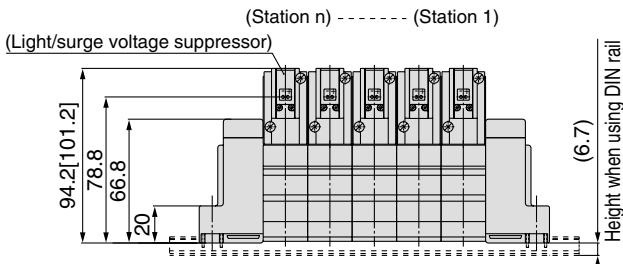
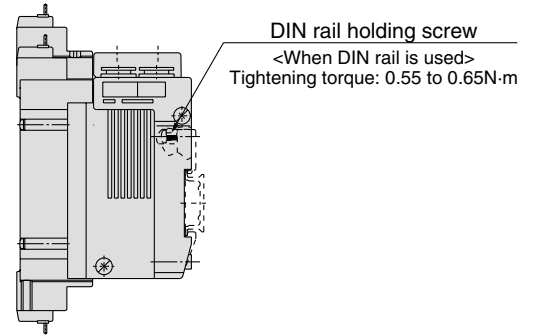
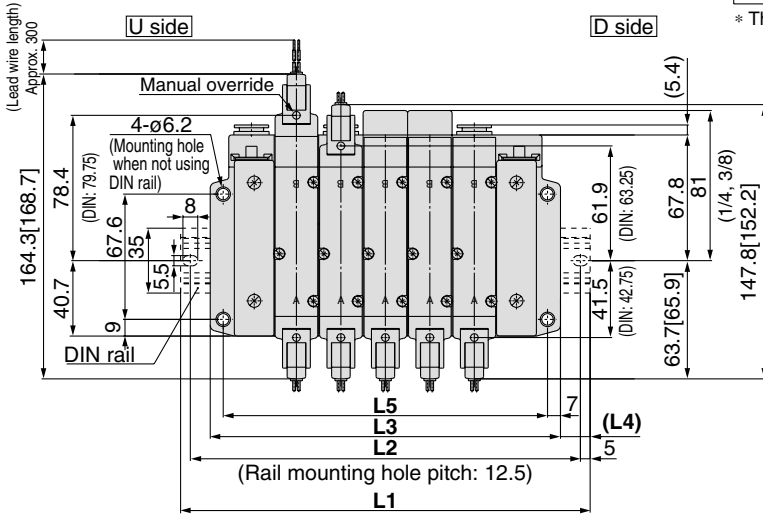


* When P, R port outlets are indicated on the U side, the P, R ports on the opposite side are plugged.

With external pilot specifications

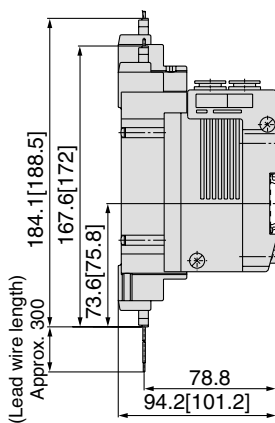


* The external pilot's extracting position is in the U side.

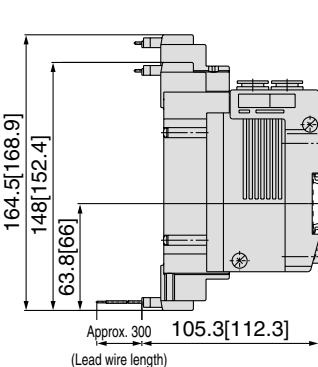


Stations n	2 stations	3	4	5	6	7	8	9	10 stations
L1	148	173	198	223	248	260.5	285.5	310.5	335.5
L2	137.5	162.5	187.5	212.5	237.5	250	275	300	325
L3	117	141	165	189	213	237	261	285	309
L4	15.5	16	16.5	17	17.5	12	12.5	13	13.5
L5	103	127	151	175	199	223	247	271	295

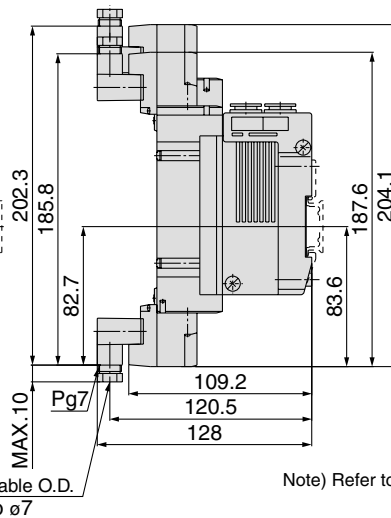
L plug connector (L)



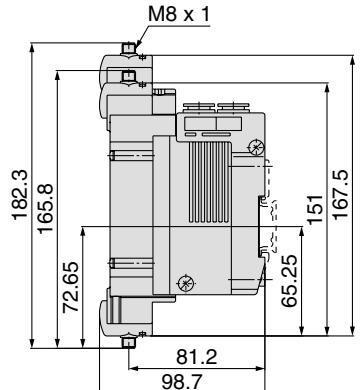
M plug connector (M)



DIN terminal (D)



M8 connector (WO)

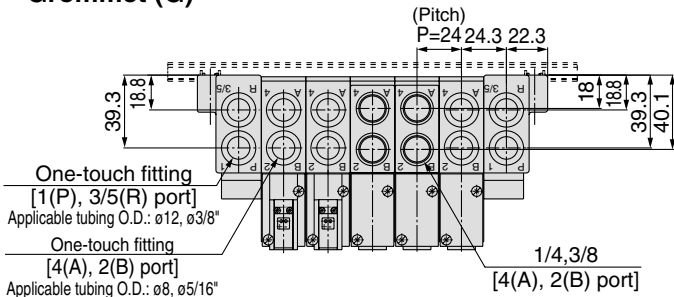


Note) Refer to page 490 for dimensions of connector types.

10-SY9000:10-SS5Y9-43- Stations B- 02, C8, N9, C10, N11 (-D) 03, C12

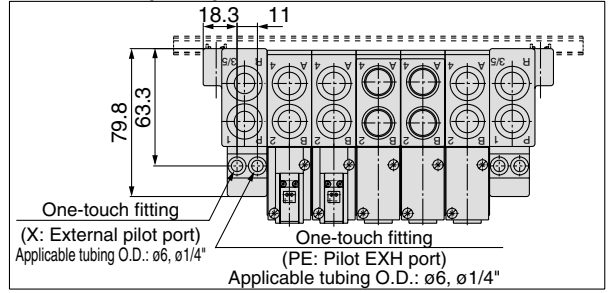
Note [] : AC

Grommet (G)

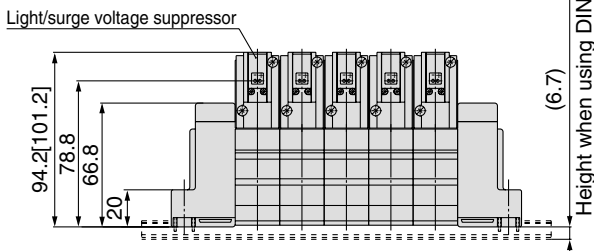
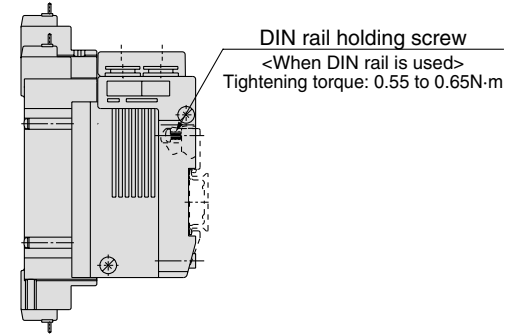
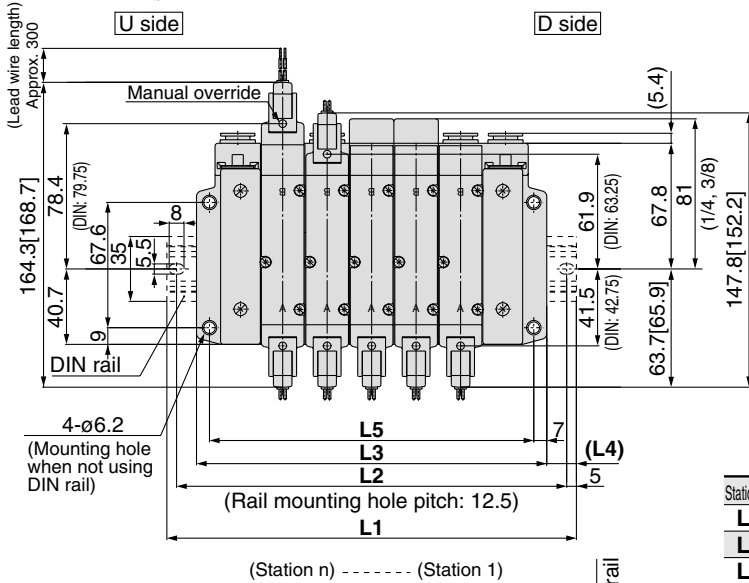


* When P, R port outlets are indicated on the B side, the P, R ports on the both sides are in the open state.

With external pilot specifications



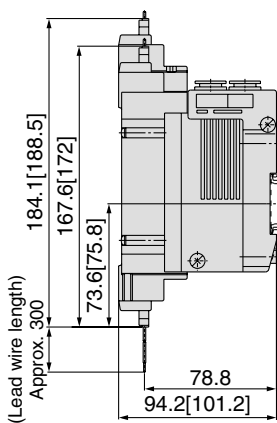
* The external pilot's extracting position is in the B side (both sides).



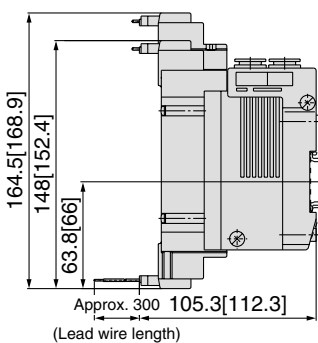
Stations n	2 stations	3	4	5	6	7	8	9	10 stations
L1	148	173	198	223	248	260.5	285.5	310.5	335.5
L2	137.5	162.5	187.5	212.5	237.5	250	275	300	325
L3	117	141	165	189	213	237	261	285	309
L4	15.5	16	16.5	17	17.5	12	12.5	13	13.5
L5	103	127	151	175	199	223	247	271	295

Stations n	11 stations	12	13	14	15	16	17	18	19	20 stations
L1	360.5	385.5	410.5	435.5	460.5	485.5	510.5	535.5	560.5	573
L2	350	375	400	425	450	475	500	525	550	562.5
L3	333	357	381	405	429	453	477	501	525	549
L4	14	14.5	15	15.5	16	16.5	17	17.5	18	12
L5	319	343	367	391	415	439	463	487	511	535

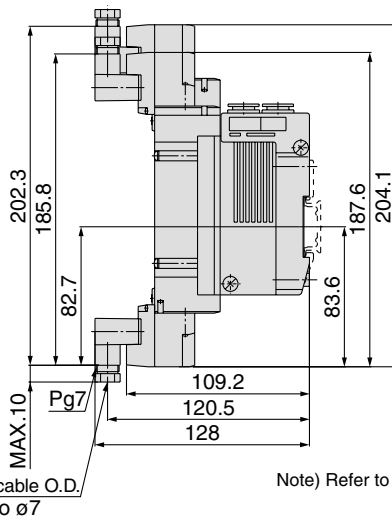
L plug connector (L)



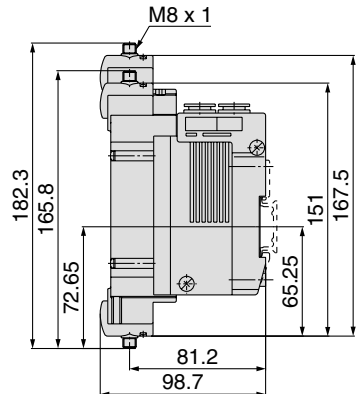
M plug connector (M)



DIN terminal (D)



M8 connector (WO)



Note) Refer to page 490 for dimensions of connector types.

Air cylinder
Rotary actuator
Air gripper
Directional control valve
Flow control equipment
Filter, Pressure control equipment
Fittings & Tubing
Air preparation equipment
Pressure switch
Clean gas filter

Series 10-SY3000/5000/7000

Type **41P**
Type **42P**

Base mounted manifold
Bar stock type / Flat ribbon cable

How to Order Manifold

Type 41P / Compact type

10—SS5Y 5—41P—05—C8

• Clean series

Manifold series	Part No.
3	10-SY3000
5	10-SY5000

Stations	Part No.
03	3 stations
⋮	⋮
12	12 stations

* 10-SS5Y3 has 4 to 12 stations.

• A, B port size
Thread piping

Symbol	Port size	Applicable series
M5	M5 x 0.8	10-SY3000
01	1/8	10-SY5000

• Thread type

Symbol	Thread type
Nil	Rc
F	G
N	NPT
T	NPTF

* Except M5

One-touch fitting (Metric size)

Symbol	Port size	Applicable series
C4	One-touch fitting for ø4	10-SY3000
C6	One-touch fitting for ø6	10-SY5000
C6	One-touch fitting for ø6	10-SY5000
C8	One-touch fitting for ø8	10-SY5000

One-touch fitting (Inch size)

Symbol	Port size	Applicable series
N3	One-touch fitting for ø 5/32"	10-SY3000
N7	One-touch fitting for ø 1/4"	10-SY3000
N7	One-touch fitting for ø 1/4"	10-SY5000
N9	One-touch fitting for ø 5/16"	10-SY5000

42P Type 42P / Common external pilot type

10—SS5Y 5—42P—05—C8

• Clean series

Manifold series	Part No.
3	10-SY3000
5	10-SY5000
7	10-SY7000

Stations	Part No.
03	3 stations
⋮	⋮
12	12 stations

* 4 to 12 stations in the case of 10-SS5Y3.

• A, B port size
Thread piping

Symbol	Port size	Applicable series
01	1/8	10-SY3000
02	1/4	10-SY5000
02	1/4	10-SY7000

• Thread type

Symbol	Thread type
Nil	Rc
F	G
N	NPT
T	NPTF

One-touch fitting (Metric size)

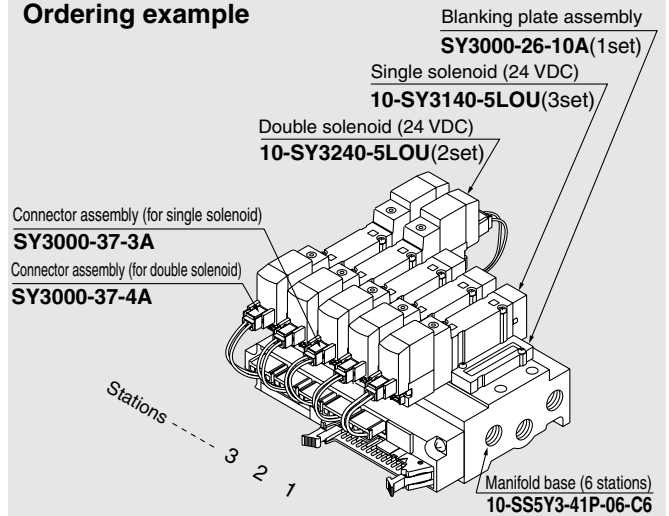
Symbol	Port size	Applicable series
C4	One-touch fitting for ø4	10-SY3000
C6	One-touch fitting for ø6	10-SY5000
C6	One-touch fitting for ø6	10-SY5000
C8	One-touch fitting for ø8	10-SY5000
C10	One-touch fitting for ø10	10-SY7000

One-touch fitting (Inch size)

Symbol	Port size	Applicable series
N3	One-touch fitting for ø 5/32"	10-SY3000
N7	One-touch fitting for ø 1/4"	10-SY3000
N7	One-touch fitting for ø 1/4"	10-SY5000
N9	One-touch fitting for ø 5/16"	10-SY5000
N11	One-touch fitting for ø 3/8"	10-SY7000

How to Order Manifold Assembly (Example)

Ordering example

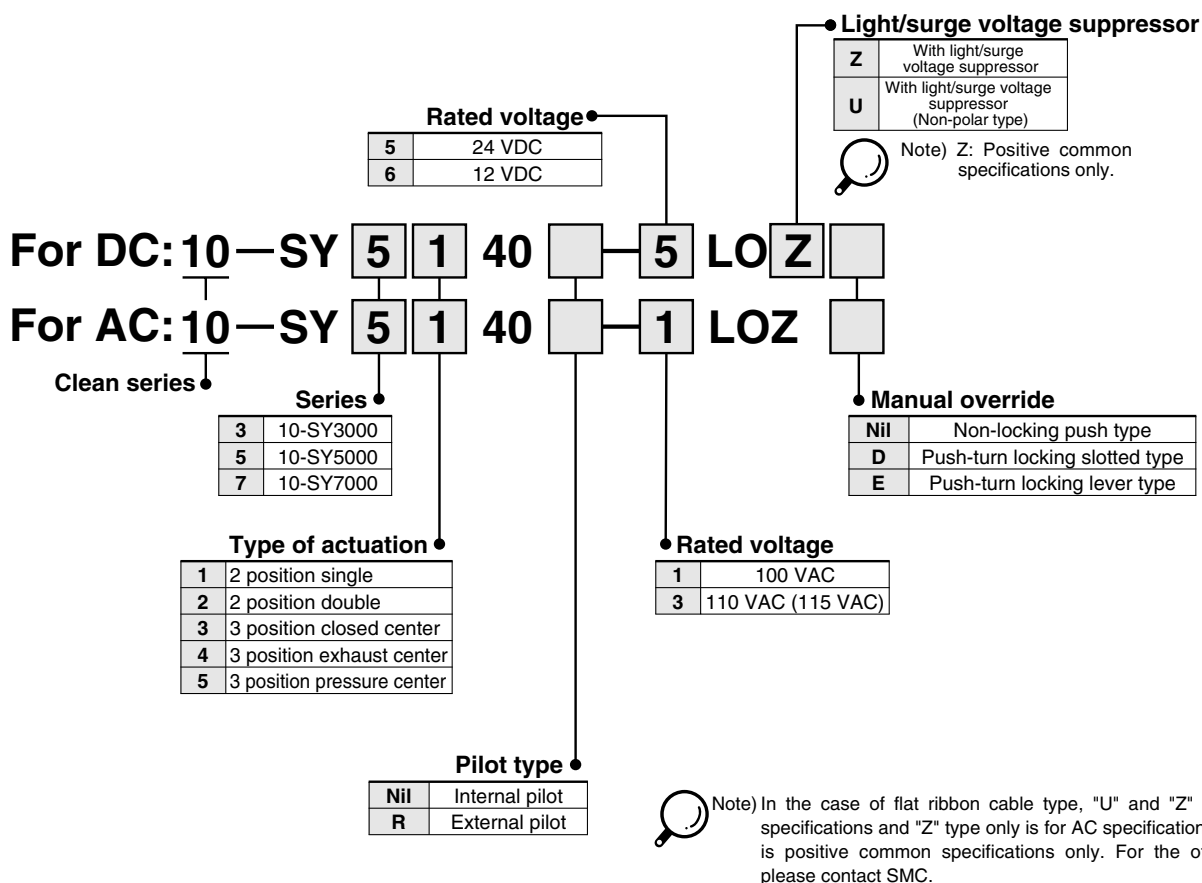


10-SS5Y3-41P-06-C6 --1 set (Type 41P, 6 station manifold base part no.)
* SY3000-26-10A1 set (Blanking plate assembly part No.)
* 10-SY3140-5LOU3 sets (Single solenoid part no.)
* 10-SY3240-5LOU2 sets (Double solenoid part no.)
* SY3000-37-3A3 sets (Connector assembly part no.)
* SY3000-37-4A2 sets (Connector assembly part No.)

→The asterisk denotes the symbol for assembly. Prefix it to the part nos. of the solenoid valve, etc.

Add the valve and option part number under the manifold base part no. In the case of complex arrangement, specify them on the manifold specification sheet.

How to Order Valves



How to Order Connector Assembly

For 12, 24 VDC

Specifications	For 10-SY3000	For 10-SY5000/7000
For single solenoid	SY3000-37-3A	SY5000-37-3A
Double solenoid 3 position	SY3000-37-4A	SY5000-37-4A
Single with spacer assembly	SY5000-37-3A	SY5000-37-5A
Double, 3 position with spacer assembly	SY3000-37-6A	SY5000-37-6A

For 100 VAC

Specifications	For 10-SY3000	For 10-SY5000/7000
For single solenoid	SY3000-37-32A	SY5000-37-15A
Double solenoid 3 position type	SY3000-37-33A	SY5000-37-16A
Single with spacer assembly	SY5000-37-15A	SY5000-37-17A
Double, 3 position with spacer assembly	SY3000-37-34A	SY5000-37-18A

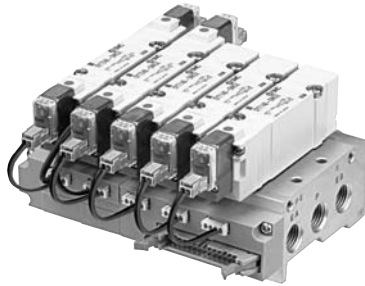
110 VAC (115 VAC)

Specifications	For 10-SY3000	For 10-SY5000/7000
For single solenoid	SY3000-37-35A	SY5000-37-19A
Double solenoid 3 position type	SY3000-37-36A	SY5000-37-20A
Single with spacer assembly	SY5000-37-19A	SY5000-37-21A
Double, 3 position with spacer assembly	SY3000-37-37A	SY5000-37-22A

Air cylinder
Rotary actuator
Air gripper
Directional control valve
Flow control equipment
Filter, Pressure control equipment
Fittings & Tubing
Air preparation equipment
Pressure switch
Clean gas filter

- Multiple valve wiring is simplified through the use of the flat cable connector
- Clean appearance

In the case of a flat ribbon cable type, each valve is wired on the print board of manifold base to allow the external wiring to be piped all together with 26 pins MIL connector.



Flat ribbon cable manifold specifications

Model	10-SS5Y3-41P	10-SS5Y3-42P	10-SS5Y5-41P	10-SS5Y5-42P	10-SS5Y7-42P
Applicable valve	10-SY3□40		10-SY5□40		10-SY7□40
Manifold type	Single base / B mount				
P(SUP) / R(EXH)	Common SUP, Common EXH				
Valve stations	4 to 12 stations ^{Note 1)}		3 to 12 stations ^{Note 1)}		
A, B port Piping specifications	Base				
Location	Side				
Direction	Side				
Port size	P, EA, EB port	1/8		1/4	
	A, B port	M5 x 0.8	1/8	1/8	1/4
Manifold base weight W (g) n: Stations	W = 39n + 83	W = 48n + 99	W = 67n + 118	W = 88n + 151	W = 109n + 174
	Applicable flat ribbon cable connector	Flat ribbon cable connector, Socket: 26 pins MIL type with strain relief, Conforming to MIL-C-83503			
Internal wiring	In common between +COM and -COM (Z type: +COM only)				
Rated voltage	12, 24 VDC 100, 110 VAC				

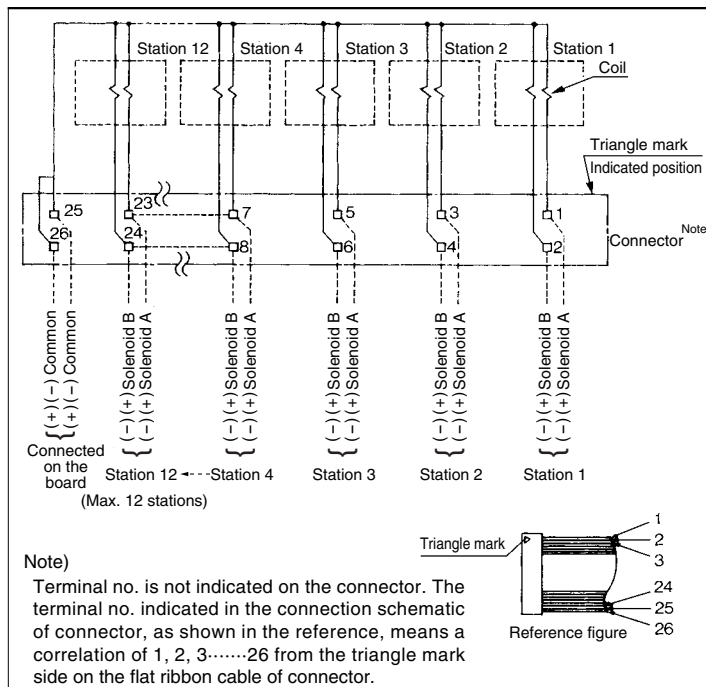
- Note 1) For more than 10 stations (more than 5 stations in the case of 10-SS5Y7), supply pressure to P port on both sides and exhaust from EA and EB port on both sides.
 Note 2) The withstand voltage specification for the wiring unit section is JIS C 0704, Grade 1 or its equivalent.
 Note 3) Refer to "Manifold Option" on page 458.

Flow Characteristics

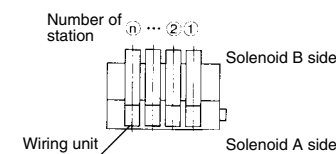
Model	Port size		Flow characteristics					
	1,5,3 (P,EA,EB)	4,2 (A,B)	1→4/2(P→A/B)			4/2→5/3(A/B→EA/EB)		
			C[dm³/(s·bar)]	b	Cv	C[dm³/(s·bar)]	b	Cv
10-SS5Y3-41P	1/8	C6	0.75	0.19	0.18	0.82	0.23	0.20
10-SS5Y3-42P	1/8	C6	0.75	0.20	0.18	0.82	0.20	0.20
10-SS5Y5-41P	1/4	C8	1.8	0.23	0.44	1.9	0.16	0.45
10-SS5Y5-42P	1/4	C8	1.9	0.20	0.46	1.9	0.12	0.43
10-SS5Y7-42P	1/4	C10	3.0	0.25	0.75	3.0	0.12	0.66

- Note) The value is for manifold base with 5 stations and individually operated 2 position type.

Internal wiring of manifold (Non-polar type)



- For more than 10 stations, both poles of the common should be wired.
- For single solenoid, connect to the solenoid A side.
- The maximum number of stations that can be accommodated is 12.
- For more stations, please contact SMC.



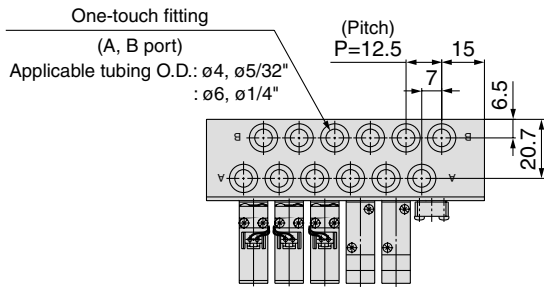
Caution

- For non-polar (U) valves, the electrical DC connections can be used with either positive and negative COM. For type (Z), only use with positive COM as the valve does not operate correctly when used with negative COM.

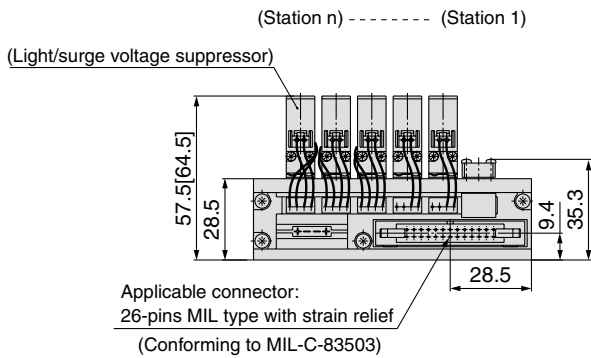
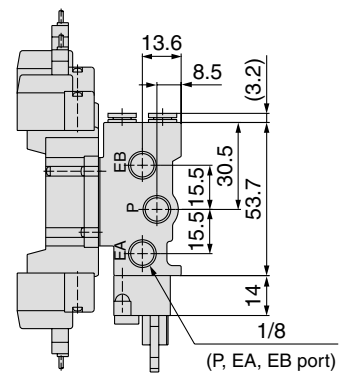
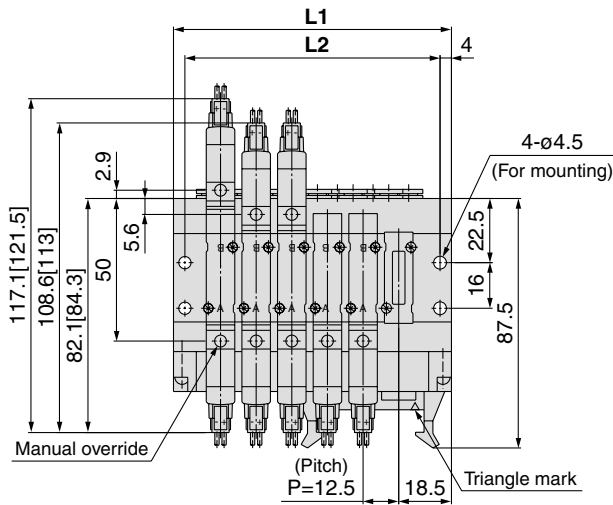
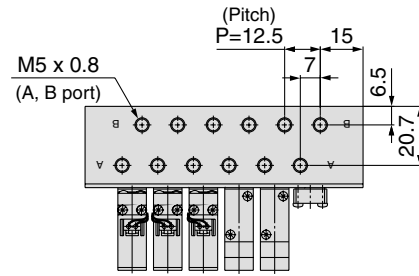
10-SY3000: 10-SS5Y3-41P-**Stations**-M5, C4,N3
C6,N7



Note []: AC



M5 x 0.8



Stations n	4	5	6	7	8	9	10	11	12
L1	72.5	85	97.5	110	122.5	135	147.5	160	172.5
L2	64.5	77	89.5	102	114.5	127	139.5	152	164.5

Air cylinder

Rotary actuator

Air gripper

Directional control valve

Flow control equipment

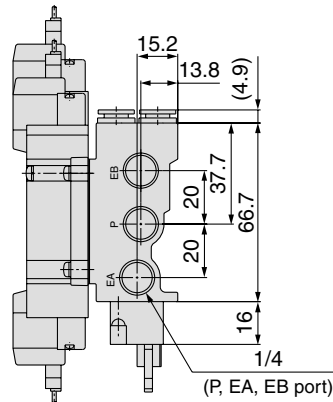
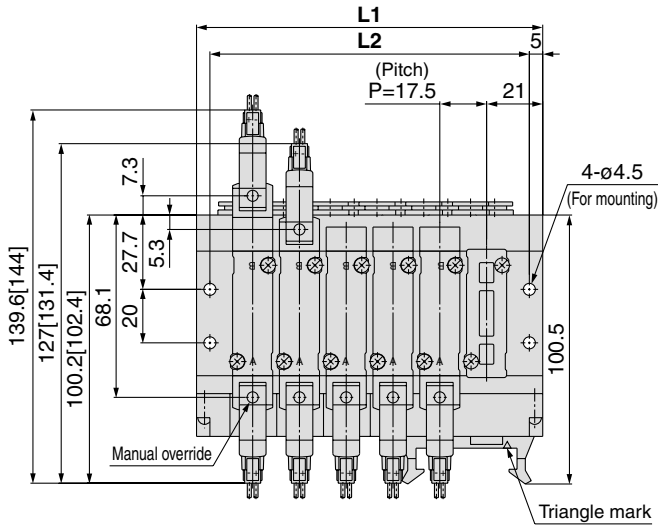
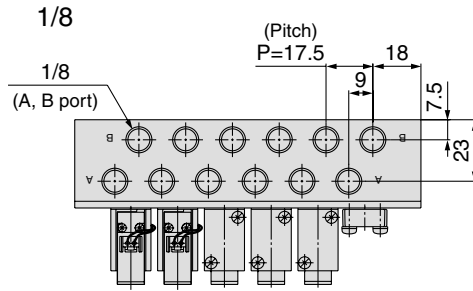
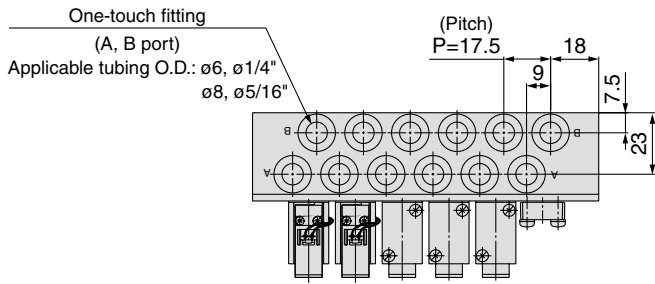
Filter, Pressure control equipment

Fittings & Tubing

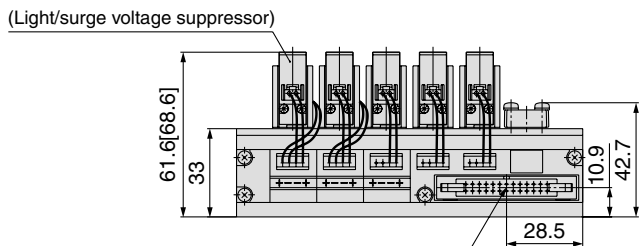
Air preparation equipment

Pressure switch

Clean gas filter




(Station n) ----- (Station 1)

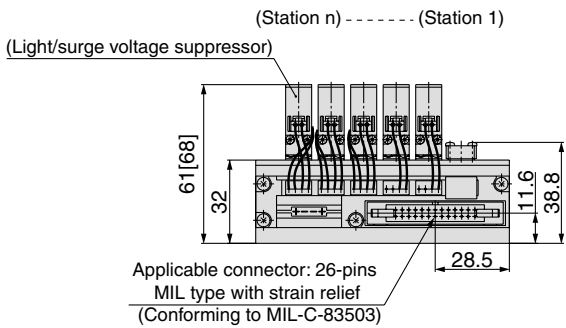
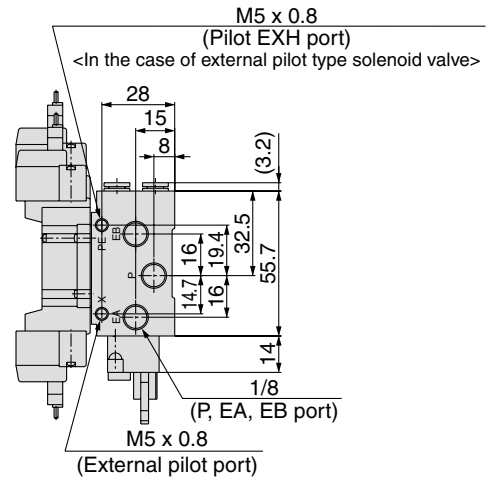
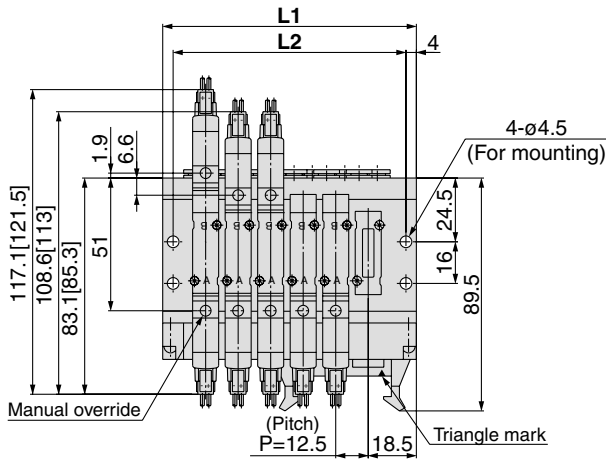
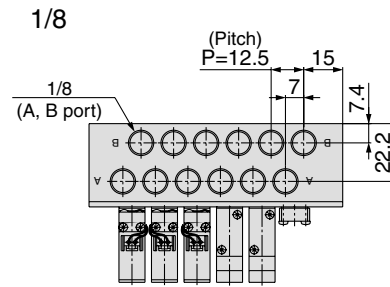
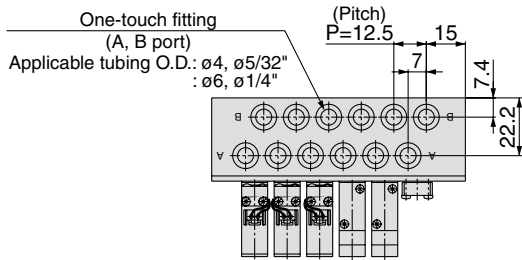


Applicable connector:
26-pins MIL type with strain relief
(Conforming to MIL-C-83503)

Stations n	3	4	5	6	7	8	9	10	11	12
L1	77	94.5	112	129.5	147	164.5	182	199.5	217	234.5
L2	67	84.5	102	119.5	137	154.5	172	189.5	207	224.5

10-SY3000: 10-SS5Y3-42P-**Stations**-01, C4,N3
C6,N7

 Note [] : AC



Stations n	4	5	6	7	8	9	10	11	12
L1	72.5	85	97.5	110	122.5	135	147.5	160	172.5
L2	64.5	77	89.5	102	114.5	127	139.5	152	164.5

Air cylinder

Rotary actuator

Air gripper

Directional control valve

Flow control equipment

Filter, Pressure control equipment

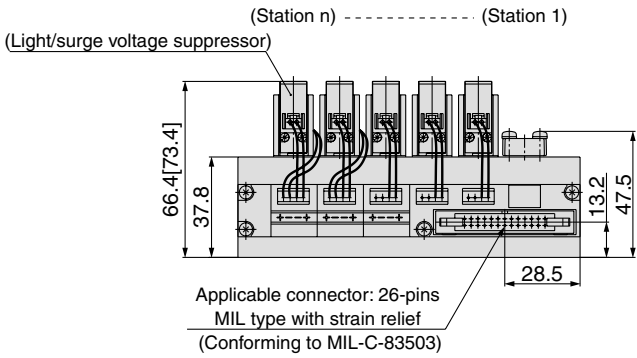
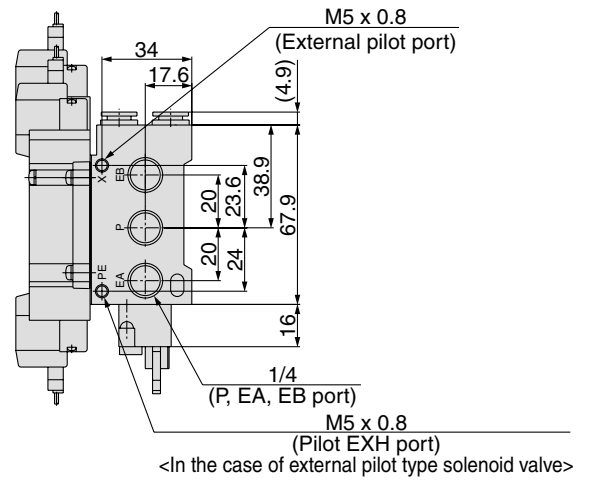
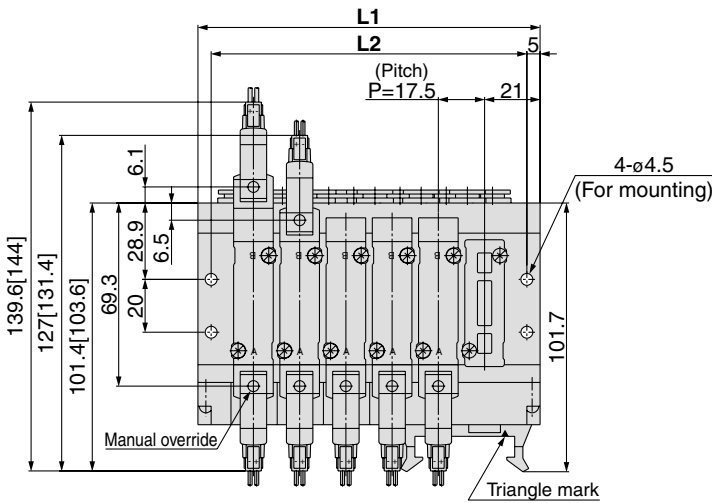
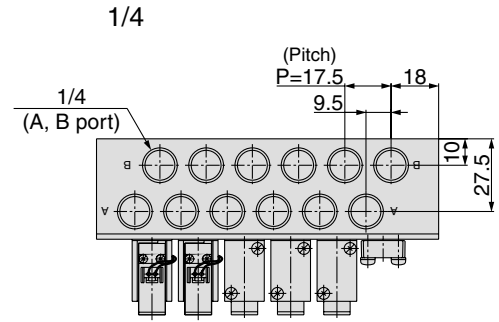
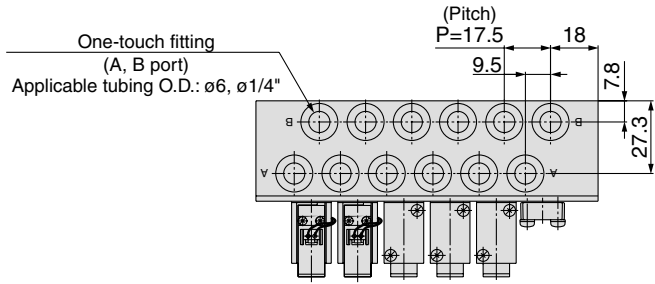
Fittings & Tubing

Air preparation equipment

Pressure switch

Clean gas filter

Grommet (G)

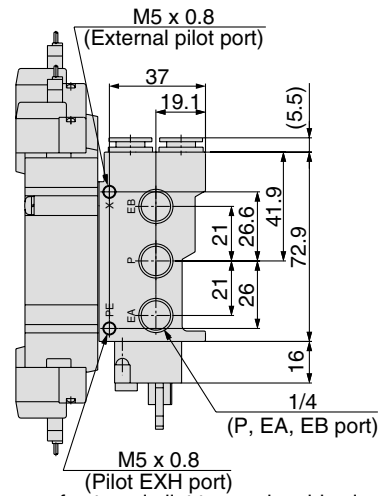
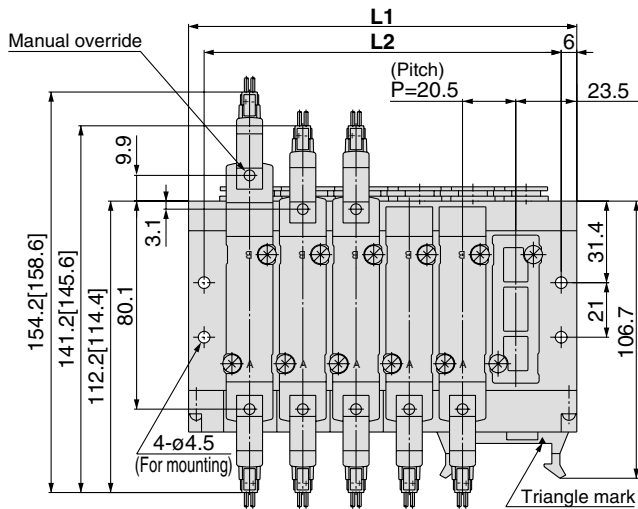
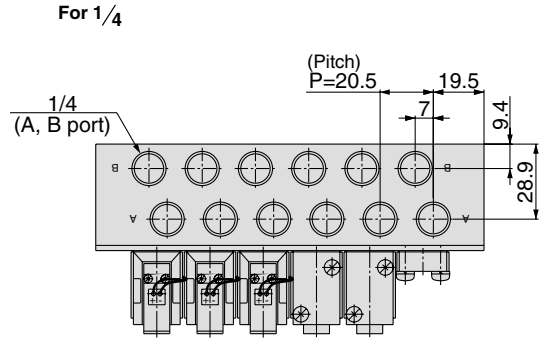
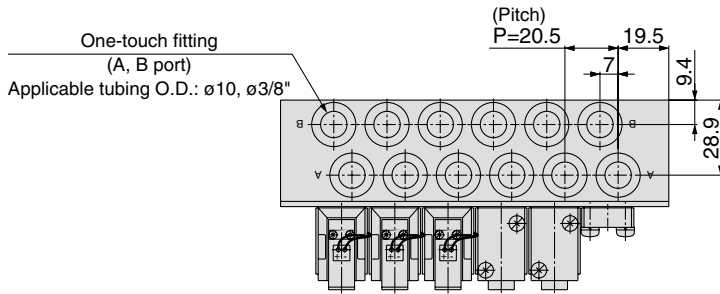


Station n	3	4	5	6	7	8	9	10	11	12
L1	77	94.5	112	129.5	147	164.5	182	199.5	217	234.5
L2	67	84.5	102	119.5	137	154.5	172	189.5	207	224.5

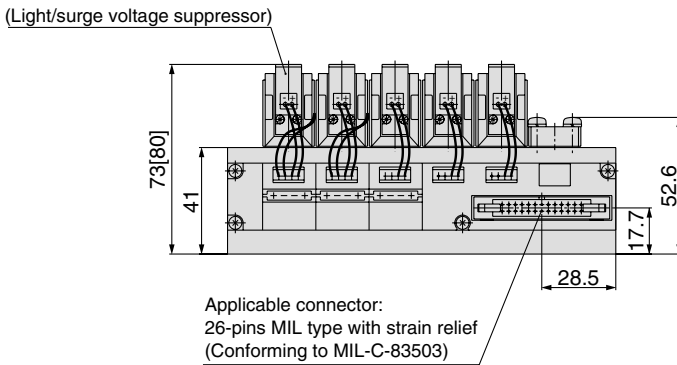
10-SY7000: 10-SS5Y7-42P-**Stations** -02, C10,N11

Note) [] : AC

Grommet (G)



<In the case of external pilot type solenoid valve>



Station n	3	4	5	6	7	8	9	10	11	12
L1	88	108.5	129	149.5	170	190.5	211	231.5	252	272.5
L2	76	96.5	117	137.5	158	178.5	199	219.5	240	260.5

Air cylinder

Rotary actuator

Air gripper

Directional control valve

Flow control equipment

Filter, Pressure control equipment

Fittings & Tubing

Air preparation equipment

Pressure switch

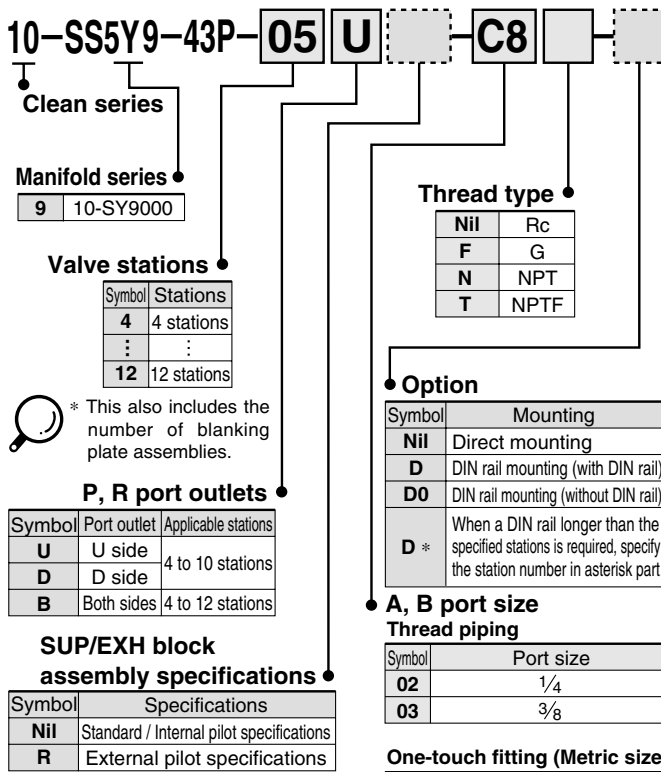
Clean gas filter

Series 10-SY9000

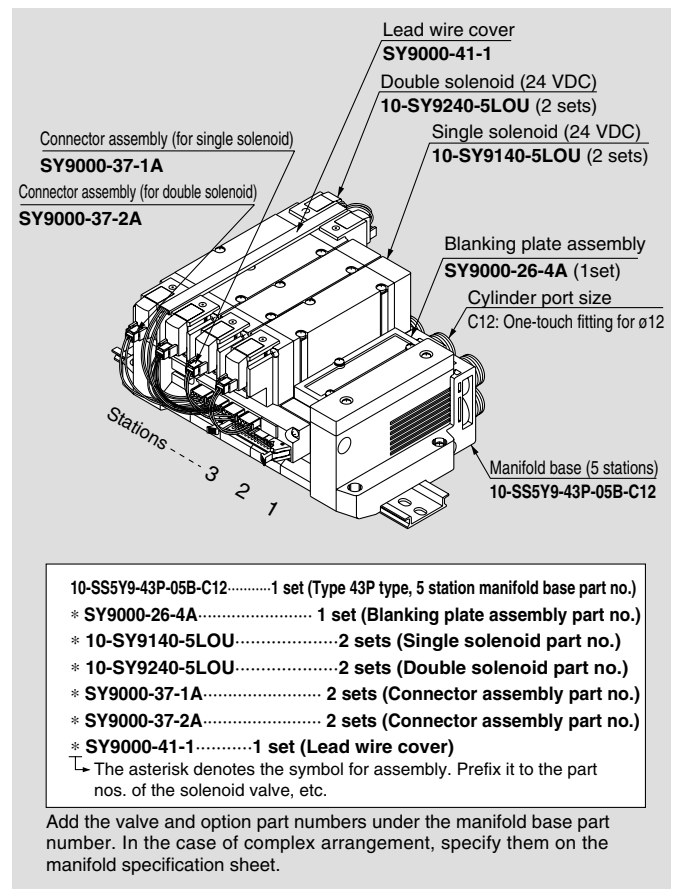
Type **43P**

Base mounted manifold
Stacking type / Flat ribbon cable

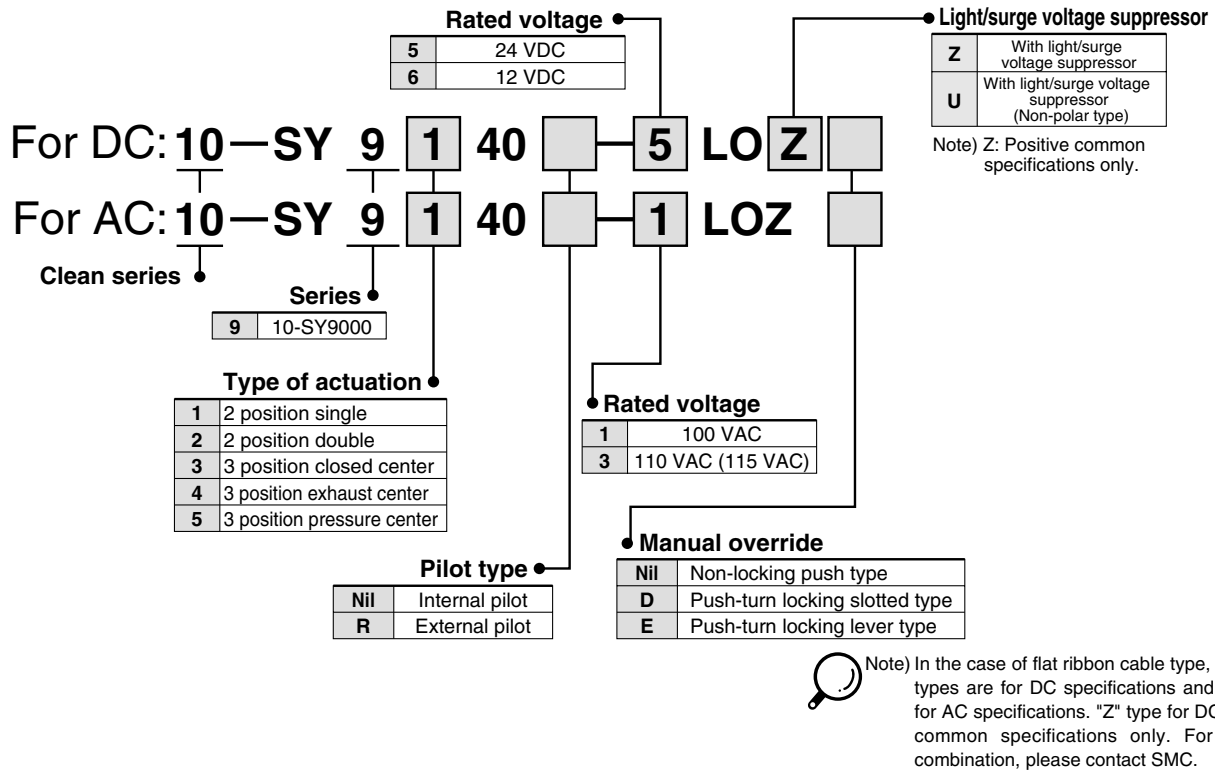
How to Order Manifold



How to Order Valve Manifold Assembly



How to Order Valves



How to Order Connector Assembly

For 12, 24 VDC

Specifications	For 10-SY9000
For single solenoid	SY9000-37-1A
Double solenoid 3 position	SY9000-37-2A
Single with spacer assembly	SY9000-37-3A
Double, 3 position with spacer assembly	SY9000-37-4A

For 100 VAC

Specifications	For 10-SY9000
For single solenoid	SY9000-37-1B
Double solenoid 3 position	SY9000-37-2B
Single with spacer assembly	SY9000-37-3B
Double, 3 position with spacer assembly	SY9000-37-4B

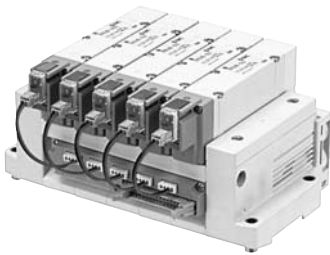
110 VAC (115 VAC)

Specifications	For 10-SY9000
For single solenoid	SY9000-37-1C
Double solenoid 3 position	SY9000-37-2C
Single with spacer assembly	SY9000-37-3C
Double, 3 position with spacer assembly	SY9000-37-4C

- Multiple valve wiring is simplified through the use of the flat cable connector.

• **Clean appearance**

In the case of a flat ribbon cable style, each valve is wired on the print board of manifold base to allow the external wiring to be piped all together with 26 pins MIL connector.



Flat ribbon cable manifold specifications

Model	10-SS5Y9-43P	
Applicable valve	10-SY9□40	
Manifold type	Stacking type	
P(SUP) / R(EXH)	Common SUP, Common EXH	
Valve stations	4 to 12 stations ^{Note 1)}	
A, B port piping specifications	Location	Base
	Direction	Side
Port size	P, EA, EB port	C12 (One-touch fitting for ø12)
	A, B port	1/4 3/8 C8 (One-touch fitting for ø8) C10 (One-touch fitting for ø10) C12 (One-touch fitting for ø12)
Manifold base weight W (g) n: Stations	W=114n+343	
Applicable flat ribbon cable connector	Flat ribbon cable connector, Socket: 26 pins MIL type with strain relief conforming to MIL-C-83503	
Internal wiring	In common between +COM and -COM (Z type: +COM only)	
Rated voltage	12, 24 VDC, 100, 110 VAC	

Note 1) For more than 10 stations, supply pressure to P port on both sides and exhaust from EA and EB port on both sides.

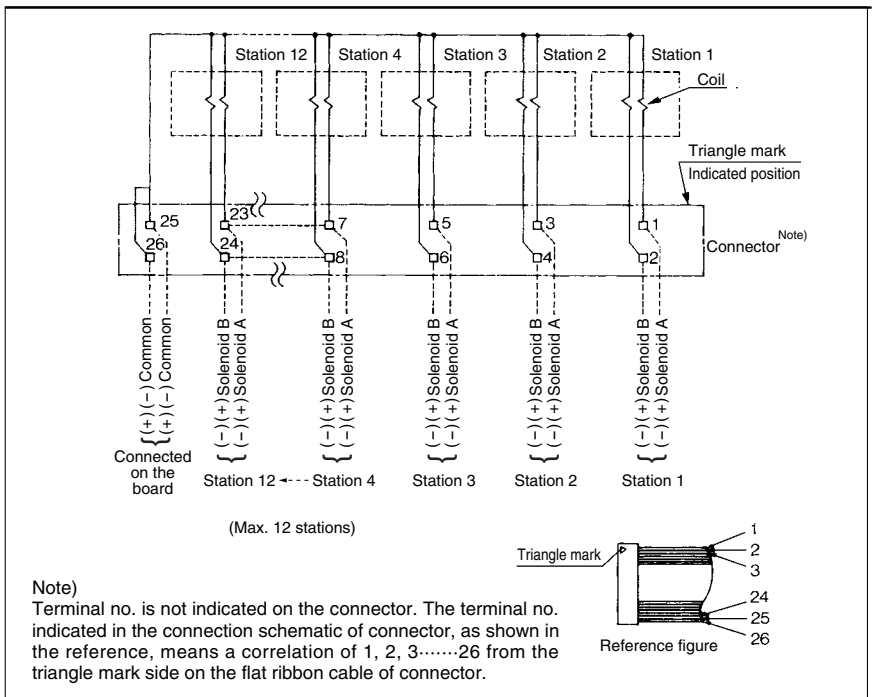
Note 2) The withstand voltage specification for the wiring unit section is JISC 0704, Grade 1 or its equivalent.

Flow Characteristics

Model	Port size		Flow characteristics					
	1, 5, 3 (P, EA, EB)	4, 2 (A, B)	1 → 4/2 (P → A/B)			4/2 → 5/3 (A/B → EA/EB)		
			C[dm³/(s·bar)]	b	Cv	C[dm³/(s·bar)]	b	Cv
10-SS5Y9-43P	C12	C12	6.4	0.29	1.6	7.3	0.29	1.8

Note) The value is for manifold base with 5 stations and individually operated 2 position type.

Internal wiring of manifold (Non-polar type)



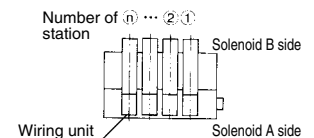
Caution

- For non-polar (U) valves, the electrical DC connections can be used with either positive and negative COM. For type (Z), only use with positive COM as the valve does not operate correctly when used with negative COM.

• For more than 10 stations, both poles of the common should be wired.

• For single solenoid, connect to the solenoid A side.

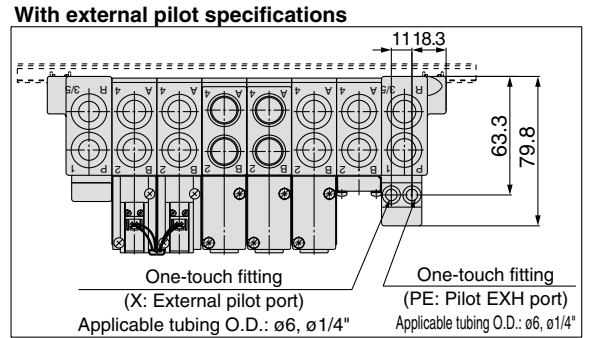
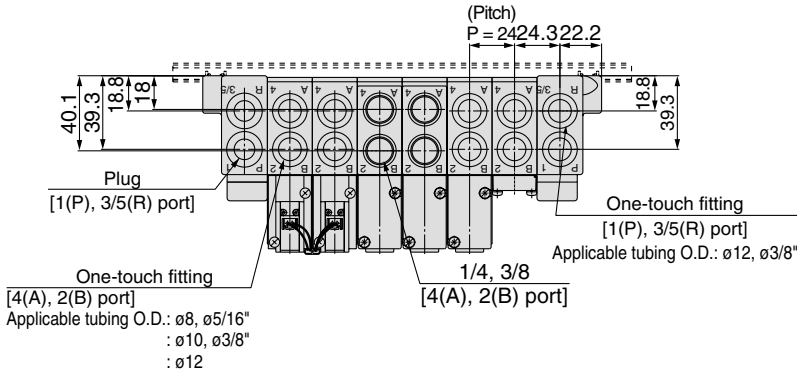
• The maximum number of stations that can be accommodated is 12. For more stations, please contact SMC.



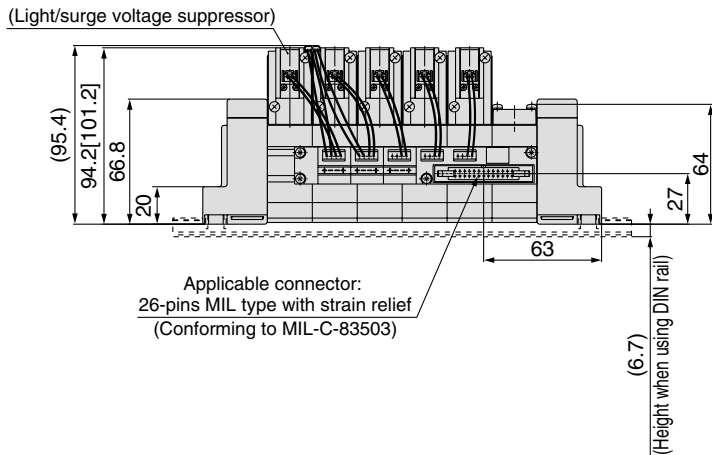
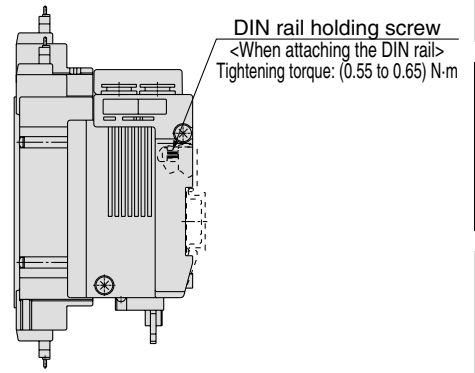
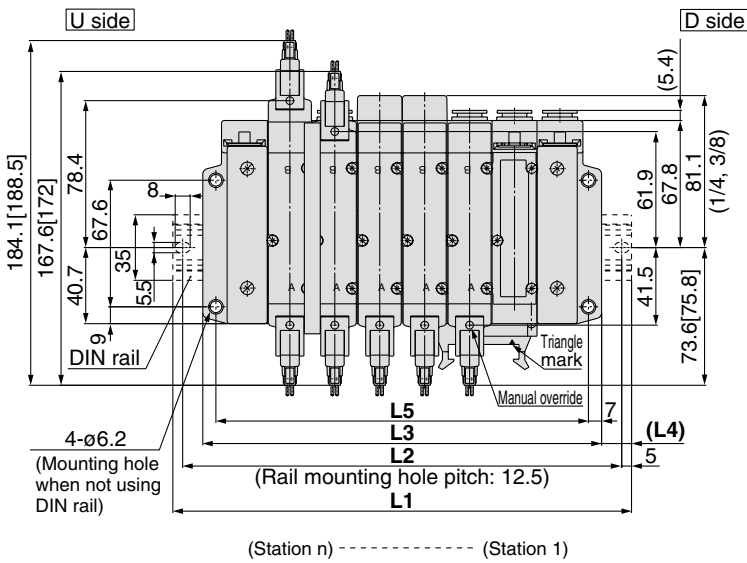
10-SY9000: 10-SS5Y9-43P- stations D - ^{02 C8, N9} _{03 C10, N11} (-D)

(Note) [] : AC

* When P, R port outlets are indicated on the D side, the P, R ports on the opposite side are plugged.

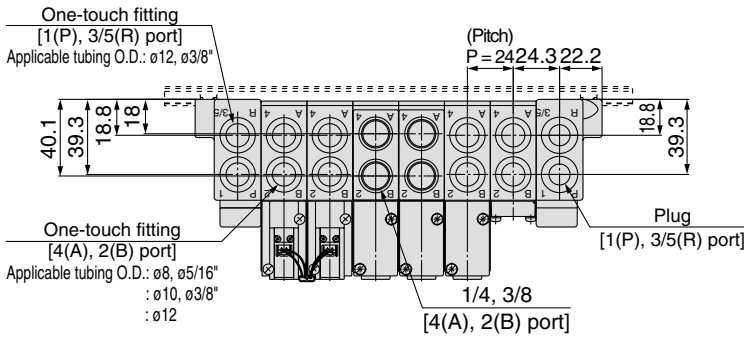


* The external pilot's extracting position is in the D side

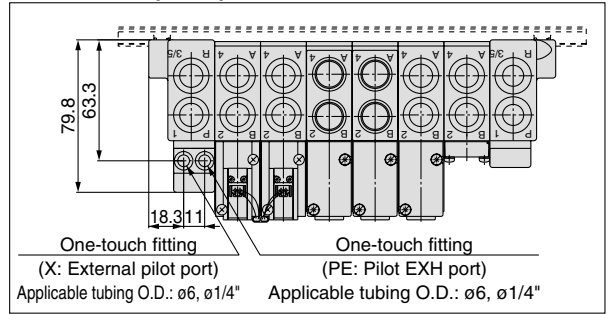


Stations n	4 stations	5	6	7	8	9	10 stations
L1	198	223	248	260.5	285.5	310.5	335.5
L2	187.5	212.5	237.5	250	275	300	325
L3	165	189	213	237	261	285	309
L4	16.5	17	17.5	12	12.5	13	13.5
L5	151	175	199	223	247	271	295

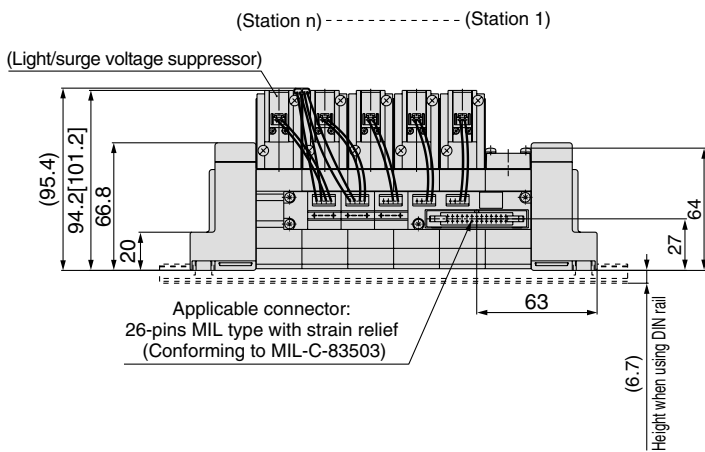
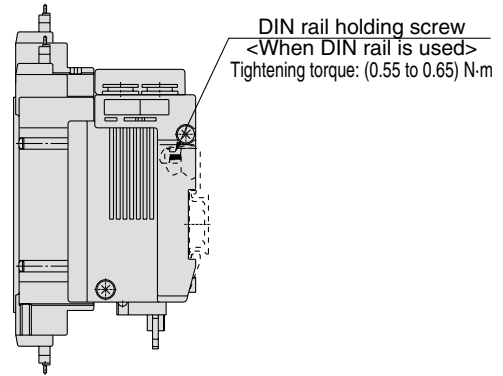
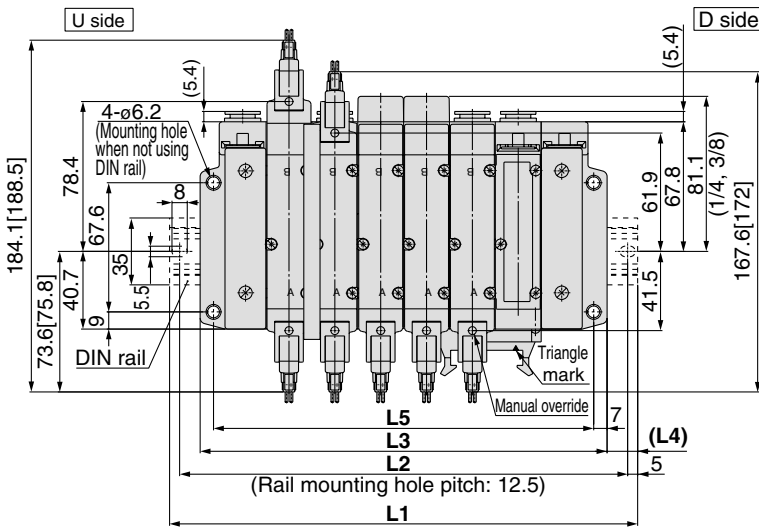
* When P, R port outlets are indicated on the U side, the P, R ports on the opposite side are plugged.



With external pilot specifications



* The external pilot's extracting position is in the U side.

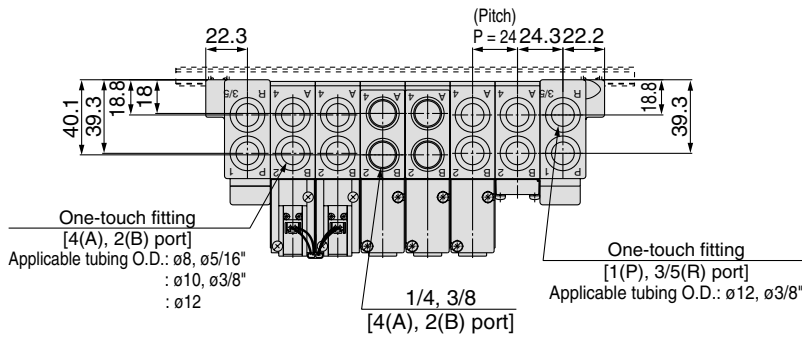


Stations n	4 stations	5	6	7	8	9	10 stations
L1	198	223	248	260.5	285.5	310.5	335.5
L2	187.5	212.5	237.5	250	275	300	325
L3	165	189	213	237	261	285	309
L4	16.5	17	17.5	12	12.5	13	13.5
L5	151	175	199	223	247	271	295

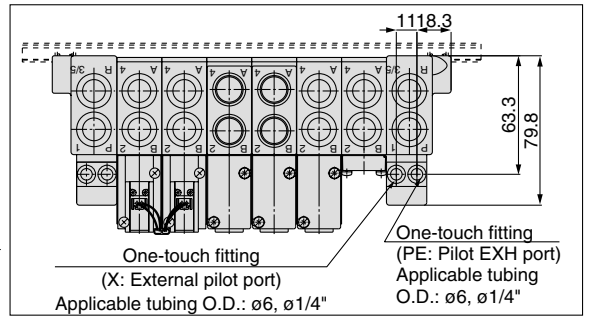
10-SY9000:10-SS5Y9-43P- Stations B - ^{02 C8, N9} _{03 C10, N11} (-D)

(Note) [] : AC

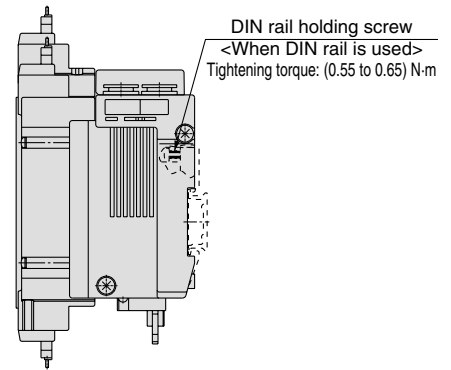
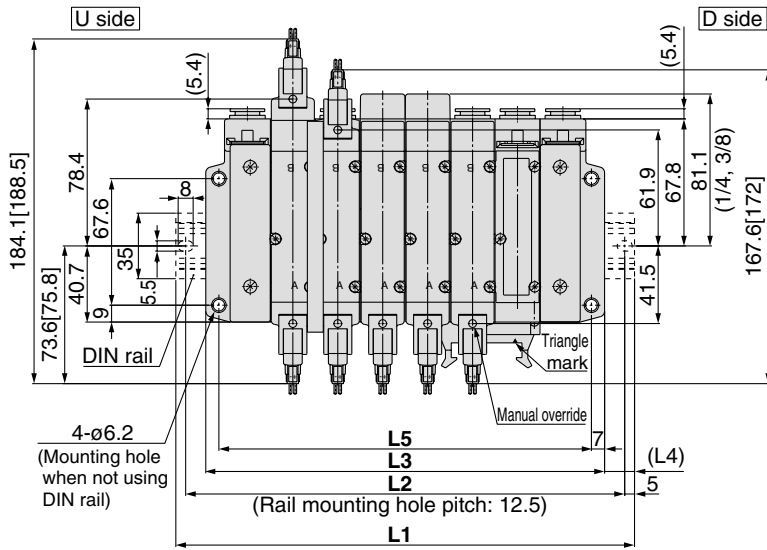
* When P, R port outlets are indicated on the B side, the P, R ports on the both sides are in the open state.



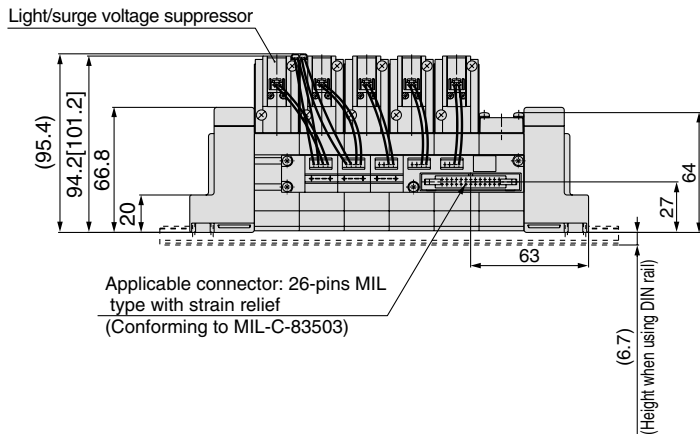
With external pilot specifications



* The external pilot's extracting position is in the B side (both sides).



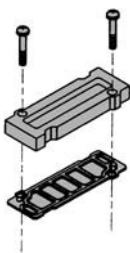
(Station n) ----- (Station 1)



Stations n	4 stations	5	6	7	8	9	10	11	12 stations
L1	198	223	248	260.5	285.5	310.5	335.5	360.5	385.5
L2	187.5	212.5	237.5	250	275	300	325	350	375
L3	165	189	213	237	261	285	309	333	357
L4	16.5	17	17.5	12	12.5	13	13.5	14	14.5
L5	151	175	199	223	247	271	295	319	343

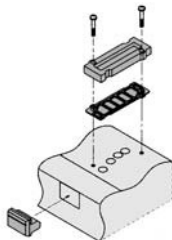
Manifold Option

■ Type 41, 42, 43
Blanking plate assembly



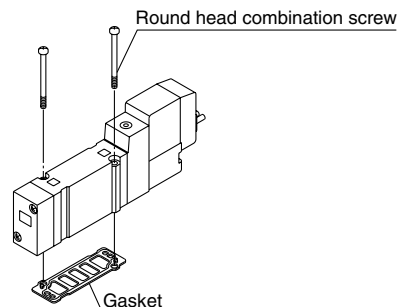
Series	Assembly part no.
10-SY3000	SY3000-26-9A
10-SY5000	SY5000-26-20A
10-SY7000	SY7000-26-22A
10-SY9000	SY9000-26-2A

■ Type 41P, 42P, 43P
Blanking plate assembly



Series	Assembly part No.
10-SY3000	SY3000-26-10A
10-SY5000	SY5000-26-21A
10-SY7000	SY7000-26-23A
10-SY9000	SY9000-26-4A

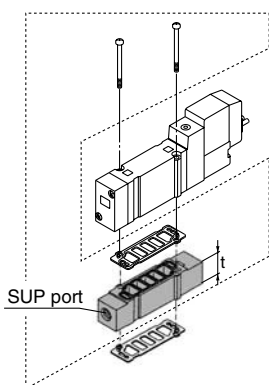
■ Gasket assembly part no.



Series	Gasket assembly
10-SY3000	SY3000-GS-2
10-SY5000	SY5000-GS-2
10-SY7000	SY7000-GS-2
10-SY9000	SY9000-GS-2

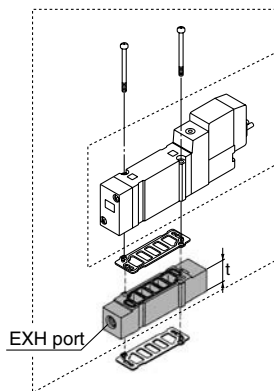
Note) Gasket assembly consists of mounting screws and a gasket.

■ Individual SUP spacer assembly ■ Individual EXH spacer assembly ■ Individual SUP spacer assembly + Individual EXH spacer assembly (stacked)



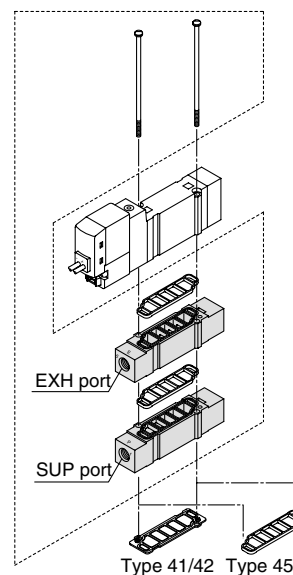
Series	Assembly part no.	Port size	t
10-SY3000	SY3000-38-2A	M5 x 0.8	11
10-SY5000	SY5000-38-16 * A	1/8	15
10-SY7000	SY7000-38-16 * A	1/4	18
10-SY9000	SY9000-38-2 * A	1/4	20

Note) The SUP port of SY3000/5000/7000 may be either on the lead wire side or end plate side. (An assembly is shipped under the conditions shown in the figure.)
 The end plate side is only available to SY9000.



Series	Assembly part no.	Port size	t
10-SY3000	SY3000-39-2A	M5 x 0.8	11
10-SY5000	SY5000-39-16 * A	1/8	15
10-SY7000	SY7000-39-16 * A	1/4	18
10-SY9000	SY9000-39-2 * A	1/4	20

Note) In case of types 41P, 42P and 43P, for protection of the wiring unit section from drainage, piping at the EA port should be arranged so that it will not be directly exposed to exhaust from the valve.



⚠ Caution * : Thread type

Mounting screw tightening torque

M2: 0.16N·m
 M3: 0.8N·m
 M4: 1.4N·m

Nil	Rc
F	G
N	NPT
T	NPTF

⚠ Warning

When mounting a valve or spacer on the manifold base or sub-plate, etc., those mounting directions are determined. If mounted in the wrong direction, the equipment to be connected may cause malfunction. Refer to external dimensions, and then mount it.

[○: Available ×: Not available –: No part no. setting]

Series	Individual SUP + Individual EXH assembly part No.	Port size	Applicable manifold type						
			41	41P	42	42P	45	45-A 45-NA	45 *
10-SY3000	SY3000-120-2A	M5 x 0.8	●	×	●	×	●	×	×
10-SY5000	SY5000-75-1 * A	1/8	●	×	●	×	●	×	×
10-SY7000	SY7000-73-1 * A	1/4	●	×	●	×	–	–	–

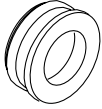
Note) The SUP port of SUP spacer can be mounted in either direction. When connecting to the pilot valve side, be sure to connect each port to protect the pilot valve wiring part from drainage.

An individual SUP spacer and an individual EXH spacer can be mounted on either top or bottom. (An assembly is shipped under the condition shown in the figure above.)

Manifold Option

■ SUP block disk (for SY9000)

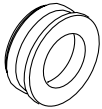
By installing a SUP block disk in the pressure supply passage of a manifold base, it is possible to supply two or more different high and low pressures to one manifold.



Series	Part no.
10-SY9000	SY9000-57-1A

■ EXH block disk (for SY9000)

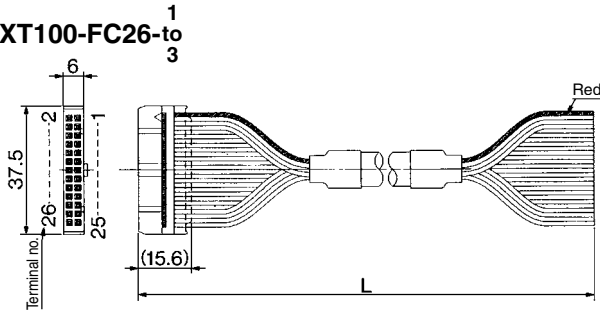
By installing an EXH block disk in the exhaust passage of a manifold valve, it is possible to divide the valve's exhaust so that it does not affect another valve. (Two block disks are needed to divide both exhausts.)



Series	Part no.
10-SY9000	SY9000-57-1A

■ Cable assembly

AXT100-FC26-to



Flat ribbon cable connector assembly

Cable length (L)	Assembly part no.	Note
1.5m	AXT100-FC26-1	Cable 26 cores x 28AWG
3m	AXT100-FC26-2	
5m	AXT100-FC26-3	

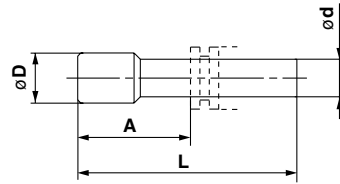
⦿ * For other connectors in the marketplace, use a 26 pins with strain relief conforming to MIL-C-83503.

Example of connector manufacturers

- Hirose Electric Co.,Ltd.
- Sumitomo 3M Ltd.
- Fujitsu Ltd.
- Japan Aviation Electronics Industry, Ltd.
- J.S.T. Mfg Co., Ltd.

■ Plug (White)

To be inserted into unused cylinder ports and SUP, EXH ports. The minimum order quantity is 10 pieces.



Dimensions

Applicable fitting size ød	Model	A	L	D
4	10-KQP-04	16	32	6
6	10-KQP-06	18	35	8
8	10-KQP-08	20.5	39	10
10	10-KQP-10	22	43	12
12	10-KQP-12	24	44.5	14
1/8"	10-KQP-01	16	31.5	5
5/32"	10-KQP-03	16	32	6
1/4"	10-KQP-07	18	35	8.5
5/16"	10-KQP-09	20.5	39	10
3/8"	10-KQP-11	22	43	11.5

Air cylinder

Rotary actuator

Air gripper

Directional control valve

Flow control equipment

Filter, Pressure control equipment

Fittings & Tubing

Air preparation equipment

Pressure switch

Clean gas filter

Series 10-SY3000/5000

Type **45**

Base mounted manifold
Stacking type / DIN rail mounted
Individual wiring

How to Order Manifold

10-SS5Y **3** - 45 - **05** **U** - **C6** - []

Clean series

Series

3	10-SY3000
5	10-SY5000

Valve stations

02	2 stations
⋮	⋮
20	20 stations

SUP/EXH block assembly mounting position

Symbol	Mounting position	Applicable no. of stations
U	U side	2 to 10 stations
D	D side	
B	Both sides	2 to 20 stations
M*	Special specifications	

* For special specifications, indicate separately on the manifold specification sheet.

A, B port size

One-touch fitting (Metric size)

Symbol	Port size	Applicable series
C4	One-touch fitting for $\phi 4$	10-SY3000
C6	One-touch fitting for $\phi 6$	
M	Mixed	
C4	One-touch fitting for $\phi 4$	10-SY5000
C6	One-touch fitting for $\phi 6$	
C8	One-touch fitting for $\phi 8$	
M	Mixed	

One-touch fitting (Inch size)

Symbol	Port size	Applicable series
N3	$5/32"$ One-touch fitting for ϕ	10-SY3000
N7	$1/4"$ One-touch fitting for ϕ	
M	Mixed	
N3	$5/32"$ One-touch fitting for ϕ	10-SY5000
N7	$1/4"$ One-touch fitting for ϕ	
N9	$5/16"$ One-touch fitting for ϕ	
M	Mixed	

* In the case of mixed specifications, indicate separately on the manifold specification sheet.

Option

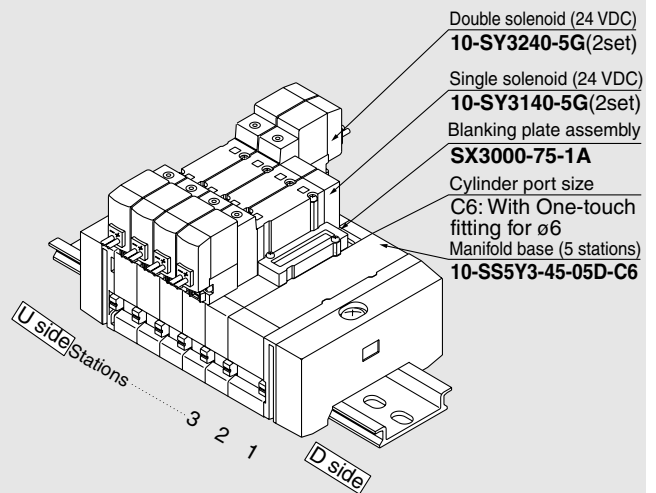
When a DIN rail longer than the specified stations is required, specify the station number. (20 stations maximum)



Refer to pages 477 to 479 for the external pilot specifications.

How to Order Manifold Assembly

Ordering example



10-SS5Y3-45-05D-C6...1 set (Type 45, 5 stations manifold base part no.)

*SX3000-75-1A1 set (Blanking plate assembly part no.)

*10-SY3140-5G2 sets (Single solenoid part no.)

*10-SY3240-5G2 sets (Double solenoid part no.)

The asterisk denotes the symbol for assembly. Prefix it to the part nos. of the solenoid valve, etc.

The valve arrangement is numbered as the 1st. station from D side regardless of the mounting position of SUP/EXH block assembly. In ordering, specify the part nos. in the order from the 1st. station on D side. Besides, when the arrangement will be complicated, fill out the manifold specification sheet to instruct SMC.

How to Order Valves

10—SY 5 2 40 **5 L**

• **Clean series**

• **Series**

3	10-SY3000
5	10-SY5000

• **Type of actuation**

1	2 position single
2	2 position double
3	3 position closed center
4	3 position exhaust center
5	3 position pressure center

• **Coil specifications**

Nil	Standard
T	With power saving circuit <24 and 12 VDC only>

• **Rated voltage**

DC specifications

5	24 VDC
6	12 VDC
V	6 VDC
S	5 VDC
R	3 VDC

AC specifications (50/60 Hz)

1	100 VAC
2	200 VAC
3	110 VAC [115 VAC]
4	220 VAC [230 VAC]

• **Manual override**

Nil	Non-locking push type
D	Push-turn locking slotted type
E	Push-turn locking lever type

• **Light/surge voltage suppressor**

Electrical entry for G, H, L, M, W

Nil	Without light/surge voltage suppressor
S	With surge voltage suppressor
Z	With light/surge voltage suppressor
R	With surge voltage suppressor (Non-polar type)
U	With light/surge voltage suppressor (Non-polar type)

• For AC voltage valves, there is no "S" option. It is already built-in to the rectifier circuit.
 • For "R" and "U", only DC voltage is available.
 • Power saving circuit is only available in the "Z" type.

Electrical entry for D

Nil	Without light/surge voltage suppressor
S	With surge voltage suppressor (Non-polar type)
Z	With light/surge voltage suppressor (Non-polar type)

• "DOZ" is not available.
 • For AC voltage valves, there is no "S" option. It is already built-in to the rectifier circuit.

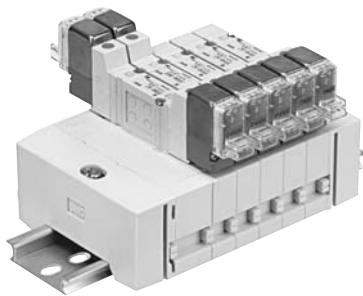
• **Electrical entry**

24, 12, 6, 5, 3 VDC / 100, 110, 200, 220 VAC		24, 12 VDC 100, 110, 200, 220 VAC	24, 12 VDC 6, 5, 3 VDC
Grommet	L plug connector	M plug connector	DIN terminal
G: Lead wire length 300 mm	L: With lead wire (length 300 mm)	M: With lead wire (length 300 mm)	D: With connector (10-SY5000 only)
H: Lead wire length 600 mm	LN: Without lead wire	MN: Without lead wire	DO: Without connector
	LO: Without connector	MO: Without connector	WO: Without connector cable
			W□: With connector cable ^{Note 1)}

• LN, MN: with 2 sockets.
 • "D" and "DO" are only available for 10-SY5000.
 • DIN terminal type "Y" conforming to EN-175301-803C (former DIN43650C) is also available. For details, refer to page 482.
 • For connector cable of M8 connector, refer to page 490.
 Note 1) Please enter cable length in □ with reference to page 491.

• **DC specifications of type "D" and "DO" is only available with 12 and 24 VDC.**
 • For type "W□", only DC voltage is available.
 • "D" and "DO" are only available for 10-SY5000.

- Air cylinder
- Rotary actuator
- Air gripper
- Directional control valve
- Flow control equipment
- Filter, Pressure control equipment
- Fittings & Tubing
- Air preparation equipment
- Pressure switch
- Clean gas filter



Manifold Specifications

Model	10-SS5Y3-45		10-SS5Y5-45	
Applicable valve	10-SY3□40		10-SY5□40	
Manifold type	Stacking type / DIN rail mounted			
P (SUP), R (EXH)	Common SUP/EXH			
Valve stations	2 to 20 stations ^{Note 1)}			
A, B port piping specifications	Location	Base		
	Direction	Side		
Port size	P, R port	C8 (One-touch fitting for ø8)	C10 (One-touch fitting for ø10)	
	A, B port	C4 (One-touch fitting for ø4) C6 (One-touch fitting for ø6)	C4 (One-touch fitting for ø4) C6 (One-touch fitting for ø6) C8 (One-touch fitting for ø8)	
Manifold base weight W (g)	2 to 10 stations: W = 22n + 118		2 to 10 stations: W = 47n + 156	
n: Stations	11 to 20 stations: W = 22n + 140		11 to 20 stations: W = 47n + 190	



Note 1) For more than 11 stations, supply pressure to P port on both sides and exhaust from R port on both sides.

Flow Characteristics

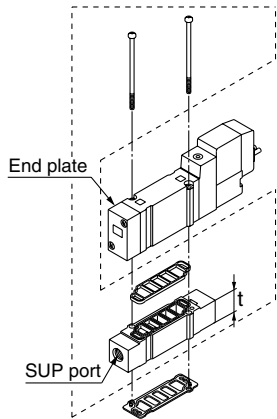
Model	Port size		Flow characteristics					
	1, 5, 3 (P, EA, EB)	4, 2 (A, B)	1→4/2(P→A/B)			4/2→5/3(A/B→EA/EB)		
			C[dm ³ /(s·bar)]	b	Cv	C[dm ³ /(s·bar)]	b	Cv
10-SS5Y3-45	C8	C6	0.88	0.21	0.22	0.95	0.18	0.22
10-SS5Y5-45	C10	C8	2.2	0.24	0.53	2.5	0.18	0.58



Note) The value is for manifold base with 5 stations and individually operated 2 position type.

Manifold Option

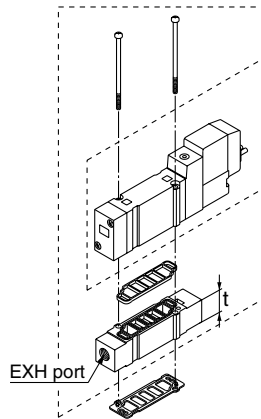
Individual SUP spacer assembly



Series	Assembly part no.	Port size	t
10-SY3000	SY3000-38-2A	M5 x 0.8	11
10-SY5000	SY5000-38-16 * A	1/8"	15

Note) The SUP port may be either on the lead wire side or on the end plate side. (An assembly is shipped under the conditions shown in the figure.)

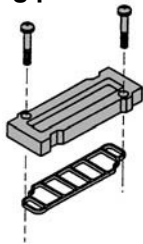
Individual EXH spacer assembly



Series	Assembly part no.	Port size	t
10-SY3000	SY3000-39-2A	M5 x 0.8	11
10-SY5000	SY5000-39-16 * A	1/8"	15

Note) The EXH port may be either on the lead wire side or on the end plate side. (An assembly is shipped under the conditions shown in the figure.)

Blanking plate assembly



Series	Assembly part no.
10-SY3000	SX3000-75-1A
10-SY5000	SX5000-76-5A

* : Thread type

Nil	Rc
F	G
N	NPT
T	NPTF

Caution
Mounting screw tightening torque

M2: 0.16N·m
M3: 0.8N·m
M4: 1.4N·m

SUP block disk

By installing a supply block disk in the pressure supply passage of a manifold valve, it is possible to supply two or more different high and low pressures to one manifold.



Series	Part no.
10-SY3000	SX3000-77-1A
10-SY5000	SX5000-77-1A

EXH block disk

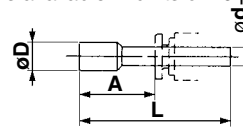
By installing an EXH block disk in the exhaust passage of a manifold valve, it is possible to divide the valve's exhaust so that it does not affect another valve. (Two block disks are needed to divide exhausts.)



Series	Part no.
10-SY3000	SX3000-77-1A
10-SY5000	SX5000-77-1A

Plug (White)

These are inserted in unused cylinder ports and SUP, EXH ports. Purchasing order is available in units of 10 pieces.



Dimensions

Applicable fitting size ϕd	Model	A	L	D
4	10-KQP-04	16	32	6
6	10-KQP-06	18	35	8
8	10-KQP-08	20.5	39	10
10	10-KQP-10	22	43	12
1/8"	10-KQP-01	16	31.5	5
5/32"	10-KQP-03	16	32	6
1/4"	10-KQP-07	18	35	8.5
5/16"	10-KQP-09	20.5	39	10

Air cylinder

Rotary actuator

Air gripper

Directional control valve

Flow control equipment

Filter, Pressure control equipment

Fittings & Tubing

Air preparation equipment

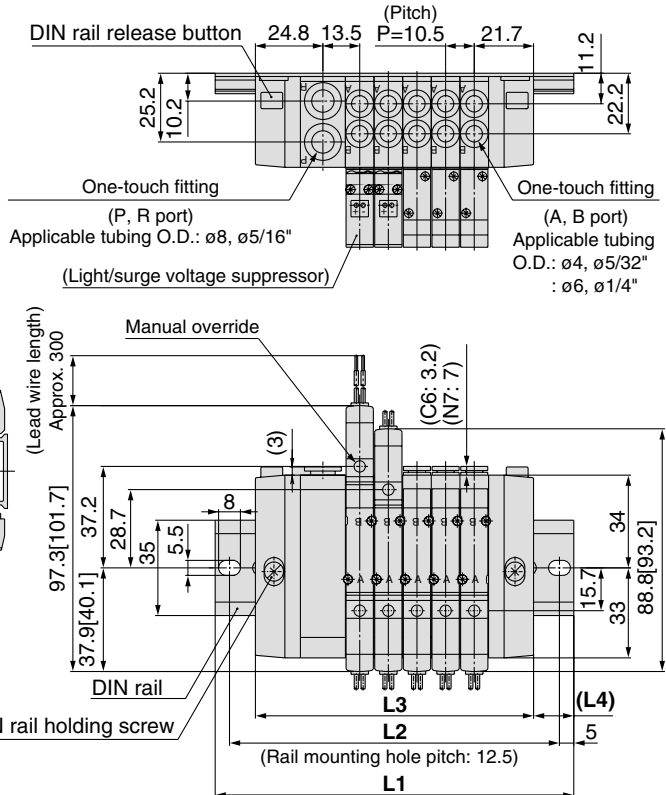
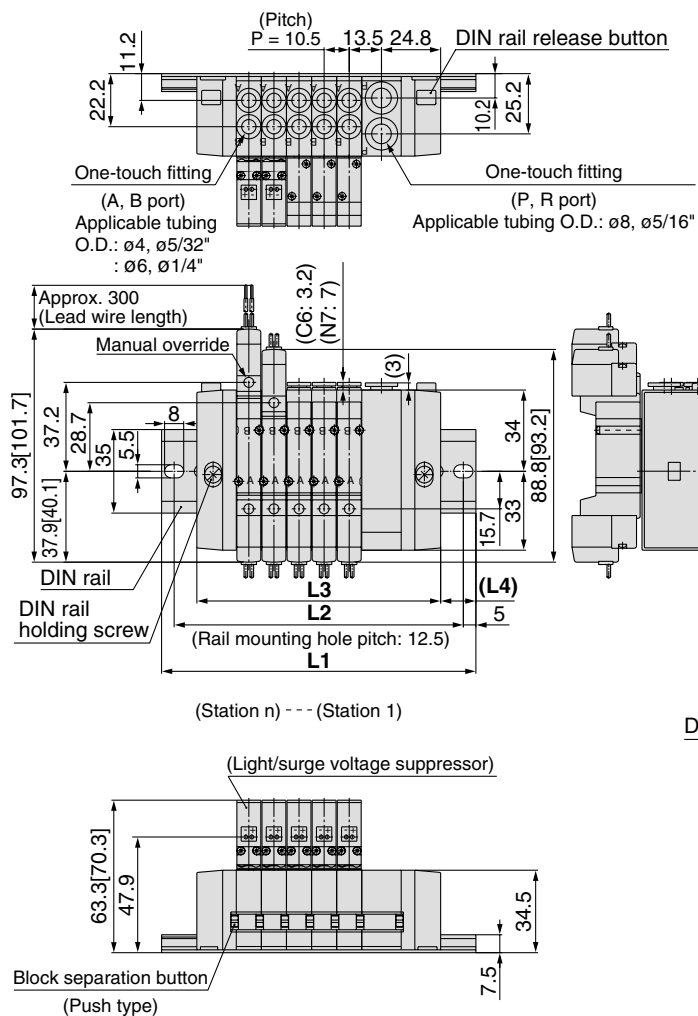
Pressure switch

Clean gas filter

Dimensions: Series 10-SY3000

10-SS5Y3-45- Stations D- C4,N3 C6,N7

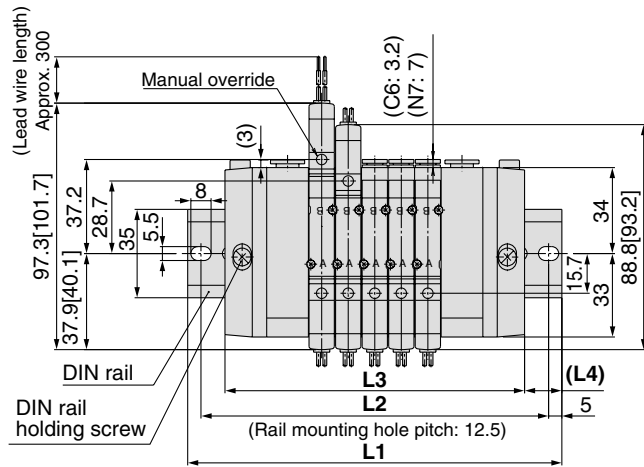
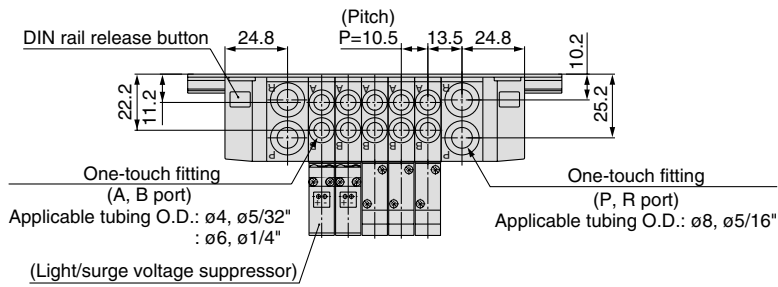
10-SS5Y3-45- Stations U- C4,N3 C6,N7



Stations n	2 stations	3	4	5	6	7	8	9	10 stations
L1	98	110.5	123	135.5	148	148	160.5	173	185.5
L2	87.5	100	112.5	125	137.5	137.5	150	162.5	175
L3	70.5	81	91.5	102	112.5	123	133.5	144	154.5
L4	13.5	14.5	15.5	16.5	17.5	12.5	13.5	14.5	15.5

Dimensions: Series 10-SY3000

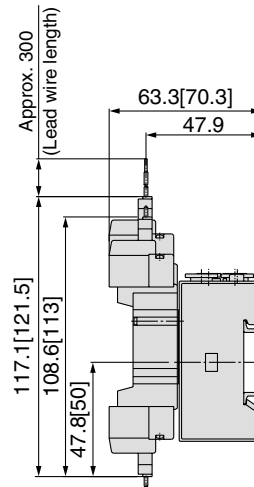
**10-SS5Y3-45- Stations B- C4,N3
C6,N7**



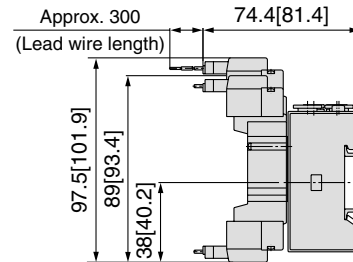
Stations n	2 stations	3	4	5	6	7	8	9	10 stations
L1	110.5	123	135.5	148	160.5	173	185.5	185.5	198
L2	100	112.5	125	137.5	150	162.5	175	175	187.5
L3	87	97.5	108	118.5	129	139.5	150	160.5	171
L4	11.5	12.5	13.5	14.5	15.5	16.5	17.5	12.5	13.5

Stations n	11 stations	12	13	14	15	16	17	18	19	20 stations
L1	210.5	223	235.5	248	248	260.5	273	285.5	298	310.5
L2	200	212.5	225	237.5	237.5	250	262.5	275	287.5	300
L3	181.5	192	202.5	213	223.5	234	244.5	255	265.5	276
L4	14.5	15.5	16.5	17.5	12	13	14	15	16	17

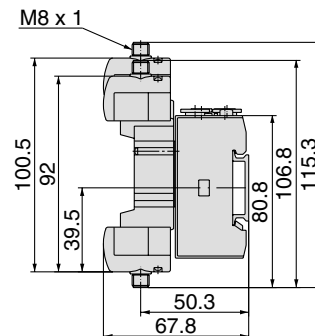
L plug connector



M plug connector

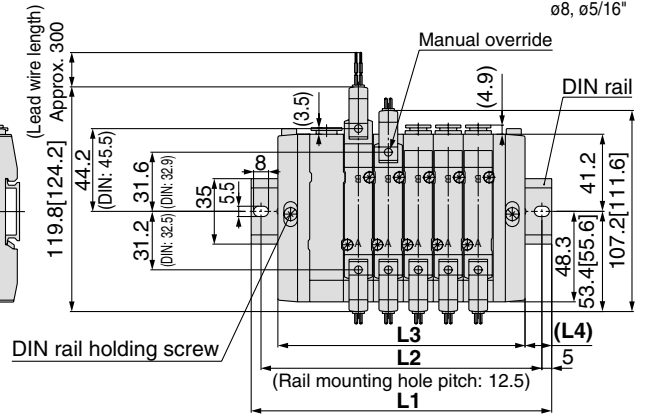
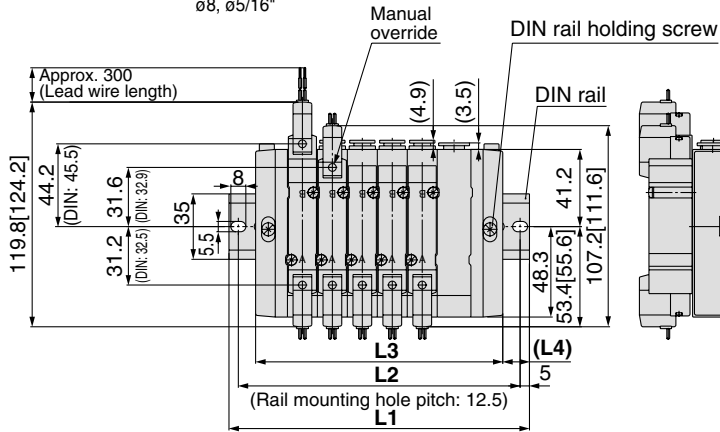
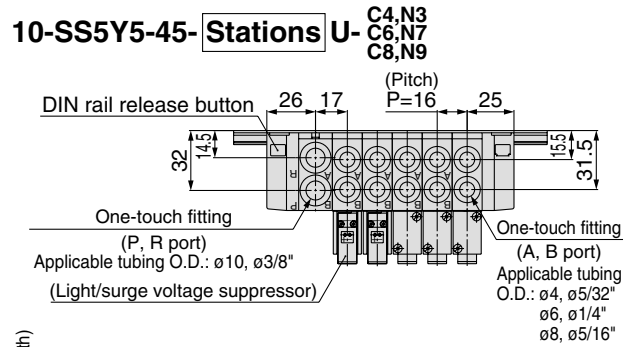
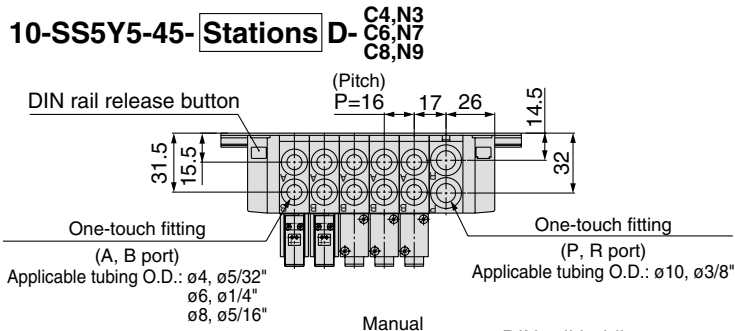
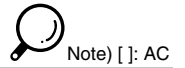


M8 connector (WO)

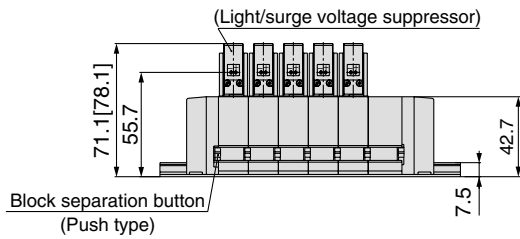


Note) Refer to page 490 for dimensions of connector types.

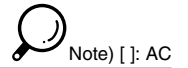
Dimensions: Series 10-SY5000



(Station n) ----- (Station 1)

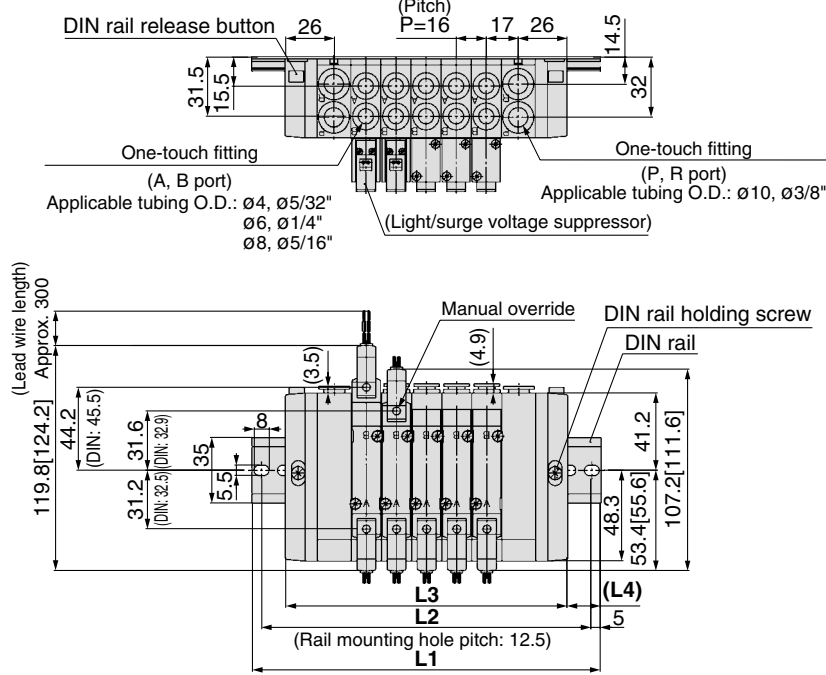


Stations n	2 stations	3	4	5	6	7	8	9	10 stations
L1	110.5	135.5	148	160.5	173	198	210.5	223	235.5
L2	100	125	137.5	150	162.5	187.5	200	212.5	225
L3	84	100	116	132	148	164	180	196	212
L4	13	17.5	16	14	12.5	17	15	13.5	11.5

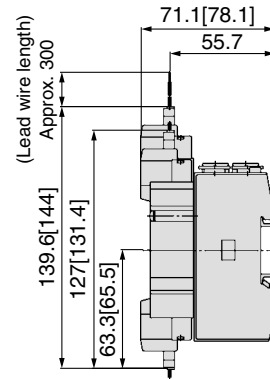


Dimensions: Series 10-SY5000

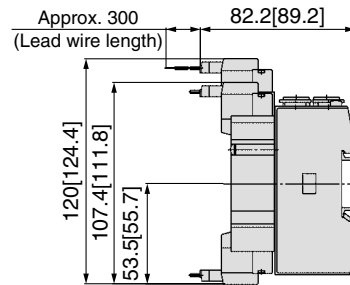
**10-SS5Y5-45- Stations B - C4,N3
C6,N7
C8,N9**



L plug connector



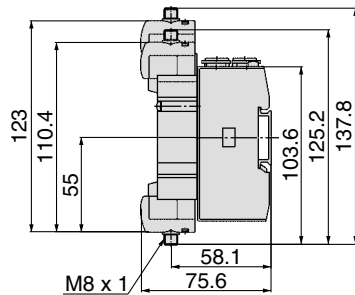
M plug connector



Stations n	2 stations	3	4	5	6	7	8	9	10 stations
L1	135.5	148	160.5	185.5	198	210.5	223	248	260.5
L2	125	137.5	150	175	187.5	200	212.5	237.5	250
L3	102	118	134	150	166	182	198	214	230
L4	16.5	15	13	17.5	16	14	12.5	17	15

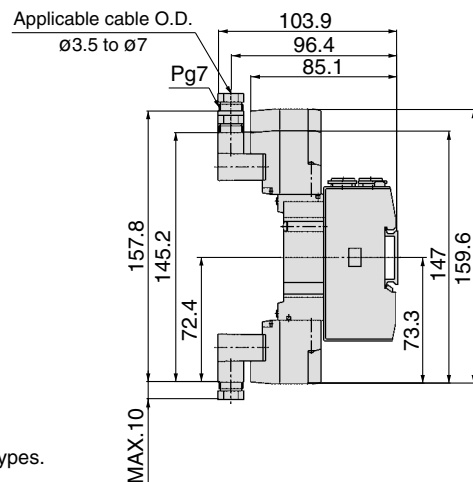
Stations n	11 stations	12	13	14	15	16	17	18	19	20 stations
L1	273	285.5	310.5	323	335.5	360.5	373	385.5	398	423
L2	262.5	275	300	312.5	325	350	362.5	375	387.5	412.5
L3	246	262	278	294	310	326	342	358	374	390
L4	13.5	11.5	16	14.5	12.5	17	15.5	13.5	12	16.5

M8 connector (WO)



Note) Refer to page 490 for dimensions of connector types.

DIN terminal (D)



- Air cylinder
- Rotary actuator
- Air gripper
- Directional control valve
- Flow control equipment
- Filter, Pressure control equipment
- Fittings & Tubing
- Air preparation equipment
- Pressure switch
- Clean gas filter

Series 10-SY3000/5000

Type **45-A-NA**

Base mounted manifold
Stacking type / DIN rail mounted
Connector box

How to Order Manifold

10-SS5Y **3** -45- **A** **U** -05 **D** -C6

• Clean series

Series

3	10-SY3000
5	10-SY5000

Specifications

Symbol	Specifications
A	With connector box (+COM specifications)
NA	With connector box (-COM specifications)



The style of attached lead wire assembly is different.

Connector box mounting position

Symbol	Mounting position
U	U side
D	D side

Stations

Symbol	Stations	Note
02	2 stations	Available up to 16 solenoid valves.
⋮	⋮	
16	16 stations	

SUP/EXH block assembly mounting position

Symbol	Mounting position	Applicable stations
U	U side	2 to 10 stations
D	D side	
B	Both sides	2 to 16 stations
M*	Special specifications	

* For special specifications, indicate separately on the manifold specification sheet.

A-B port size

One-touch fitting (Metric size)

Symbol	Port size	Applicable series
C4	One-touch fitting for ø4	10-SY3000
C6	One-touch fitting for ø6	
M	Mixed	
C4	One-touch fitting for ø4	10-SY5000
C6	One-touch fitting for ø6	
C8	One-touch fitting for ø8	
M	Mixed	

One-touch fitting (Inch size)

Symbol	Port size	Applicable series
N3	One-touch fitting for ø5/32"	10-SY3000
N7	One-touch fitting for ø1/4"	
M	Mixed	
N3	One-touch fitting for ø5/32"	10-SY5000
N7	One-touch fitting for ø1/4"	
N9	One-touch fitting for ø5/32"	
M	Mixed	

* In the case of mixed specifications, indicate separately on the manifold specification sheet.

Option

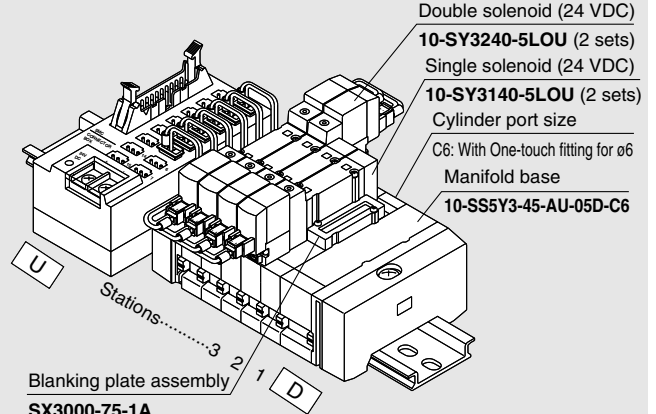
When a DIN rail longer than the specified stations is necessary, indicate the number of required stations. (20 stations at the maximum)



Refer to catalog pages 477 to 479 for the external pilot specifications.

How to Order Valve Manifold Assembly

Ordering example (SY3000, + COM, U side mounting)



Blanking plate assembly

SX3000-75-1A

10-SS5Y3-45-AU-05D-C6 · 1set (Type 45, 5 stations manifold base part no.)

* **SX3000-75-1A**.....1set (Blanking plate assembly part no.)

* **10-SY3140-5LOU**.....2sets (Single solenoid part no.)

* **10-SY3240-5LOU**.....2sets (Double solenoid part no.)

→ The asterisk denotes the symbol for assembly.

Prefix it to the part nos. of the solenoid valve, etc.

The valve arrangement is numbered as the 1st. station from D side regardless of the mounting position of connector box. In ordering, specify the part nos. in the order from the 1st. station on D side.

When the arrangement will be complicated, fill out the manifold specification sheet to instruct SMC.

10-SS5Y²-45-A³□□-C□□ is assembled with solenoid valve and lead wire assembly when shipping. Be sure to indicate a solenoid valve part no. in ordering.

How to Order Valves

10 - SY **5** **2** 40 - 5 LOU

• Clean series

Series

3	10-SY3000
5	10-SY5000

• Manual override

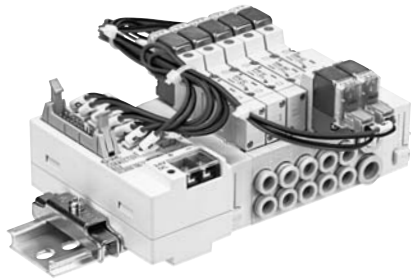
Nil	Non-locking push type
D	Push-turn locking slotted type
E	Push-turn locking lever type

Type of actuation

1	2 position single
2	2 position double
3	3 position closed center
4	3 position exhaust center
5	3 position pressure center

Rated voltage

5	24 VDC
----------	--------



Manifold Specifications

Model	10-SS5Y3-45-A-NA		10-SS5Y5-45-A-NA	
Applicable valve	10-SY3□40		10-SY5□40	
Manifold type	Stacking type / DIN rail mounted			
P (SUP), R (EXH)	Common SUP, Common EXH			
Valve stations	2 to 16 stations ^{Note 1, 2)}			
A, B port piping specifications	Location	Base		
	Direction	Side		
Port size	P, R port	C8 (One-touch fitting for ø8)	C10 (One-touch fitting for ø10)	
	A, B port	C4 (One-touch fitting for ø4) C6 (One-touch fitting for ø6)	C4 (One-touch fitting for ø4) C6 (One-touch fitting for ø6) C8 (One-touch fitting for ø8)	
Manifold base weight W (g) n: Stations	2 to 10 stations: W = 26n + 207 11 to 20 stations: W = 26n + 229		2 to 10 stations: W = 52n + 245 11 to 16 stations: W = 52n + 279	
Applicable flat ribbon cable connector	Flat ribbon cable connector socket: 20 pins MIL with strain relief conforming to MIL-C-83503			
Wiring specifications	+COM specifications (Type 45-A), -COM specifications (Type 45-NA)			

Note 1) For more than 11 stations, supply pressure to P port on both sides and exhaust from R port on both sides.
Note 2) There is a limit depending on the number of solenoids. Refer to "How to Order".

Flow Characteristics

Model	Port size		Flow characteristics					
	1, 5, 3 (P, EA, EB)	4, 2 (A, B)	1→4/2(P→A/B)			4/2→5/3(A/B→EA/EB)		
			C[dm³/(s·bar)]	b	Cv	C[dm³/(s·bar)]	b	Cv
10-SS5Y3-45-□	C8	C6	0.88	0.21	0.22	0.95	0.18	0.22
10-SS5Y5-45-□	C10	C8	2.2	0.24	0.53	2.5	0.18	0.58

Note) The value is for manifold base with 5 stations and individually operated 2 position type.

Manifold wiring diagram (Circuit diagram for the reference layout)

+COM electric circuit diagram

-COM electric circuit diagram

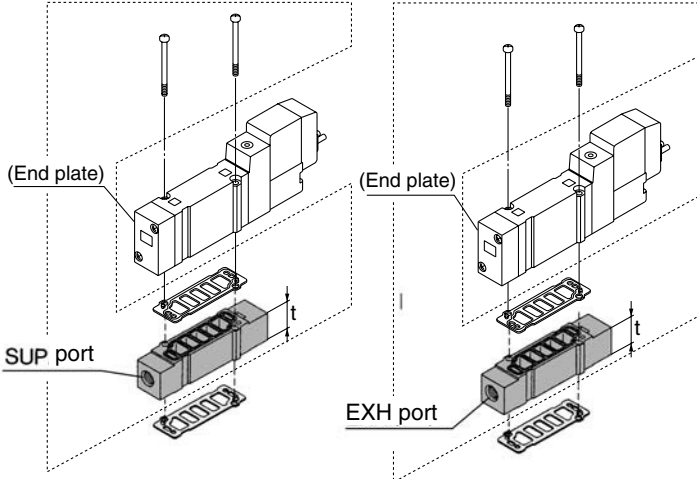
Reference layout

- Connector box for +COM allows transmission unit G71-0D16, manufactured by OMRON Corp. to be connected directly for serial transmission. Additionally, it can also be used for the PC wiring system.
- When an external power source must be supplied to the manifold, correct polarity must be observed, otherwise damage to PLC may occur.
- The wiring of solenoid valves corresponds to the labeled connector box 0 to 15 from D side.
- If valves other than non-polar type are used, this may cause malfunction.

Air cylinder
Rotary actuator
Air gripper
Directional control valve
Flow control equipment
Filter, Pressure control equipment
Fittings & Tubing
Air preparation equipment
Pressure switch
Clean gas filter

Manifold Option

Individual SUP spacer assembly ■ Individual EXH spacer assembly



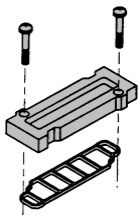
Series	Assembly part no.	Port size	t
10-SY3000	SY3000-38-2A	M5 x 0.8	11
10-SY5000	SY5000-38-16 * A	1/8"	15

Note) The SUP port may be either on the lead wire side or on the end plate side. (An assembly is shipped under the condition shown in the figure.)

Series	Assembly part no.	Port size	t
10-SY3000	SY3000-39-2A	M5 x 0.8	11
10-SY5000	SY5000-39-16 * A	1/8"	15

Note) The EXH port may be either on the lead wire side or on the end plate side. (An assembly is shipped under the condition shown in the figure.)

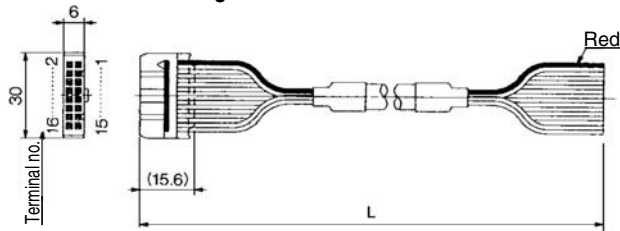
Blanking plate assembly



Series	Assembly part no.
10-SY3000	SX3000-75-1A
10-SY5000	SX5000-76-1A

Cable assembly

AXT100-FC20-1 to **3**



Flat ribbon cable connector assembly

Cable length (L)	Assembly part no.	Note
1.5m	AXT100-FC20-1	Cable 20 cores x 22AWG
3m	AXT100-FC20-2	
5m	AXT100-FC20-3	

* For other connectors in the marketplace, use a 20 pins with strain relief conforming to MIL-C-83503.

Example of connector manufacturers

- Sumitomo 3M Ltd.
- Fujitsu Ltd.
- Japan Aviation Electronics Industry, Ltd.
- J.S.T. Mfg Co., Ltd.

SUP block disk

By installing a SUP block disk in the pressure supply passage of a manifold valve, it is possible to supply two or more different high and low pressures to one manifold.



Series	Part no.
10-SY3000	SX3000-77-1A
10-SY5000	SX5000-77-1A

EXH block disk

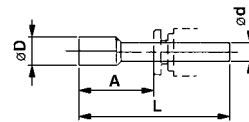
By installing an EXH block disk in the exhaust passage of a manifold valve, it is possible to divide the valve's exhaust so that it does not affect another valve. (Two block disks are needed to divide both exhausts.)



Series	Part no.
10-SY3000	SX3000-77-1A
10-SY5000	SX5000-77-1A

Plug (White)

These are inserted in unused cylinder ports and SUP, EXH ports. Purchasing order is available in units of 10 pieces.



Dimensions

Applicable fitting size ϕd	Model	A	L	D
4	10-KQP-04	16	32	6
6	10-KQP-06	18	35	8
8	10-KQP-08	20.5	39	10
10	10-KQP-10	22	43	12
1/8"	10-KQP-01	16	31.5	5
5/32"	10-KQP-03	16	32	6
1/4"	10-KQP-07	18	35	8.5
5/16"	10-KQP-09	20.5	39	10

* : Thread type

Nil	Rc
F	G
N	NPT
T	NPTF

Caution

Mounting screw tightening torque

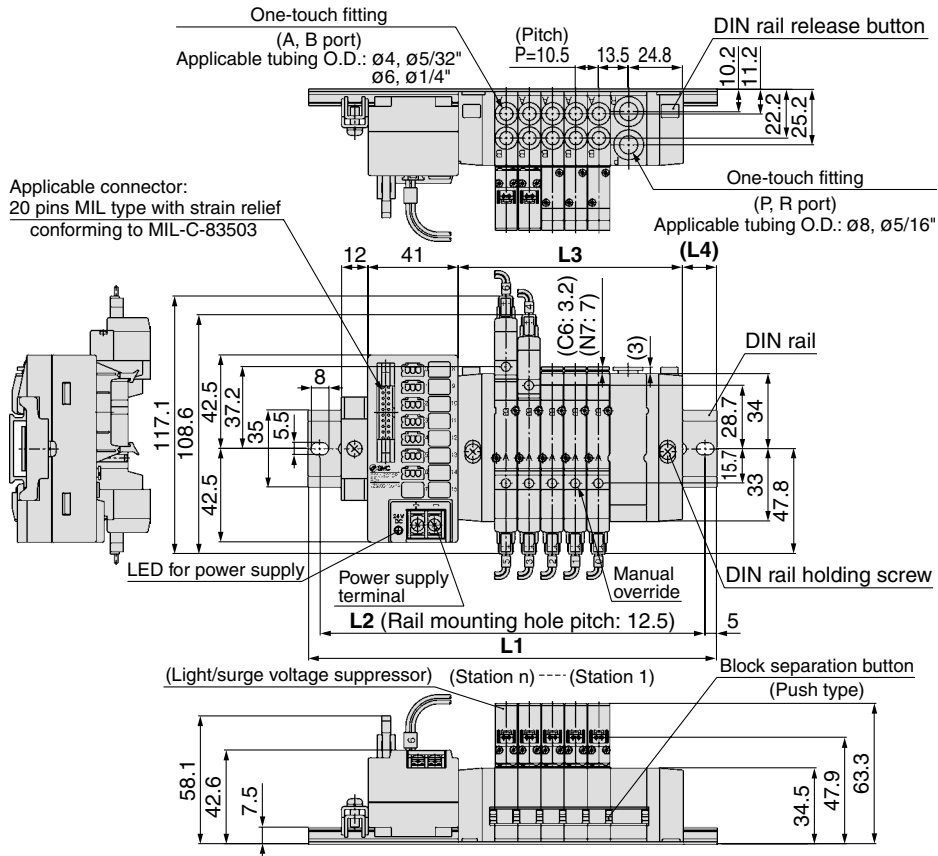
M2: 0.16N·m
M3: 0.8N·m
M4: 1.4N·m

Warning

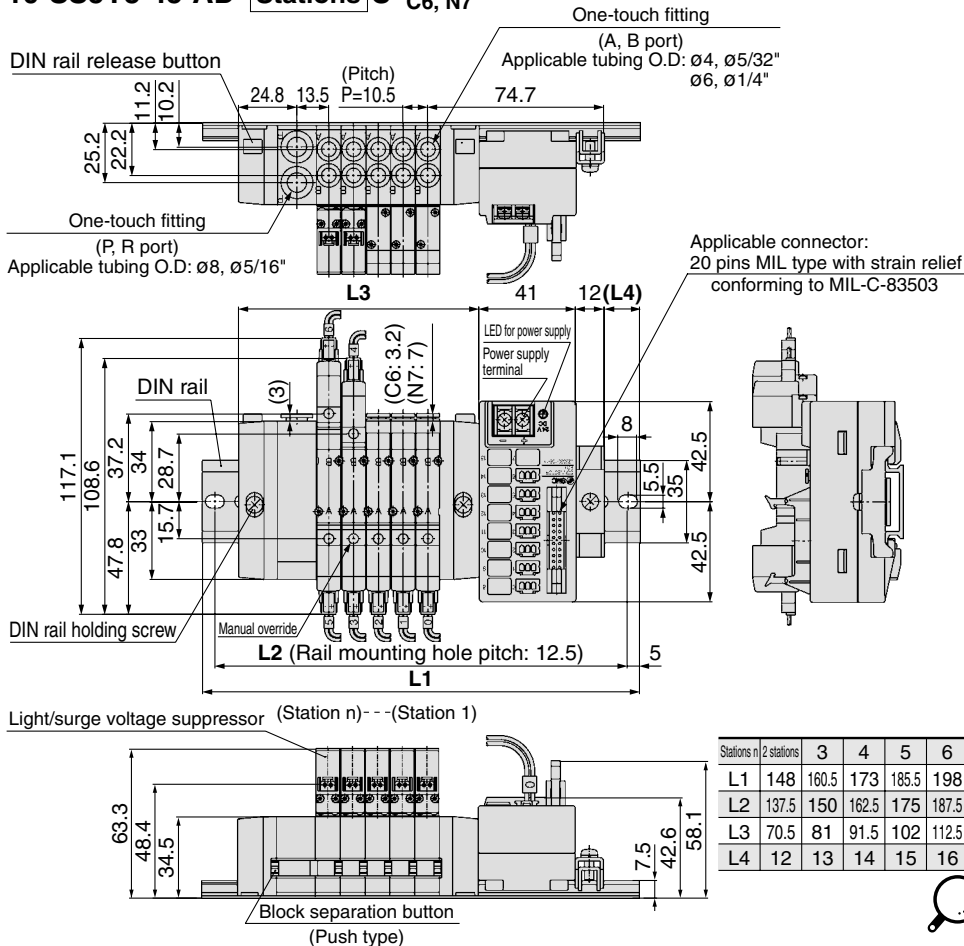
When mounting a valve or spacer on the manifold base or sub-plate, etc., those mounting directions are determined. If mounted in the wrong direction, the equipment to be connected may cause malfunction. Refer to drawing dimensions, and then mount it.

Dimensions: Series 10-SY3000

**10-SS5Y3-45-AU- Stations D- C4, N3
C6, N7**



**10-SS5Y3-45-AD- Stations U- C4, N3
C6, N7**



Stations n	2 stations	3	4	5	6	7	8	9	10	11	12	13	14	15	16 stations
L1	148	160.5	173	185.5	198	210.5	210.5	223	235.5	260.5	273	285.5	298	310.5	310.5
L2	137.5	150	162.5	175	187.5	200	200	212.5	225	250	262.5	275	287.5	300	300
L3	70.5	81	91.5	102	112.5	123	133.5	144	154.5	181.5	192	202.5	213	223.5	234
L4	12	13	14	15	16	17	12	13	14	13	14	15	16	17	11.5

* Two SUP/EXH blocks are provided for models with 11 stations or more.

Air cylinder

Rotary actuator

Air gripper

Directional control valve

Flow control equipment

Filter, Pressure control equipment

Fittings & Tubing

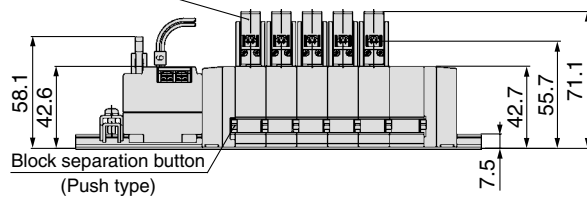
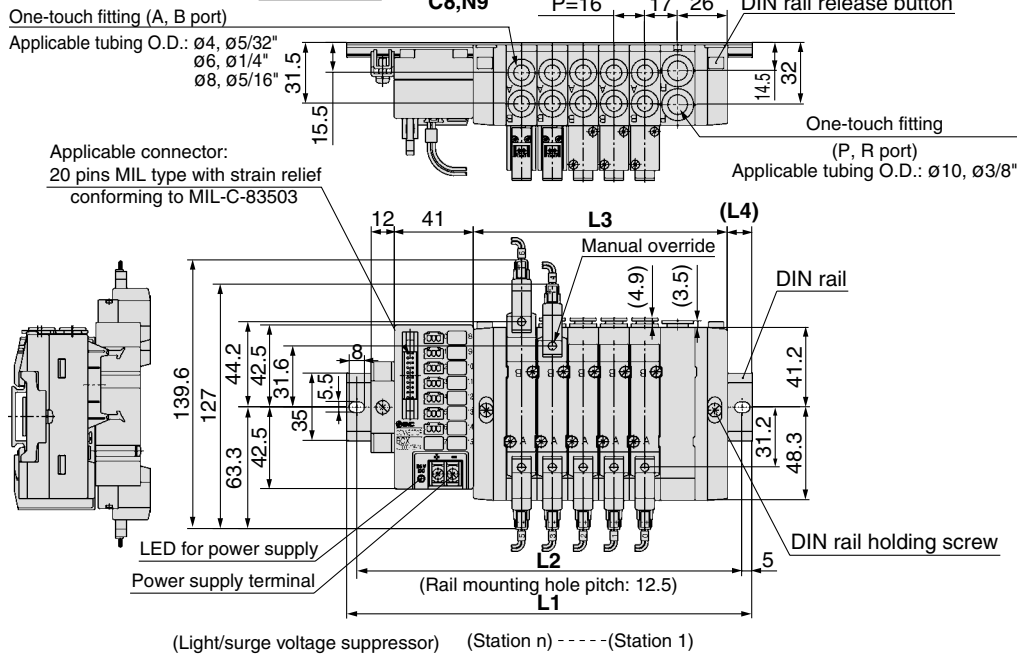
Air preparation equipment

Pressure switch

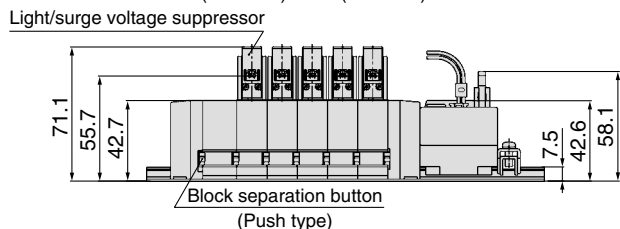
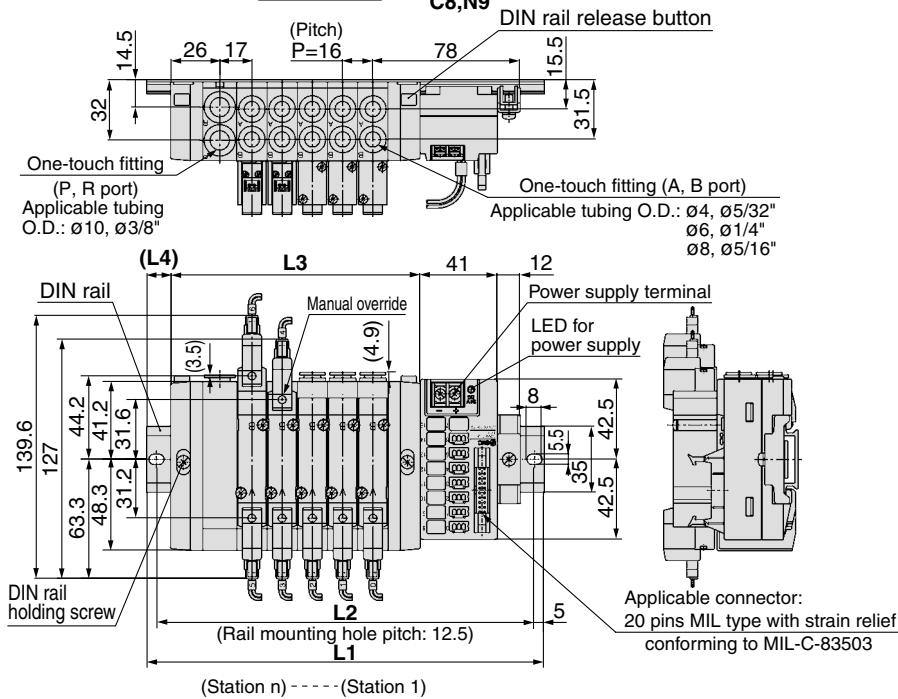
Clean gas filter

Dimensions: Series 10-SY5000

10-SS5Y5-45-AU- Stations D - C4,N3
C6,N7
C8,N9



10-SS5Y5-45-AD- Stations U - C4,N3
C6,N7
C8,N9



Stations n	2 stations	3	4	5	6	7	8	9	10	11	12	13	14	15	16 stations
L1	160.5	185.5	198	210.5	235.5	248	260.5	273	298	323	348	360.5	373	398	410.5
L2	150	175	187.5	200	225	237.5	250	262.5	287.5	312.5	337.5	350	362.5	387.5	400
L3	84	100	116	132	148	164	180	196	212	246	262	278	294	310	326
L4	11.5	16	14.5	12.5	17	15.5	13.5	12	16.5	12	16.5	14.5	13	17.5	15.5

* Two SUP/EXH blocks are provided for models with 11 stations or more.

Series 10-SY300/500 Mixed mounting type on 5 port valve manifold

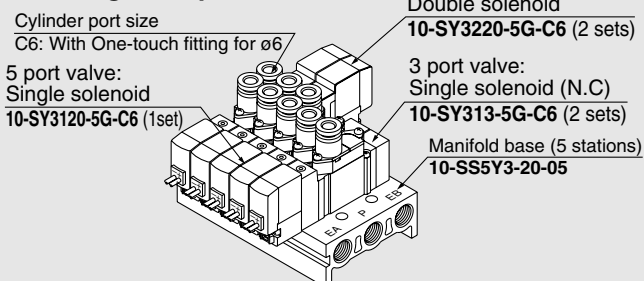
3 port valve can be mounted on manifold for 5 port valve.

Application

Possible to be mounted on all kinds of manifolds for Series 10-SY3000/5000. Refer to "How to Order Manifolds" for details.

How to Order Valve Manifold Assembly

Ordering example



10-SS5Y3-20-05	1 set (Type 20, 5 station manifold base part no.)
* 10-SY313-5G-C6	2 sets (3 port valve, type N.C part no.)
* 10-SY3120-5G-C6	1 set (5 port valve, single solenoid part no.)
* 10-SY3220-5G-C6	2 sets (5 port valve, double solenoid part no.)

→ The asterisk denotes the symbol for assembly. Prefix it to the part nos. of the solenoid valve, etc.

Add the valve and option part number under the manifold base part number. When the arrangement will be complicated, fill out the manifold specification sheet to instruct SMC.

Air cylinder

Rotary actuator

Air gripper

Directional control valve

Flow control equipment

Filter, Pressure control equipment

Fittings & Tubing

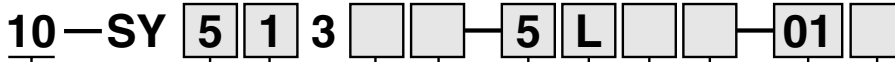
Air preparation equipment

Pressure switch

Clean gas filter

Body ported / How to Order Valve

Individual wiring: For 10-SS5Y₅³-20



Clean series Series

3	10-SY300
5	10-SY500

Type of actuation

1	Normally closed (N.C.)
2	Normally open (N.O.)

Solenoid type

Nil	Single solenoid
D	Double solenoid

Coil specifications

Nil	Standard
T	With power saving circuit <24 and 12 VDC only>

* Power saving circuit is not available in the case of "D", "DO" or "W□" type.

Rated voltage

DC specifications		AC specifications	
5	24 VDC	1	100 VAC
6	12 VDC	2	200 VAC
V	6 VDC	3	110 VAC [115 VAC]
S	5 VDC	4	220 VAC [230 VAC]
R	3 VDC		

* DC specifications of type "D" and "DO" is only available with 12 and 24 VDC.
* For type "W□", only DC voltage is available.

Electrical entry

24, 12, 6, 5, 3 VDC / 100, 110, 200, 220 VAC			24, 12 VDC / 100, 110, 200, 220 VAC	24, 12 VDC / 6, 5, 3 VDC
Grommet	L plug connector	M plug connector	DIN terminal	M8 connector
G: Lead wire length 300 mm	L: With lead wire (length 300 mm)	M: With lead wire (length 300 mm)	D: With connector	WO: Without connector cable
H: Lead wire length 600 mm	LN: Without lead wire	MN: Without lead wire	DO: Without connector	W□: With connector cable ^{Note 1)}
	LO: Without connector	MO: Without connector		

* LN, MN types: with 2 sockets. * For connector cable of M8 connector, refer to page 490.
* Refer to page 488 for Series 10-SY300 DIN terminal.
* DIN terminal type "Y" conforming to EN-175301-803C (former DIN43650C) is also available. For details, refer to page 482. Note 1) Please enter a symbol of a cable length with reference to page 491.

Note) When placing an order for body ported solenoid valve as a single unit, mounting bolt for manifold and gasket are not attached. Order them separately, if necessary. (For details, refer to page 413.)

Thread type

Nil	Rc
F	G
N	NPT
T	NPTF

* Except M5

A port size Thread piping

Symbol	Port size	Applicable series
M5	M5 x 0.8	10-SY300
01	1/8	10-SY500

One-touch fitting (Metric size)

Symbol	Port size	Applicable series
C4	One-touch fitting for ø4	10-SY300
C6	One-touch fitting for ø6	10-SY300
C6	One-touch fitting for ø6	10-SY500
C8	One-touch fitting for ø8	10-SY500

One-touch fitting (Inch size)

Symbol	Port size	Applicable series
N3	One-touch fitting for ø 9/32"	10-SY300
N7	One-touch fitting for ø 1/4"	10-SY300
N7	One-touch fitting for ø 1/4"	10-SY500
N9	One-touch fitting for ø 9/16"	10-SY500

Manual override

Nil	Non-locking push type
D	Push-turn locking slotted type
E	Push-turn locking lever type

Light/surge voltage suppressor

Electrical entry for G, H, L, M, W

Nil	Without surge voltage suppressor
S	With surge voltage suppressor
Z	With light/surge voltage suppressor
R	With surge voltage suppressor (Non-polar type)
U	With light/surge voltage suppressor (Non-polar type)

* For AC voltage valves, there is no "S" option. It is already built-in to the rectifier circuit.
* For "R" and "U", only DC voltage is available.
* Power saving circuit is only available in the "Z" type.

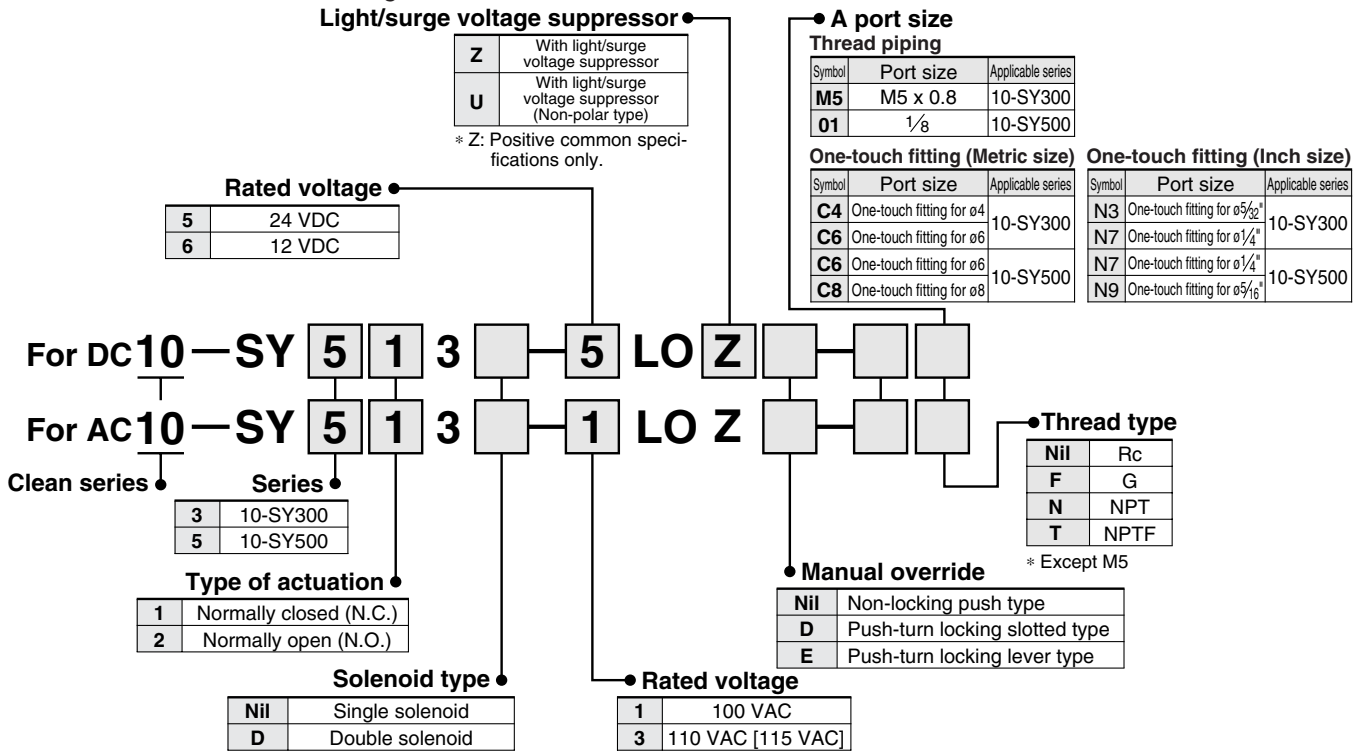
Electrical entry for D (Only 10-SY500)

Nil	Without light/surge voltage suppressor
S	With surge voltage suppressor
Z	With light/surge voltage suppressor

* "DOZ" is not available.
* For AC voltage valves, there is no "S" option. It is already built-in to the rectifier circuit.

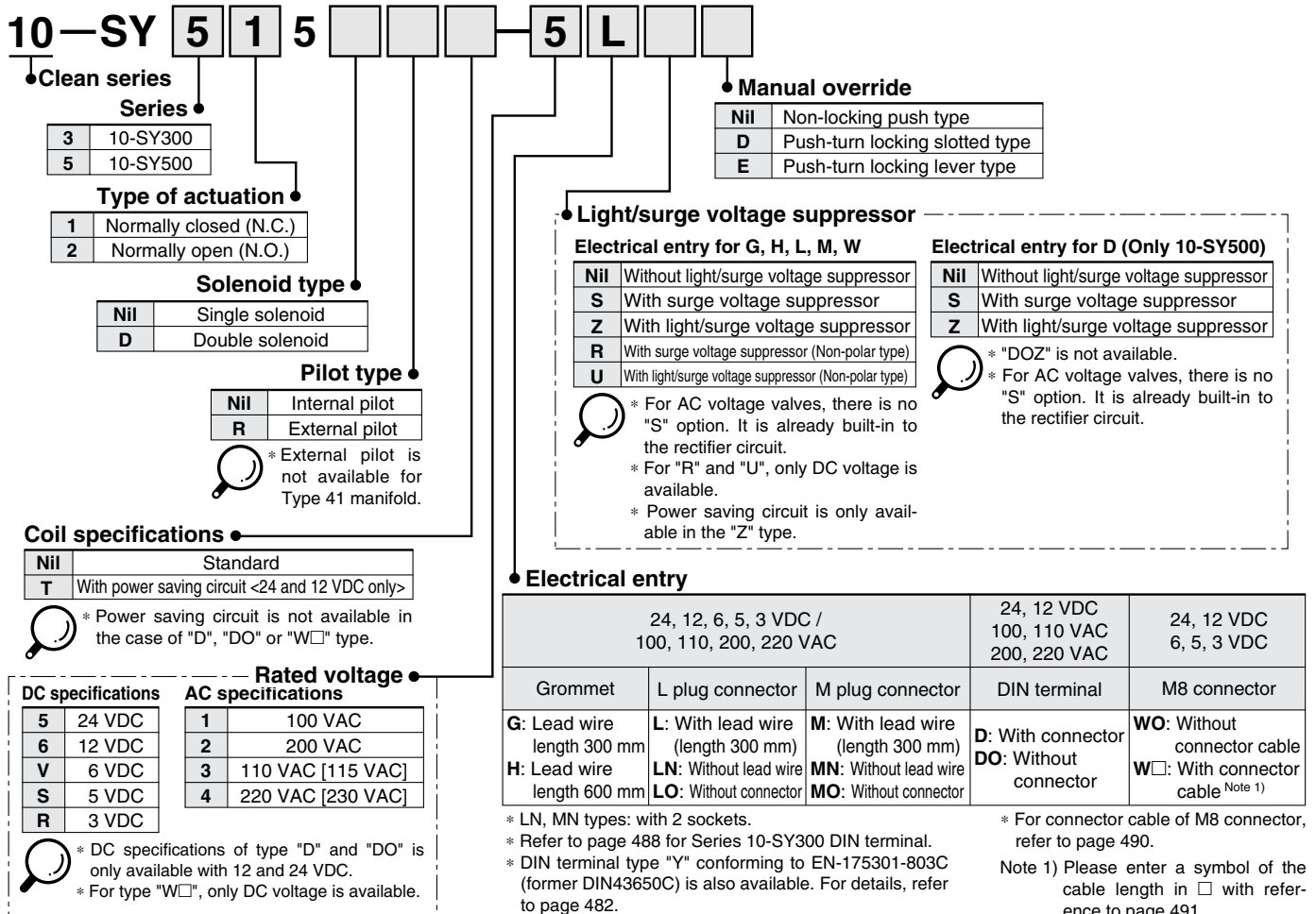
Body Ported / How to Order Valves

Flat ribbon cable: 10-SS5Y³-20P



Base Mounted / How to Order Valves

Individual wiring: For 10-SS5Y³-41/42/45 type



Air cylinder
Rotary actuator
Air gripper
Directional control valve
Flow control equipment
Filter, Pressure control equipment
Fittings & Tubing
Air preparation equipment
Pressure switch
Clean gas filter

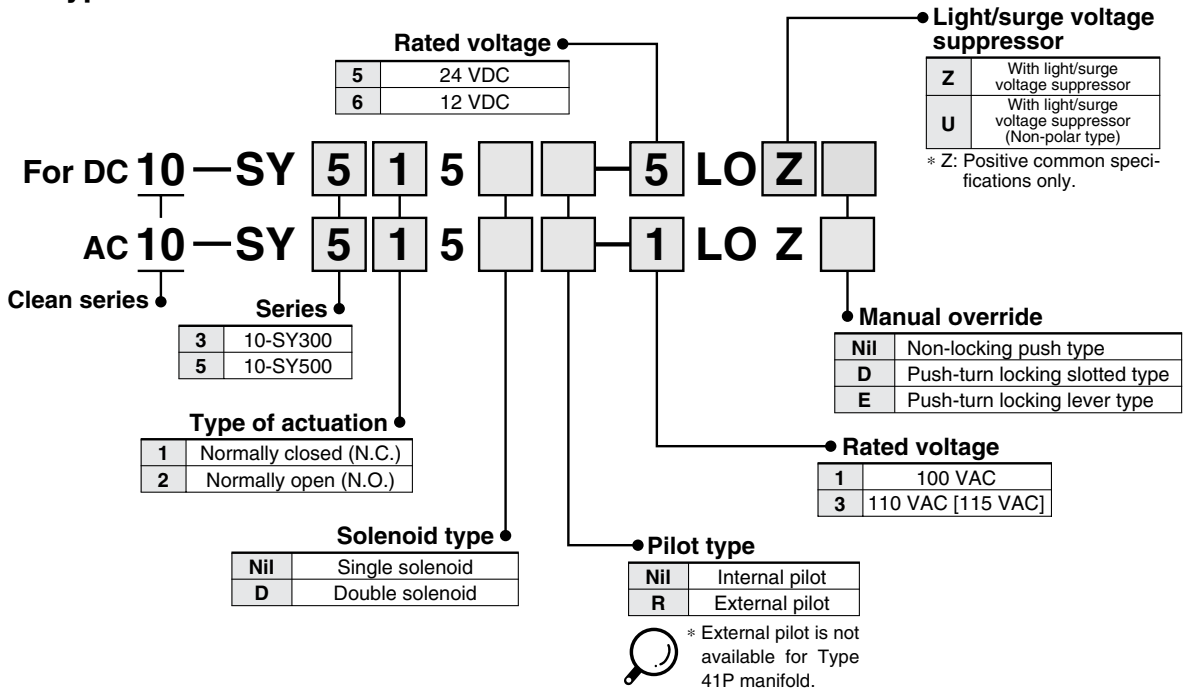
3 port valve **10-SY300/500**

Base Mounted / How to Order Valve

Flat ribbon cable:
Connector box type: For 10-SS5Y³₅-41P/42P/45-A

41P/42P
45-A

41P/42P



Series 10-SY3000/5000

Type 45

Made to Order Specifications
External pilot

External pilot manifold bases for low-pressure/vacuum use are added to stacking style/DIN rail manifolds.

Individual wiring / Connector box type

How to Order Manifold

Type 45
10-SS5Y³₅-45(-A)-05 U R C6

Clean series

Series	Applicable series
3	10-SY3000
5	10-SY5000

Valve stations

Symbol	Stations
02	2 stations
⋮	⋮
20	20 stations

The number of blanking plate assembly is included.

SUP/EXH block assembly mounting position

Symbol	Mounting position	Stations
U	U side	2 to 10 stations
D	D side	
B	Both sides	
M	Special specifications	

For special specifications, indicate separately on the manifold specification sheet.

SUP/EXH block assembly specifications

Symbol	Specifications
R	External pilot specifications

Option

When a DIN rail longer than the specified stations is required, specify the station number. (20 stations maximum)

A, B port size

One-touch fitting (Metric size)

Symbol	Port size	Applicable series
C4	One-touch fitting for ø4	10-SY3000
C6	One-touch fitting for ø6	
M	Mixed	10-SY5000
C4	One-touch fitting for ø4	
C6	One-touch fitting for ø6	
C8	One-touch fitting for ø8	
M	Mixed	

One-touch fitting (Inch size)

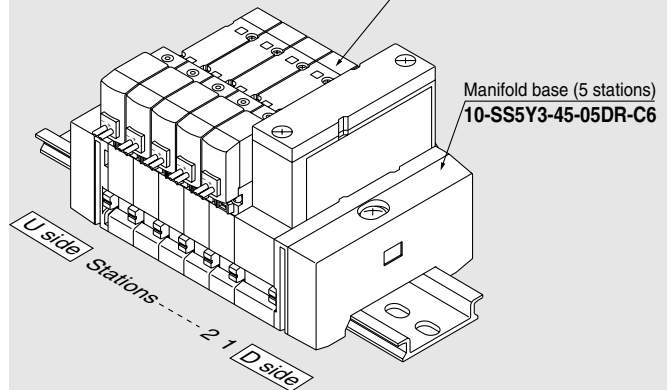
Symbol	Port size	Applicable series
N3	One-touch fitting for ø 5/32"	10-SY3000
N7	One-touch fitting for ø 1/4"	
M	Mixed	10-SY5000
N3	One-touch fitting for ø 5/32"	
N7	One-touch fitting for ø 1/4"	
N9	One-touch fitting for ø 5/16"	
M	Mixed	

* In the case of mixed specifications, indicate separately on the manifold specification sheet.

How to Order Valve Manifold Assembly

Ordering example

Single solenoid (External pilot specifications)
10-SY3140R-5G(5set)



10-SS5Y3-45-05DR-C6.....1 set (external pilot specifications part no.)
* 10-SY3140R-5G.....5 sets (Single solenoid part number)
→ The asterisk denotes the symbol for assembly. Prefix it to the part nos. of the solenoid valve, etc.

The valve arrangement is numbered as the 1st. station from D side regardless of the mounting position of SUP/EXH block assembly. In ordering, specify the part nos. in the order from the 1st. station on D side. Besides, when the arrangement will be complicated, fill out the manifold specification sheet to instruct SMC. For manifolds with SUP/EXH block assembly at each end of the manifold, external pilot ports will be also located at each end of the manifold.

How to Order Valves

10 — SY 5 2 40 □ □ — 5 L □ □

• Clean series

Series

3	10-SY3000
5	10-SY5000

Type of actuation

1	2 position single
2	2 position double
3	3 position closed center
4	3 position exhaust center
5	3 position pressure center

Pilot type

Nil	Internal pilot
R	External pilot

Coil specifications

Nil	Standard
T	With power saving circuit <only 24 and 12 VDC>

* Power saving circuit is not available in the case of "D", "DO" or "W□" type.

Rated voltage

DC specifications	
5	24 VDC
6	12 VDC
V	6 VDC
S	5 VDC
R	3 VDC

AC specifications (50/60 Hz)	
1	100 VAC
2	200 VAC
3	110 VAC [115 VAC]
4	220 VAC [230 VAC]

* DC specifications of type "D" and "DO" is only available with 12 and 24 VDC.
 * For type "W□", only DC voltage is available.
 * "D" and "DO" types are only available for SY5000.

• Manual override

Nil	Non-locking push type
D	Push-turn locking slotted type
E	Push-turn locking lever type

• Light/surge voltage suppressor

Electrical entry for G, H, L, M, W

Nil	Without light/surge voltage suppressor
S	With surge voltage suppressor
Z	With light/surge voltage suppressor
R	With surge voltage suppressor (Non-polar type)
U	With light/surge voltage suppressor (Non-polar type)

* For AC voltage valves, there is no "S" option. It is already built-in to the rectifier circuit.
 * For "R" and "U", only DC voltage is available.
 * Power saving circuit is only available in the "Z" type.

Electrical entry for D (SY5000 only)

Nil	Without light/surge voltage suppressor
S	With surge voltage suppressor (Non-polar type)
Z	With light/surge voltage suppressor (Non-polar type)

* "DOZ" is not available.
 * For AC voltage valves, there is no "S" option. It is already built-in to the rectifier circuit.

• Electrical entry

24, 12, 6, 5, 3 VDC / 100, 110, 200, 220 VAC			24, 12 VDC 100, 110 VAC 200, 220 VAC	24, 12 VDC 6, 5, 3 VDC
Grommet	L plug connector	M plug connector	DIN terminal	M8 Connector
G: Lead wire length 300 mm H: Lead wire length 600 mm	L: With lead wire (length 300 mm) LN: Without lead wire LO: Without connector	M: With lead wire (length 300 mm) MN: Without lead wire MO: Without connector	(10-SY5000 only) D: With connector DO: Without connector	WO: Without connector cable W□: With connector cable ^{Note 1)}

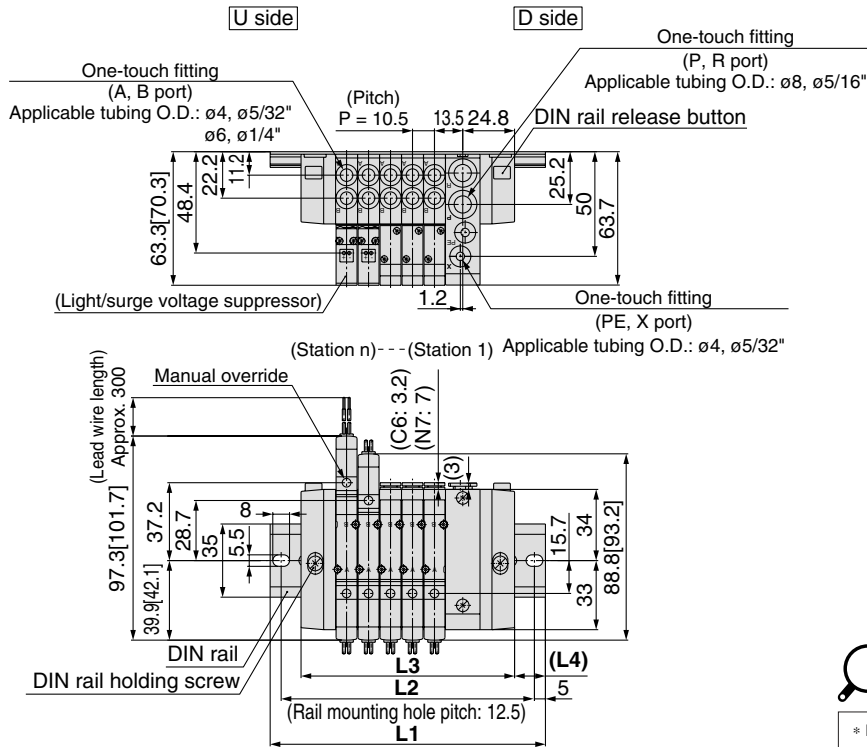
* LN, MN: with 2 sockets
 * "D" and "DO" only available for 10-SY5000.
 * DIN terminal type "Y" conforming to EN-175301-803C (former DIN43650C) is also available. For details, refer to page 482.
 * Setting "-5LOU" is available only for connector box type.
 * For connector cable of M8 connector, refer to page 490.
 Note 1) Please enter a symbol of the cable length in □ with reference to page 491.

External Pilot



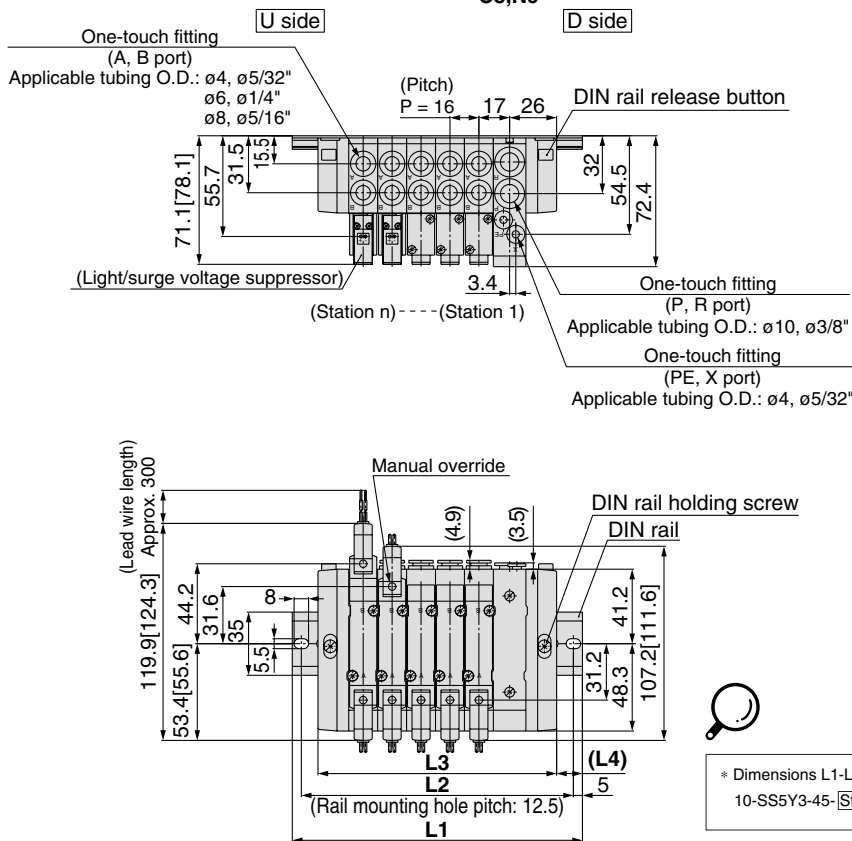
(Note) []: AC

10-SY3000: 10-SS5Y3-45- Stations DR-^{C4,N3}_{C6,N7}



* Dimensions L1-L4 are the same as those of 10-SS5Y3-45- Stations ^{U, C4,N3}_{D, C6,N7}

10-SY5000: 10-SS5Y5-45- Stations DR-^{C4,N3}_{C6,N7}
^{C8,N9}



* Dimensions L1-L4 are the same as those of 10-SS5Y3-45- Stations ^{U, C4,N3}_{D, C6,N7}
^{C8,N9}

* Dimensions of 10-SS5Y³-45- Stations-UR are the same as those of 10-SS5Y³-45- Stations-DR.

Air cylinder

Rotary actuator

Air gripper

Directional control valve

Flow control equipment

Filter, Pressure control equipment

Fittings & Tubing

Air preparation equipment

Pressure switch

Clean gas filter

Series 10-SY3000/5000

Type M45

Made to Order Specifications
Mixed mounting

Non plug-in type

10-SY3000 can be mounted on 10-SY5000 base.

How to Order Manifolds

Type M45 (Mixed mounting type)

10-SS5Y5-M45-05 U C86

Clean series

Mixed mounting type

Valve stations

Symbol	Stations
02	2 stations
⋮	⋮
20	20 stations

The number of blanking plate assemblies is also included.

SUP/EXH block assembly mounting position

Symbol	Mounting position	Stations
U	U side	2 to 10 stations
D	D side	
B	Both sides	2 to 20 stations
M	Special specifications	

For special specifications, indicate separately on the manifold specification sheet.

Option

When a DIN rail longer than the specified stations is required, specify the station number. (20 stations maximum)

A, B port size

One-touch fitting (Metric size)

Symbol	Port size
C44	SY5000: One-touch fitting for $\phi 4$ SY3000: One-touch fitting for $\phi 4$
C46	SY5000: One-touch fitting for $\phi 4$ SY3000: One-touch fitting for $\phi 6$
C64	SY5000: One-touch fitting for $\phi 6$ SY3000: One-touch fitting for $\phi 4$
C66	SY5000: One-touch fitting for $\phi 6$ SY3000: One-touch fitting for $\phi 6$
C84	SY5000: One-touch fitting for $\phi 8$ SY3000: One-touch fitting for $\phi 4$
C86	SY5000: One-touch fitting for $\phi 8$ SY3000: One-touch fitting for $\phi 6$
M	Mixed

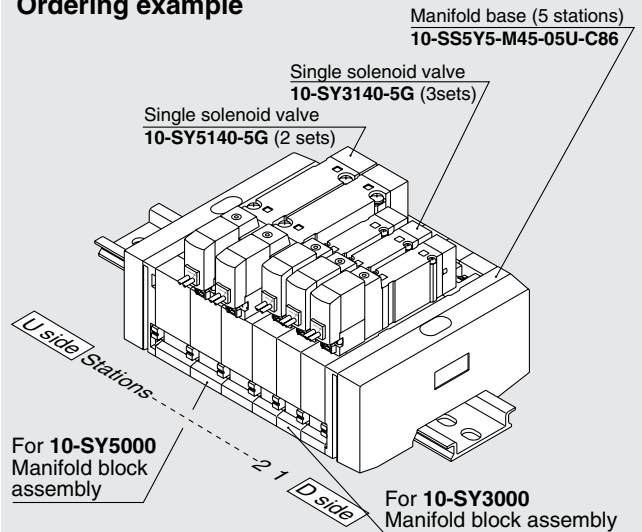
One-touch fitting (Inch size)

Symbol	Port size
N33	SY5000: One-touch fitting for $\phi 5/32$ " SY3000: One-touch fitting for $\phi 5/32$ "
N37	SY5000: One-touch fitting for $\phi 5/32$ " SY3000: One-touch fitting for $\phi 1/4$ "
N73	SY5000: One-touch fitting for $\phi 1/4$ " SY3000: One-touch fitting for $\phi 5/32$ "
N77	SY5000: One-touch fitting for $\phi 1/4$ " SY3000: One-touch fitting for $\phi 1/4$ "
N93	SY5000: One-touch fitting for $\phi 5/16$ " SY3000: One-touch fitting for $\phi 5/32$ "
N97	SY5000: One-touch fitting for $\phi 5/16$ " SY3000: One-touch fitting for $\phi 1/4$ "
M	Mixed

* In the case of mixed specifications, indicate separately on the manifold specification sheet.

How to Order Valve Manifold Assembly

Ordering example



For 10-SY5000
Manifold block
assembly

For 10-SY3000
Manifold block
assembly

10-SS5Y5-M45-05U-C861set (Type M45 manifold base part no.)
* **10-SY3140-5G**3 sets (Single solenoid part no.)
* **10-SY5140-5G**2 sets (Single solenoid part no.)
The asterisk denotes the symbol for assembly.
Prefix it to the part nos. of the solenoid valve, etc.

The valve arrangement is numbered as the 1st. station from D side regardless of the mounting position of SUP/EXH block assembly. In ordering, specify the part nos. in the order from the 1st. station on D side. Besides, when the arrangement will be complicated, fill out the manifold specification sheet to instruct SMC.

How to Order Valves

10-SY 5 2 40 5 L

Clean series

Series

3	10-SY3000
5	10-SY5000

Actuation

1	2 position single
2	2 position double
3	3 position closed center
4	3 position exhaust center
5	3 position pressure center

Coil specifications

Nil	Standard
T	With power saving circuit <only 24V and 12 VDC>

* Power saving circuit is not available in the case of "D", "DO" or "W□" type.

Manual override

Nil	Non-locking push type
D	Push-turn locking slotted type
E	Push-turn locking lever type

Electrical entry for G, H, L, M, W

Nil	Without light/surge voltage suppressor
S	With surge voltage suppressor
Z	With light/surge voltage suppressor
R	With surge voltage suppressor (Non-polar type)
U	With light/surge voltage suppressor (Non-polar type)

* For AC voltage valves, there is no "S" option. It is already built-in to the rectifier circuit.

* For "R" and "U", DC voltage is only available.

* Power saving circuit is only available in the "Z" type.

Electrical entry

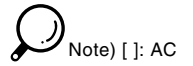
24, 12, 6, 5, 3 VDC / 100, 110, 200, 220 VAC			24, 12, 6, 5, 3 VDC
Grommet	L plug connector	M plug connector	M8 connector
G: Lead wire length 300 mm	L: With lead wire (length 300 mm)	M: With lead wire (length 300 mm)	WO: Without connector cable
H: Lead wire length 600 mm	LN: Without lead wire LO: Without connector	MN: Without lead wire MO: Without connector	W□: With connector cable ^{Note 1)}

* LN, MN: with 2 sockets

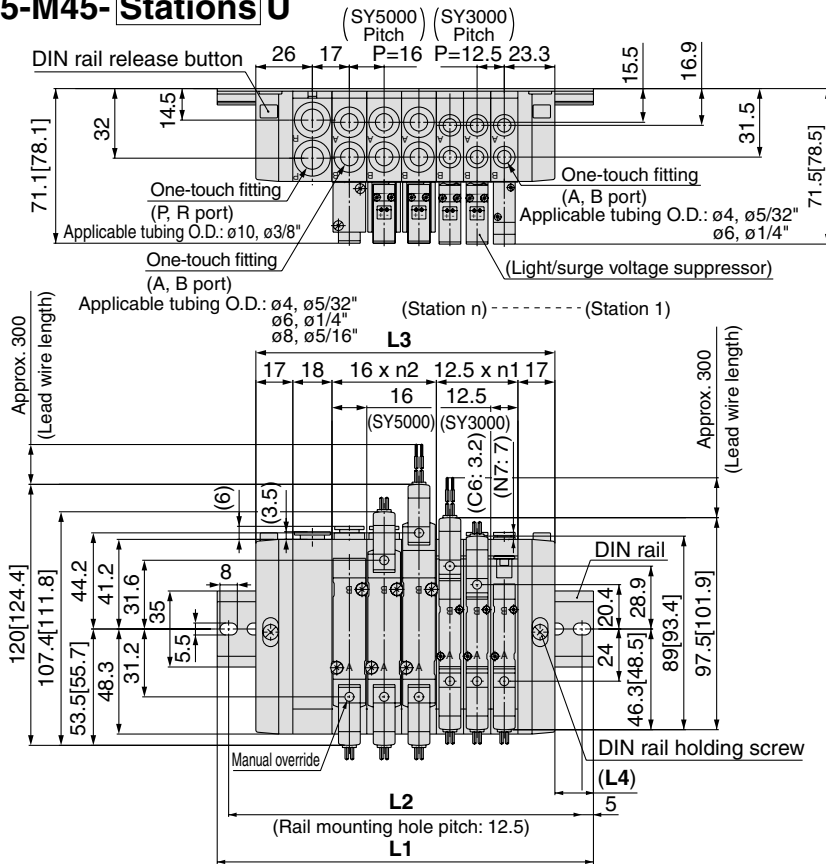
* For connector cable of M8 connector, refer to page 490.

Note 1) Please enter a symbol of the cable length in □ with reference to page 491.

Dimensions: Mixed Mounting



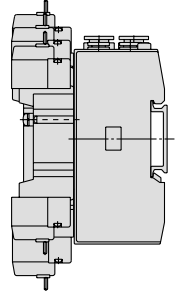
10-SS5Y5-M45- **Stations U**



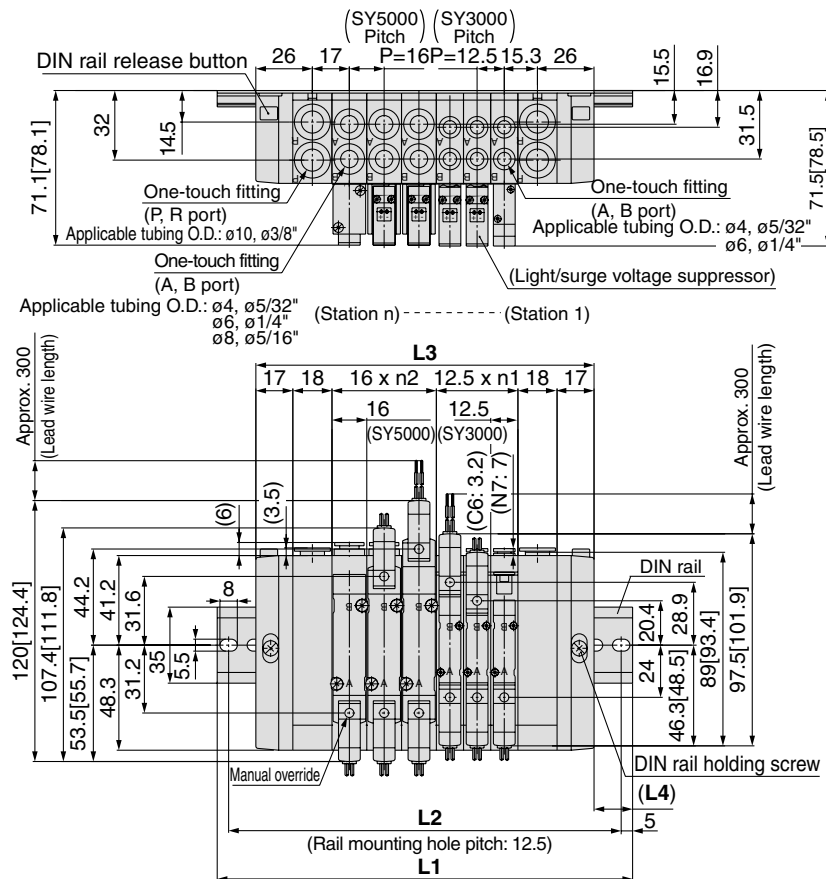
L dimension: Formulae for L1 to L4
 $L3 = 12.5 \times n1 + 16 \times n2 + 52$
 $M = \left(\frac{L3}{12.5} + 1 \right)$ Omit decimals
 $L1 = 12.5 \times M + 23$
 $L2 = L1 - 10.5$
 $L4 = (L1 - L3)/2$

n1: Number of 10-SY3000
 n2: Number of 10-SY5000

* The L1 to L4 dimensions of 10-SS5Y5-M45 **Stations D** are identical to those of 10-SS5Y5-M45 **Stations U**.

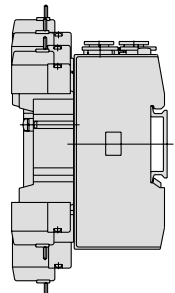


10-SS5Y5-M45- **stations B**



L dimension: Formula for L1 to L4
 $L3 = 12.5 \times n1 + 16 \times n2 + 70$
 $M = \left(\frac{L3}{12.5} + 1 \right)$ Omit decimals
 $L1 = 12.5 \times M + 23$
 $L2 = L1 - 10.5$
 $L4 = (L1 - L3)/2$

n1: Number of 10-SY3000
 n2: Number of 10-SY5000



- Air cylinder
- Rotary actuator
- Air gripper
- Directional control valve
- Flow control equipment
- Filter, Pressure control equipment
- Fittings & Tubing
- Air preparation equipment
- Pressure switch
- Clean gas filter

Series 10-SY5000/7000/9000/500

Made to Order Specifications
DIN terminal type conforming
to EN-175301-803C (former DIN 43650C) standard

DIN terminal type conforming to DIN 43650C (DIN pitch 8mm) standard

How to Order Valves

Series

5	10-SY500
---	----------

Type of actuation

1	Normally open
2	Normally closed

Type of actuation

3	Body ported
5	Base mounted

A port size

Symbol	Port size
Nil	Base mounted
01	1/8
C4	One-touch fitting for ø4
C6	One-touch fitting for ø6
C8	One-touch fitting for ø8
N3	One-touch fitting for ø5/32"
N7	One-touch fitting for ø1/4"
N9	One-touch fitting for ø5/16"

Thread type

Nil	Rc
F	G
N	NPT
T	NPTF

Series

5	10-SY5000
7	10-SY7000
9	10-SY9000

Type of actuation

1	2 position single
2	2 position double
3	3 position closed center
4	3 position exhaust center
5	3 position pressure center

Body type

2	Body ported
4	Base mounted

Pilot type

Nil	Internal pilot
R	External pilot

* R: Base mounted type only

Rated voltage

DC	
5	24 VDC
6	12 VDC

AC (50/60 Hz)	
1	100 VAC
2	200 VAC
3	110 VAC [115 VAC]
4	220 VAC [230 VAC]

Electrical entry

Y: With connector

YO: Without connector

Light/Surge voltage suppressor

Nil	Without light/surge voltage suppressor
S	With surge voltage suppressor
Z	With light/surge voltage suppressor

* "YOZ" is not available.
* For AC voltage valves, there is no "S" option. It is already built-in to the rectifier circuit.

Manual override

Nil	Non-locking push type
D	Push-turn locking slotted type
E	Push-turn locking lever type

Body ported Thread piping

Symbol	Port size	Applicable series
01	1/8	10-SY5000
02	1/8	10-SY7000
03	3/8	10-SY9000

One-touch fitting (Metric size)

Symbol	Port size	Applicable series
C4	One-touch fitting for ø4	10-SY5000
C6	One-touch fitting for ø6	
C8	One-touch fitting for ø8	10-SY7000
C8	One-touch fitting for ø8	
C10	One-touch fitting for ø10	10-SY9000
C8	One-touch fitting for ø8	
C10	One-touch fitting for ø10	
C12	One-touch fitting for ø10	

One-touch fitting (Inch size)

Symbol	Port size	Applicable series
N3	One-touch fitting for ø5/32"	10-SY5000
N7	One-touch fitting for ø1/4"	
N9	One-touch fitting for ø5/16"	10-SY7000
N9	One-touch fitting for ø5/16"	
N11	One-touch fitting for ø3/8"	10-SY9000
N9	One-touch fitting for ø5/16"	
N11	One-touch fitting for ø3/8"	

For base mounted

Symbol	Port size	Applicable series
Nil	Without sub-plate	10-SY5000
02	With sub-plate	
03	With sub-plate	10-SY7000
03	With sub-plate	10-SY7000
03	With sub-plate	10-SY9000
04	With sub-plate	10-SY9000

Note) When placing an order for body ported solenoid valve as a single unit, mounting bolt for manifold and gasket are not attached. Order them separately, if necessary.
(For details, refer to catalog on page 413.)

How to Order Pilot Valve Assembly

10-V115-5 Y

Clean series

Rated voltage

DC	
5	24 VDC
6	12 VDC

AC (50/60 Hz)	
1	100 VAC
2	200 VAC
3	110 VAC [115 VAC]
4	220 VAC [230 VAC]

Light/Surge voltage suppressor

Nil	Without light/surge voltage suppressor
S	With surge voltage suppressor
Z	With light/surge voltage suppressor

* "YOZ" is not available.
* For AC voltage valves, there is no "S" option. It is already built-in to the rectifier circuit.

Electrical entry

Y	DIN terminal	With connector
YO	DIN terminal	Without connector

DIN terminal part no.

Without light		SY100-82-1
With light		
Rated voltage	Voltage symbol	Part no.
24 VDC	24VN	SY100-82-3-05
12 VDC	12VN	SY100-82-3-06
100 VAC	100VN	SY100-82-3-01
200 VAC	200VN	SY100-82-3-02
110 VAC [115 VAC]	110VN	SY100-82-3-03
220 VAC [230 VAC]	220VN	SY100-82-3-04

Caution

- Use caution in wiring because IP65 (enclosure) standard cannot be met if the cable other than the specified cable (ø3.5 to ø7.5) is used. Observe the specified torque range when tightening the ground nuts or holding screws. For DIN terminals (wiring procedures, procedures for changing electrical entries, precautions, applicable cable, circuit diagram), refer to pages 487 and 488.
- Type D, DIN terminal with 9.4 mm pitch between terminals is not interchangeable.
- To distinguish from the type D, DIN connector, "N" is listed at the end of voltage symbol. (For connector parts without lights, "N" is not indicated. Please refer to the name plate to distinguish.)
- Dimensions are the same as those of Type D connector.
- When replacing a pilot valve assembly only, "10-V115-□□" is interchangeable with "10-V115-□□". Do not replace 10-V111 (G, L, M) with 10-V115-□□/□□ (DIN terminal), and vice versa.

Series 10-SY3000/5000/7000/9000

Made to order specifications
Main valve / Fluoro rubber

Main valve / Fluoro rubber

Fluoro rubber is used for rubber parts of the main valve to allow use in applications such as the following.

- When using a lubricant other than the recommended turbine oil, and there is a possibility of malfunction due to swelling of the spool valve seals.

Applicable solenoid valve series 10-SY3 $\frac{2}{6}$ 0, 10-SY5 $\frac{2}{6}$ 0, 10-SY7 $\frac{2}{6}$ 0, 10-SY9 $\frac{2}{6}$ 0

Model no. 10-SY $\frac{3}{5/7/9}$ $\frac{20}{40/60}$ - \square \square \square \square \square \square -X90

• Clean series

• Entry is the same as standard products.
Specifications and performance are the same as standard products.

Air cylinder

Rotary actuator

Air gripper

Directional control valve

Flow control equipment

Filter, Pressure control equipment

Fittings & Tubing

Air preparation equipment

Pressure switch

Clean gas filter



Series 10-SY

Specific Product Precautions 1

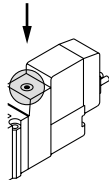
Be sure to read before handling.

Manual override operation

Warning

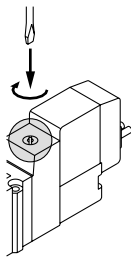
Non-locking push type [Standard type]

Press in the direction of the arrow.

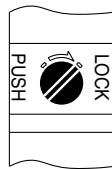


Push-turn locking slotted type [Type D]

While pressing, turn in the direction of the arrow. If it is not turned, it can be operated the same way as the non-locking type.



Locked position



Caution

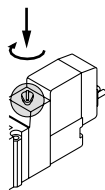
When operating the locking type D with a screwdriver, turn it gently using a watchmaker's screwdriver..

[Torque: Less than 0.1 N·m]

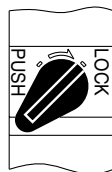
Push-turn locking lever type [Type E]

While pressing, turn in the direction of the arrow.

If it is not turned, it can be operated the same way as the non-locking type.



Locked position



Caution

When locking the manual override on the push-turn locking types (D, E), be sure to push it down before turning.

Turning without first pushing it down can cause damage to the manual override and trouble such as air leakage, etc.

Solenoid valve for 200/220 VAC specifications

Warning

Solenoid valves with grommet and L/M type plug connector AC specifications have a built-in rectifier circuit in the pilot section to operate the DC coil.

With 200/220 VAC specification pilot valves, this built-in rectifier generates heat when energized. The surface may become hot depending on the energized condition. Therefore, do not touch the solenoid valves.

Exhaust throttle

Caution

With series 10-SY, the pilot valve and main valve share a common exhaust inside the valve. Therefore, do not block the exhaust port when arranging the piping.

Series 10-SY3000, 5000, 7000, 9000 Used as a 3 port valve

Caution

In the case of using a 5 port valve as a 3 port valve Series 10-SY 3000/5000/7000/9000 can be used as normally closed (N.C.) or normally open (N.O.) 3 port valves by closing one of the cylinder ports (A or B) with a plug. However, they should be used with the exhaust ports kept open. (Refer to pages 473 to 476 for dedicated 3 port solenoid valve.)

Plug position		B port	A port
Actuation		N.C.	N.O.
Number of solenoids	Single	<p>Plug (A) (B) 4 2 5 1 3 (EA) (P) (EB)</p>	<p>Plug (A) (B) 4 2 5 1 3 (EA) (P) (EB)</p>
	Double	<p>Plug (A) (B) 4 2 5 1 3 (EA) (P) (EB)</p>	<p>Plug (A) (B) 4 2 5 1 3 (EA) (P) (EB)</p>



Series 10-SY

Specific Product Precautions 2

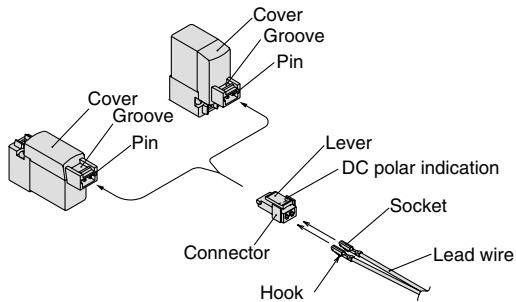
Be sure to read before handling.

How to use plug connector

⚠ Caution

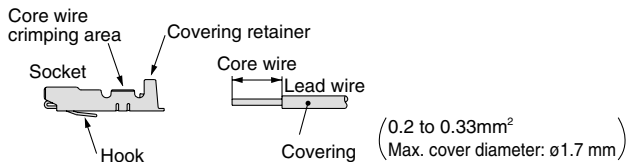
1. Attaching and detaching connectors

- To attach a connector, hold the lever and connector unit between your fingers and insert straight onto the pins of the solenoid valve so that the lever's pawl is pushed into the groove and locks.
- To detach a connector, remove the pawl from the groove by pushing the lever downward with your thumb, and pull the connector straight out.



2. Crimping connection of lead wire and socket

Strip 3.2 to 3.7 mm at the end of lead wires, insert the end of the core wires evenly into the sockets, and then crimp it by a crimping tool. When this is done, take care that the coverings of the lead wires do not enter the core wire crimping area. (Crimping tool: Model no. DXT170-75-1)



3. Attaching and detaching lead wires with sockets

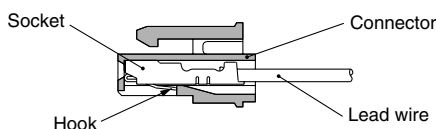
• Attaching

Insert the sockets into the square holes of the connector (+, - indication), and continue to push the sockets all the way in until they lock by hooking into the seats in the connector. (When they are pushed in, their hooks open and they are locked automatically.) Then confirm that they are locked by pulling lightly on the lead wires.

• Detaching

To detach a socket from a connector, pull out the lead wire while pressing the socket's hook with a stick having a thin tip (approx. 1 mm).

If the socket will be used again, first spread the hook outward.



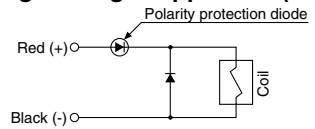
Surge voltage suppressor

⚠ Caution

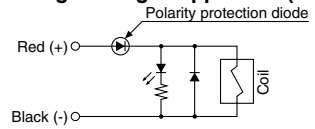
(For DC)

Grommet, L/M plug connector

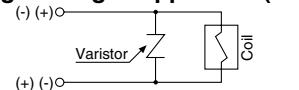
■ Standard type (With polarity) With surge voltage suppressor (□S)



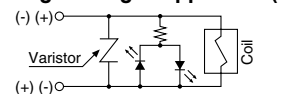
With light/surge voltage suppressor (□Z)



■ Non-polar type With surge voltage suppressor (□R)



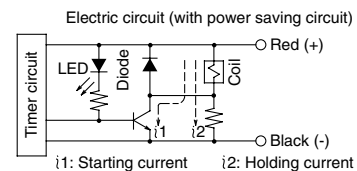
With light/surge voltage suppressor (□U)



- Connect the standard type in accordance with the +, - polarity indication. (The non-polar type can be used with the connections made either way.)
- Since voltage specifications other than standard 24 and 12 VDC do not have diodes for polarity protection, be careful not to make errors in the polarity.
- Since the valves with diode for polarity protection have a voltage drop of about 1V, be careful about allowable voltage fluctuation. (Refer to the solenoid specifications of each valve for detail.)
- When wiring is done at the factory, positive (+) is red and negative (-) is black.

■ With power saving circuit

Power consumption is decreased by 1/4 by reducing the wattage required to hold the valve in an energized state. (Effective energizing time is over 62 ms at 24 VDC.)

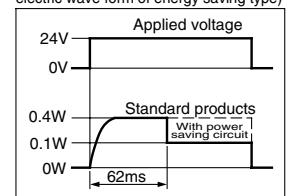


Working principle

With the above circuit, the current consumption when holding is reduced to save energy. Please refer to the electric wave data below.

- When a power saving circuit is installed, a diode to prevent reverse current is not provided. Therefore, use caution not to connect in reverse.
- Be careful about the allowable voltage fluctuation since voltage drop of about 0.5V occurs due to a transistor. (Refer to the solenoid specifications of each valve for details.)

(In the case of 10-SV³/₇**0T, the electric wave form of energy saving type)





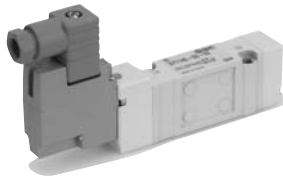
Series 10-SY

Specific Product Precautions 3

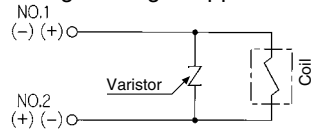
Be sure to read before handling.

Surge voltage suppressor

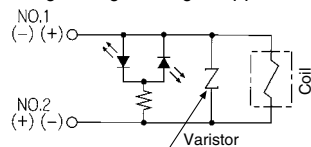
DIN terminal



With surge voltage suppressor (DS)

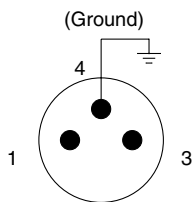


With light/surge voltage suppressor (DZ)



DIN terminal has no polarity.

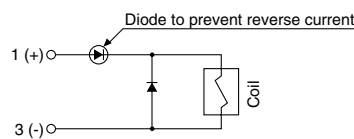
M8 connector type



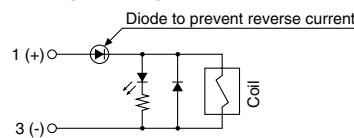
Solenoid valve side
Pin wiring diagram

Standard type (With polarity)

With surge voltage suppressor (□S)

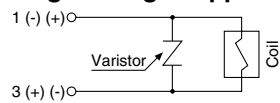


With light/surge voltage suppressor (□Z)

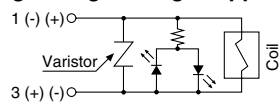


Non-polar type

With surge voltage suppressor (□R)



With light/surge voltage suppressor (□U)

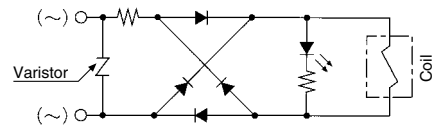


- In the case of standard type, connect + (positive) to 1 and - (negative) to 3 according the polarity.
- For DC voltage other than 12, 24 VDC, incorrect wiring will cause damage to the surge suppressor circuit. (Use caution to polarity.)
- Since the valves with diode for polarity protection have a voltage drop of about 1V, be careful about allowable voltage fluctuation. (Refer to the solenoid specifications of each valve for detail.)

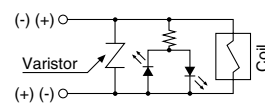
Grommet, L/M plug connector

With indicator light

GZ
LZ, LOZ, MZ, MOZ



Non-polar type (□U)

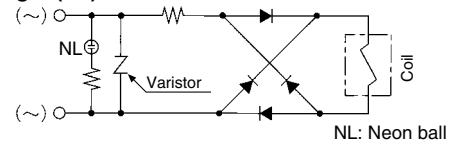


<For AC >

(There is no "S" option, because the generation of surge voltage is prevented by a rectifier.)

DIN terminal

With indicator light (DZ)



Note) Surge voltage suppressor of varistor has residual voltage corresponding to the protective element and rated voltage. Therefore, protect the controller side from the surge voltage. The residual voltage of the diode is approximately 1V.



Series 10-SY

Specific Product Precautions 4

Be sure to read before handling.

Plug connector lead wire length

⚠ Caution

Standard length is 300 mm, but the following lengths are also available.

How to Order Connector Assembly

For DC: **SY100-30-4A**

For 100 VAC: **SY100-30-1A**

For 200 VAC: **SY100-30-2A**

For other voltages of AC: **SY100-30-3A**

Without lead wire: **SY100-30-A**

(with connector and 2 of sockets only)

How to Order

Specify the part numbers of the solenoid valve without connector and the connector assembly.

<Example> Lead wire length 2000 mm

For DC	For AC
10-SY3120-5LO-M5	10-SY3120-1LO-M5
SY100-30-4A-20	SY100-30-1A-20

● Lead wire length

Nil	300mm
6	600mm
10	1000mm
15	1500mm
20	2000mm
25	2500mm
30	3000mm
50	5000mm

How to use DIN terminal

⚠ Caution

Connection

1. Loosen the holding screw and pull the connector out of the solenoid valve terminal block.
2. After removing the holding screw, insert a flat head screwdriver, etc. into the notch on the bottom of the terminal block and pry it open, separating the terminal block and the housing.
3. Loosen the terminal screws (slotted screws) on the terminal block, insert the cores of the lead wires into the terminals according to the connection method, and fasten them securely with the terminal screws.
4. Secure the cord by fastening the ground nut.

⚠ Caution

When making connections, please note that using other than the specified size (ø3.5 to ø7) cabbire cable will not satisfy IP65 (enclosure) standards. Also, be sure to tighten the ground nut and holding screw within their specified torque ranges.

Changing the entry direction

After separating terminal block and housing, the cord entry can be changed by attaching the housing in the desired direction (4 directions at 90 intervals).

* When equipped with a light, be careful not to damage the light with the cord's lead wires.

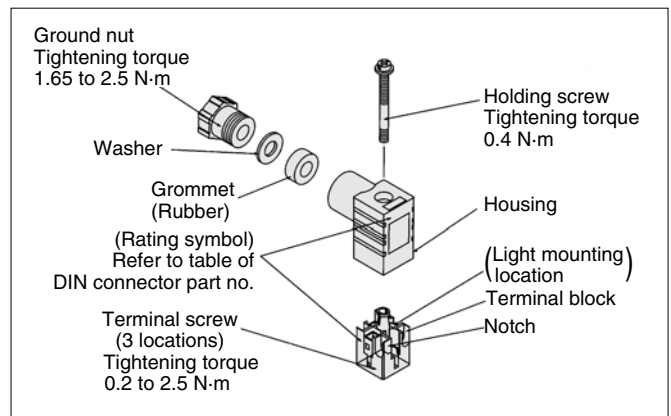
Precautions

Plug in and pull out the connector vertically without tilting to one side.

Compatible cable

Cord O.D.: ø3.5 to ø7

(Reference) 0.5 mm², 2 cores or 3 cores, equivalent to JIS C 3306





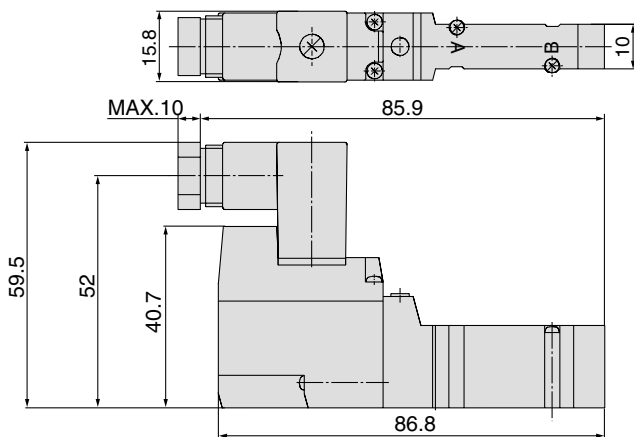
Series 10-SY Specific Product Precautions 5

Be sure to read before handling.

Series 10-SY300, 10-SY3000 How to Use DIN Terminal

⚠ Caution

- SMC can provide a DIN style terminal connector (body ported type, sub-plate type) for the series 10-SY300 and 10-SY3000. This cannot be assembled to a standard manifold since the DIN connector width (15.8 mm) exceeds that of the valve body (10 mm). Please contact SMC if you wish to use with a manifold. Please also note that brackets F1, F2 cannot be mounted.

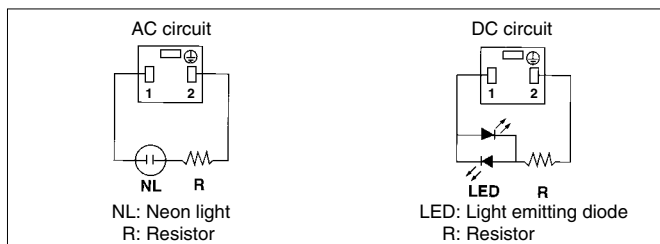


DIN connector part no.

⚠ Caution

Without light		SY100-61-1
With light		
Rated voltage	Voltage symbol	Part no.
24 VDC	24V	SY100-61-3-05
12 VDC	12V	SY100-61-3-06
100 VAC	100V	SY100-61-2-01
200 VAC	200V	SY100-61-2-02
110 VAC	110V	SY100-61-2-03
220 VAC	220V	SY100-61-2-04

Circuit diagram with light



Note) Refer to page 482 for DIN connector (Y) conforming to EN-175301-803C(former DIN43650C).

Connector assembly with cover

⚠ Caution

Connector assembly with dust proof protective cover

- Effective to prevent short circuit failure due to the entry of foreign matter into the connector.
- Chloroprene rubber for electrical use, which provides outstanding weather resistance and electrical insulation, is used for the cover material. However, do not allow contact with cutting oil, etc.
- Simple and unencumbered appearance by adopting round-shaped cord.

How to Order

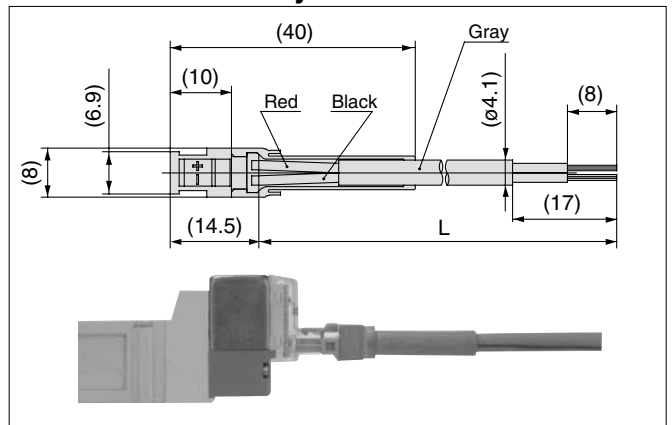
SY100-68-A



Lead wire length(L)

Nil	300mm
6	600mm
10	1000mm
15	1500mm
20	2000mm
25	2500mm
30	3000mm
50	5000mm

Connector assembly with cover: Dimensions



How to Order

Enter the part numbers for a plug connector solenoid valve without connector together with the part number for a connector assembly with cover.

<Example 1> Lead wire length of 2000 mm

10-SY3120-5LOZ-M5

SY100-68-A-20

<Example 2> Lead wire length of 300mm (Standard)

10-SY3120-5LPZ-M5

Symbol for connector assembly with cover

* In this case, part number for the connector assembly with cover is not required.



Series 10-SY

Specific Product Precautions 6

Be sure to read before handling.

DIN rail for Series 10-SY7000, 10-SY9000

⚠ Caution

The DIN rail used with Series 10-SY7000 and 10-SY9000 is stronger than that used with Series 10-SY3000 and 10-SY5000. Use this exclusive DIN rail with Series 10-SY7000 and 10-SY9000. Furthermore, if using a DIN rail other than that supplied by SMC, refer to the manifold mounting section below, and mount using the same method as prescribed for side facing and rear facing, regardless of the mounting orientation.

Manifold mounting

⚠ Caution

For Type 23, 43, 45 and 60 DIN rail mounting, when attaching a manifold to a mounting surface, etc., with bolts, if the entire bottom surface of the DIN rail contacts the mounting surface in a horizontal mounting, it can be used by simply securing both ends of the DIN rail. However, for any other mounting method or for side facing and rear facing, etc., secure the DIN rail with bolts at uniform intervals using the following as a guide: 2 to 5 stations at 2 locations, 6 to 10 stations at 3 locations, 11 to 15 stations at 4 locations, and 16 to 20 stations at 5 locations. In addition, even in the case of a horizontal mounting, if the mounting surface is subject to vibration, etc., take the same measures indicated above. If secured at fewer than the specified number of locations, warping or twisting may occur in the DIN rail and manifold, causing trouble such as air leakage.

When attaching the DIN rail to the bottom (in the L3 dimension) of the manifold valve body using the mounting screws, please use the screws with a head/cap height as shown below.

Type 23,43(10-SY9000): 8mm or less

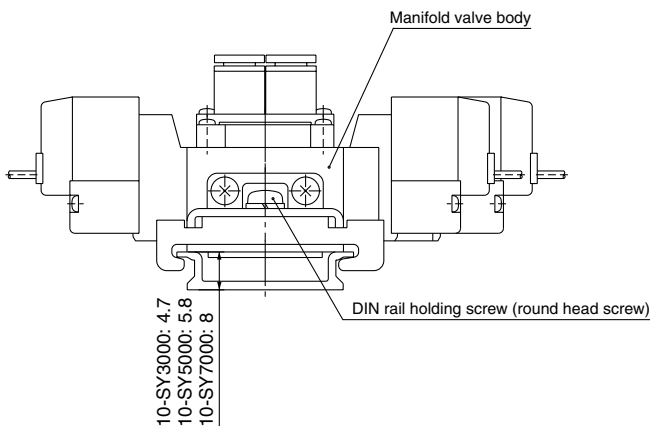
Type 45(10-SY3000,5000):5.8mm or less

Type 60

10-SY3000: 4.7mm or less

10-SY5000: 5.8mm or less

10-SY7000: 8mm or less



[For type 60]

Air cylinder

Rotary actuator

Air gripper

Directional control valve

Flow control equipment

Filter, Pressure control equipment

Fittings & Tubing

Air preparation equipment

Pressure switch

Clean gas filter



Series 10-SY

Specific Product Precautions 7

Be sure to read before handling.

One-touch fittings

⚠ Caution

The pitch for each piping port (P, A, B, etc.) of series 10-SY is determined based on the assumption that Series KJ One-touch fittings will be used. For this reason, other pipe fittings may interfere with each other depending on their type and size. Dimensions should be confirmed in a pipe fitting catalog before they are used.

• Tubing attachment/detachment for One-touch fittings

1. Attaching of tube

1) Cut off a tubing having no flaws on its periphery at a right angle. When cutting the tubing, use tubing cutters TK-1, 2 or 3. Do not use pinchers, nippers or scissors, etc. If cutting is done with tools other than tubing cutters, the tubing may be cut diagonally or become flattened, etc., making a secure installation impossible, and causing problems such as the tubing pulling out after installation or air leakage. Allow some extra length in the tubing.

2) Grasp the tubing and push it in slowly, inserting it securely all the way into the fitting.

3) After inserting the tubing, pull on it lightly to confirm that it will not come out. If it is not installed securely all the way into the fitting, this can cause problems such as air leakage or the tube pulling out.

2. Detaching of tube

1) Push in the release button sufficiently, pushing the collar equally around the circumference.

2) Pull out the tubing while holding down the release button so that it does not come out. If the release button is not pressed down sufficiently, there will be increased bite on the tubing and it will become more difficult to pull it out.

3) When the removed tubing is to be used again, cut off the portion which has been chewed before reusing it. If the chewed portion of the tubing is used as is, this can cause trouble such as air leakage or difficulty in removing the tubing.

• The pitch for each piping port (P, A, B, etc.) of series 10-SY is determined based on the assumption that Series KJ One-touch fittings will be used. For this reason, other pipe fittings may interfere

Other tubing brands

⚠ Caution

1. When using other than SMC brand tubing, confirm that the following specifications are satisfied with respect to the outside diameter tolerance of the tubing.

1) Nylon tubing within ± 0.1 mm

2) Soft nylon tubing within ± 0.1 mm

3) Polyurethane tubing within $+0.15$, within -0.2 mm

Do not use tubing which do not meet these outside diameter tolerances. Such tubing may not be possible to connect, or they may cause other trouble, such as air leakage or the tubing pulling out after connection.

M8 connector

⚠ Caution

1. M8 connector types have an IP65 (enclosure) rating, offering protection from dust and water. However please note that these products are not intended for use in water.

Select a SMC connector cable (V100-49-1-□) or a FA sensor type connector, with M8 threaded 3 pin specifications conforming to Nippon Electric Control Equipment Association Standard, NECA4202 (IEC60947-5-2). Make sure the connector O.D. is 10.5 mm or less when used with the Series 10-SY3000 manifold. If more than 10.5mm, it cannot be mounted due to the size.

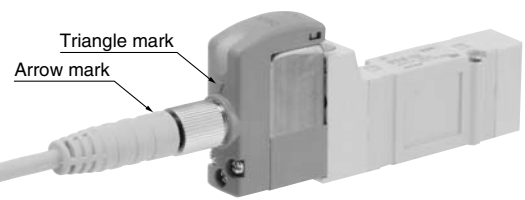
2. Do not use a tool to mount the connector, as this may cause damage. Only tighten by hand. (0.4 to 0.6N·m)

3. Do not apply force over 30N to the connector cable since IP65 cannot be satisfied.

⚠ Caution

Failure to meet IP65 performance may result if using alternative connectors than those shown above, or when insufficiently tightened.

• Connector cable mounting



Note) Connector cable should be mounted in the correct direction. Make sure that the arrow symbol on the connector is facing the triangle symbol on the valve when using SMC connector cable (V100-49-1-□).

Be careful not to squeeze it in the wrong direction, as problems such as pin damage may occur.



10-SY Series

Specific Product Precautions 8

Be sure to read before handling.

M8 connector

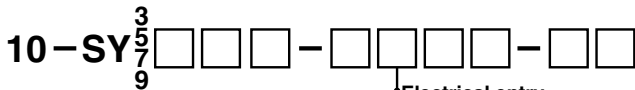
⚠ Caution

■ Connector cable

Connector cable for M8 can be ordered as follows:

How to Order

- To order solenoid valve and connector cable at the same time. (Connector cable will be included in the shipment of the solenoid valve.)



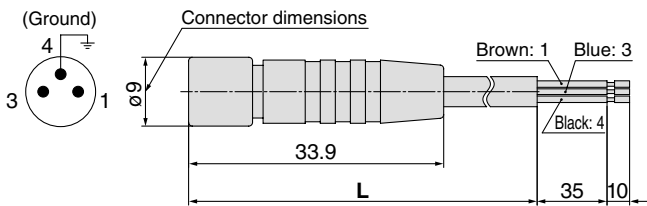
Electrical entry

- W1: Cable length 300 mm
- W2: Cable length 500 mm
- W3: Cable length 1000 mm
- W4: Cable length 2000 mm
- W7: Cable length 5000 mm

(Example 1) Cable length 300 mm
10-SY312-5W1ZE-C4

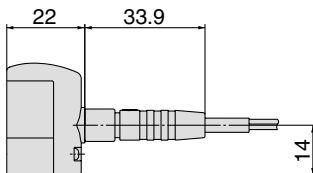
Symbol for electrical entry

- To order connector cable only



Cable length (L)	Part no.
300mm	V100-49-1-1
500mm	V100-49-1-2
1000mm	V100-49-1-3
2000mm	V100-49-1-4
5000mm	V100-49-1-7

[Dimension when installed]



Solenoid valve mounting

⚠ Caution

Mount it so that there is no slippage or deformation in gaskets, and tighten with the tightening torque as shown below.

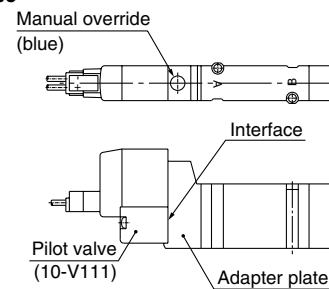
Model	Thread size	Tightening torque
10-SY3000	M2	0.16N·m
10-SY5000	M3	0.8N·m
10-SY7000	M4	1.4N·m
10-SY9000	M3	0.8N·m

Replacement of pilot valve

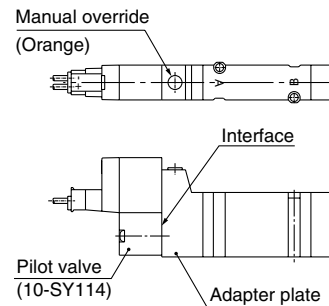
⚠ Caution

Pilot valves in this series are improved to provide excellent energy saving results. However following this improvement, these new valves are no longer compatible with the conventional pilot valve used at the interface. Please consult with SMC when you need to exchange these pilot valves, in the case of manual override (marked in orange) of the adapter plate.

New type



Conventional type



Air cylinder

Rotary actuator

Air gripper

Directional control valve

Flow control equipment

Filter, Pressure control equipment

Fittings & Tubing

Air preparation equipment

Pressure switch

Clean gas filter